



US00D627612S

(12) **United States Design Patent**
Falk et al.

(10) **Patent No.:** **US D627,612 S**

(45) **Date of Patent:** **** Nov. 23, 2010**

(54) **STACKABLE UNIT**

(76) Inventors: **Avner Falk**, 2B Mohaliver Street, Yahud (IL) 56209; **Yael Falk**, 2B Mohaliver Street, Yahud (IL) 56209

(**) Term: **14 Years**

(21) Appl. No.: **29/344,597**

(22) Filed: **Sep. 30, 2009**

(51) **LOC (9) Cl.** **07-06**

(52) **U.S. Cl.** **D7/708; D7/619.1**

(58) **Field of Classification Search** D7/601–602, D7/701, 703, 708, 619.1, 620; D9/501, 517, D9/434, 455–456, 499; D34/28, 38; D6/449, D6/475; 211/74; 206/427, 429, 433, 503
See application file for complete search history.

(56) **References Cited**

U.S. PATENT DOCUMENTS

D219,956 S * 2/1971 Clemens D9/456
D233,817 S * 12/1974 Mathews et al. D7/619.1
4,832,196 A * 5/1989 Butler 206/391
D329,963 S * 10/1992 Schneider D7/387
D336,408 S * 6/1993 Tersch et al. D7/619.1
D431,427 S * 10/2000 Syvuk et al. D7/708
D470,053 S * 2/2003 Gratz D9/456

FOREIGN PATENT DOCUMENTS

IL 44780 8/2007

* cited by examiner

Primary Examiner—Ian Simmons

Assistant Examiner—Dana L Sipos

(74) *Attorney, Agent, or Firm*—The Law Office of Michael E. Kondoudis

(57) **CLAIM**

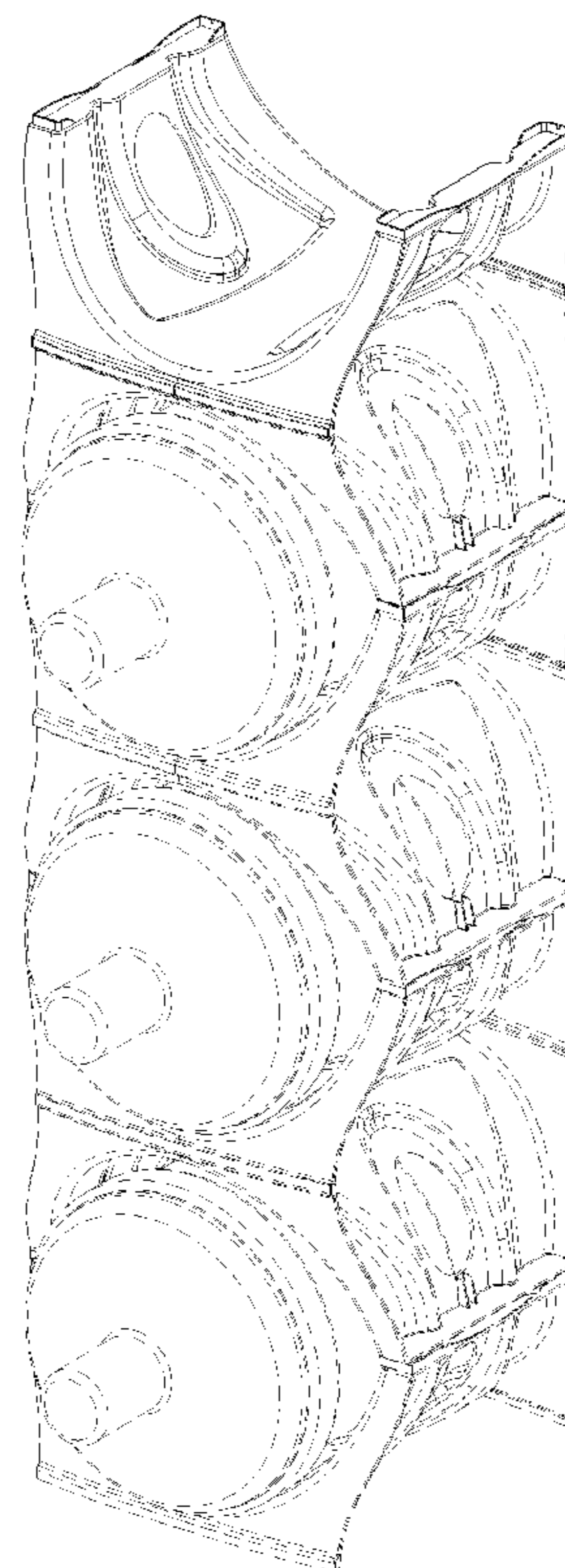
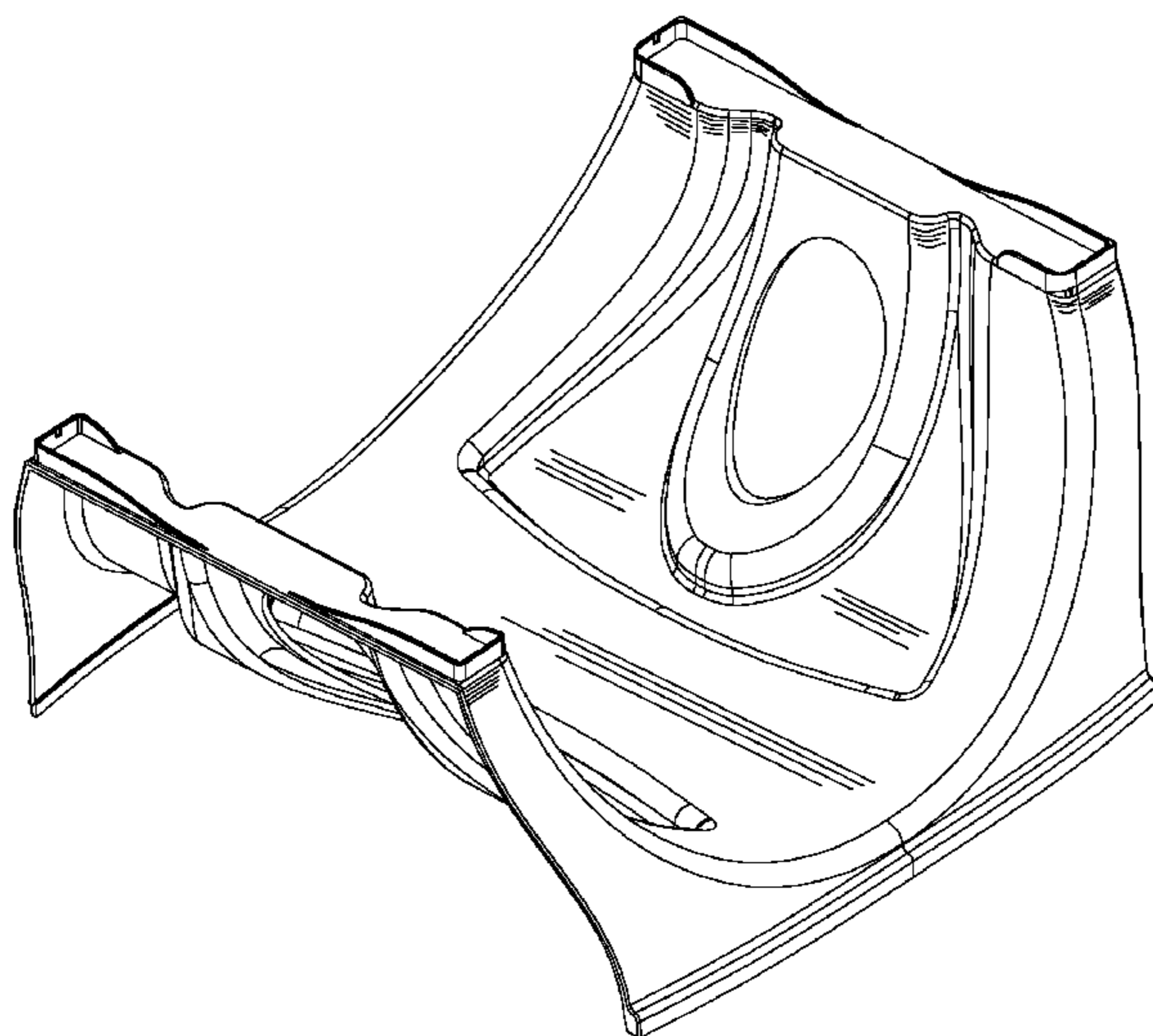
The ornamental design for a stackable unit, as shown and described.

DESCRIPTION

FIG. 1 is a perspective view of a stackable unit;
FIG. 2 is a front view of the stackable unit of FIG. 1;
FIG. 3 is a right-side view of the stackable unit of FIG. 1;
FIG. 4 is a top plan view of the stackable unit of FIG. 1;
FIG. 5 is bottom plan view of the stackable unit of FIG. 1; and,
FIG. 6 is a perspective view of the stackable unit of FIG. 1, the broken lines showing additional racks and bottles for illustrative purposes only.

The rear view of the stackable unit of FIG. 1 is a mirror image of the front view of FIG. 2. The left-side view of the stackable unit of FIG. 1 is a mirror image of the right-side view of FIG. 3.

1 Claim, 6 Drawing Sheets



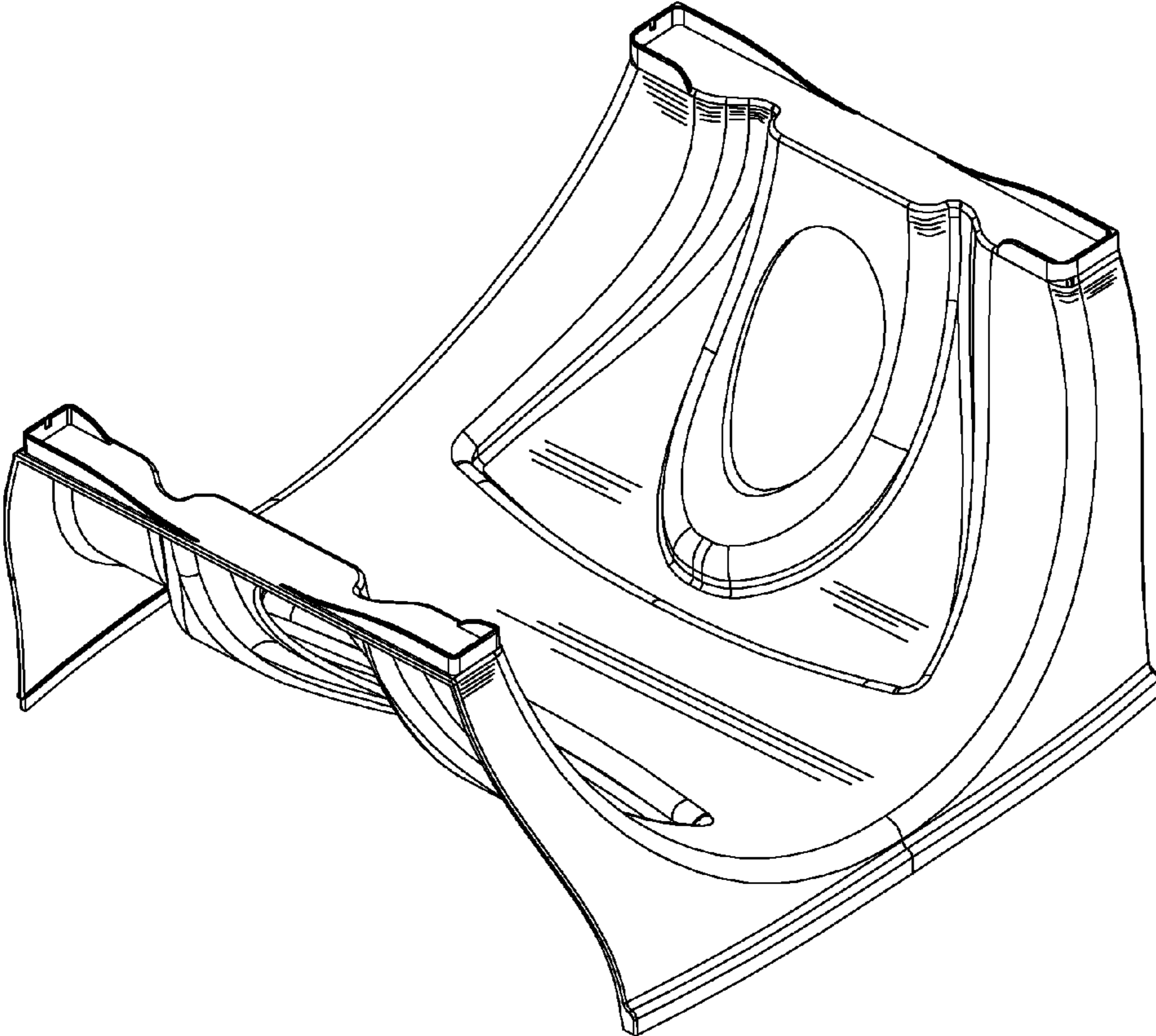


FIG. 1

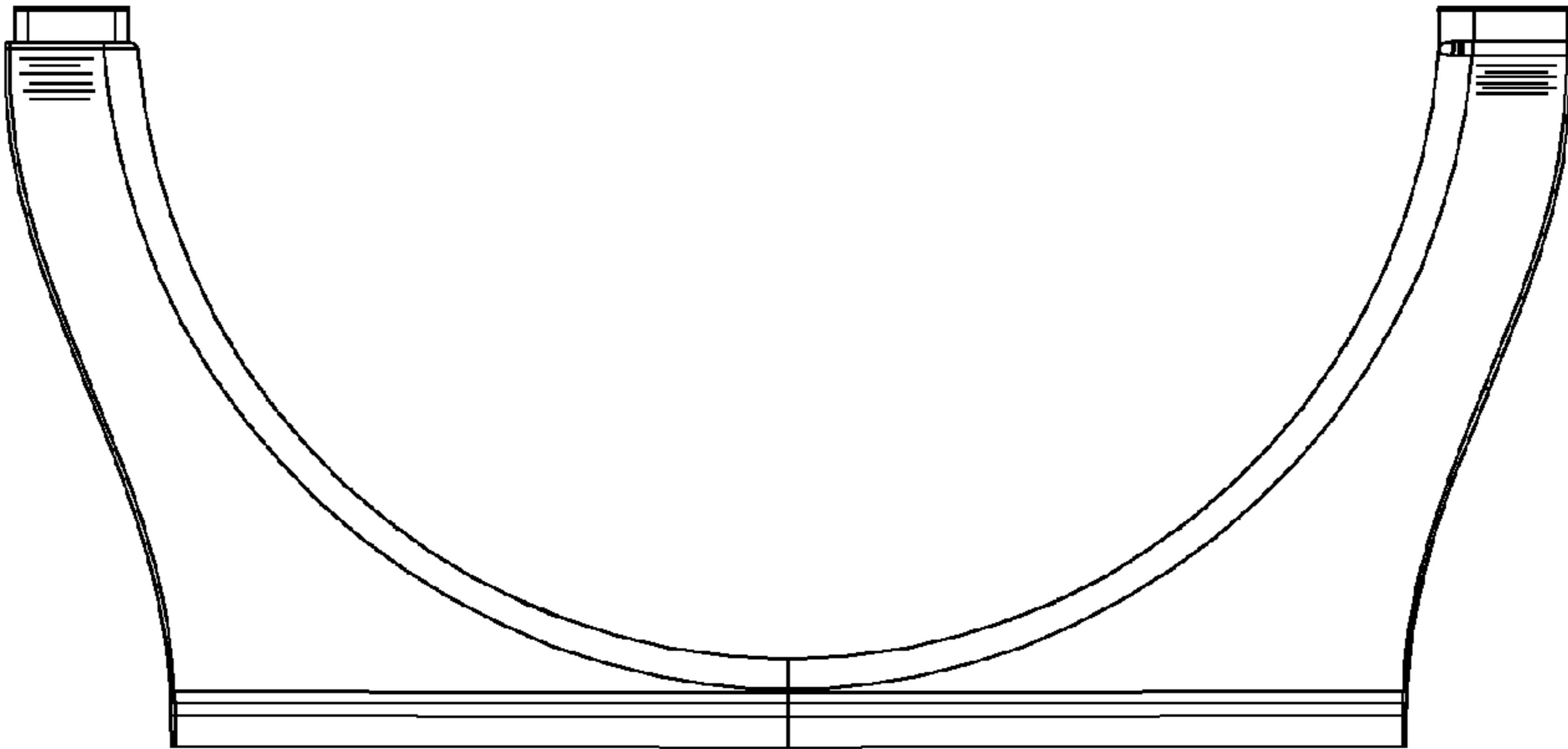


FIG. 2

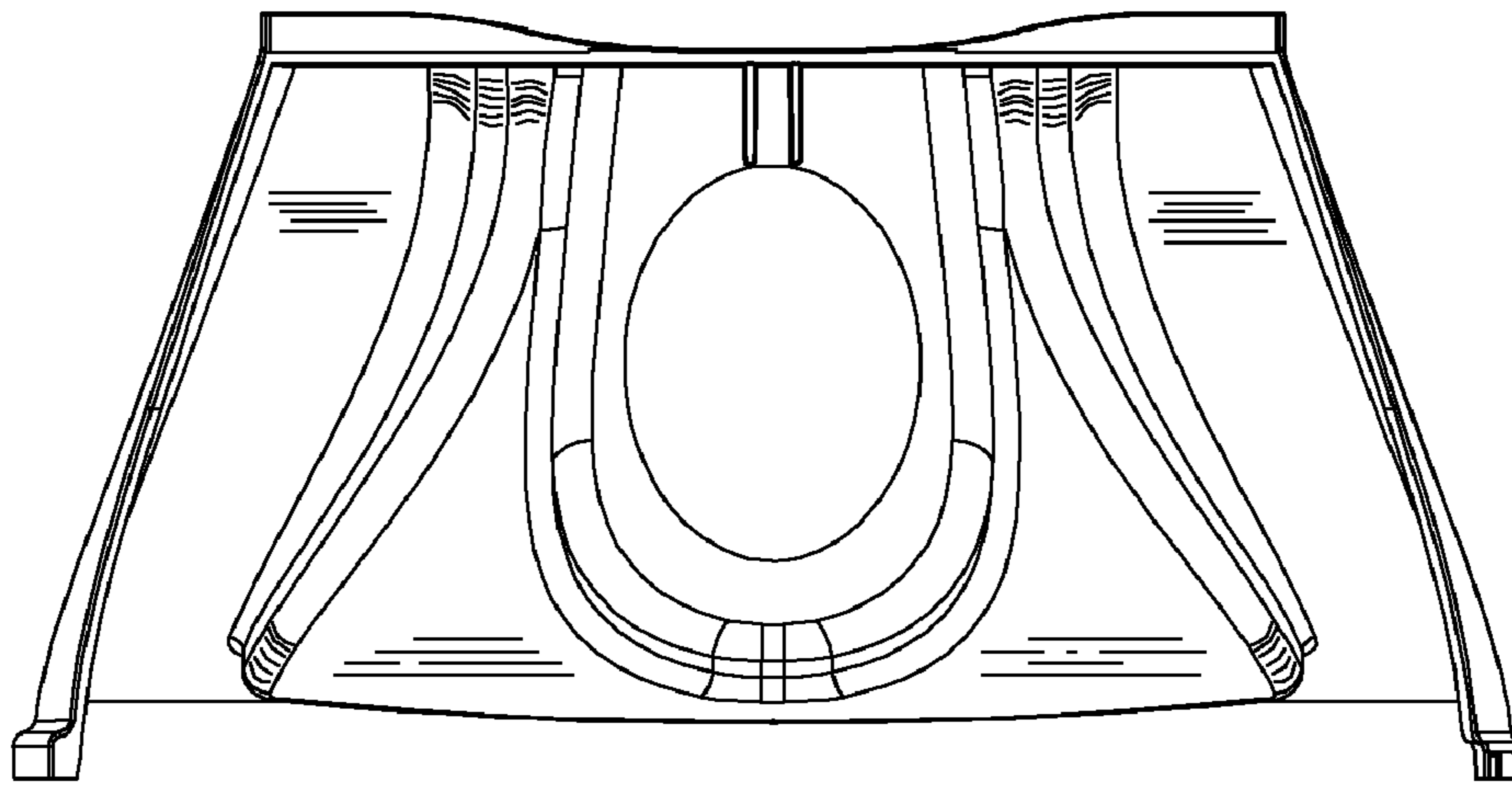


FIG. 3

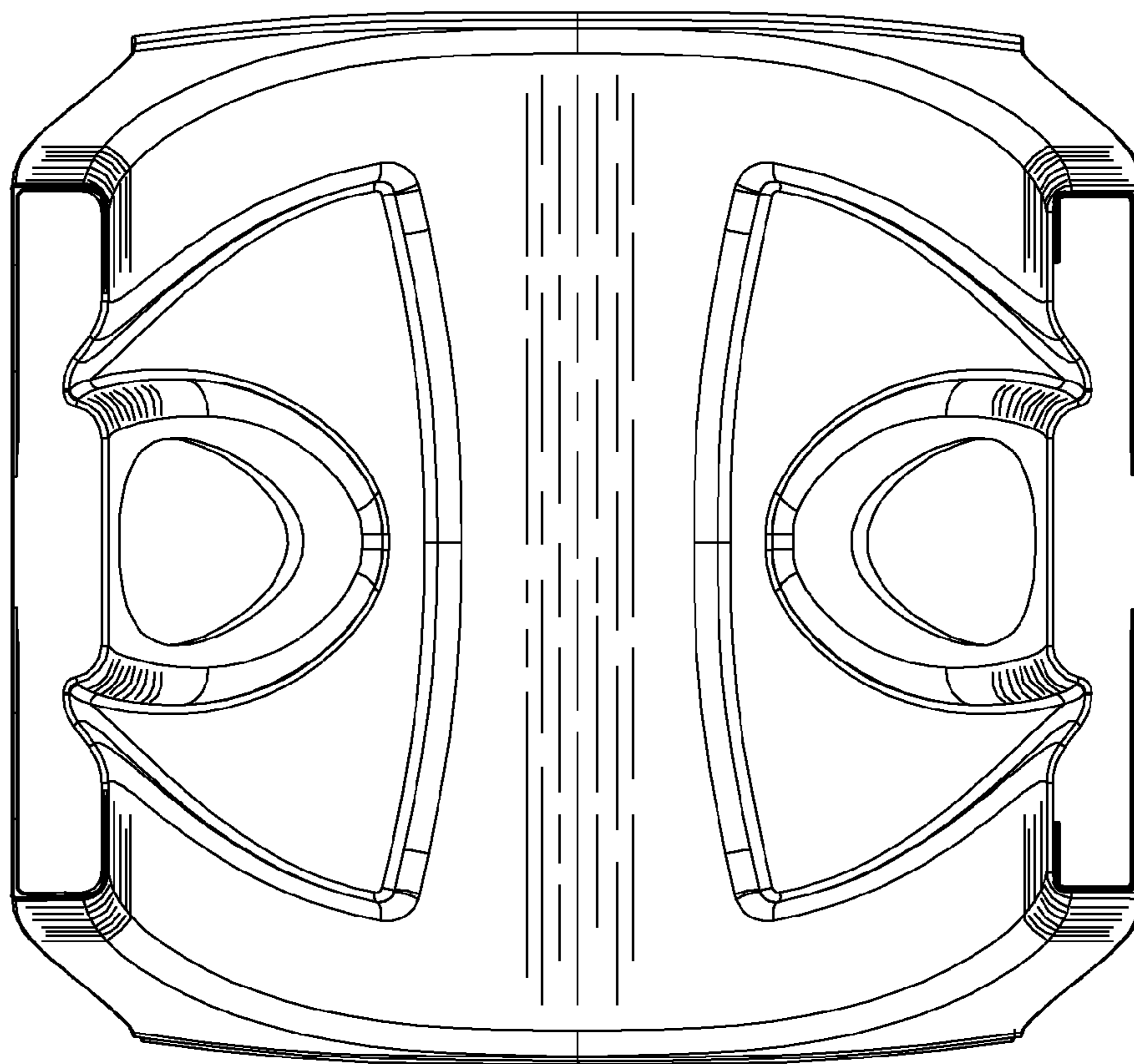


FIG. 4

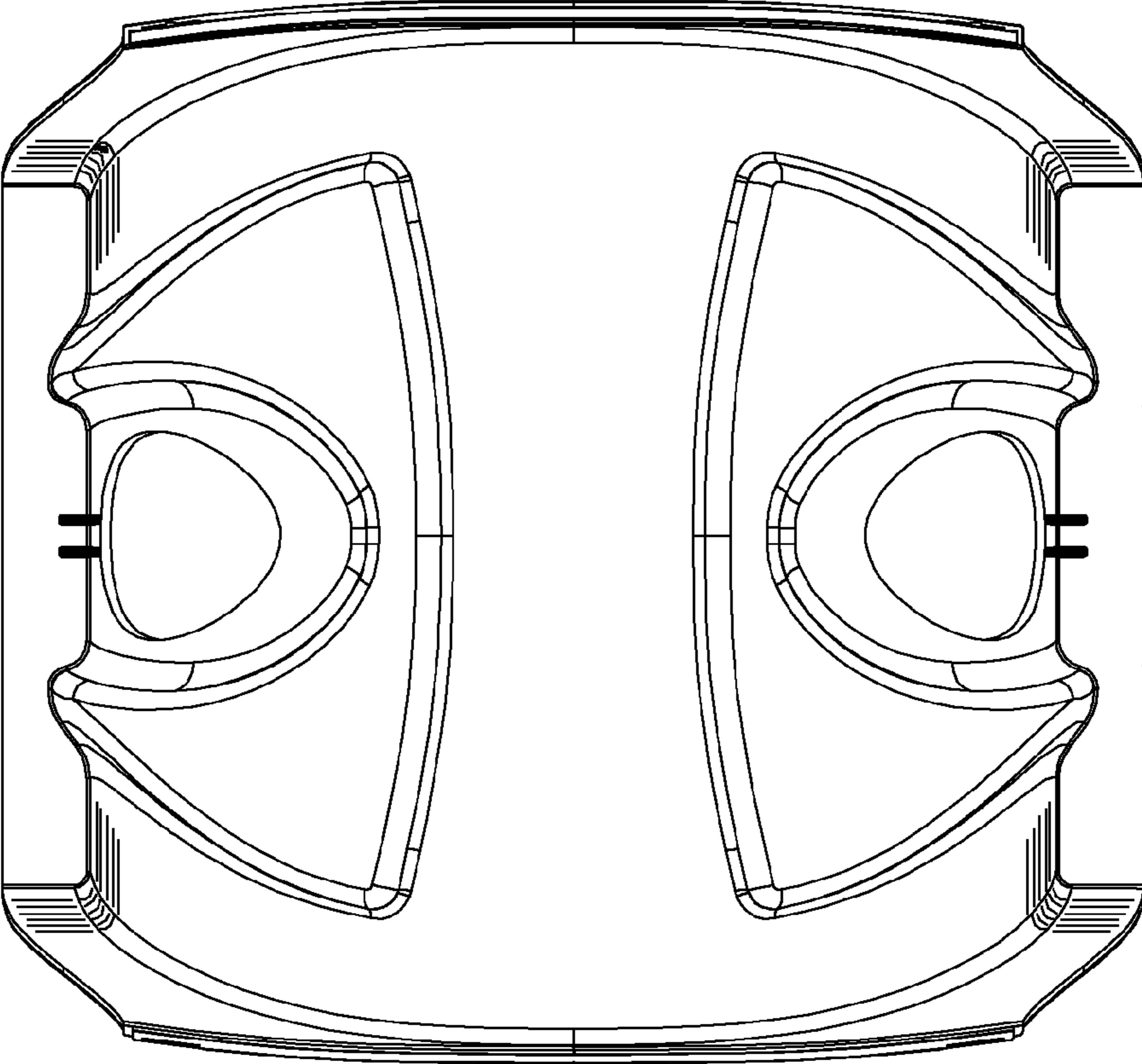


FIG. 5

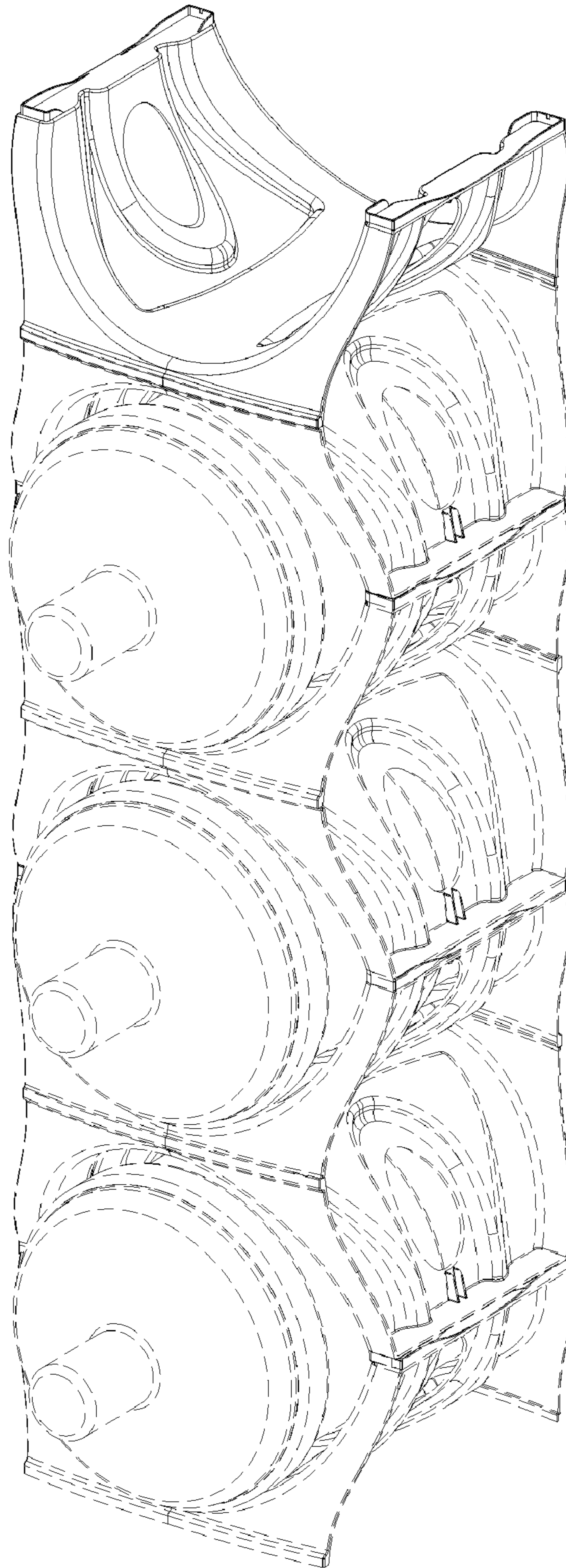


FIG. 6