

US00D627611S

(12) **United States Design Patent**
Cash

(10) **Patent No.:** **US D627,611 S**

(45) **Date of Patent:** **** Nov. 23, 2010**

(54) **WINE RACK**

(76) **Inventor:** **James M Cash**, 500 Kedzie St., East
Lansing, MI (US) 48823

(**) **Term:** **14 Years**

(21) **Appl. No.:** **29/351,505**

(22) **Filed:** **Dec. 7, 2009**

(51) **LOC (9) Cl.** **06-04**

(52) **U.S. Cl.** **D7/707; D6/462**

(58) **Field of Classification Search** D7/701-708,
D7/600.1-600.4; D6/458, 462, 556, 566;
211/181.1, 163, 144, 36, 74, 75, 70.6, 70.7,
211/13.1

See application file for complete search history.

(56) **References Cited**

U.S. PATENT DOCUMENTS

D207,191 S *	3/1967	Kearns	D6/450
D240,101 S *	6/1976	Redler	D6/458
3,963,126 A *	6/1976	Taub	211/131.1
4,858,772 A *	8/1989	Phillipson	211/36

D325,382 S *	4/1992	Pepall	D14/196
5,562,216 A *	10/1996	Falconio	211/33
6,502,707 B1 *	1/2003	Sullivan	211/163
D527,205 S *	8/2006	Axhamre	D6/458
D541,603 S *	5/2007	Anker	D7/704

* cited by examiner

Primary Examiner—Terry A Wallace

(74) *Attorney, Agent, or Firm*—Fitch, Even, Tabin & Flannery; John M. Naber

(57) **CLAIM**

The ornamental design for a wine rack, as shown and described.

DESCRIPTION

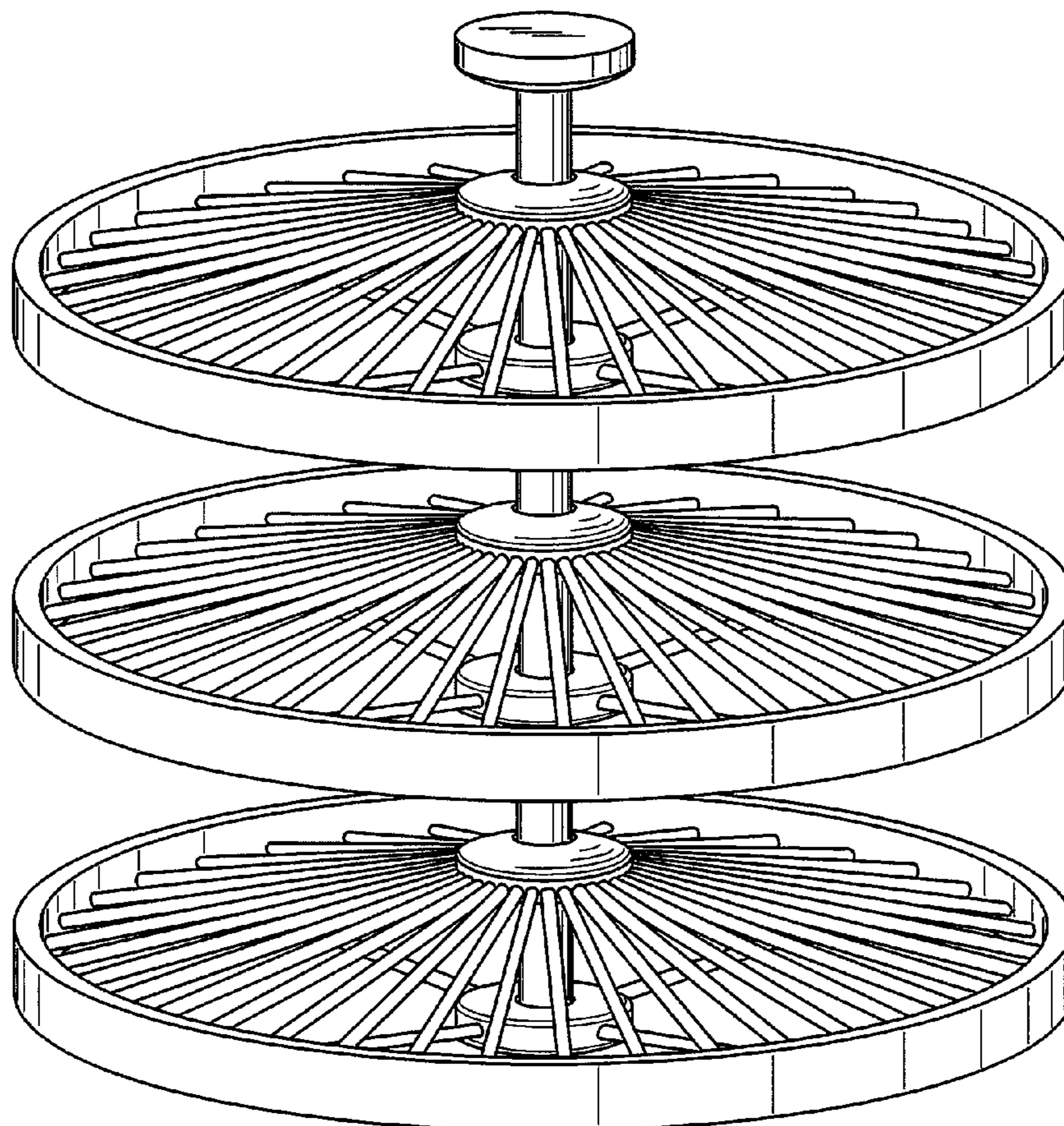
FIG. 1 is a perspective view of a wine rack of the present invention.

FIG. 2 is a side view thereof.

FIG. 3 is a top view thereof; and,

FIG. 4 is a bottom view thereof.

1 Claim, 4 Drawing Sheets



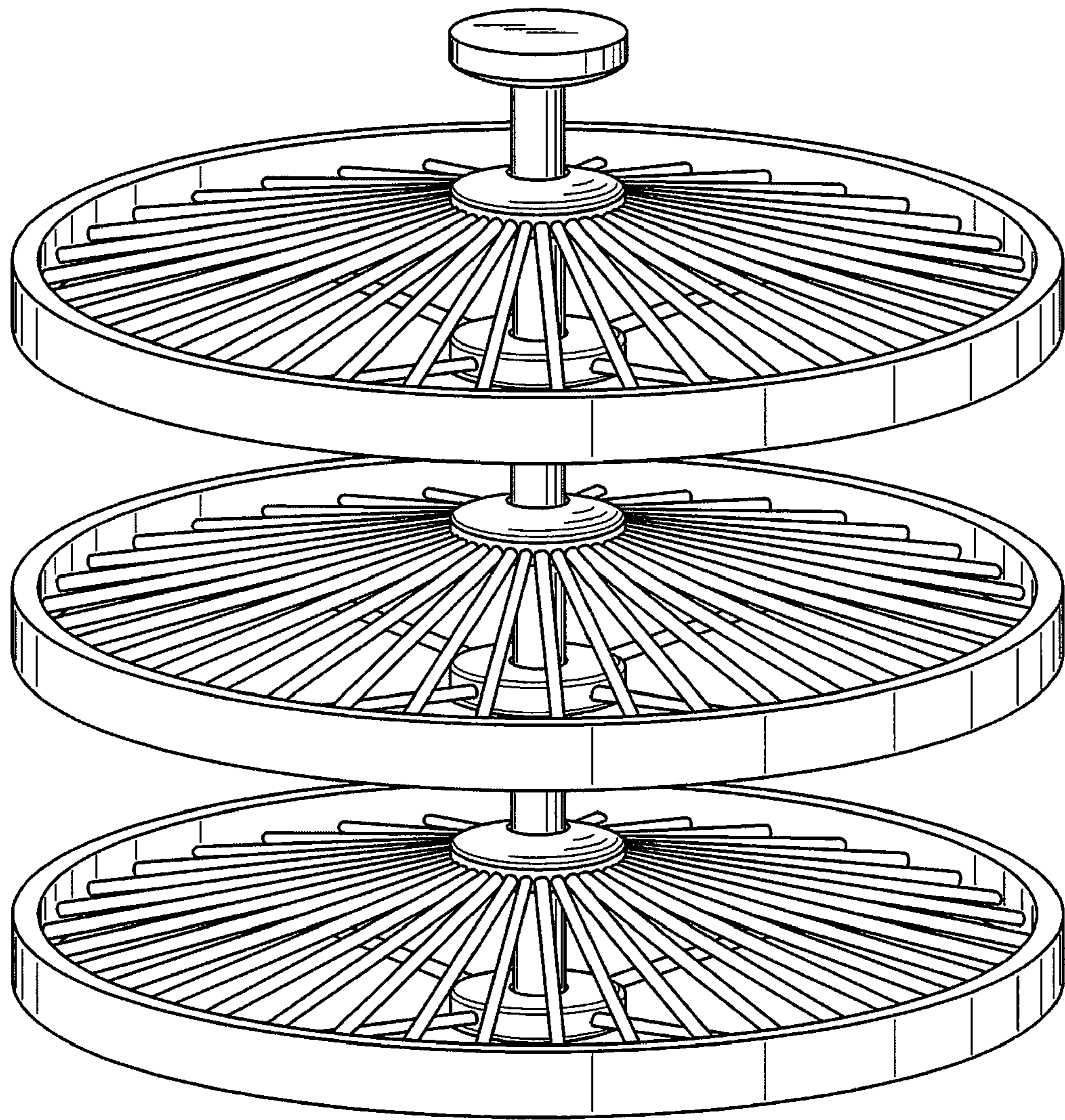


FIGURE 1

FIGURE 2

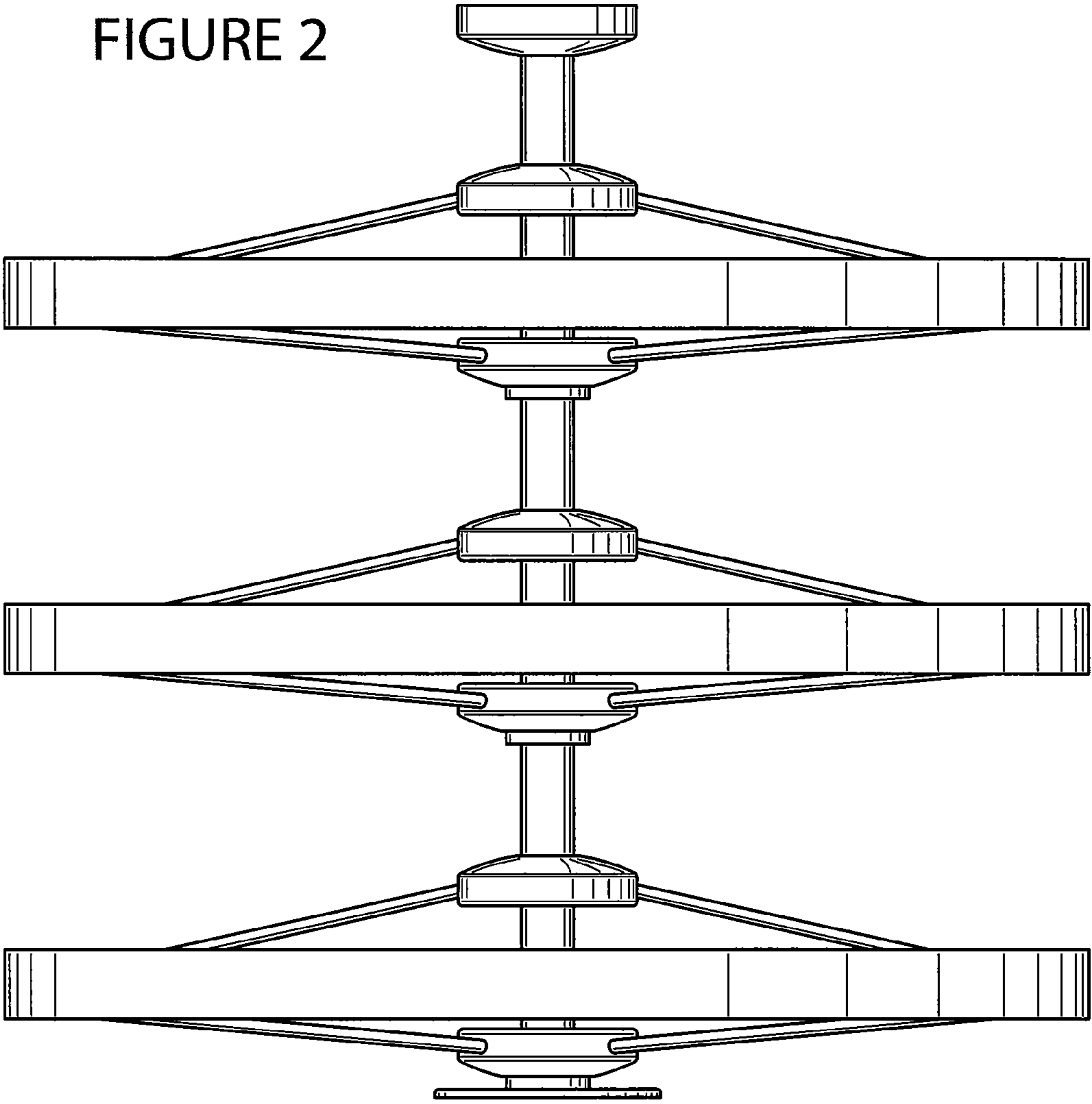


FIGURE 3

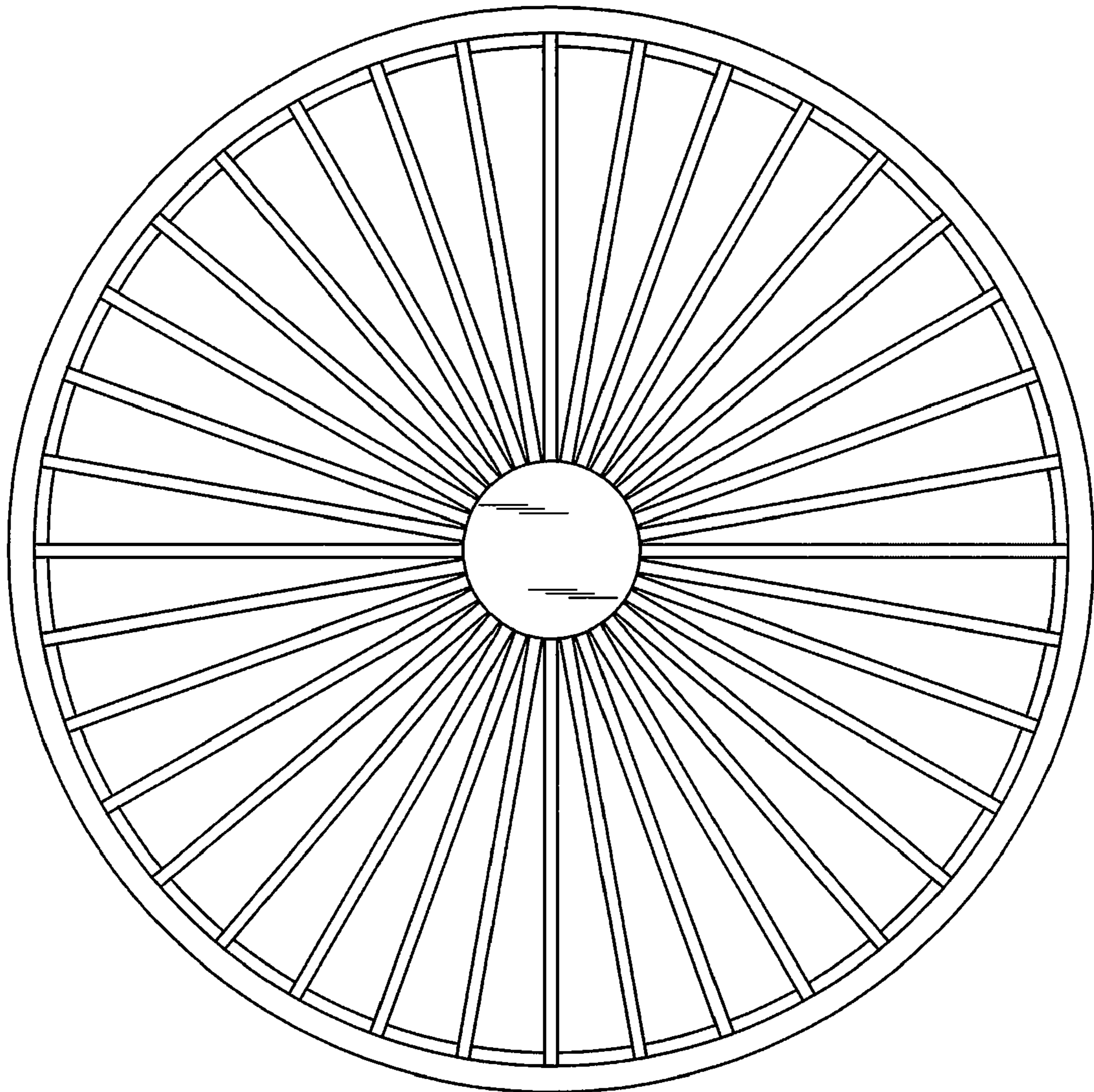


FIGURE 4

