



US00D627607S

(12) **United States Design Patent**
Roth et al.

(10) **Patent No.:** **US D627,607 S**

(45) **Date of Patent:** **** Nov. 23, 2010**

(54) **CONTAINER**

(76) Inventors: **Donna Roth**, 10 Cordage Park Cir.,
Suite 212, Plymouth, MA (US) 02360;
Henry Roth, 10 Cordage Park Cir., Suite
212, Plymouth, MA (US) 02360

(**) Term: **14 Years**

(21) Appl. No.: **29/355,092**

(22) Filed: **Feb. 2, 2010**

Related U.S. Application Data

(62) Division of application No. 29/321,202, filed on Jul.
11, 2008, now Pat. No. Des. 609,058.

(51) **LOC (9) Cl.** **07-07**

(52) **U.S. Cl.** **D7/629**

(58) **Field of Classification Search** D7/538-542,
D7/602, 629, 612-615; 220/574-575, 780-806;
D9/424, 428

See application file for complete search history.

(56) **References Cited**

U.S. PATENT DOCUMENTS

D285,638 S *	9/1986	Trivison	D7/557
D304,658 S *	11/1989	Mattei	D7/505
D344,660 S *	3/1994	Krupa	D7/629
5,441,164 A *	8/1995	Beck et al.	220/575
D447,917 S *	9/2001	Miller et al.	D7/629

D449,966 S *	11/2001	DeMars	D7/555
6,550,630 B1 *	4/2003	Krupa	220/575
D486,991 S *	2/2004	Lee	D7/357
D557,992 S *	12/2007	Stamper et al.	D7/629
D597,796 S *	8/2009	Roth et al.	D7/629

* cited by examiner

Primary Examiner—Terry A Wallace

(74) *Attorney, Agent, or Firm*—Steven M. Jensen; Edwards
Angell Palmer & Dodge LLP

(57) **CLAIM**

We claim a new ornamental design for a container, as shown
and described.

DESCRIPTION

FIG. 1 is a perspective view of a container showing our new
design.

FIG. 2 is a front elevation view thereof.

FIG. 3 is a left side elevation view thereof, the right side being
a mirror image.

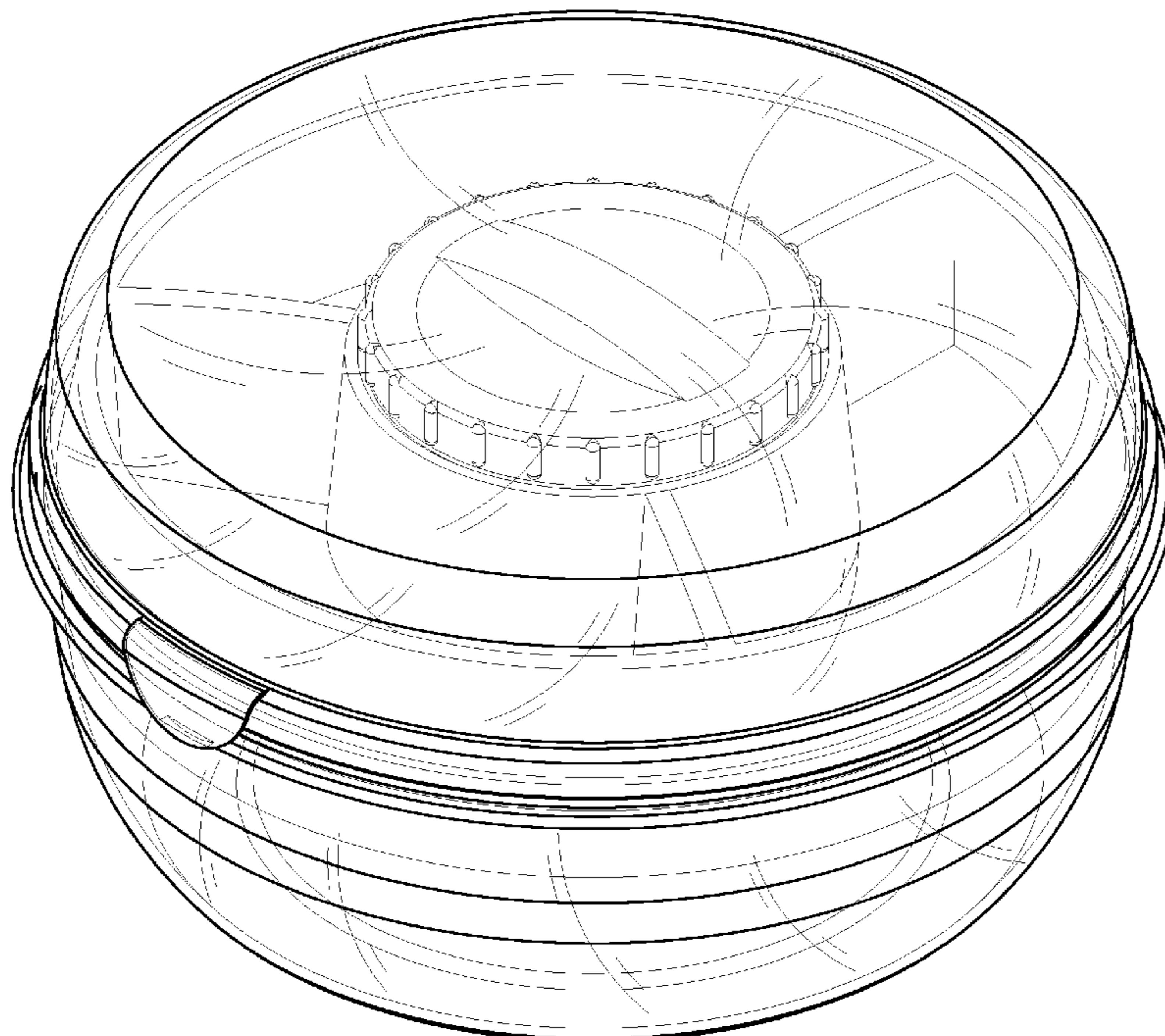
FIG. 4 is a top plan view thereof.

FIG. 5 is a rear elevation view thereof; and,

FIG. 6 is a bottom plan view thereof.

The dashed lines in FIGS. 1-6 represent environment and are
for illustrative purposes only and do not constitute part of the
claimed design.

1 Claim, 5 Drawing Sheets



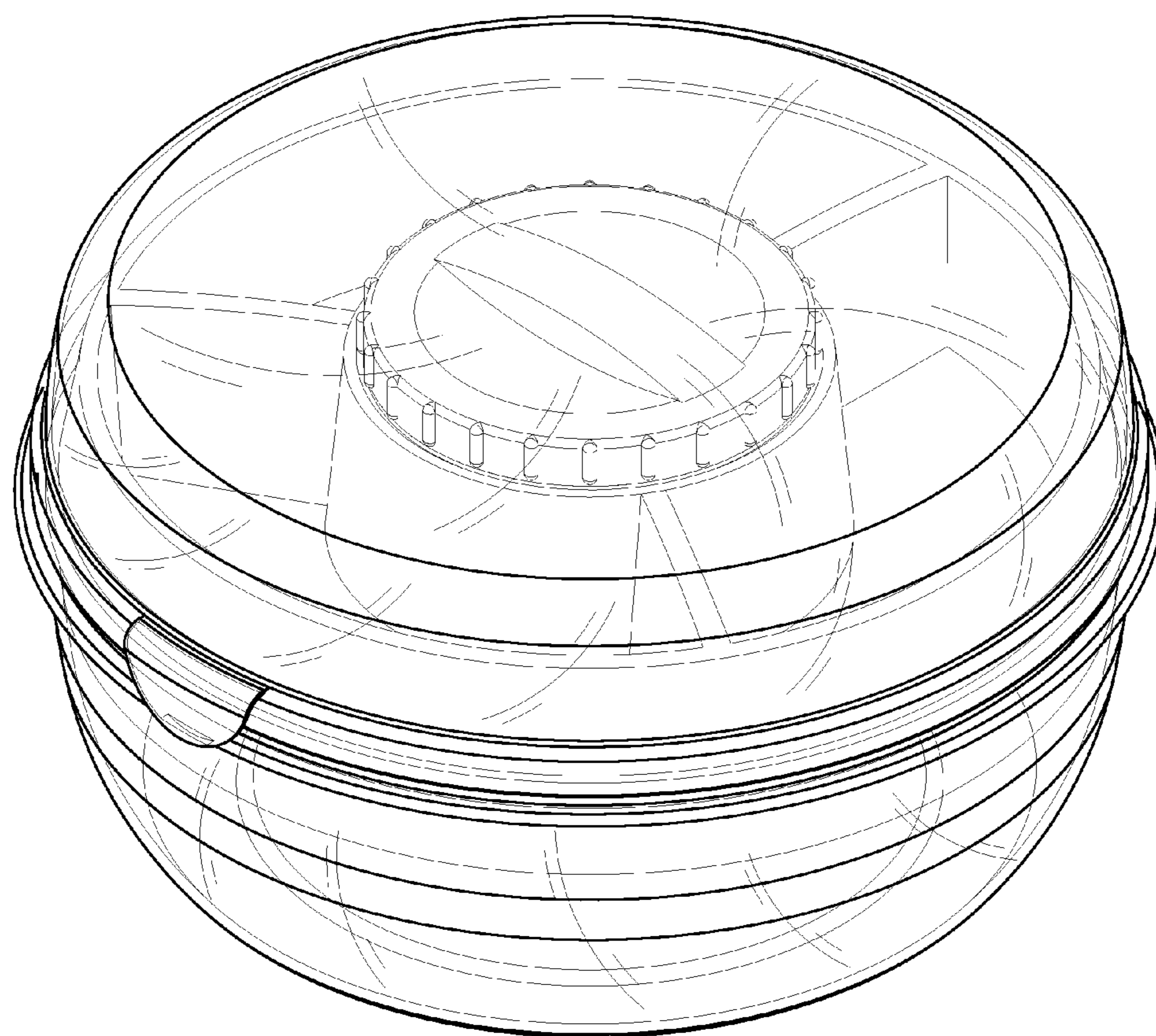


FIG. 1

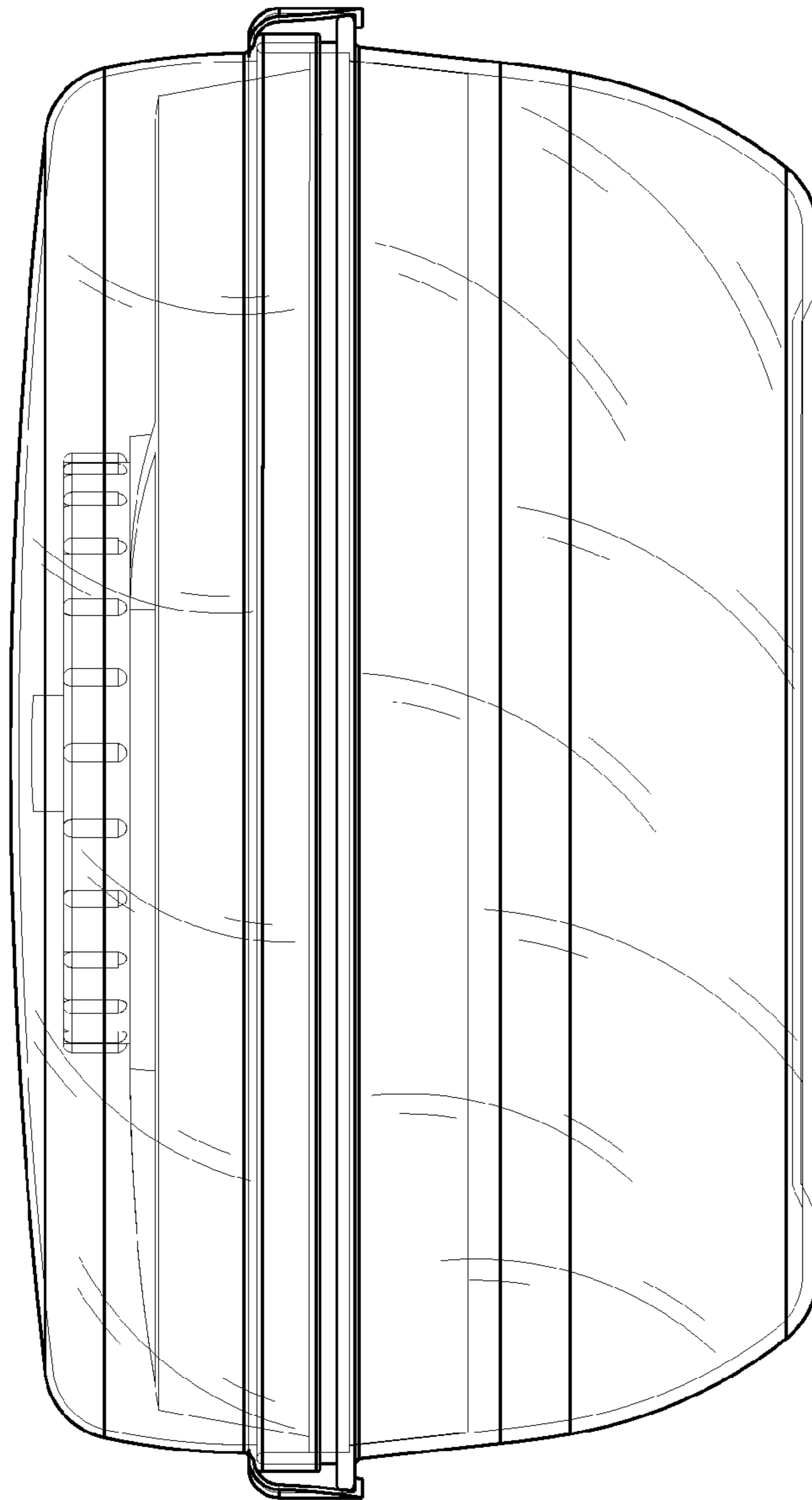


FIG. 2

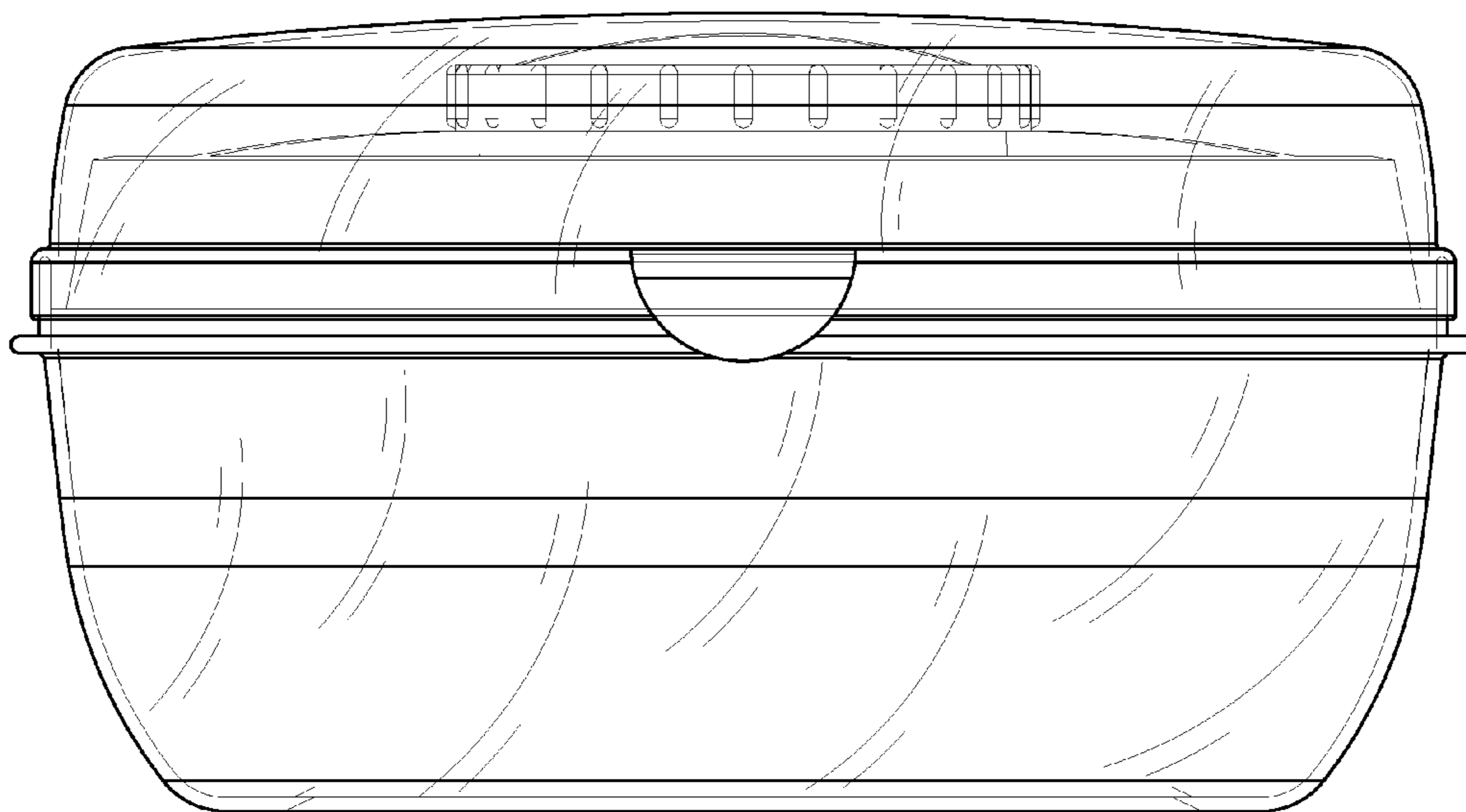


FIG. 3

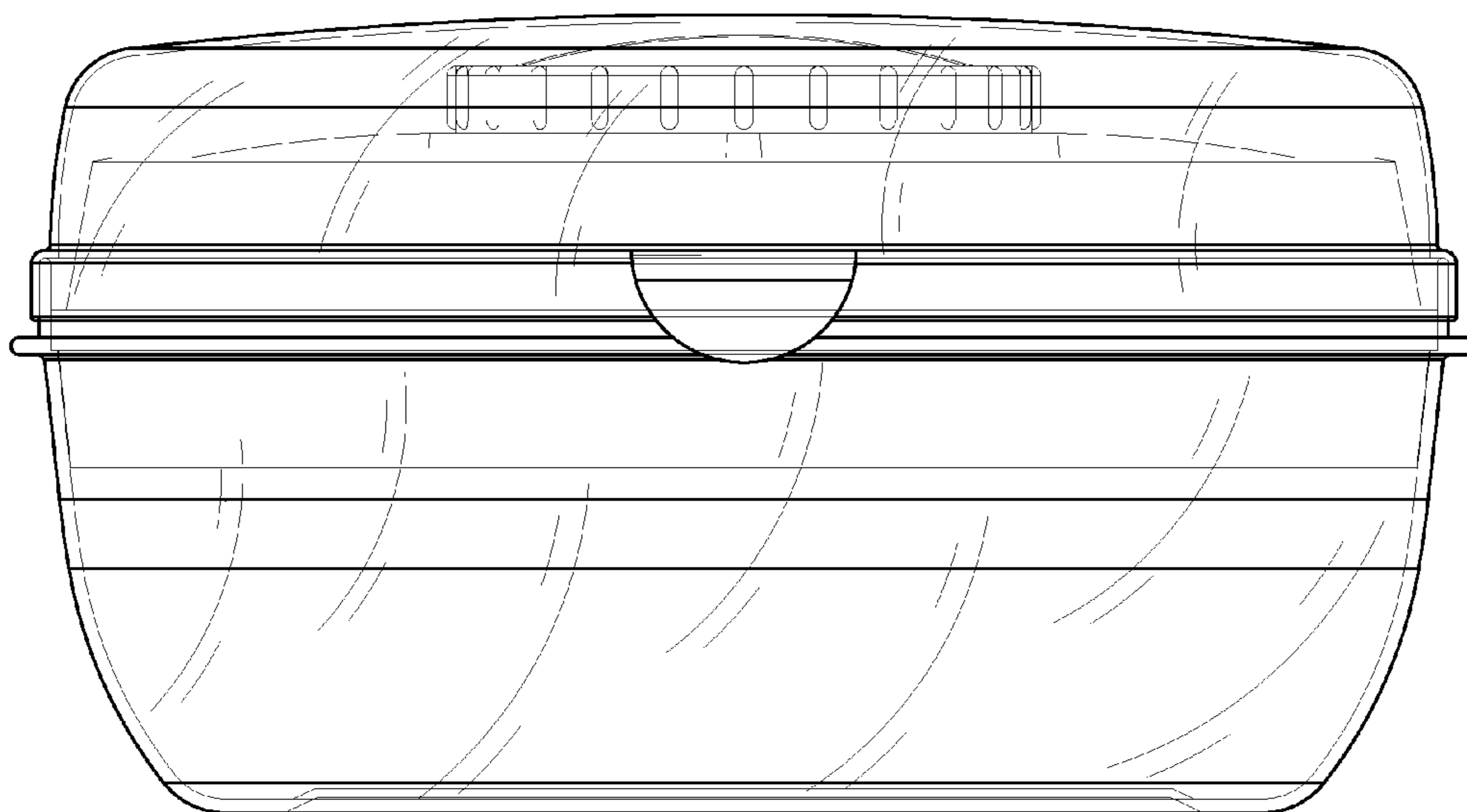


FIG. 5

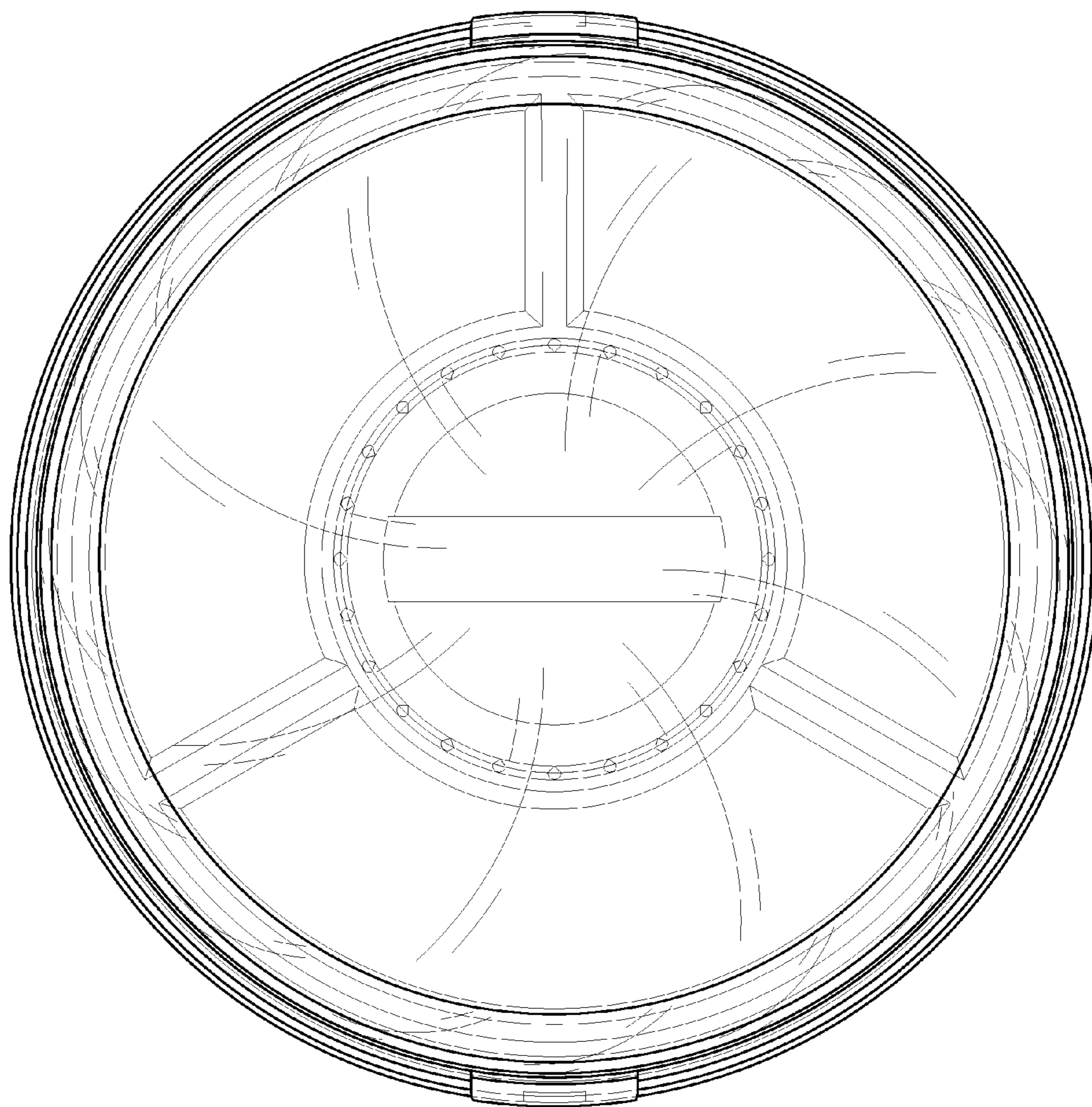


FIG. 4

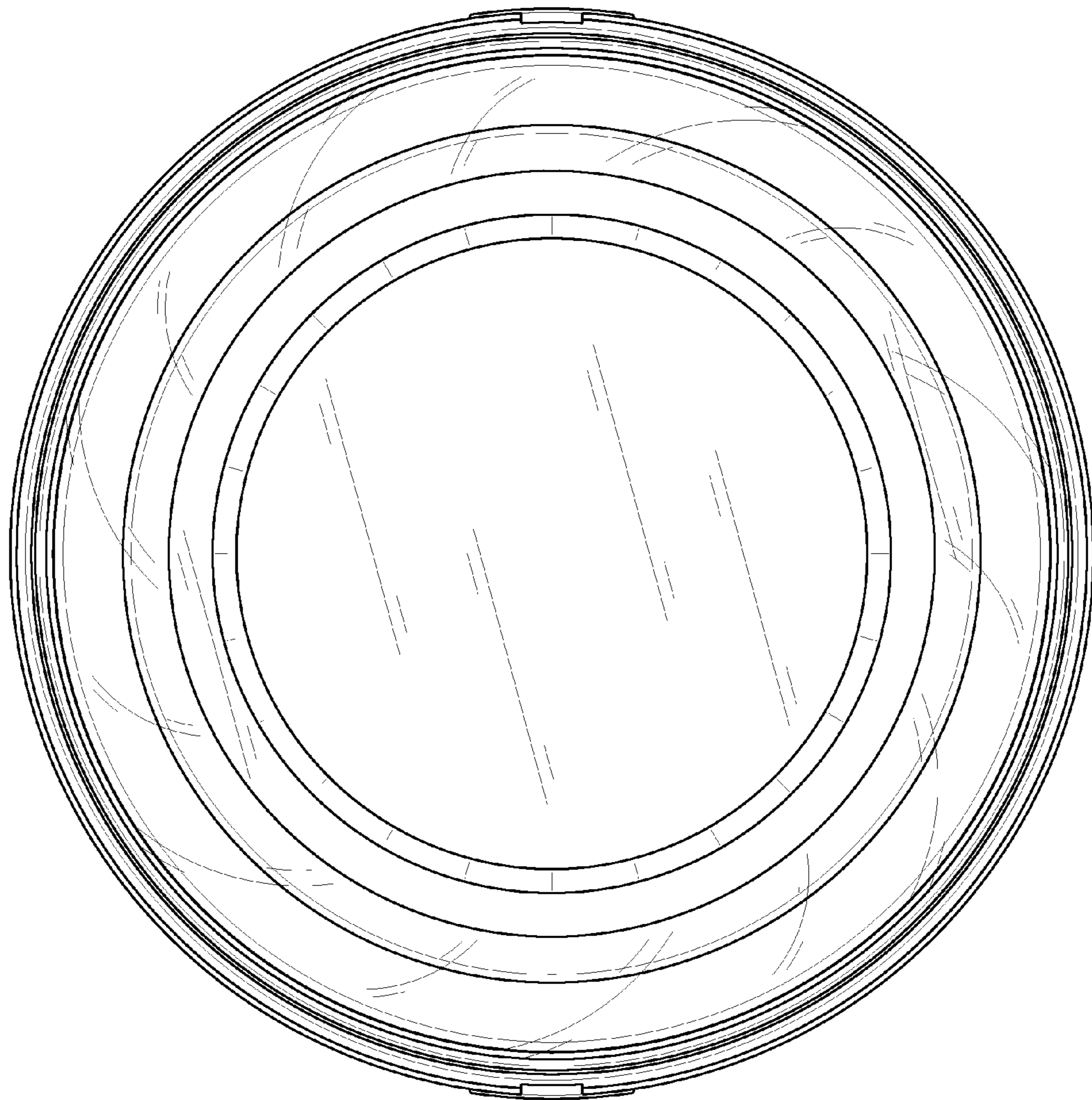


FIG. 6