



US00D627606S

(12) **United States Design Patent**
Chuang

(10) **Patent No.:** **US D627,606 S**
(45) **Date of Patent:** **** Nov. 23, 2010**

(54) **FOOD CARRIER BAG**

(76) Inventor: **Susan Su-Ing Chuang**, 161 N. Martel Ave., Los Angeles, CA (US) 90036-2715

(**) Term: **14 Years**

(21) Appl. No.: **29/360,112**

(22) Filed: **Apr. 20, 2010**

Related U.S. Application Data

(63) Continuation of application No. 29/327,218, filed on Oct. 31, 2008, now Pat. No. Des. 614,000.

(51) **LOC (9) Cl.** **07-99**

(52) **U.S. Cl.** **D7/601; D7/709**

(58) **Field of Classification Search** D7/601, D7/602, 605-608, 624.2, 624.3, 625; D3/202, D3/229; 224/220, 236, 148; 220/737, 739, 220/902, 903, 915.1, 915.2; 383/97, 110, 383/113

See application file for complete search history.

(56) **References Cited**

U.S. PATENT DOCUMENTS

4,802,602 A * 2/1989 Evans et al. 220/739

(Continued)

Primary Examiner—Terry A Wallace

(74) *Attorney, Agent, or Firm*—Knobbe, Martens, Olson & Bear, LLP

(57) **CLAIM**

The ornamental design for a food carrier bag, as shown and described.

DESCRIPTION

FIG. 1 is a top, front, and right side perspective view of an embodiment of a food carrier bag embodying my new design.

FIG. 2 is a front elevation view of the embodiment of FIG. 1.

FIG. 3 is a rear elevation view of the embodiment of FIG. 1.

FIG. 4 is a right side view of the embodiment of FIG. 1.

FIG. 5 is a left side view of the embodiment of FIG. 1.

FIG. 6 is a top plan view of the embodiment of FIG. 1.

FIG. 7 is a bottom plan of the embodiment of FIG. 1.

FIG. 8 is a top, front, and right side perspective view of a second embodiment of a food carrier bag embodying my new design.

FIG. 9 is a front elevation view of the embodiment of FIG. 8.

FIG. 10 is a rear elevation view of the embodiment of FIG. 8.

FIG. 11 is a right side view of the embodiment of FIG. 8.

FIG. 12 is a left side view of the embodiment of FIG. 8.

FIG. 13 is a top plan view of the embodiment of FIG. 8.

FIG. 14 is a bottom plan of the embodiment of FIG. 8.

FIG. 15 is a top, front, and right side perspective view of a third embodiment of a food carrier bag embodying my new design.

FIG. 16 is a front elevation view of the embodiment of FIG. 15.

FIG. 17 is a rear elevation view of the embodiment of FIG. 15.

FIG. 18 is a right side view of the embodiment of FIG. 15.

FIG. 19 is a left side view of the embodiment of FIG. 15.

FIG. 20 is a top plan view of the embodiment of FIG. 15.

FIG. 21 is a bottom plan of the embodiment of FIG. 15.

FIG. 22 is a top, front, and right side perspective view of a fourth embodiment of a food carrier bag embodying my new design.

FIG. 23 is a front elevation view of the embodiment of FIG. 22.

FIG. 24 is a rear elevation view of the embodiment of FIG. 22.

FIG. 25 is a right side view of the embodiment of FIG. 22.

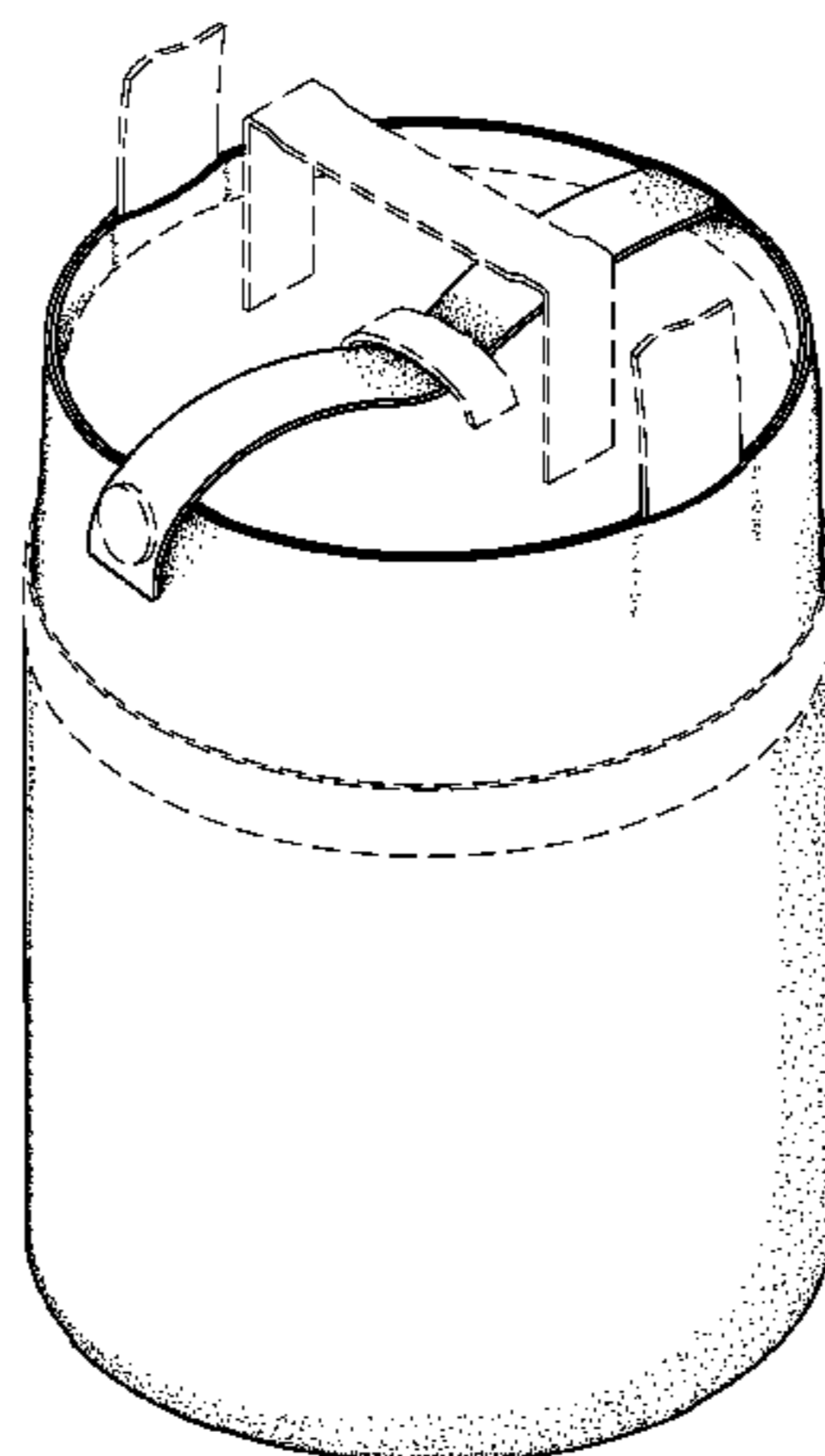
FIG. 26 is a left side view of the embodiment of FIG. 22.

FIG. 27 is a top plan view of the embodiment of FIG. 22; and,

FIG. 28 is a bottom plan of the embodiment of FIG. 22.

Shown in phantom lines are features of the food carrier bag which form no part of the claimed design.

1 Claim, 28 Drawing Sheets



US D627,606 S

Page 2

U.S. PATENT DOCUMENTS

| | | | | | |
|------------|---|---------|-------------------------|----------|---------------------|
| D325,494 S | * | 4/1992 | Gentry | D7/608 | |
| D398,195 S | * | 9/1998 | Rausch | D7/624.3 | |
| D414,930 S | * | 10/1999 | Rausch | D3/229 | * cited by examiner |
| D415,390 S | * | 10/1999 | Winnington-Ingram | D7/507 | |
| D548,541 S | * | 8/2007 | Jackson | D7/640 | |

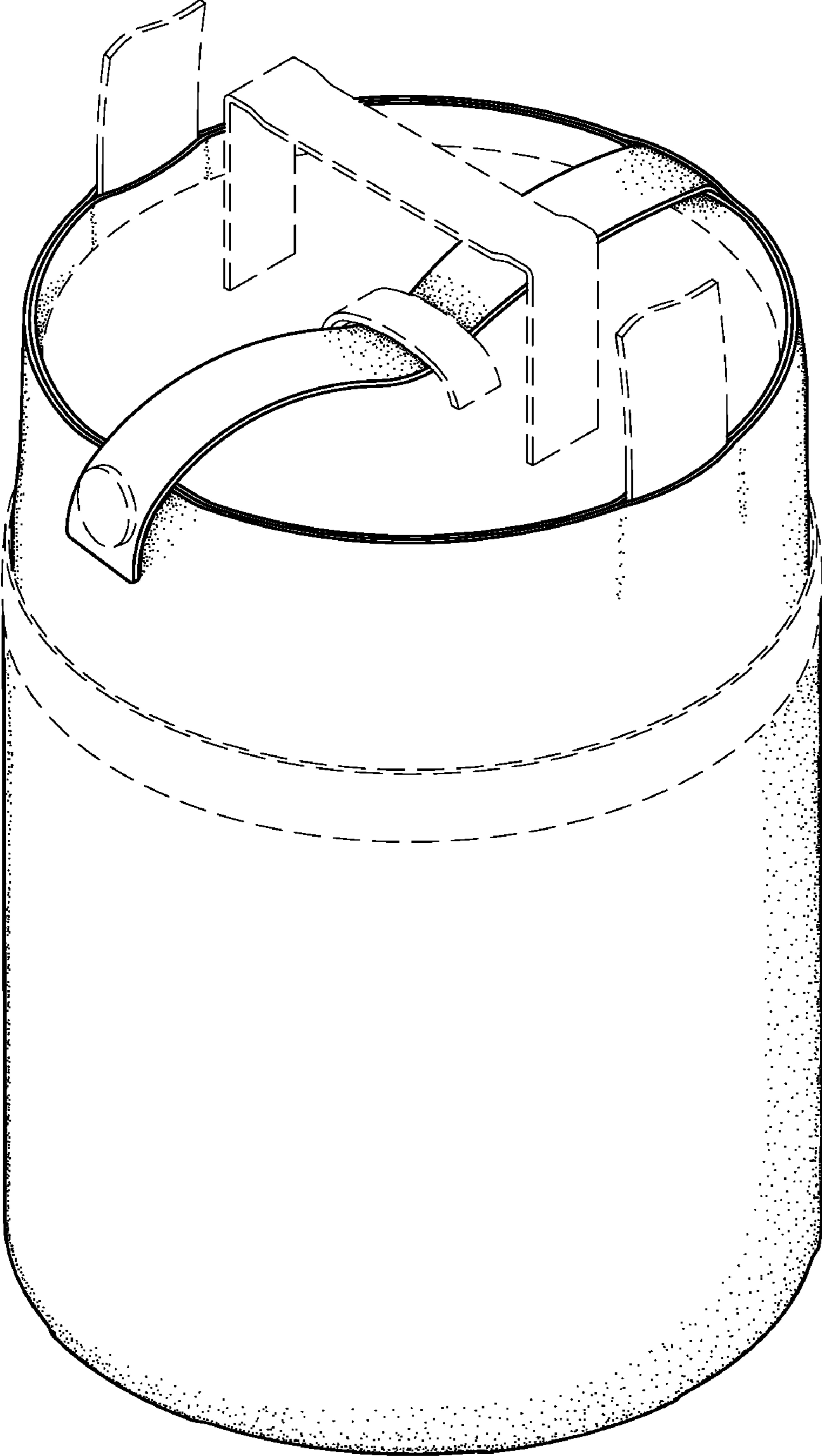


FIG. 1

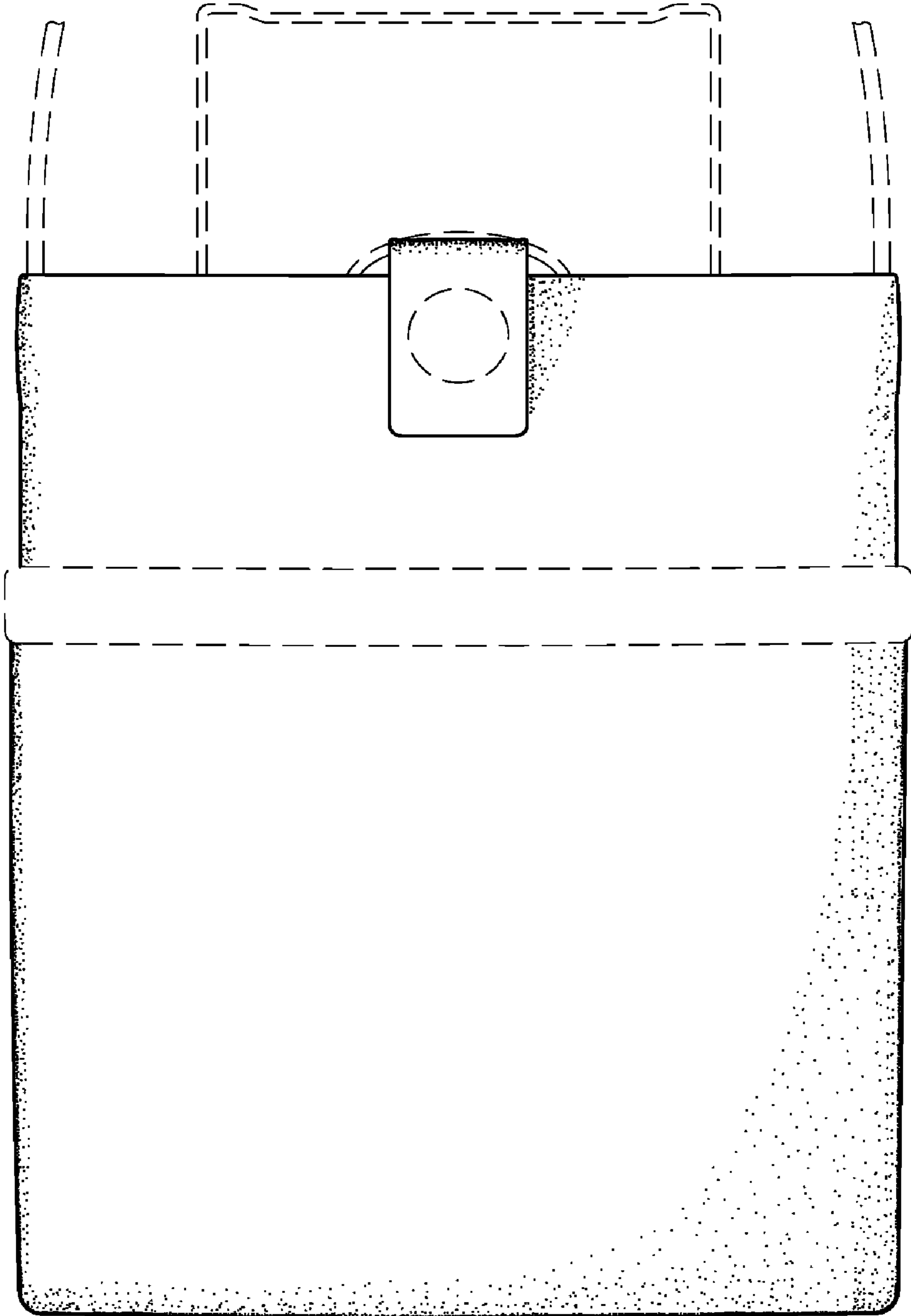


FIG. 2

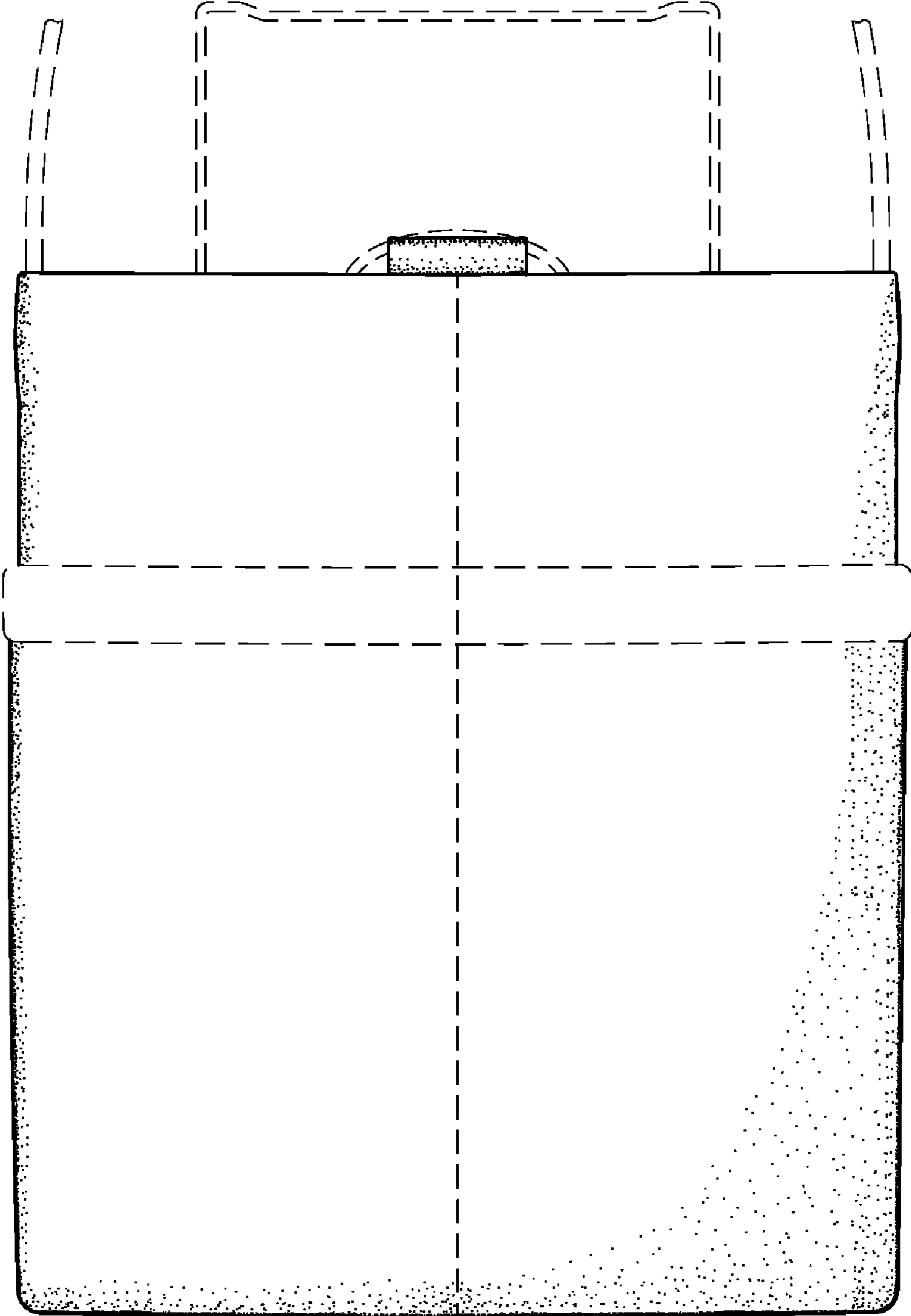


FIG. 3

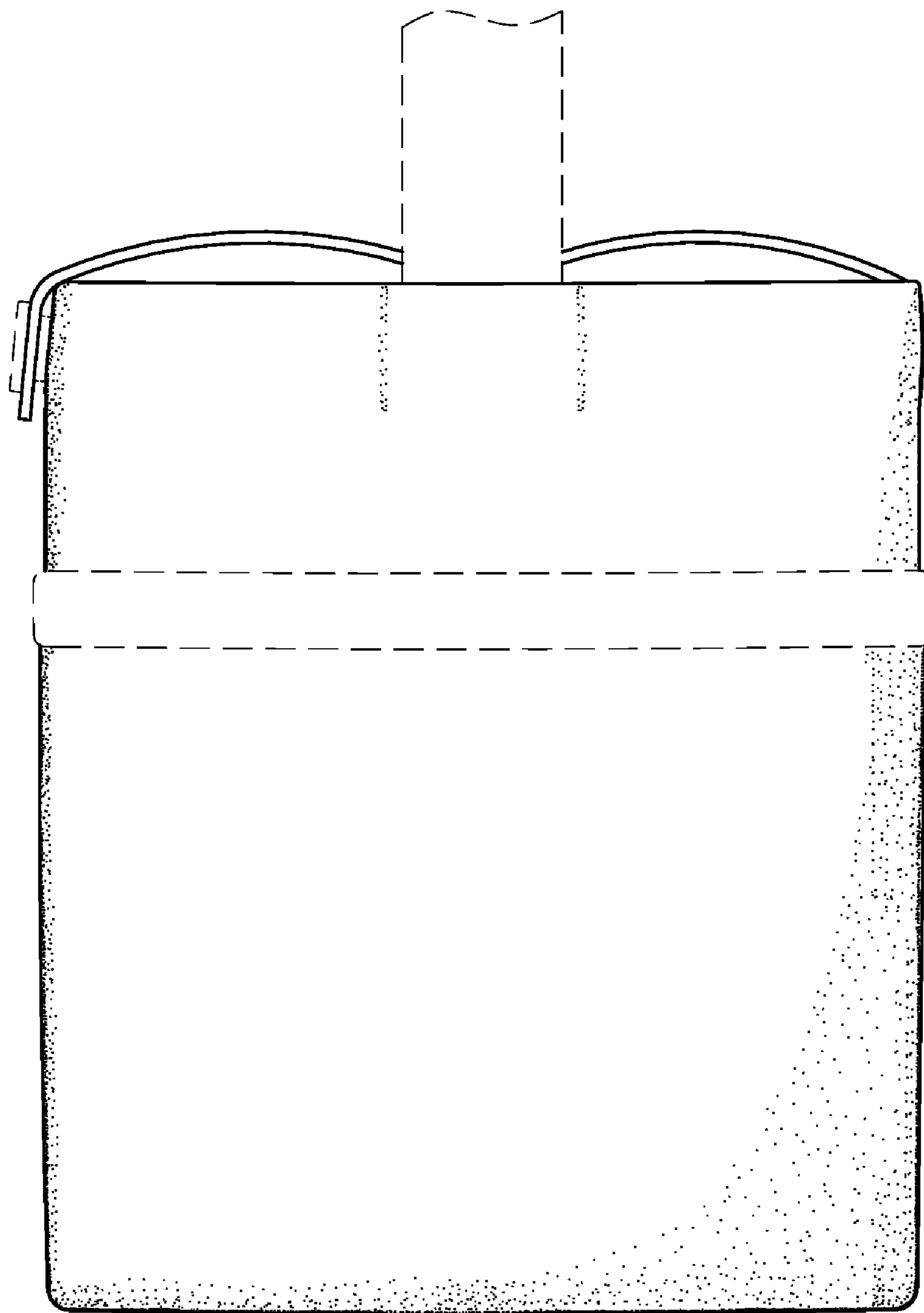


FIG. 4

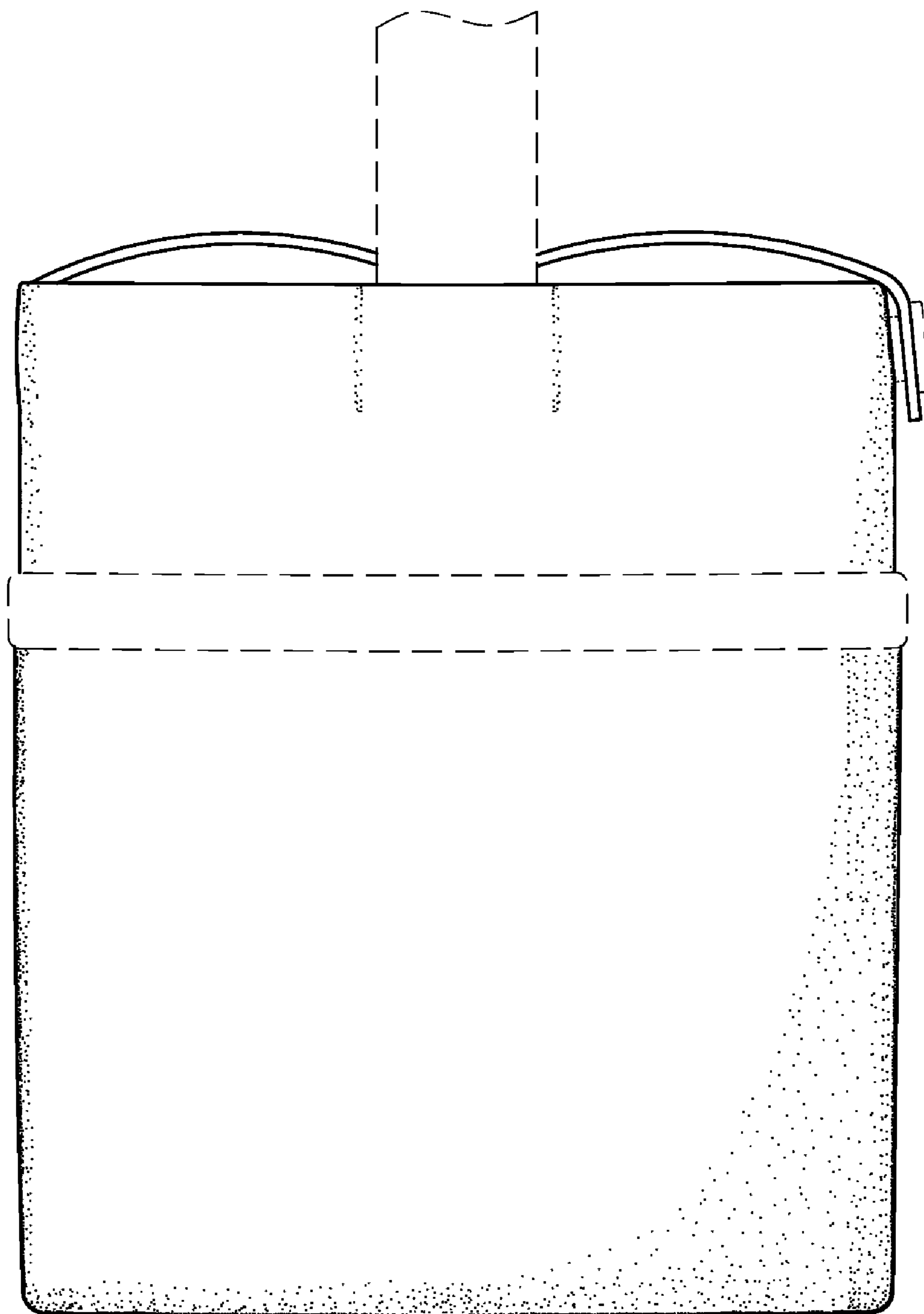


FIG. 5

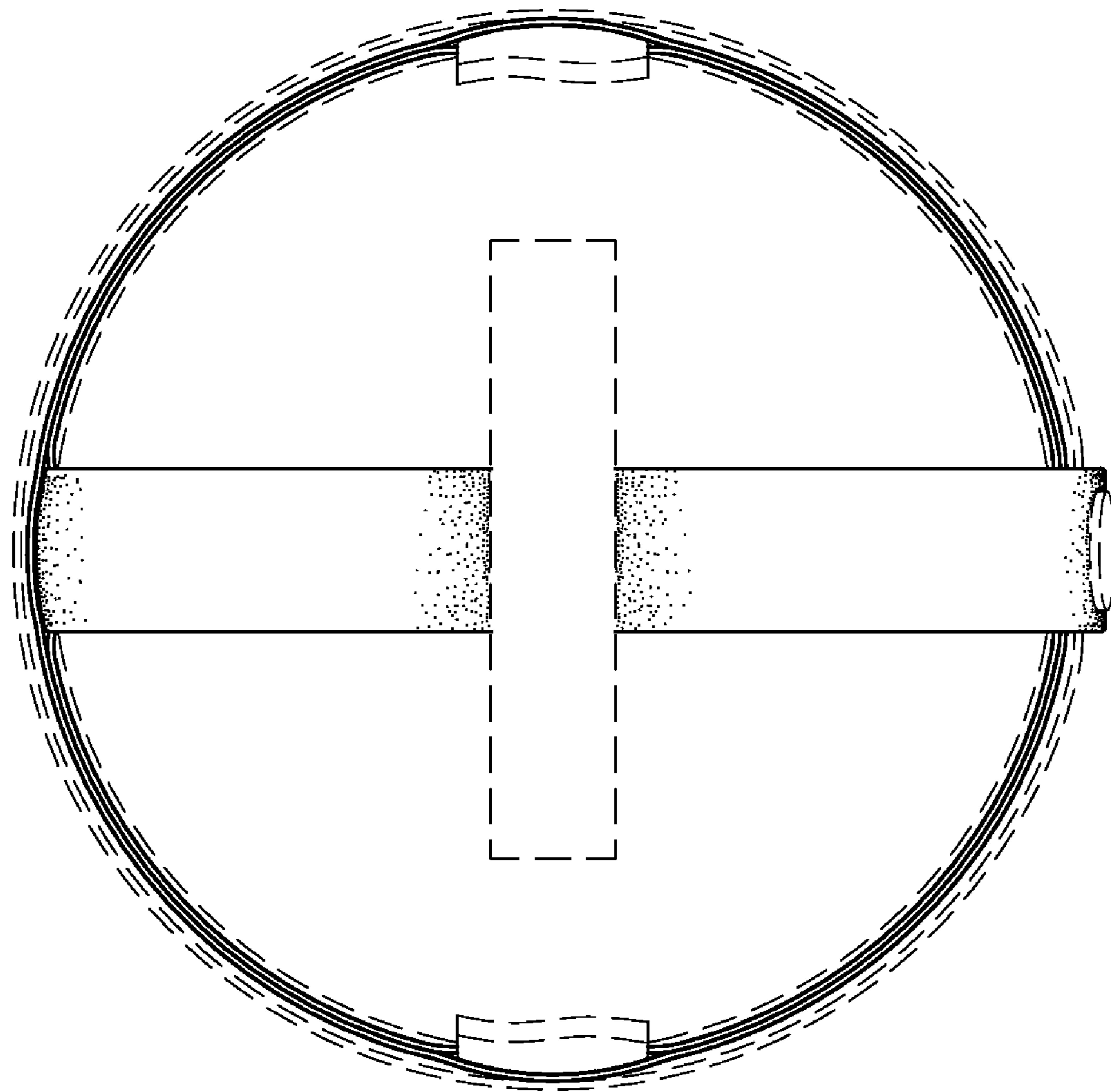


FIG. 6

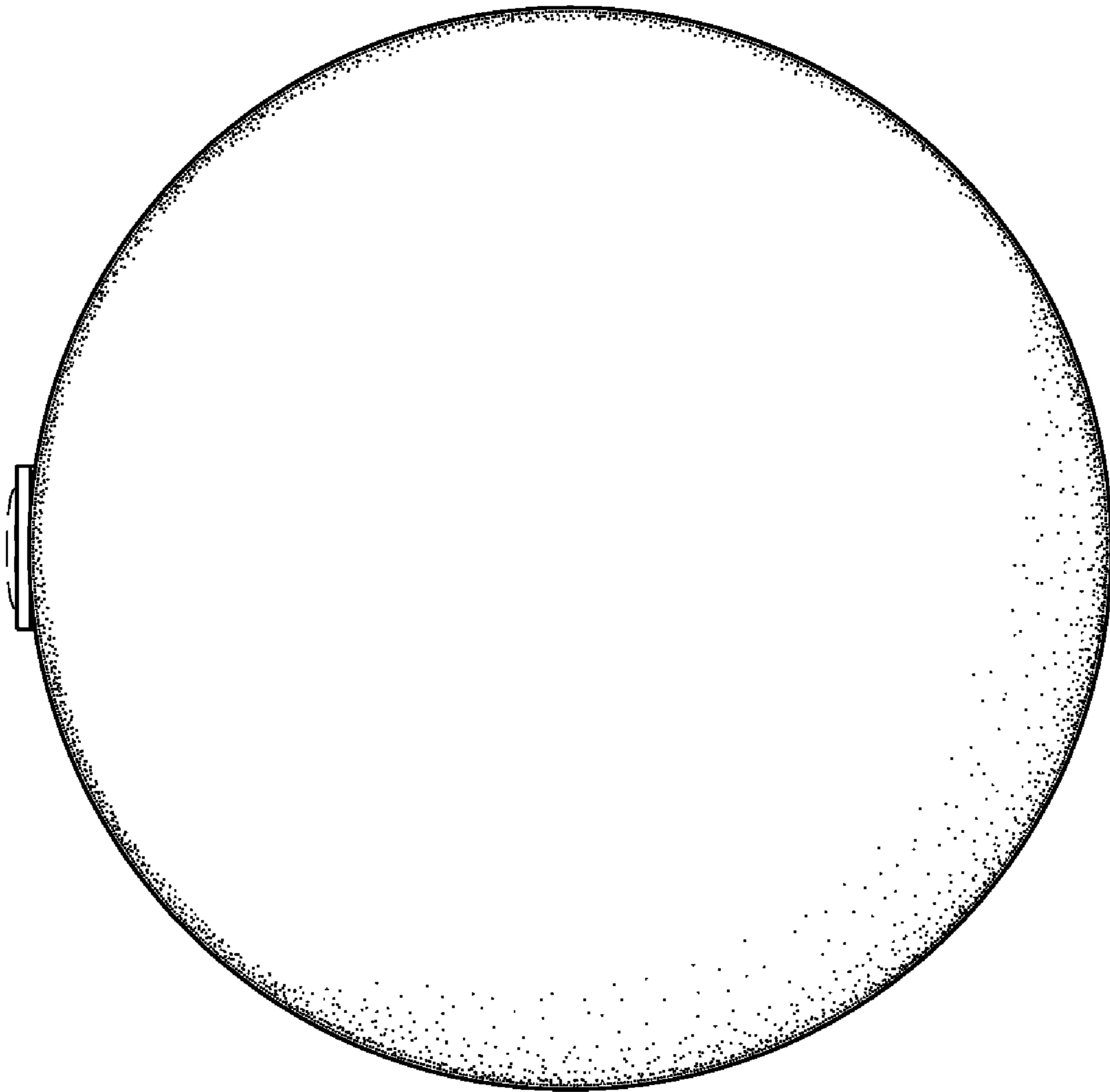


FIG. 7

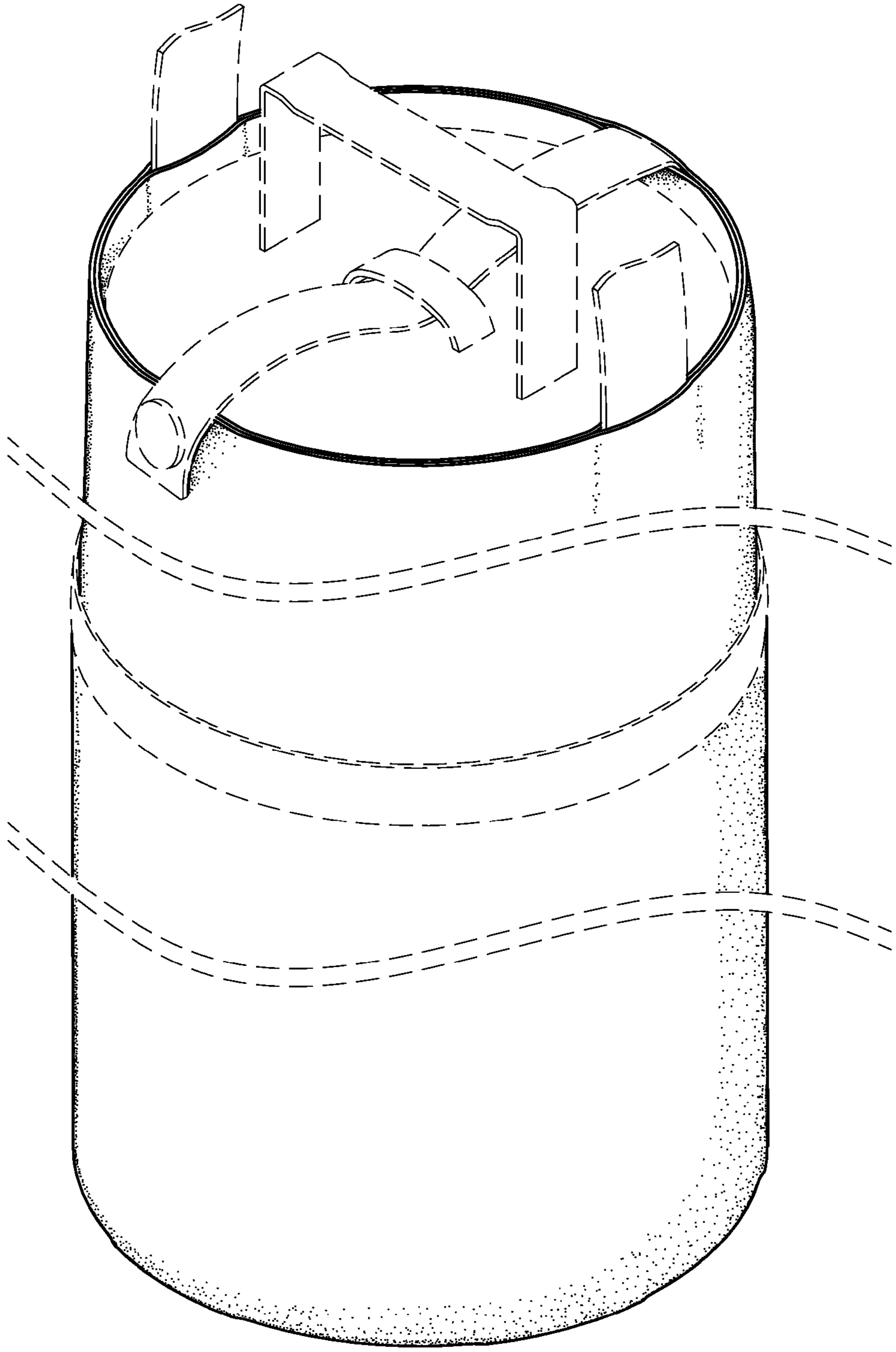


FIG. 8

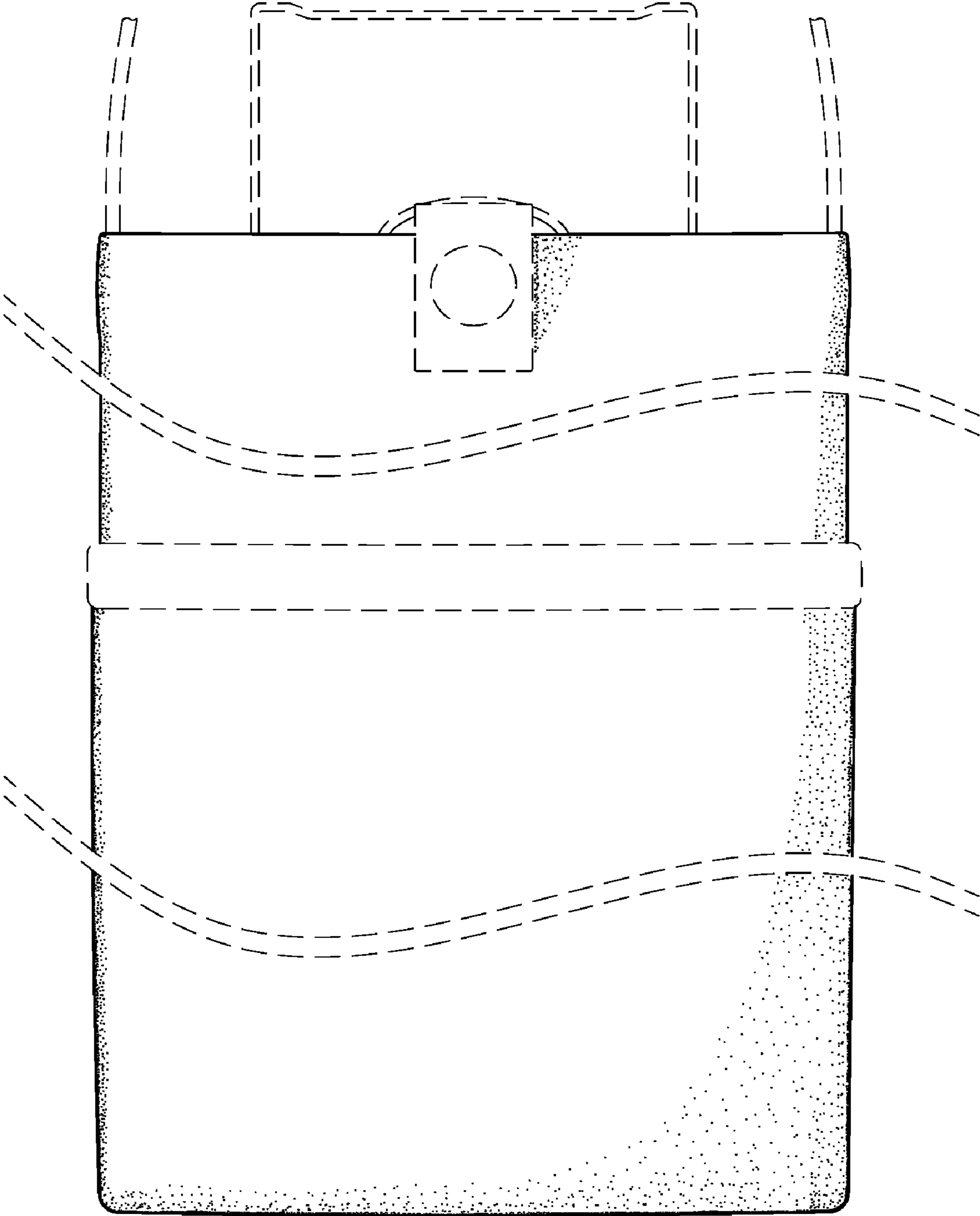


FIG. 9

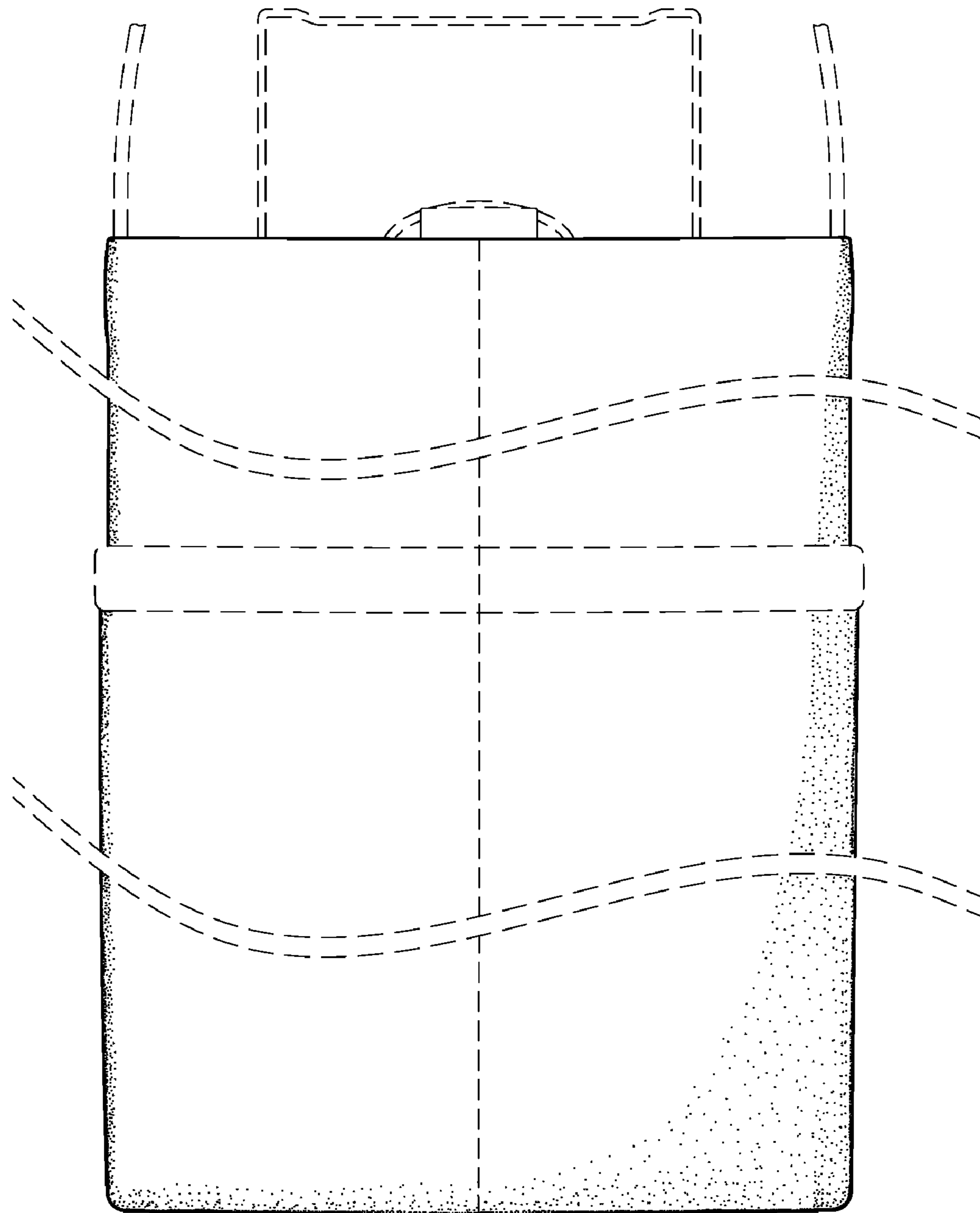


FIG. 10

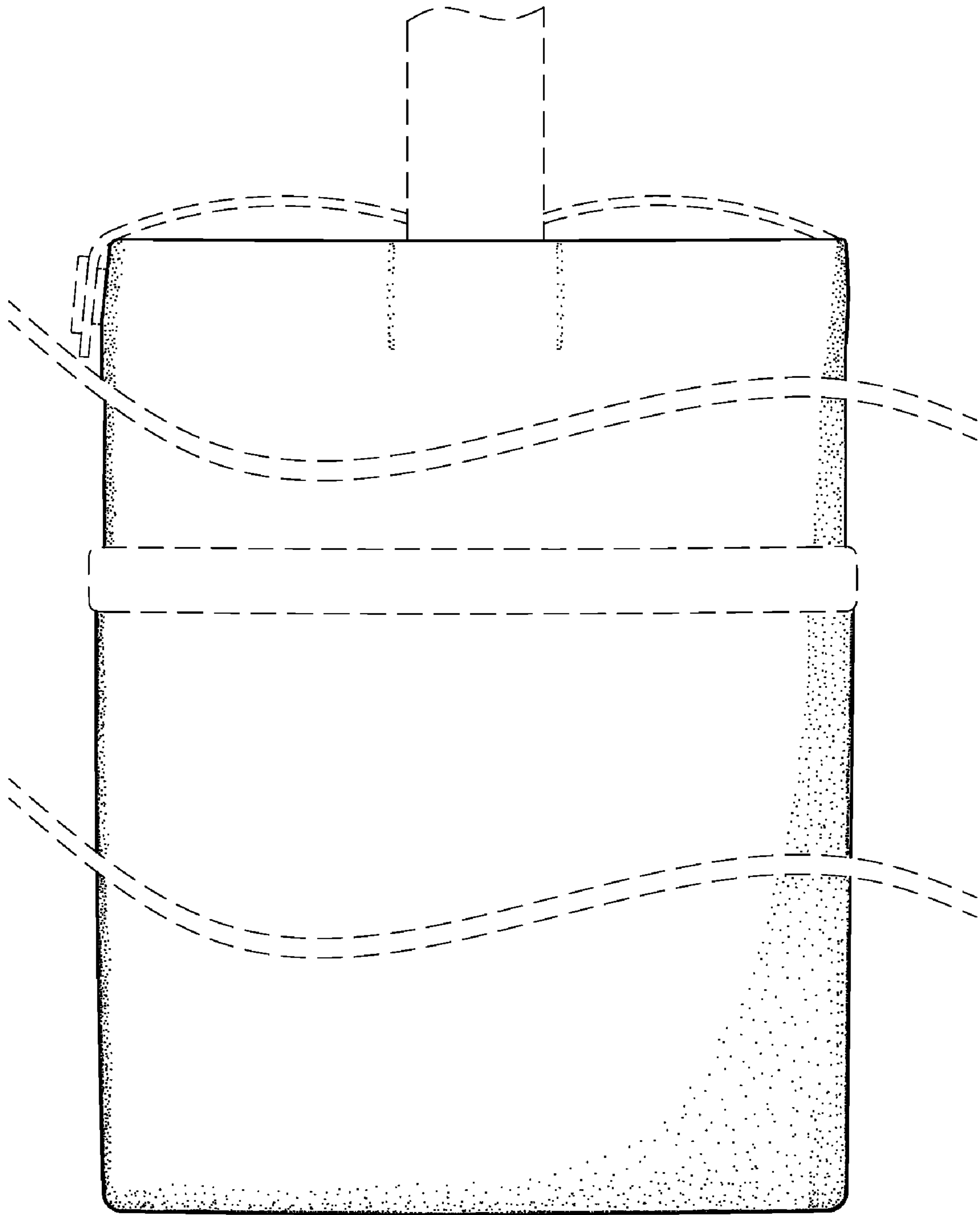


FIG. 11

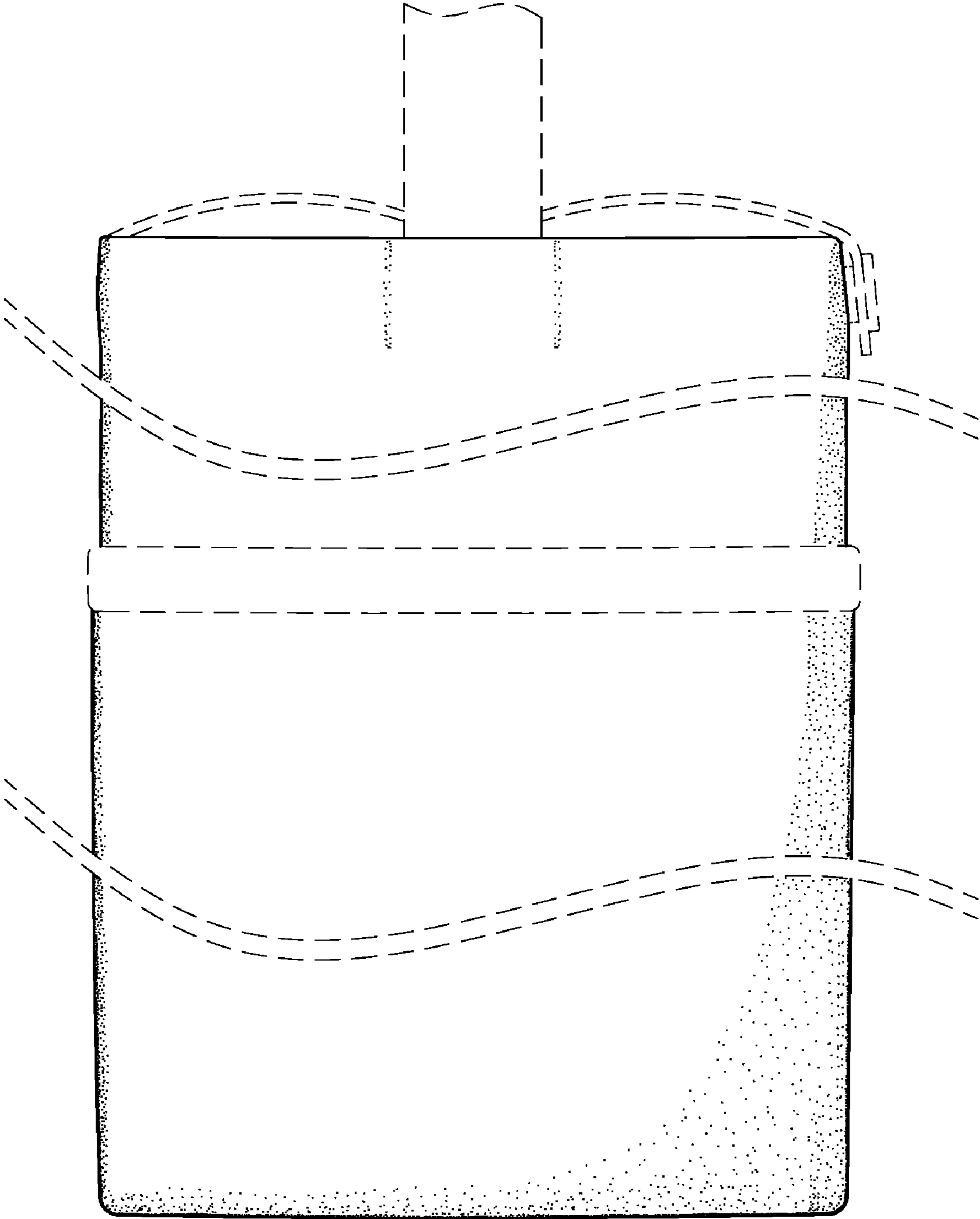


FIG. 12

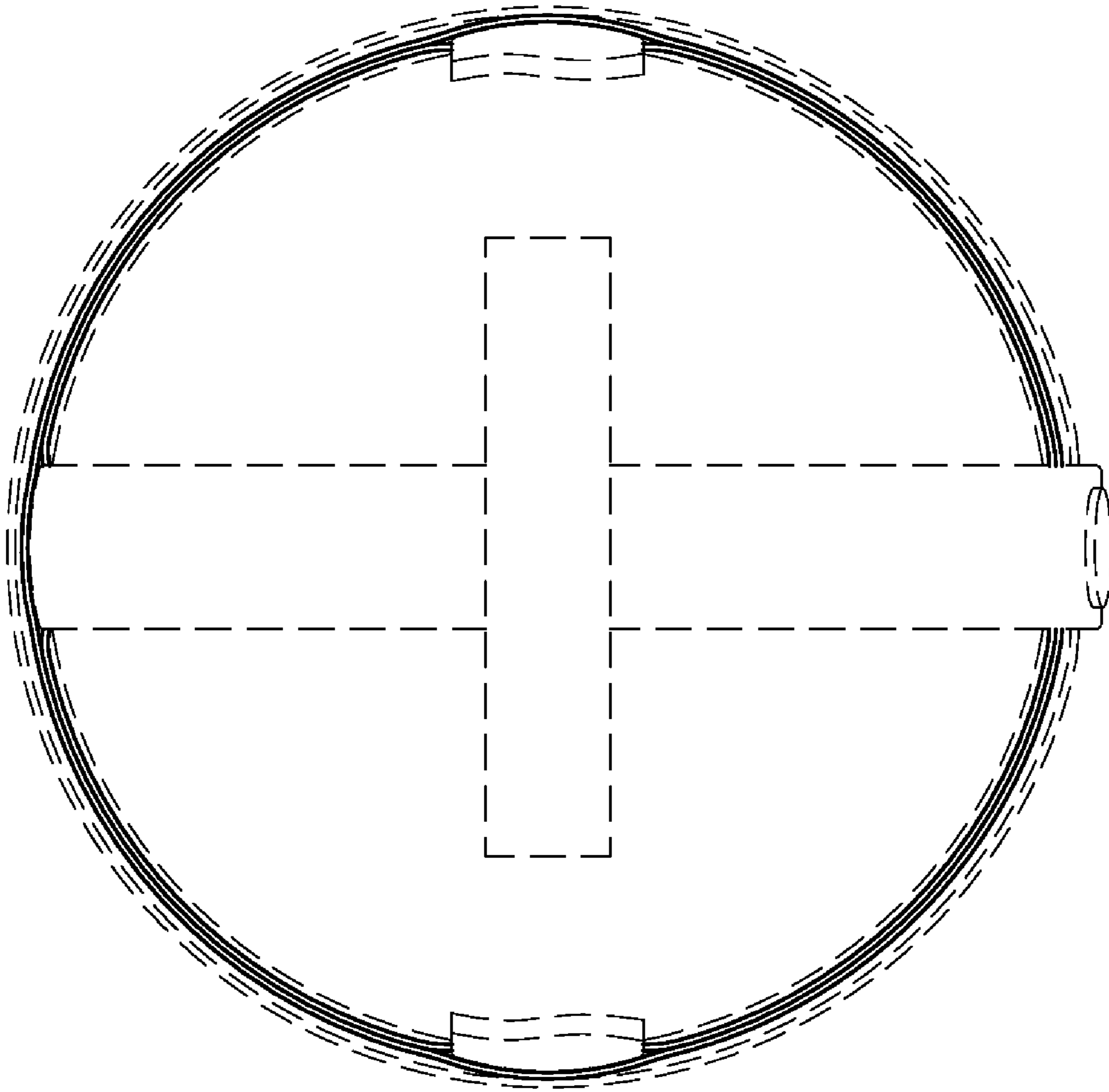


FIG. 13

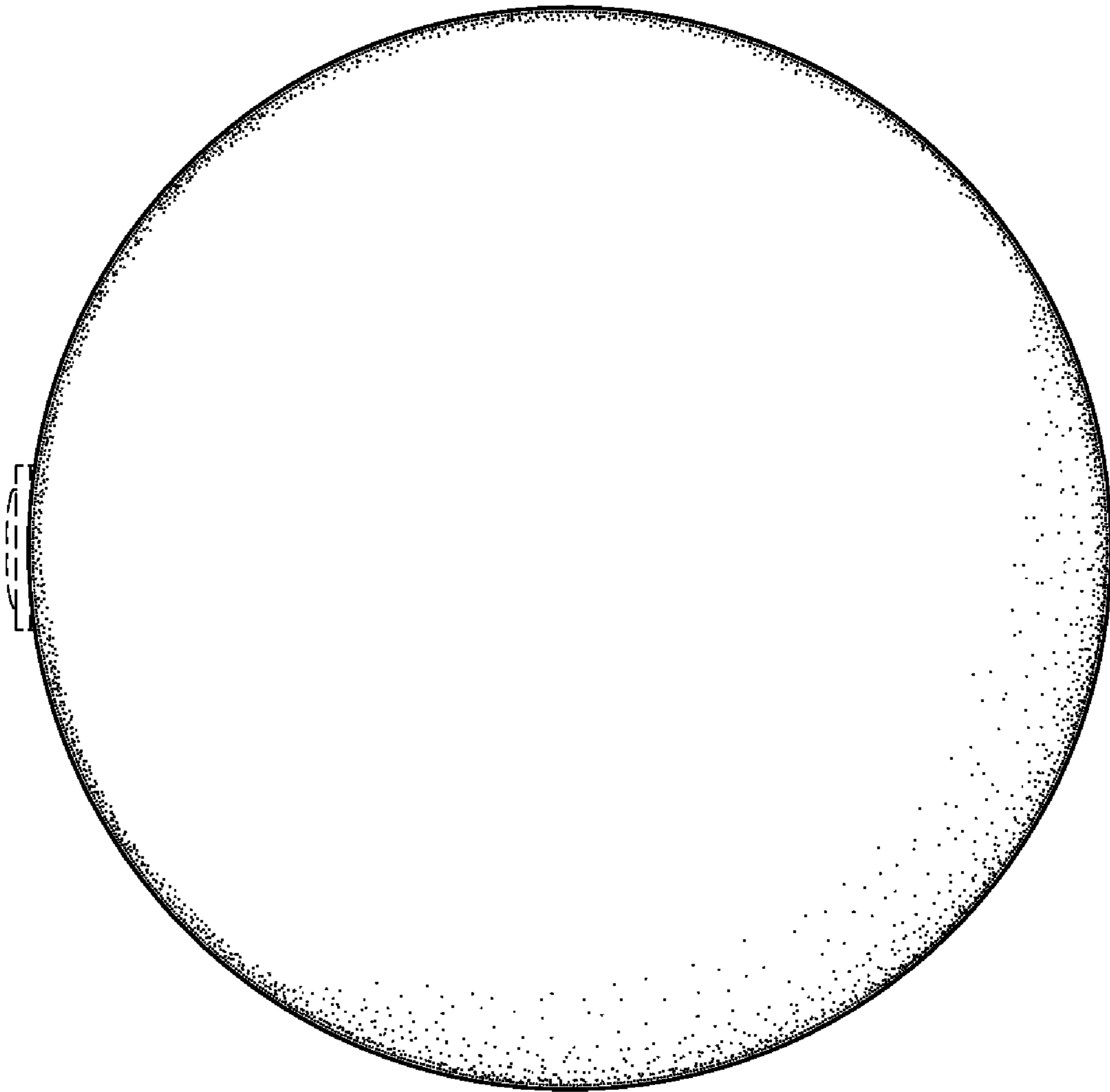


FIG. 14

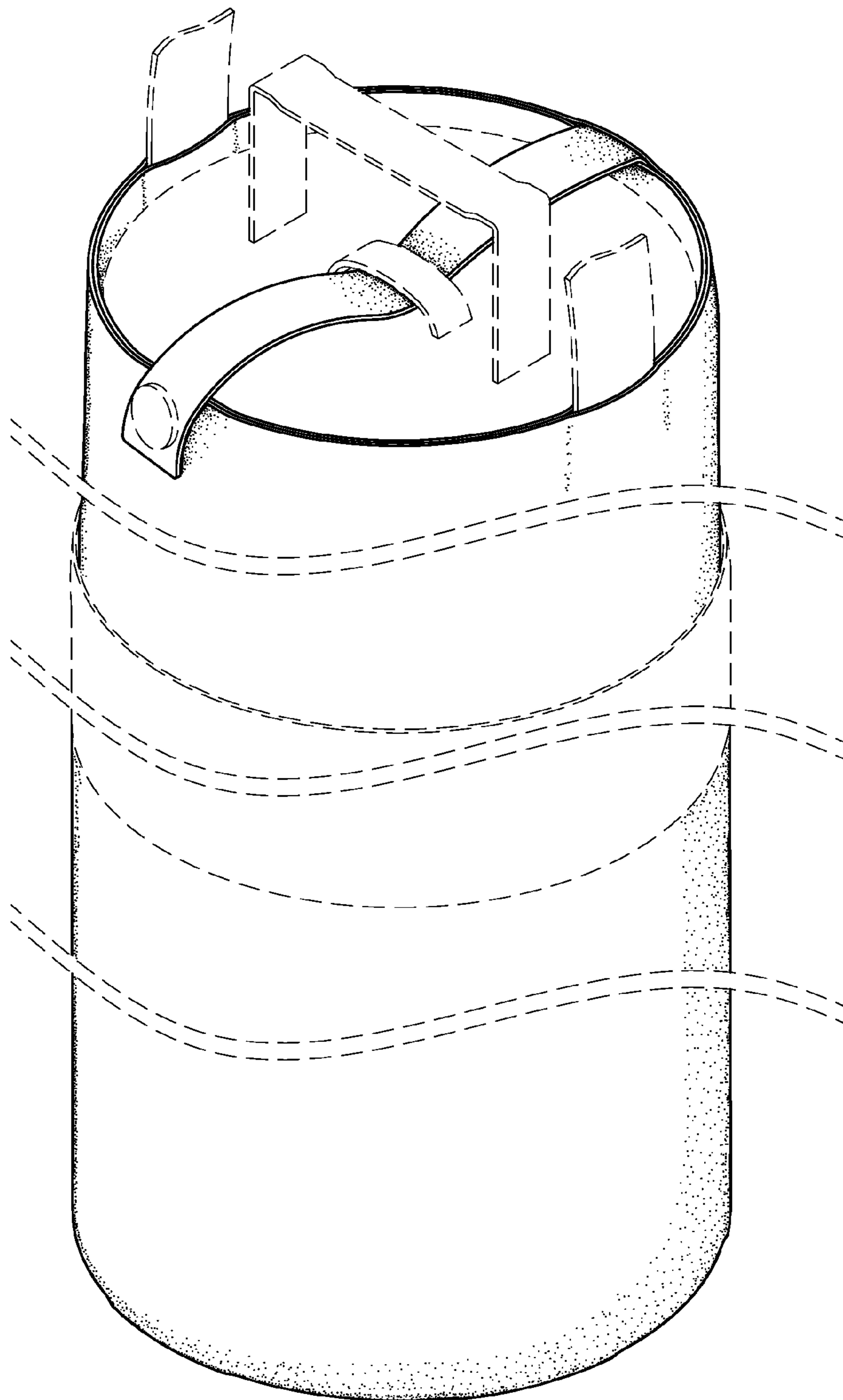


FIG. 15

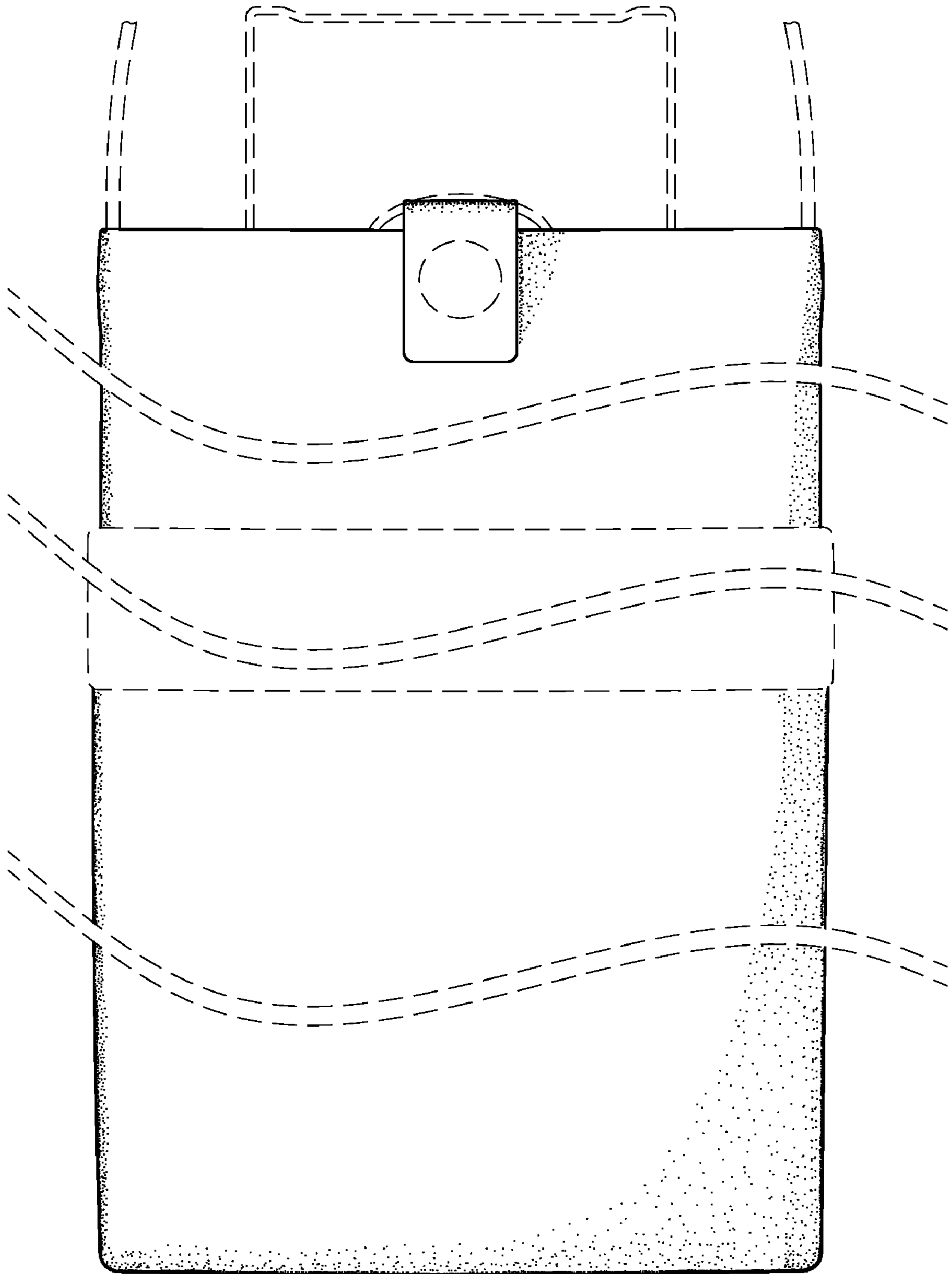


FIG. 16

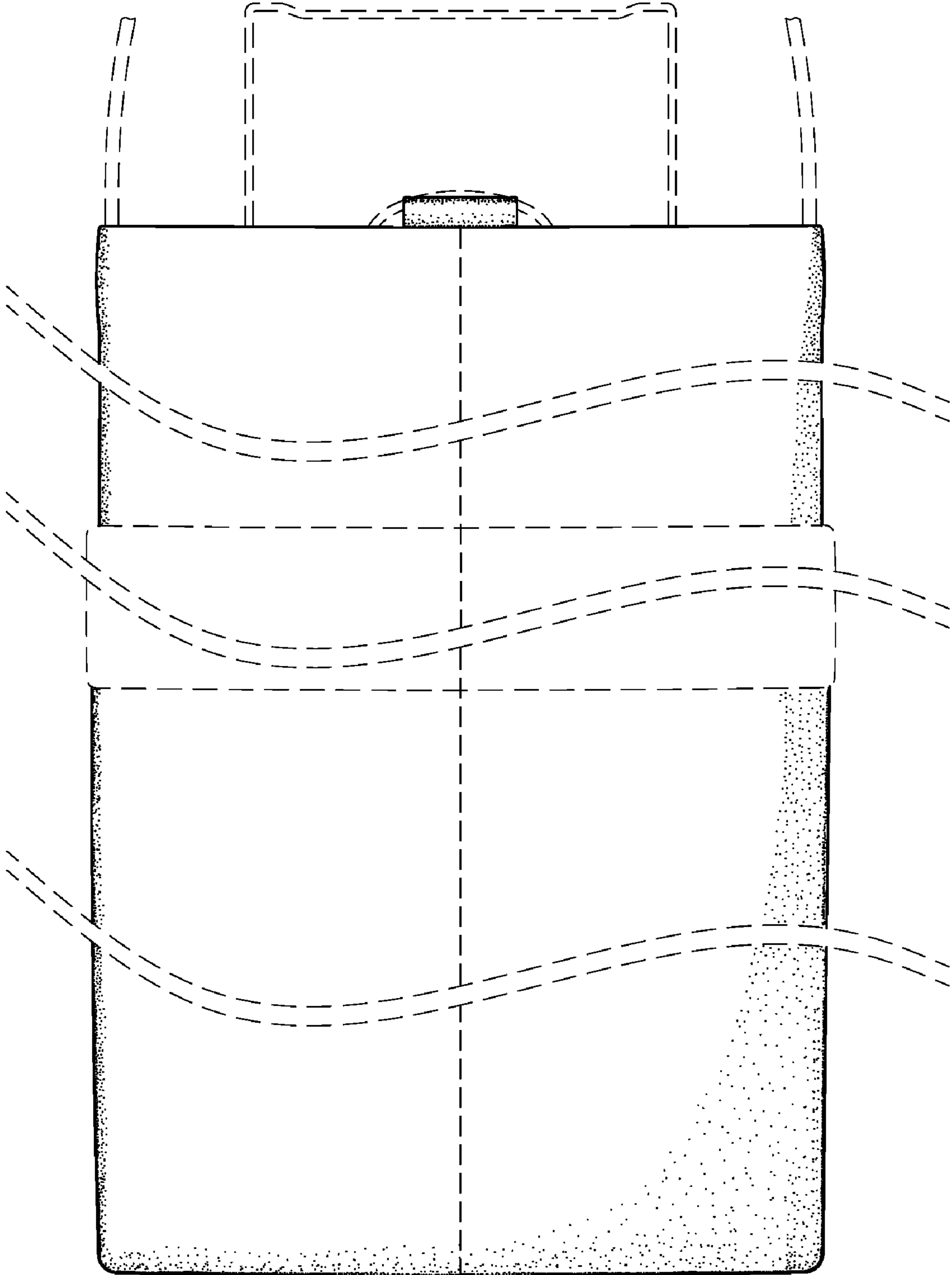


FIG. 17

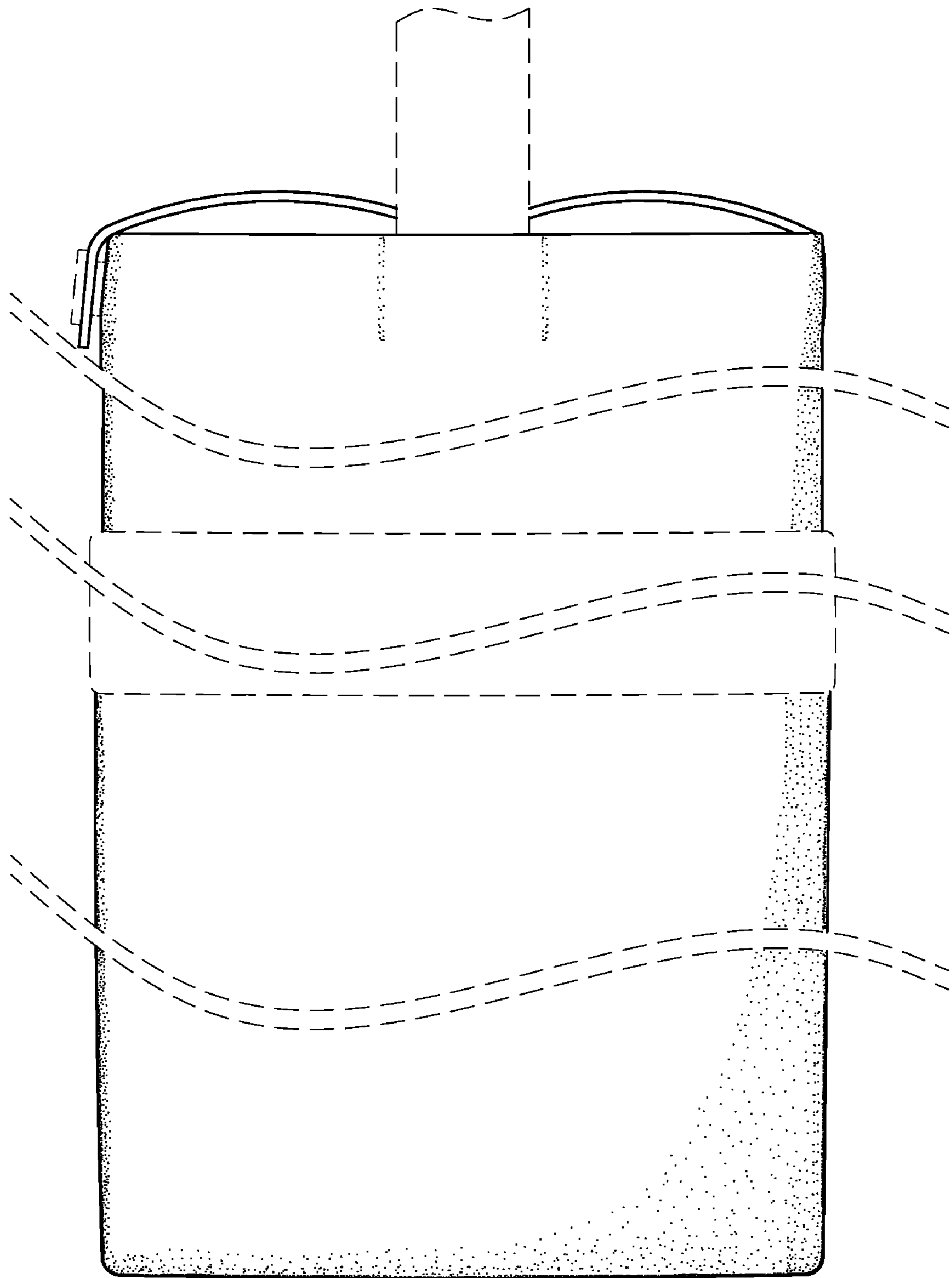


FIG. 18

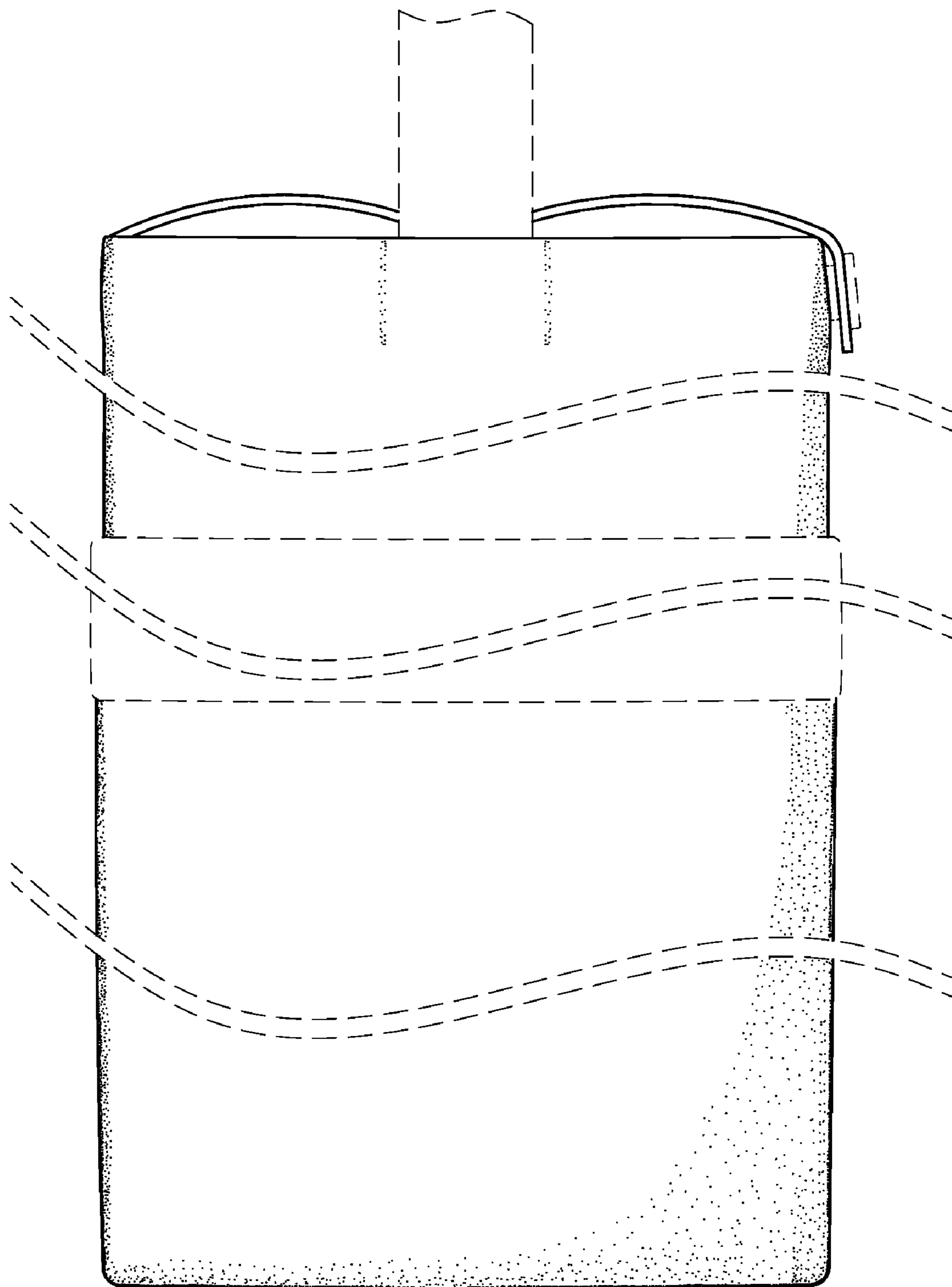


FIG. 19

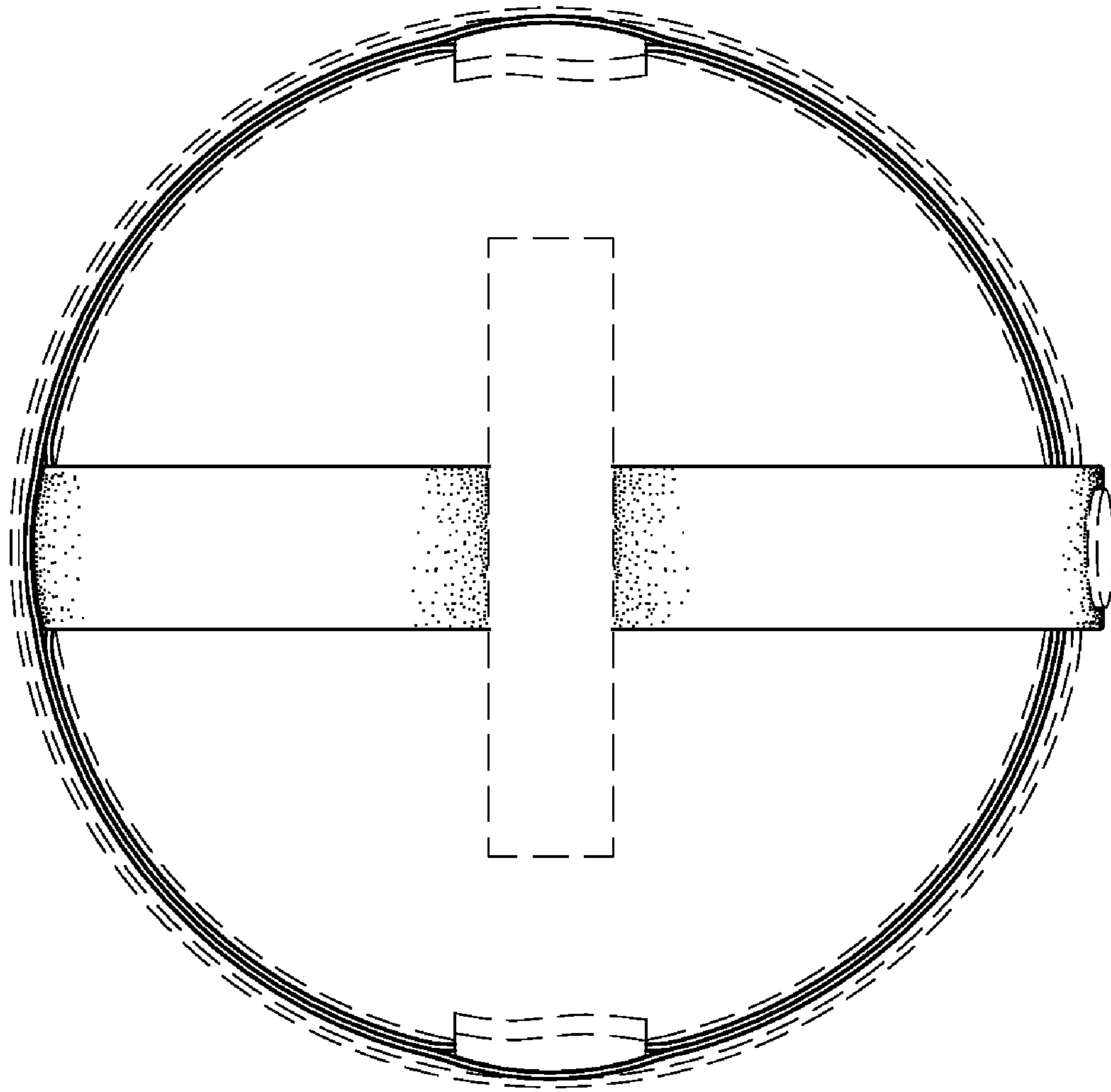


FIG. 20

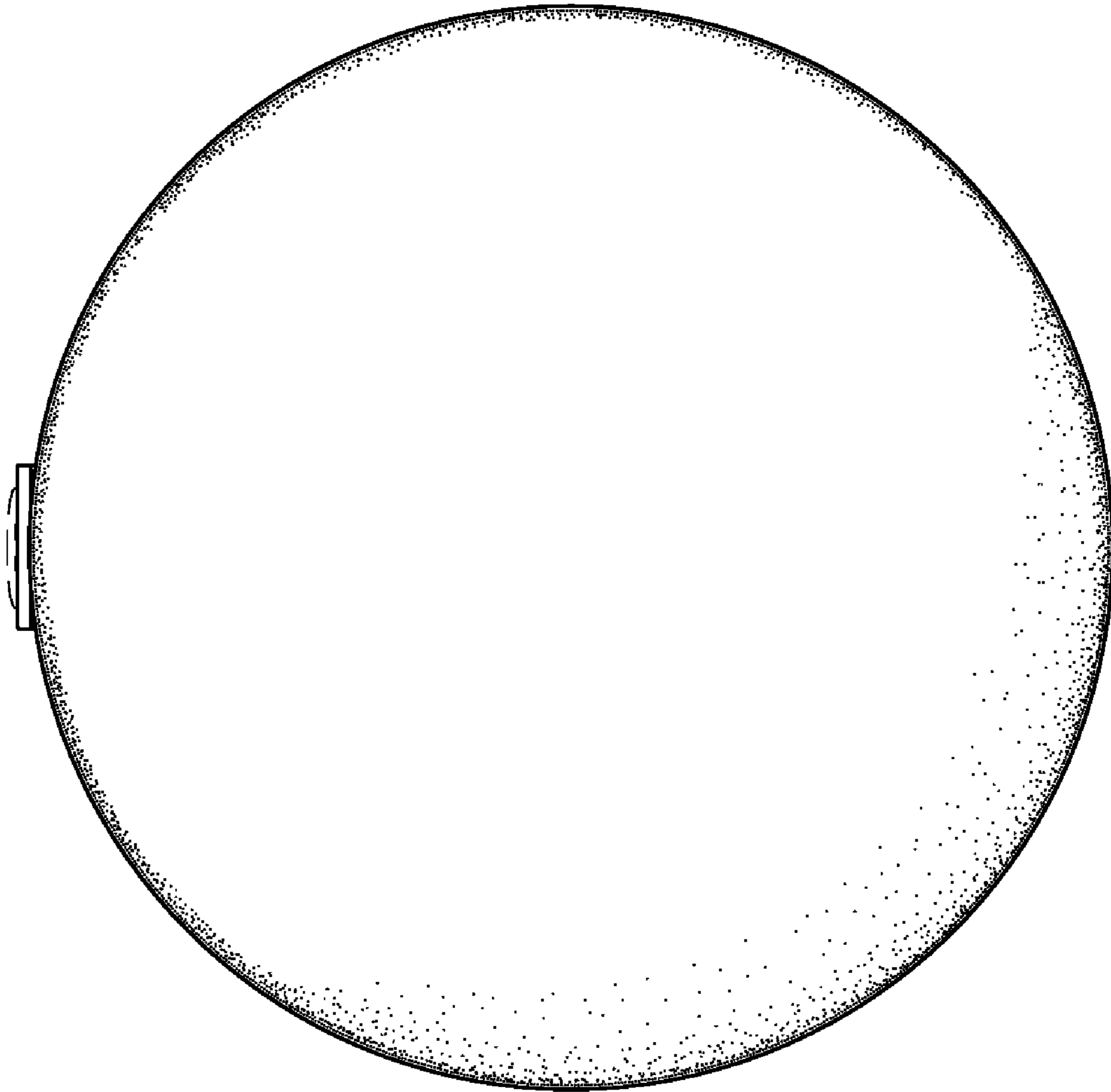


FIG. 21

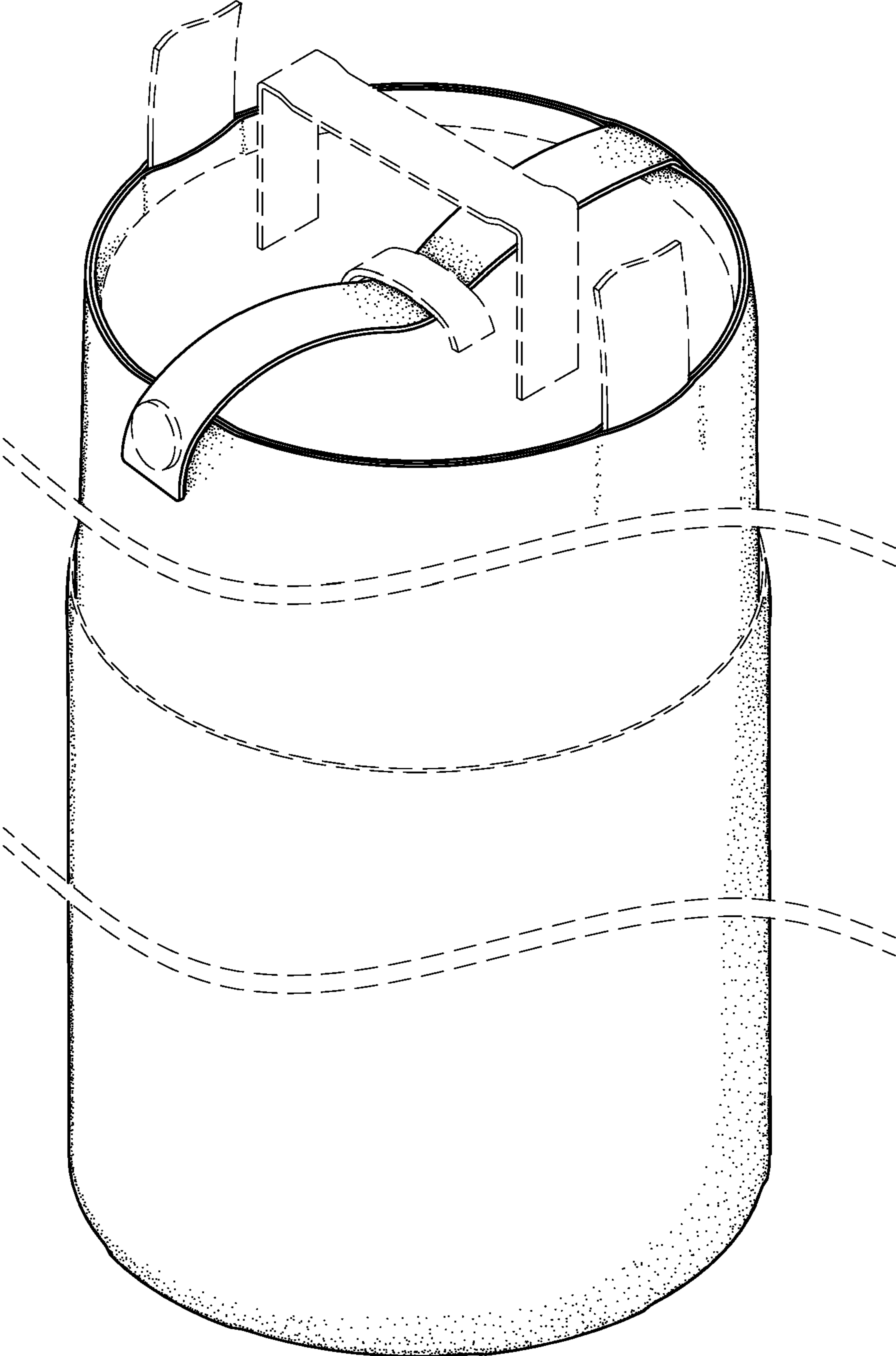


FIG. 22

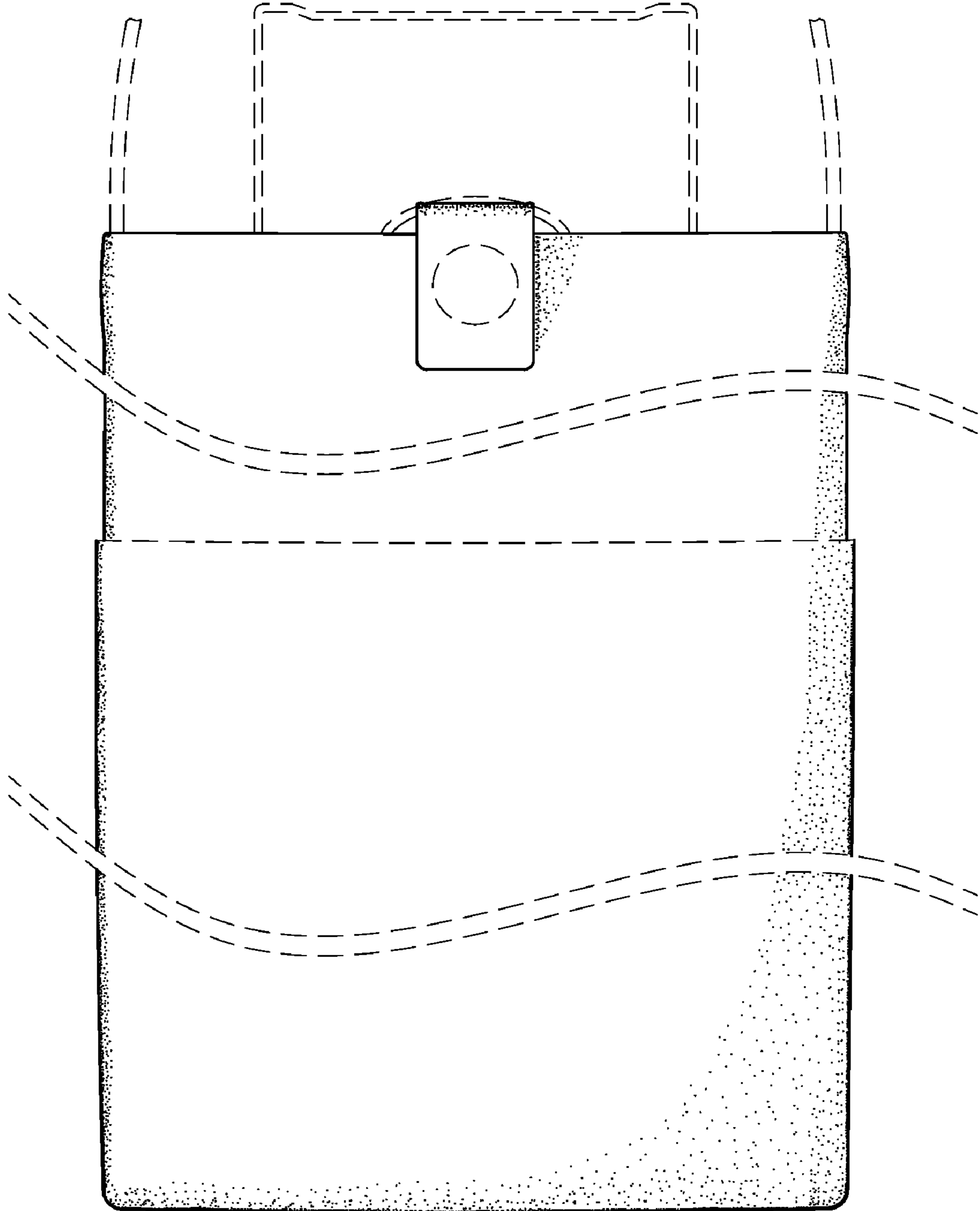


FIG. 23

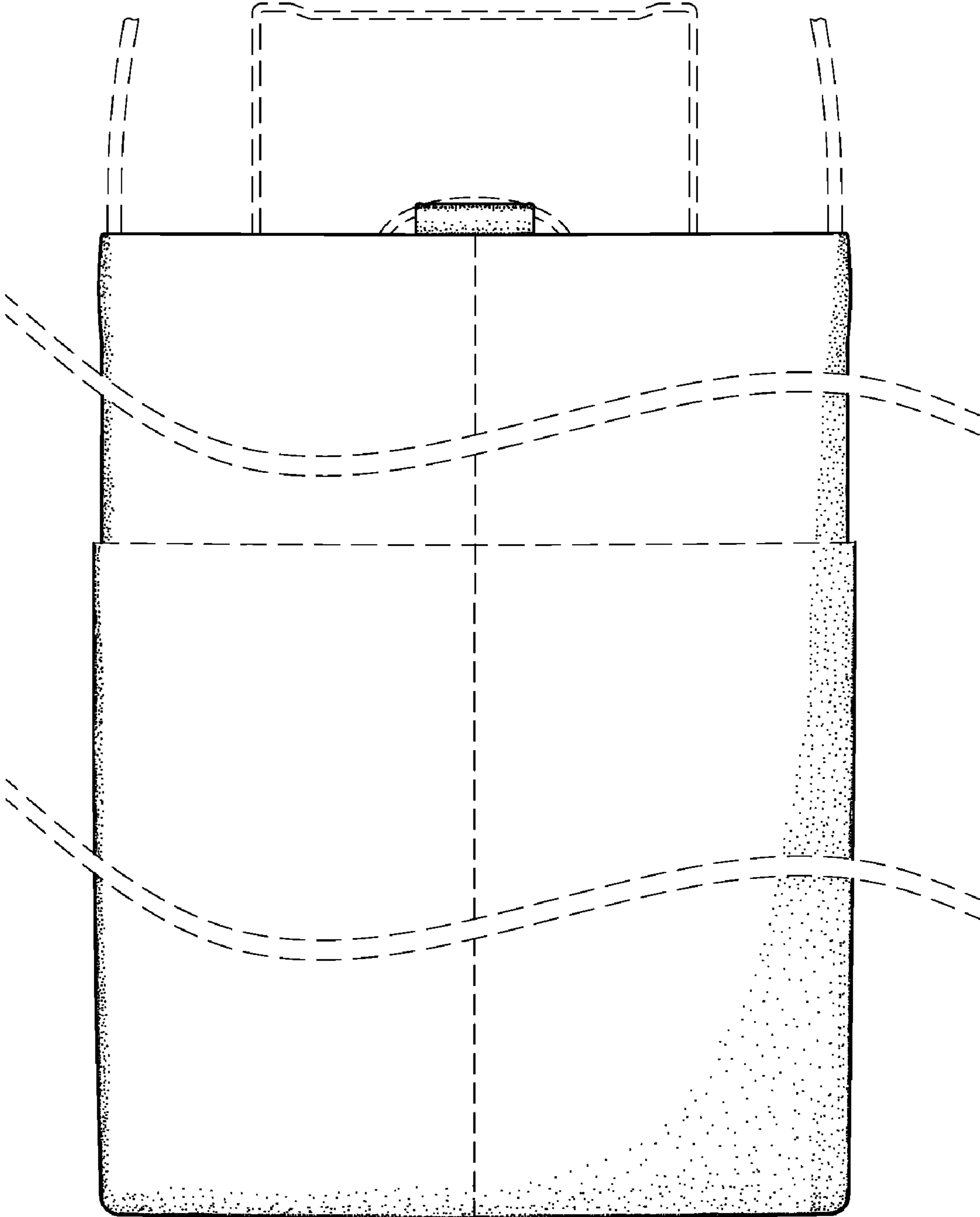


FIG. 24

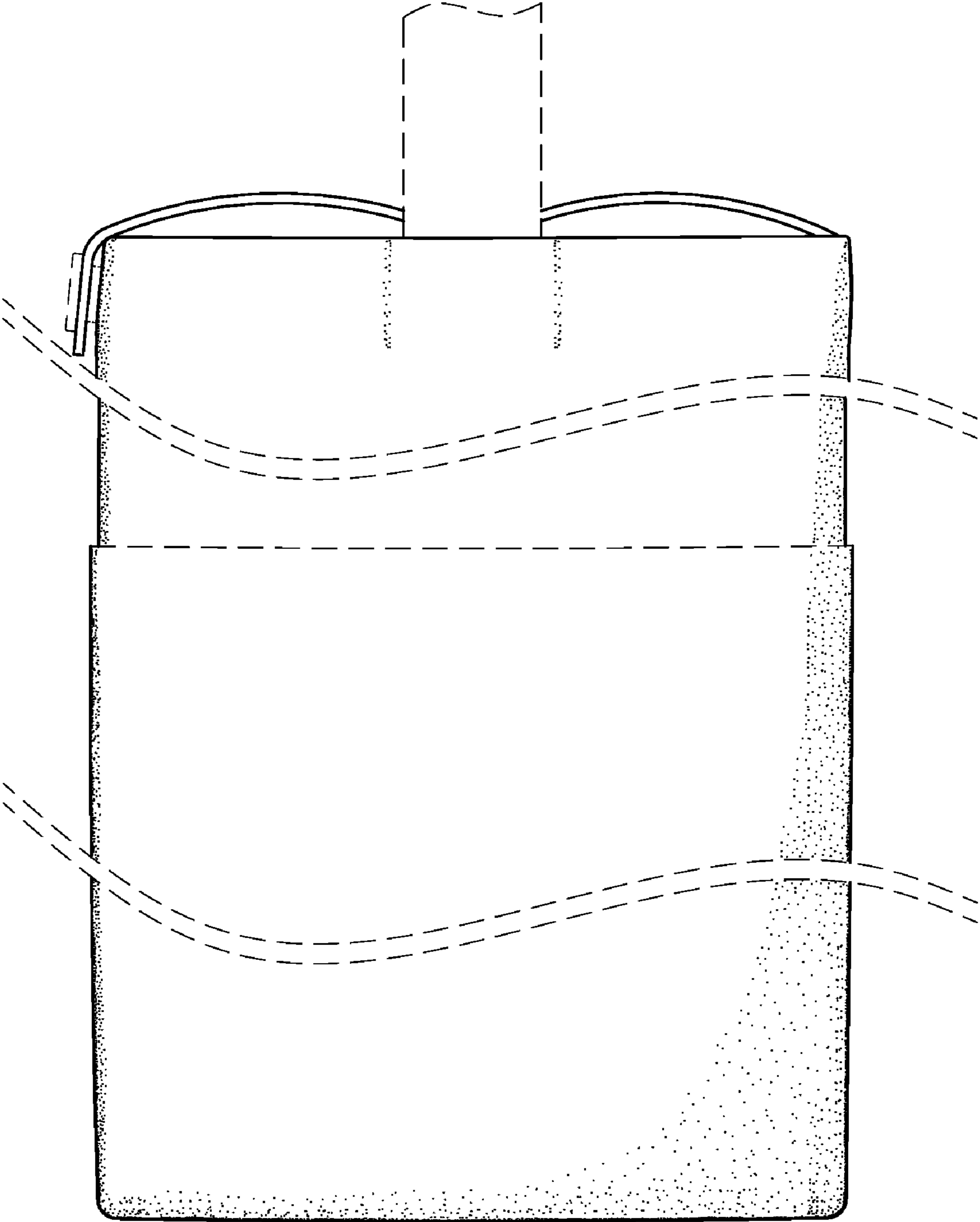


FIG. 25

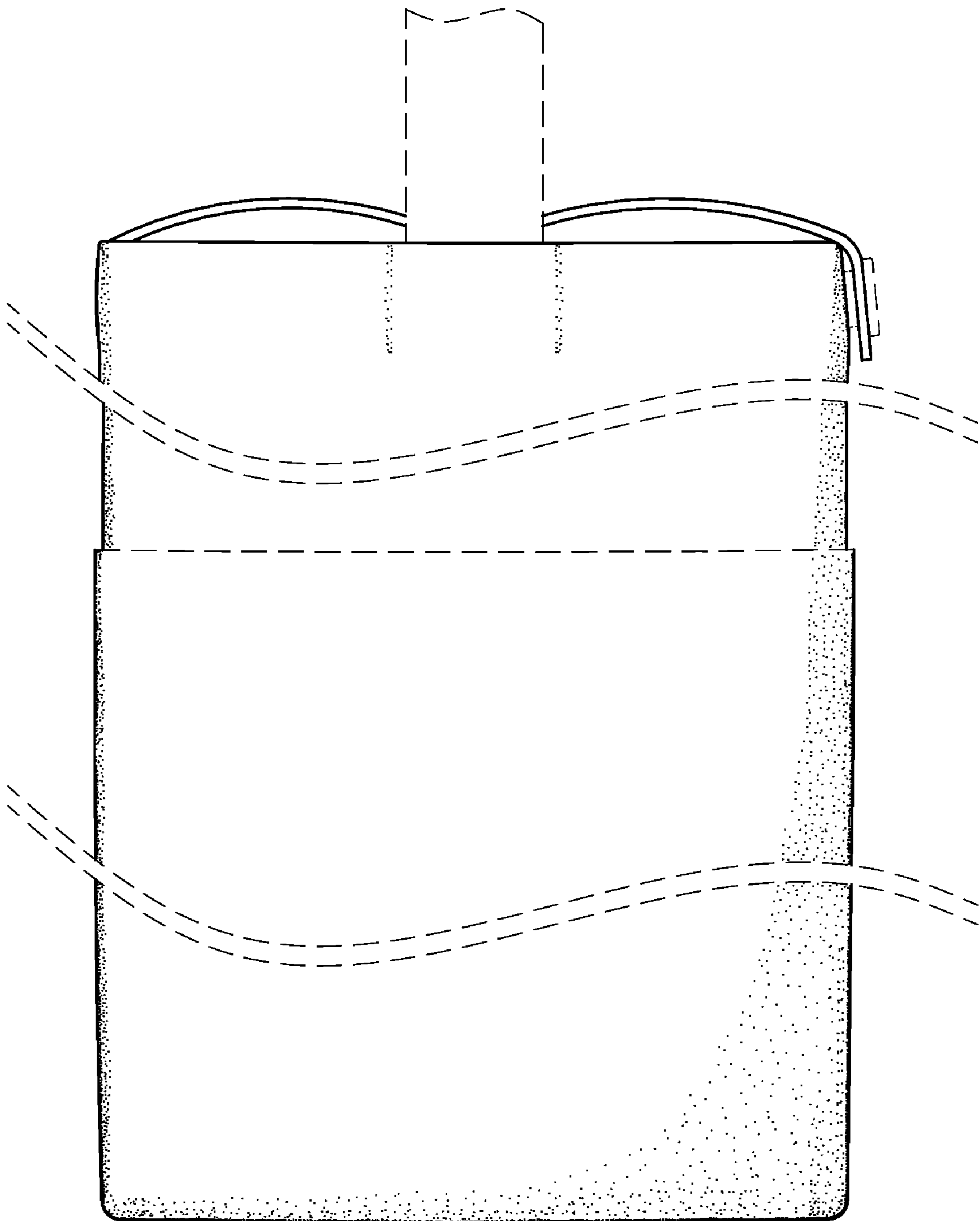


FIG. 26

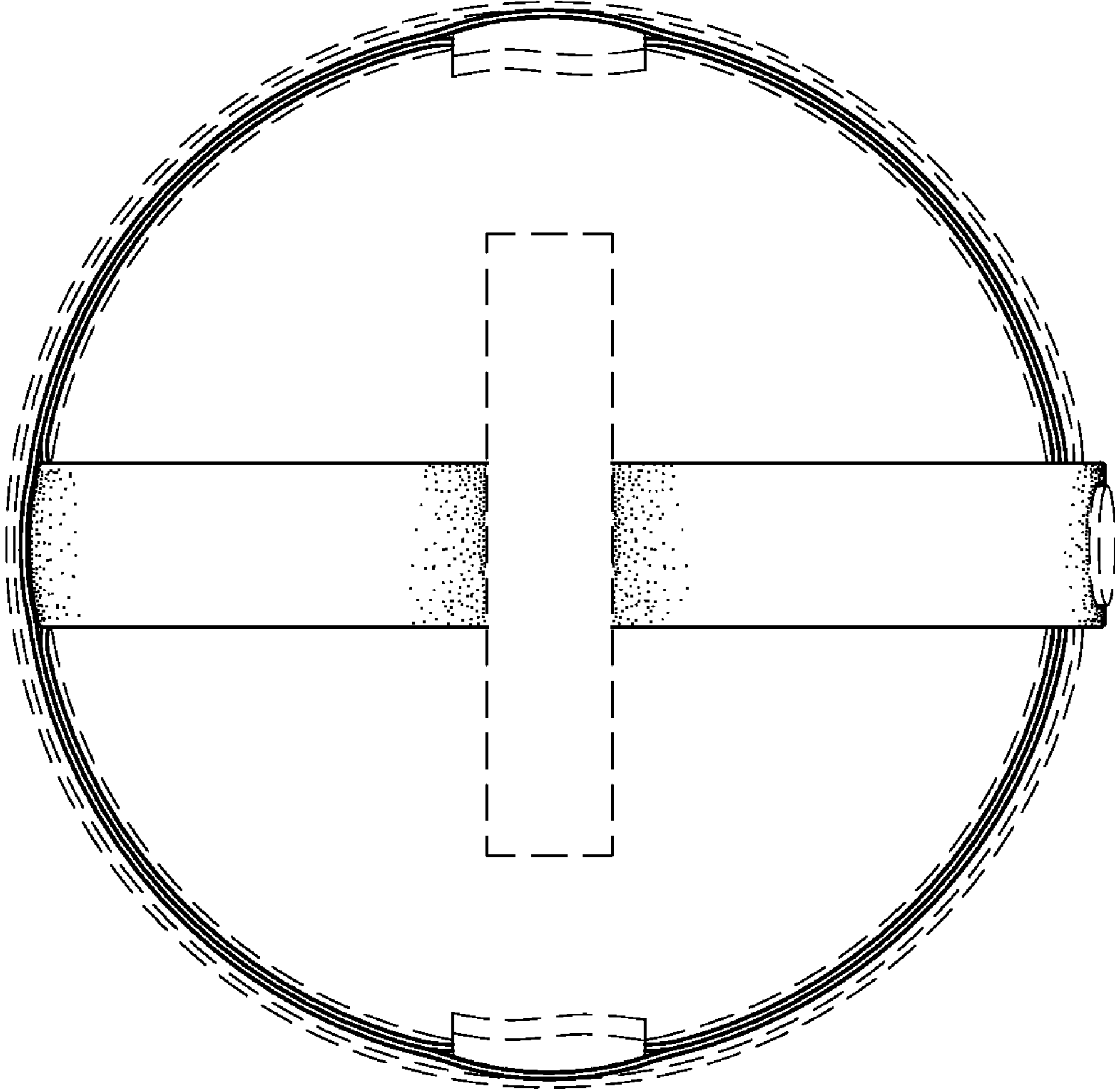


FIG. 27

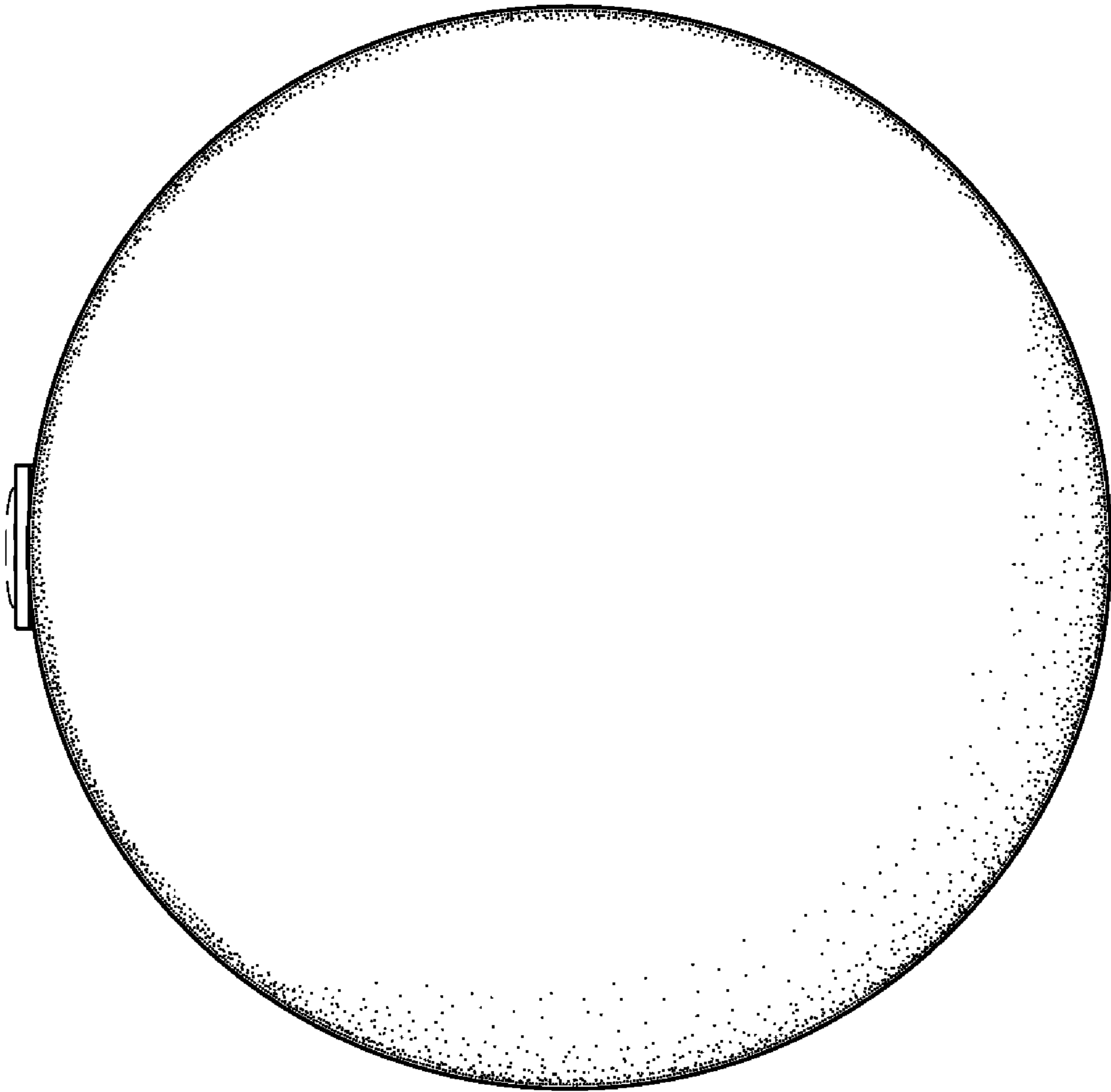


FIG. 28