



US00D627603S

(12) **United States Design Patent**
Eyal

(10) **Patent No.:** **US D627,603 S**

(45) **Date of Patent:** **** Nov. 23, 2010**

(54) **BEVERAGE CONTAINER**

(76) **Inventor:** **Sharon Eyal**, 420 S. Lombard St.,
Oxnard, CA (US) 93030

(**) **Term:** **14 Years**

(21) **Appl. No.:** **29/359,047**

(22) **Filed:** **Apr. 5, 2010**

(51) **LOC (9) Cl.** **07-01**

(52) **U.S. Cl.** **D7/510; D7/511; D7/608;**
D9/504

(58) **Field of Classification Search** **D7/509,**
D7/510, 511, 608, 392.1, 900, 300.1, 523,
D7/612; D9/503, 443, 446, 504; 220/714,
220/737, 739, 592.27; 224/148.7; 215/228,
215/387, 11.6, 11.1

See application file for complete search history.

(56) **References Cited**

U.S. PATENT DOCUMENTS

1,832,806	A	*	11/1931	Dawson	215/43
D278,121	S	*	3/1985	Sussman	D9/504
D278,600	S	*	4/1985	Fortuna	D9/556
D315,095	S	*	3/1991	Wright	D9/503
D335,382	S	*	5/1993	O'Brien	D99/25
D340,836	S	*	11/1993	Cautereels	D7/511
D400,005	S	*	10/1998	Wolff	D7/612
D448,224	S	*	9/2001	Voyer	D6/519
D478,511	S	*	8/2003	Reynolds	D9/502
D530,572	S	*	10/2006	Daams	D7/615
D531,452	S	*	11/2006	Toth	D7/523

D533,914	S	*	12/2006	Diaz	D21/839
D547,611	S	*	7/2007	Seum et al.	D7/511
D570,648	S	*	6/2008	Bodum	D7/510
D574,190	S	*	8/2008	Homma	D7/510
D579,720	S	*	11/2008	Rohe	D7/510
D588,361	S	*	3/2009	Dawson et al.	D3/302
D592,909	S	*	5/2009	Alviar et al.	D7/510
D609,571	S	*	2/2010	Butler et al.	D9/504
D620,800	S	*	8/2010	Thielman et al.	D9/516
D621,220	S	*	8/2010	Lown et al.	D7/510
D621,951	S	*	8/2010	Bucholtz et al.	D24/224

* cited by examiner

Primary Examiner—Marianne Pandozzi

(74) *Attorney, Agent, or Firm*—Kleinberg & Lerner, LLP;
Marvin H. Kleinberg

(57) **CLAIM**

The ornamental design for a beverage container, as shown and described.

DESCRIPTION

FIG. 1 is a top perspective view of a beverage container showing my new design;

FIG. 2 is a front view of the beverage container of FIG. 1;

FIG. 3 is a left side view of the beverage container of FIG. 1;

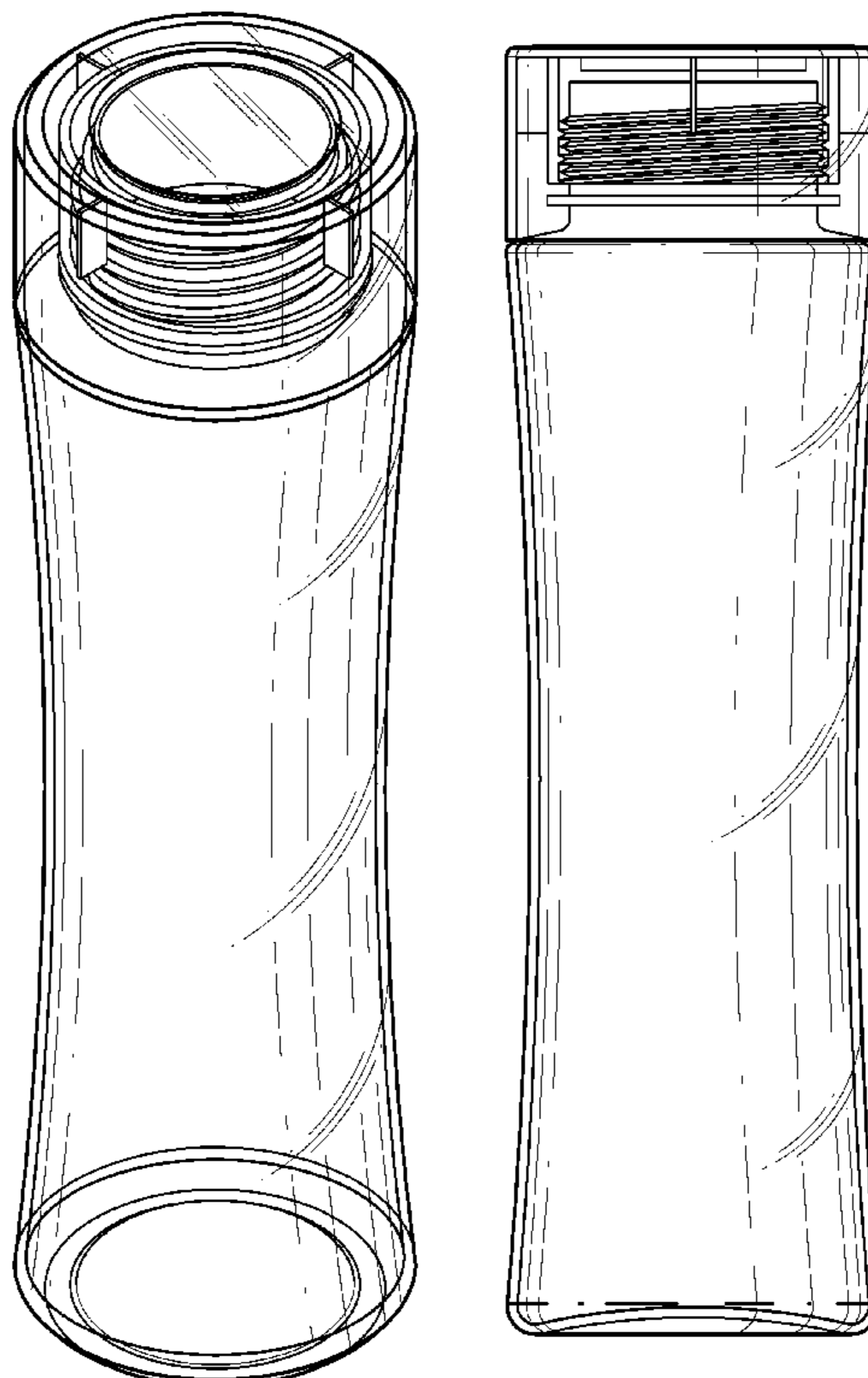
FIG. 4 is a right side view of the beverage container of FIG. 1;

FIG. 5 is a rear view of the beverage container of FIG. 1;

FIG. 6 is an enlarged top plan view thereof; and,

FIG. 7 is an enlarged bottom plan view thereof.

1 Claim, 6 Drawing Sheets



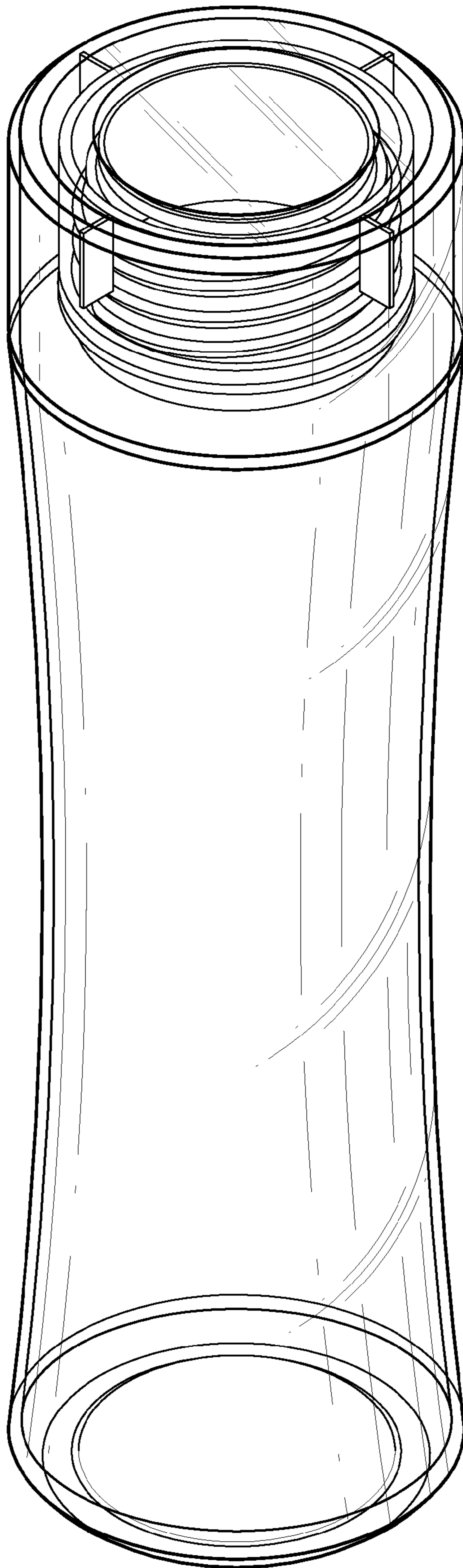


FIG. 1



FIG. 2

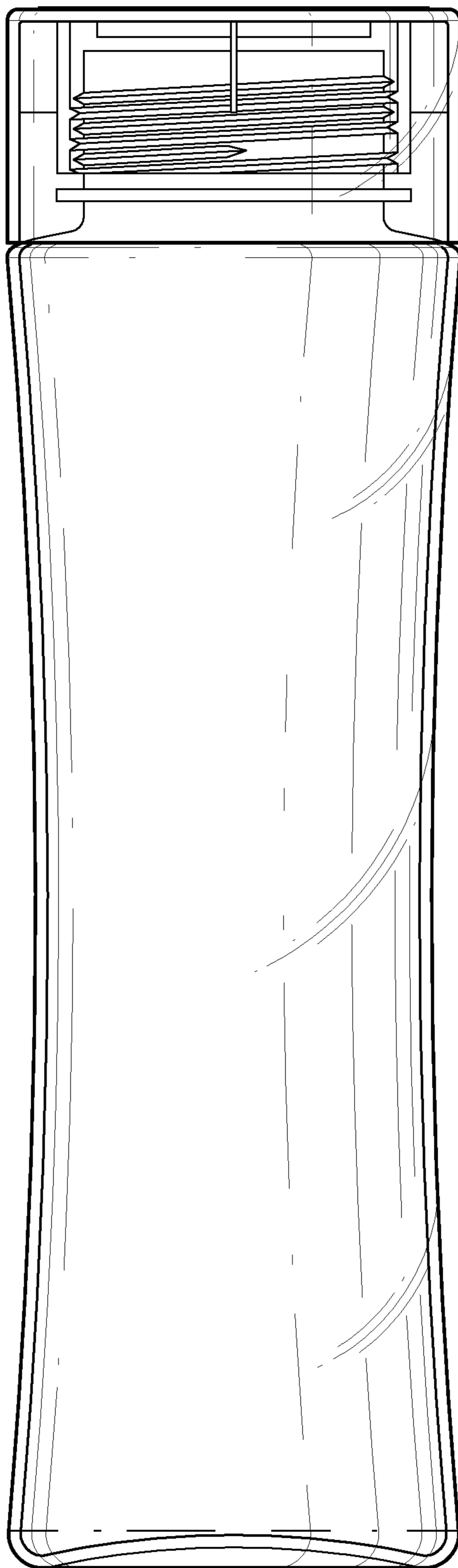


FIG. 3

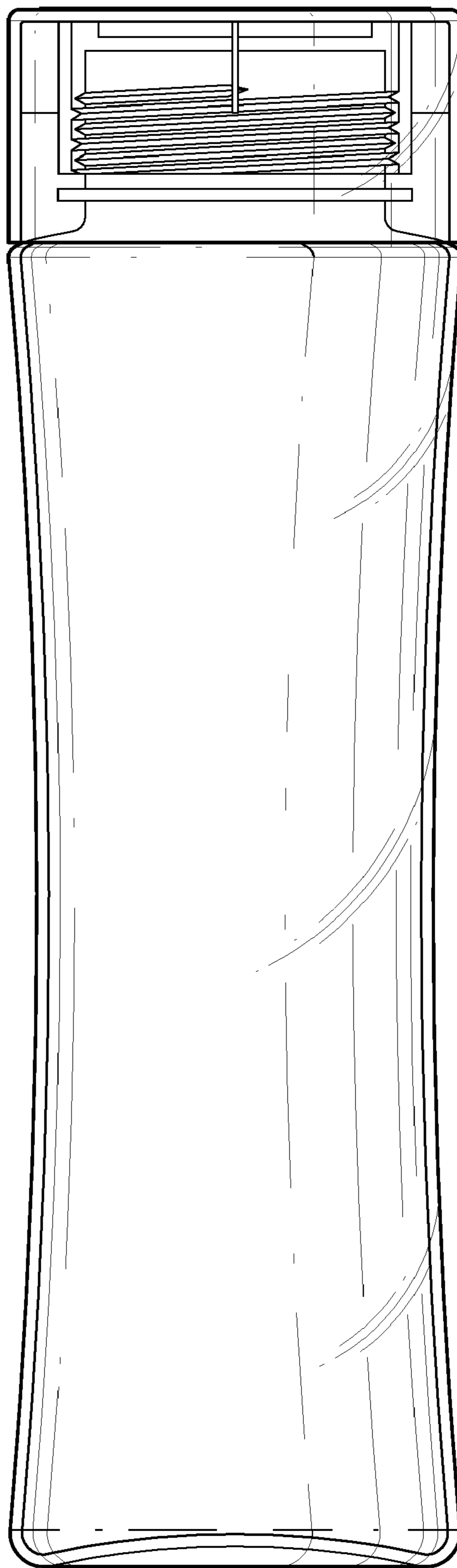


FIG. 4

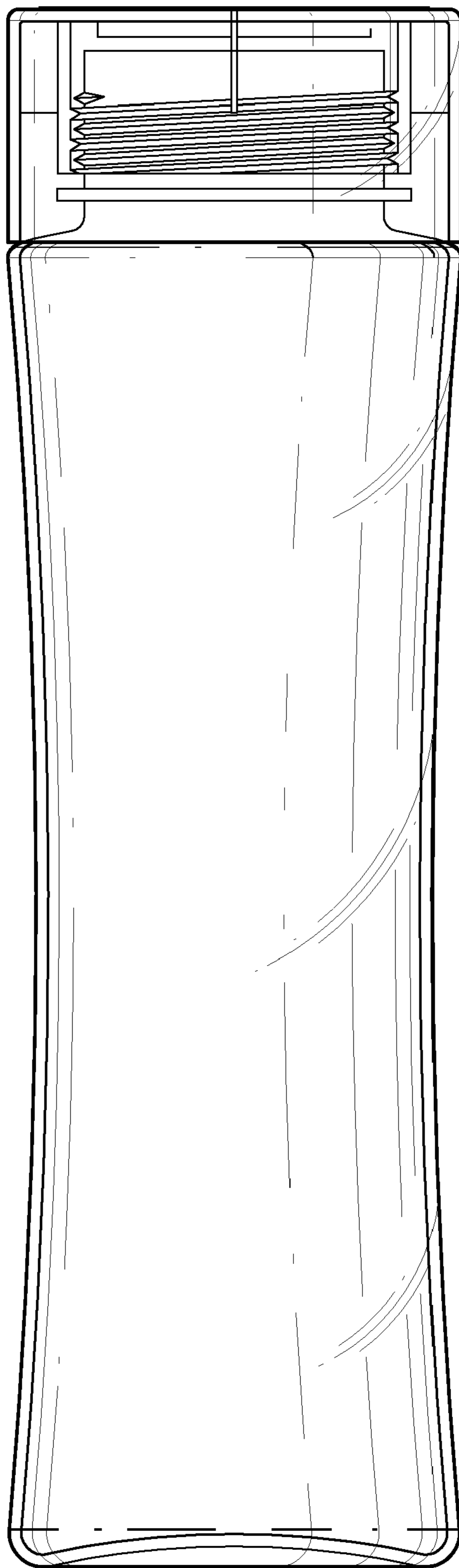


FIG. 5

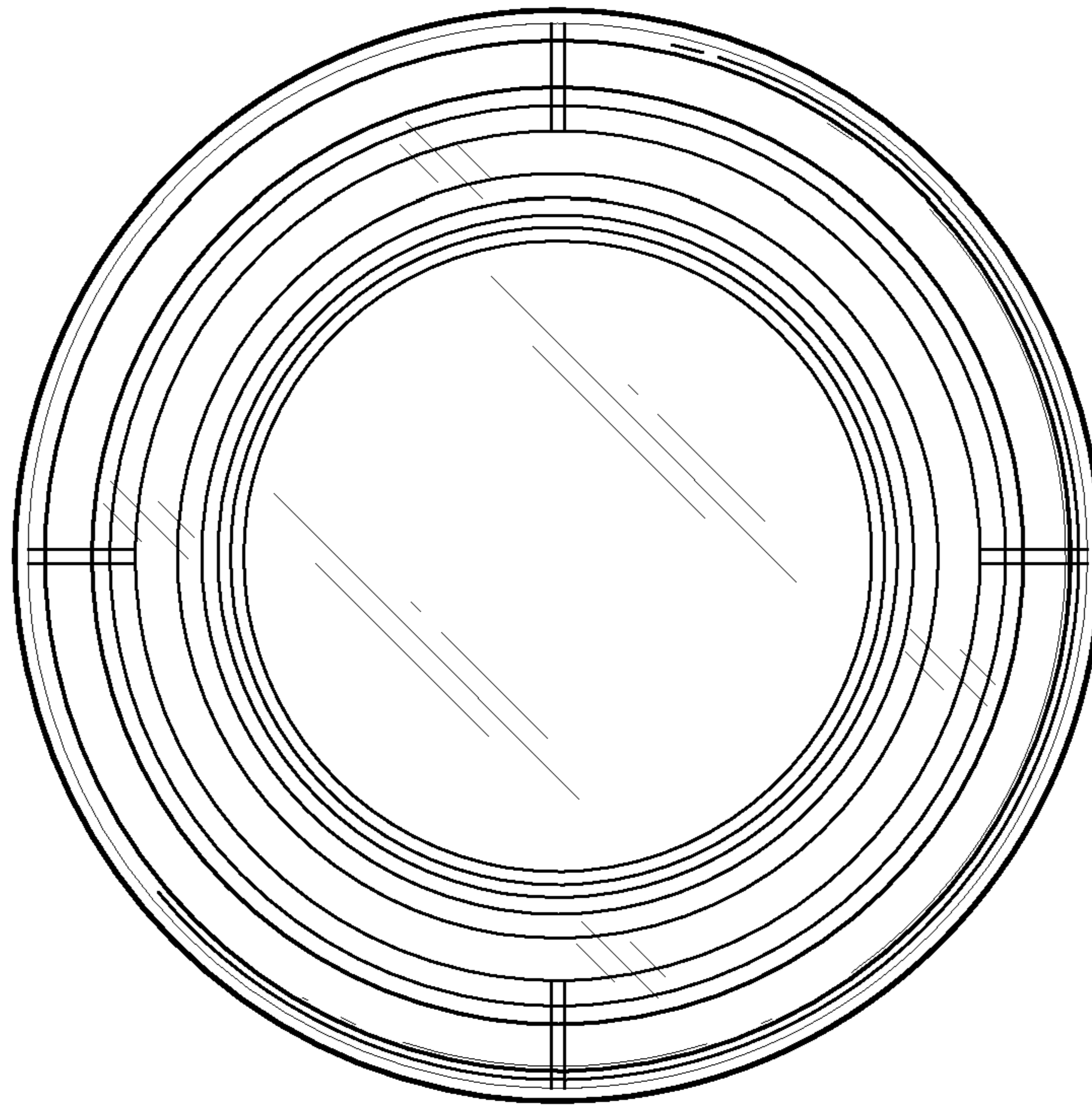


FIG. 6

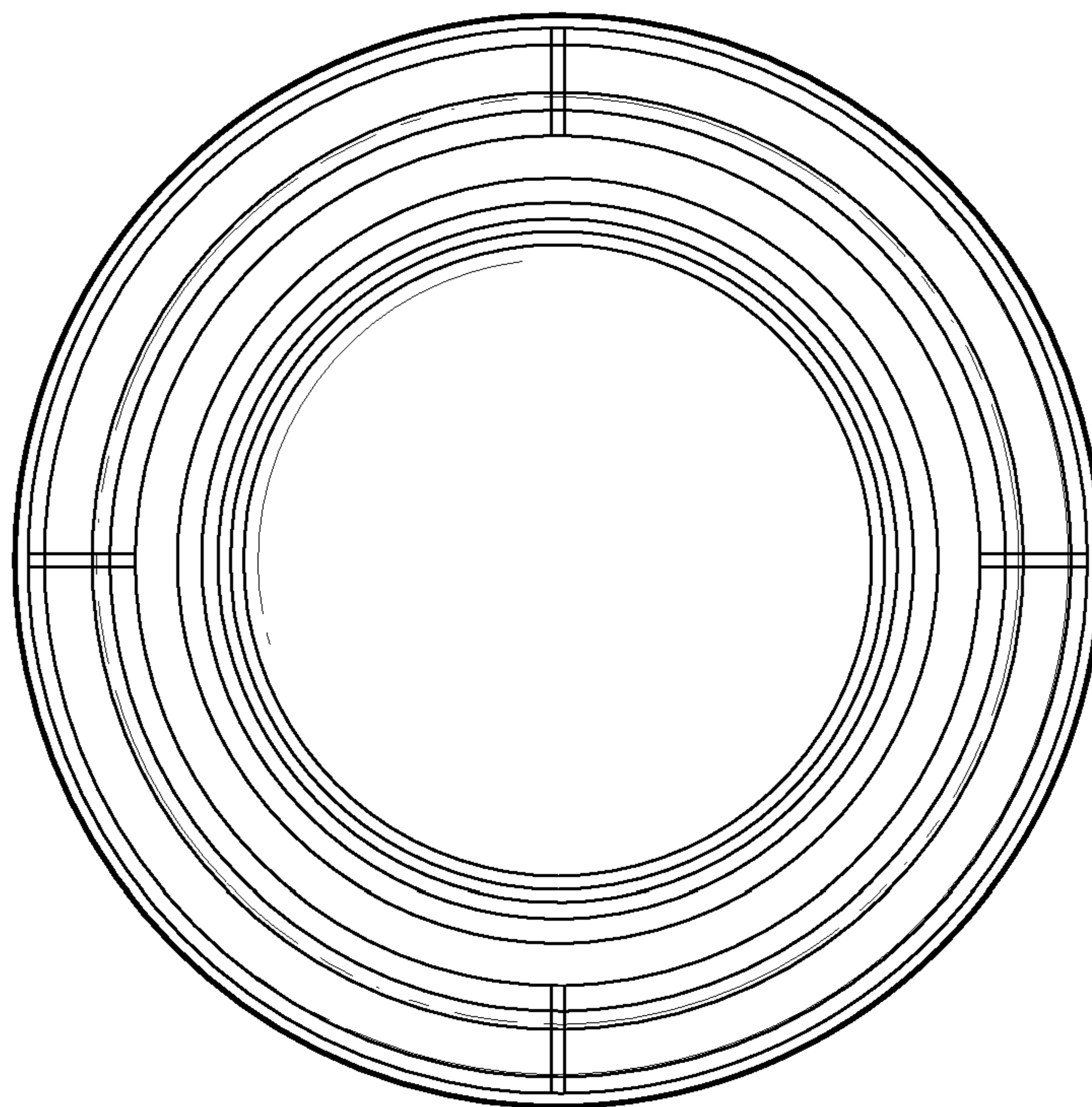


FIG. 7