



US00D627598S

(12) **United States Design Patent**
Boonprasop

(10) **Patent No.:** **US D627,598 S**

(45) **Date of Patent:** **** *Nov. 23, 2010**

(54) **BOTTLE**

(75) Inventor: **Pruck Boonprasop**, Samut Sakorn (TH)

(73) Assignee: **Royal Industries (Thailand)**, Samut Sakorn (TH)

(*) Notice: This patent is subject to a terminal disclaimer.

(**) Term: **14 Years**

(21) Appl. No.: **29/342,263**

(22) Filed: **Aug. 20, 2009**

(30) **Foreign Application Priority Data**

Feb. 20, 2009 (EM) 001091789

(51) **LOC (9) Cl.** **07-01**

(52) **U.S. Cl.** **D7/509; D7/511; D7/510; D7/396.2**

(58) **Field of Classification Search** D7/509, D7/536, 533, 534, 510, 511, 392.1, 396.2, D7/396.6; D24/197; 215/11.3, 11.1, 11.5, 215/384, 229; 220/703, 705, 713, 254.1, 220/714, 719

See application file for complete search history.

(56) **References Cited**

U.S. PATENT DOCUMENTS

D423,107 S * 4/2000 Brown et al. D24/197

D576,849 S * 7/2003 Randolph D7/510
D496,733 S * 9/2004 Morano et al. D24/197
D504,049 S * 4/2005 Morano et al. D7/534
6,978,908 B2 * 12/2005 Morano et al. 215/396
7,568,588 B2 * 8/2009 Yourist 215/381
D609,527 S * 2/2010 Roehrig et al. D7/510
D609,528 S * 2/2010 Roehrig et al. D7/510
2002/0017502 A1 * 2/2002 Renz 215/384
2003/0141268 A1 * 7/2003 Kerns et al. 215/11.1

* cited by examiner

Primary Examiner—Marianne Pandozzi

(74) *Attorney, Agent, or Firm*—Steven L. Nichols; VanCott, Bagley, Cornwall & McCarthy PC

(57) **CLAIM**

The ornamental design for a bottle, as shown and described.

DESCRIPTION

FIG. 1 is a front perspective view of a bottle showing the new design;

FIG. 2 is a front elevation view of the bottle;

FIG. 3 is a right side elevation view of the bottle;

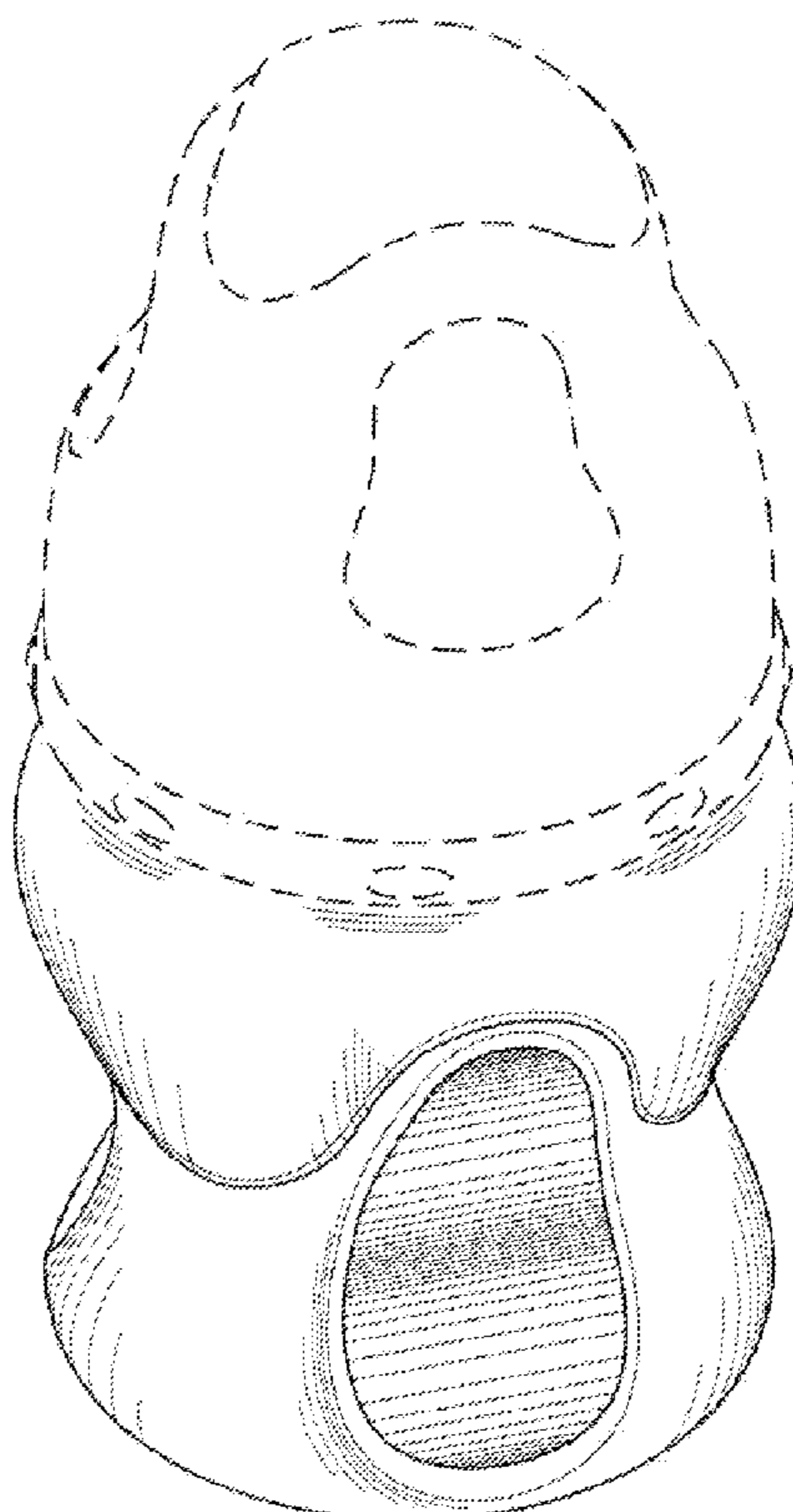
FIG. 4 is a top plan view of the bottle;

FIG. 5 is a left side elevation view of the bottle; and,

FIG. 6 is another side elevation thereof.

The broken lines in the drawings are included for the purpose of illustration and form no part of the claimed design.

1 Claim, 6 Drawing Sheets



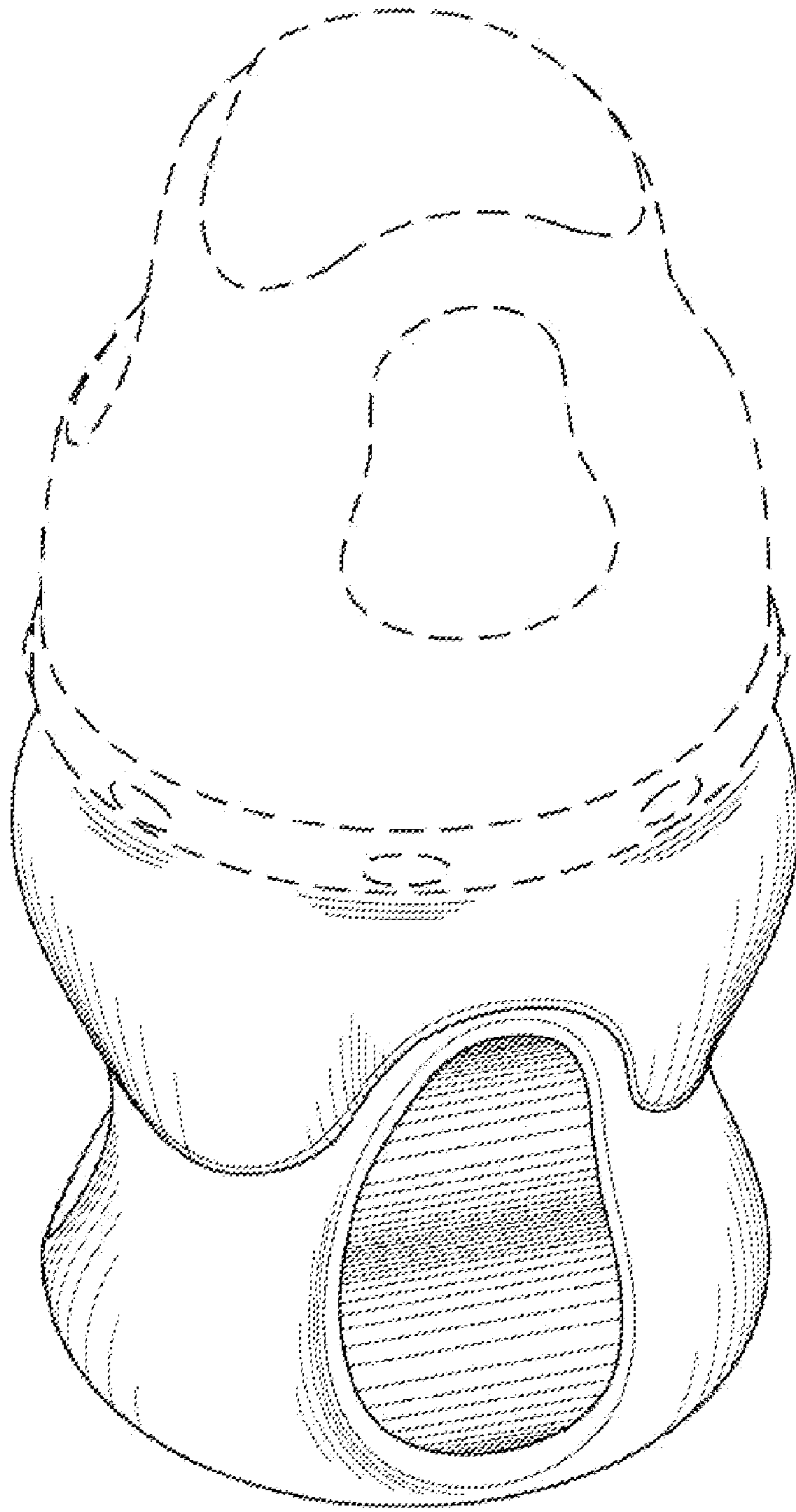


Fig. 1

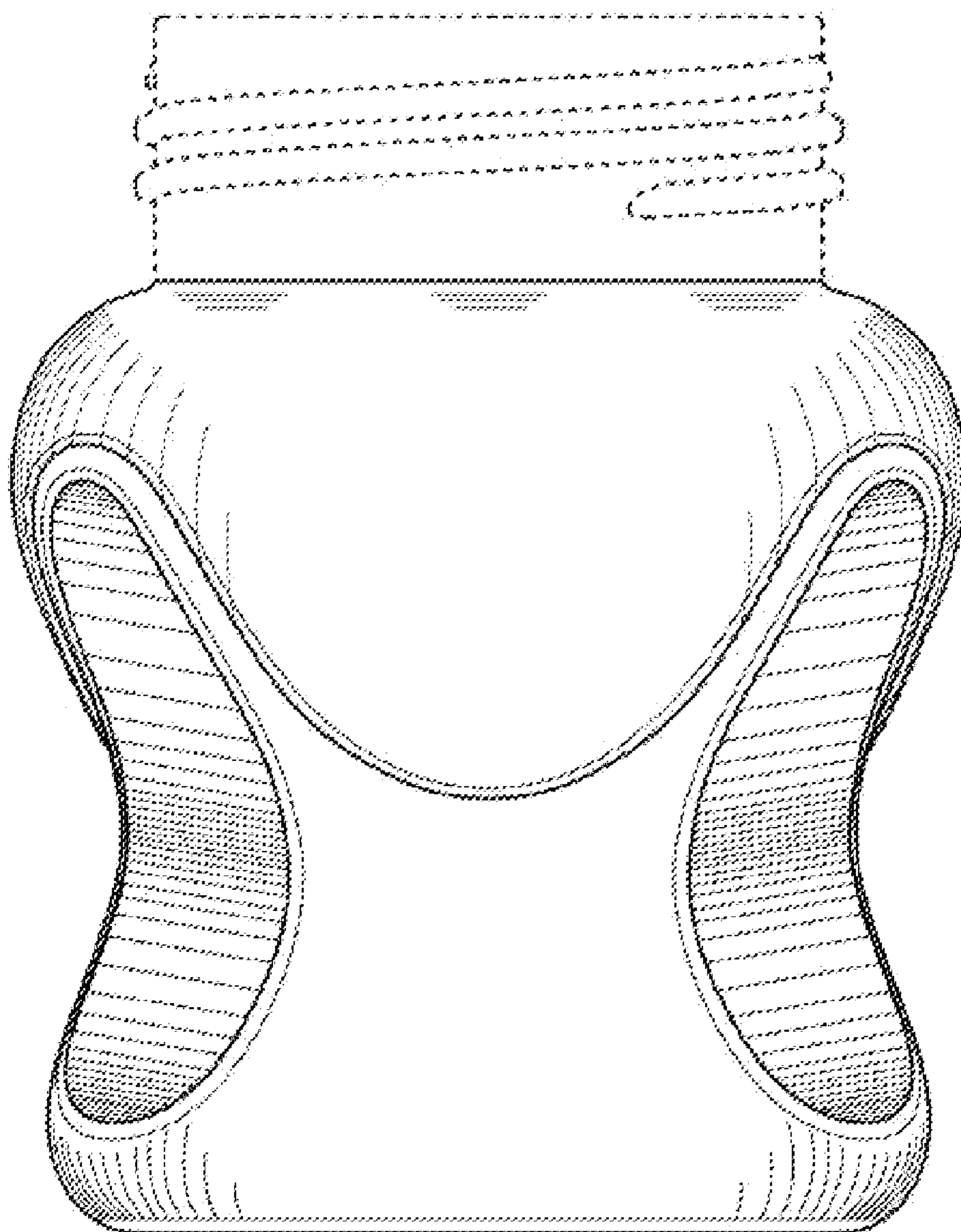


Fig. 2

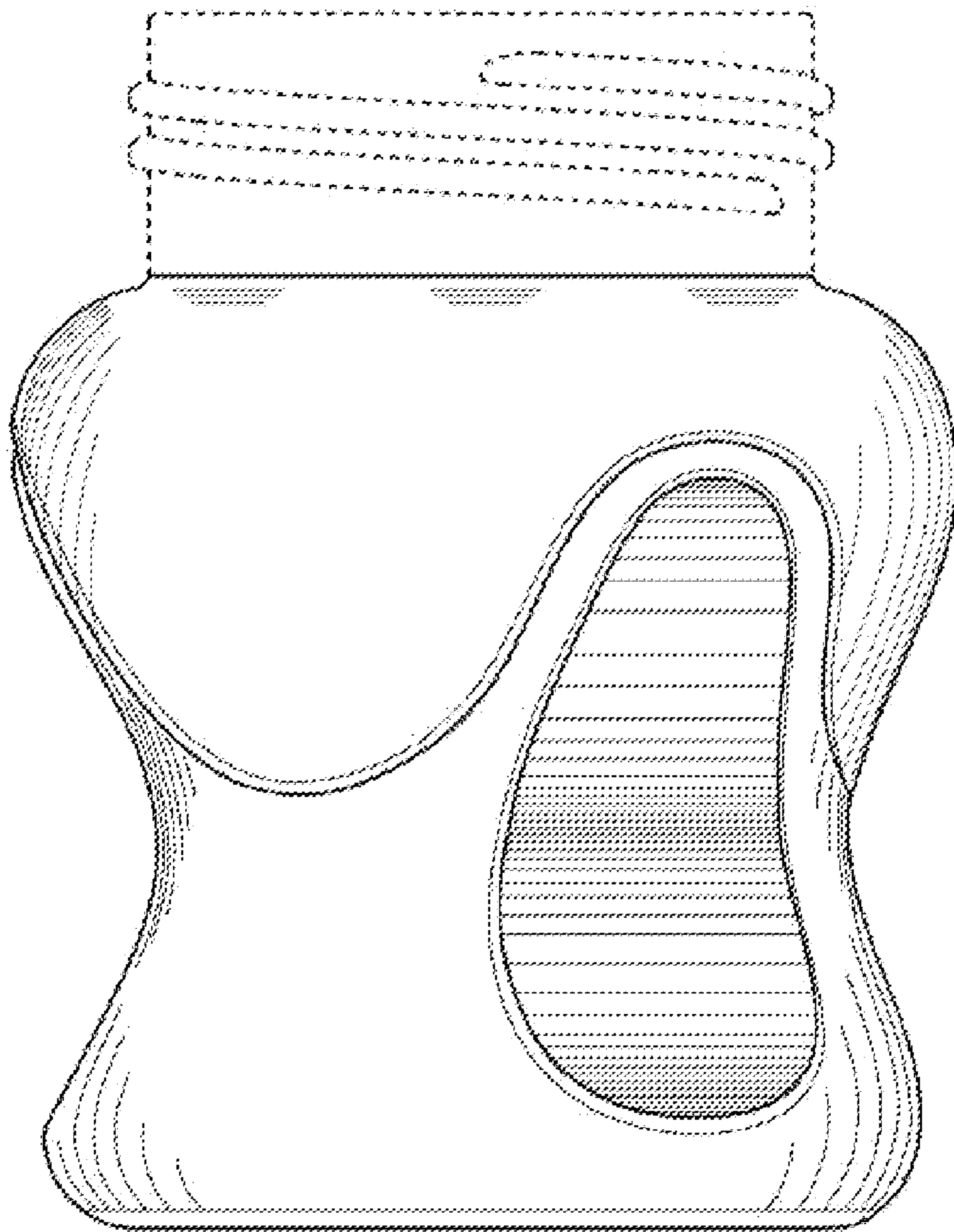


Fig. 3

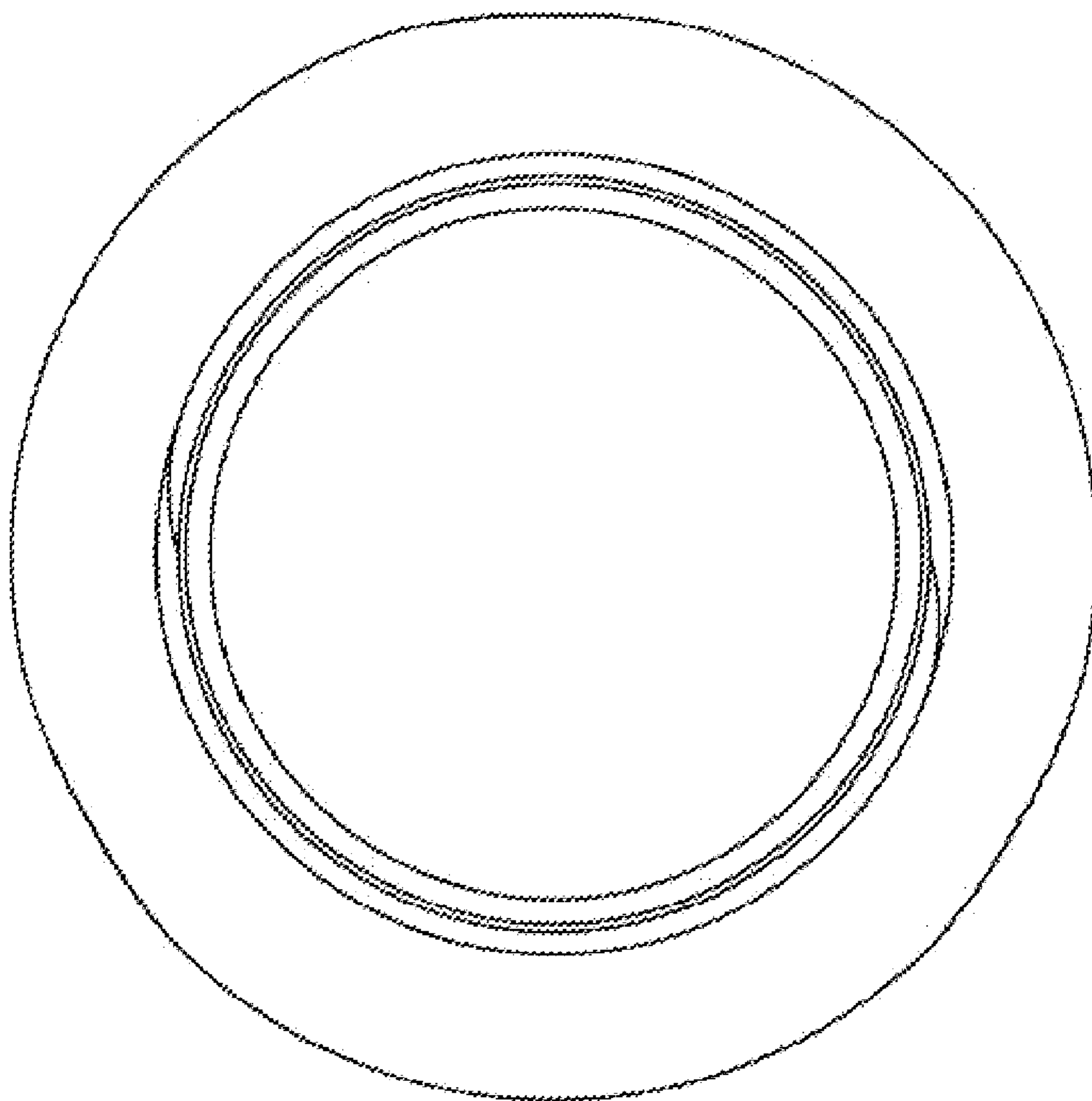


Fig. 4

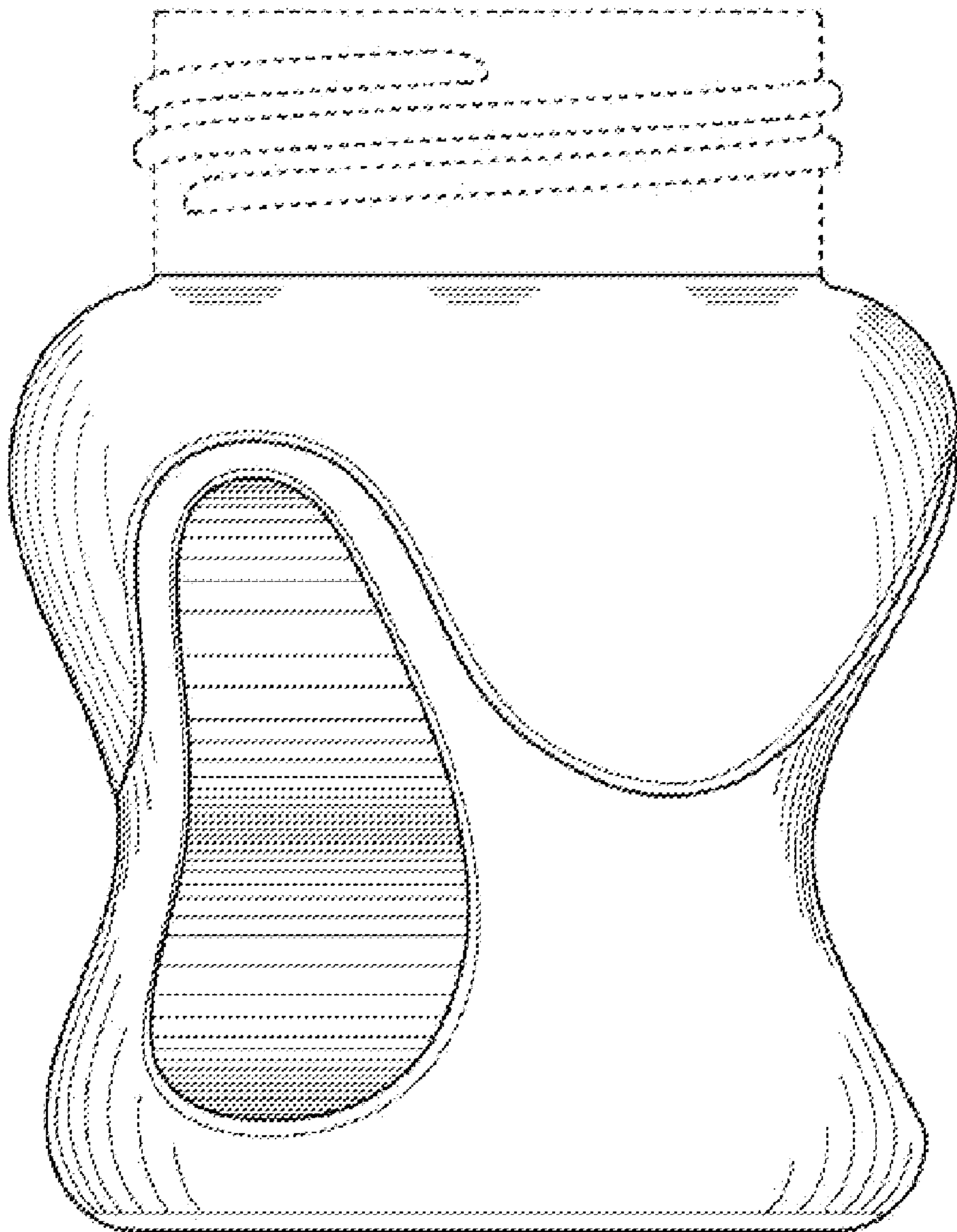


Fig. 5

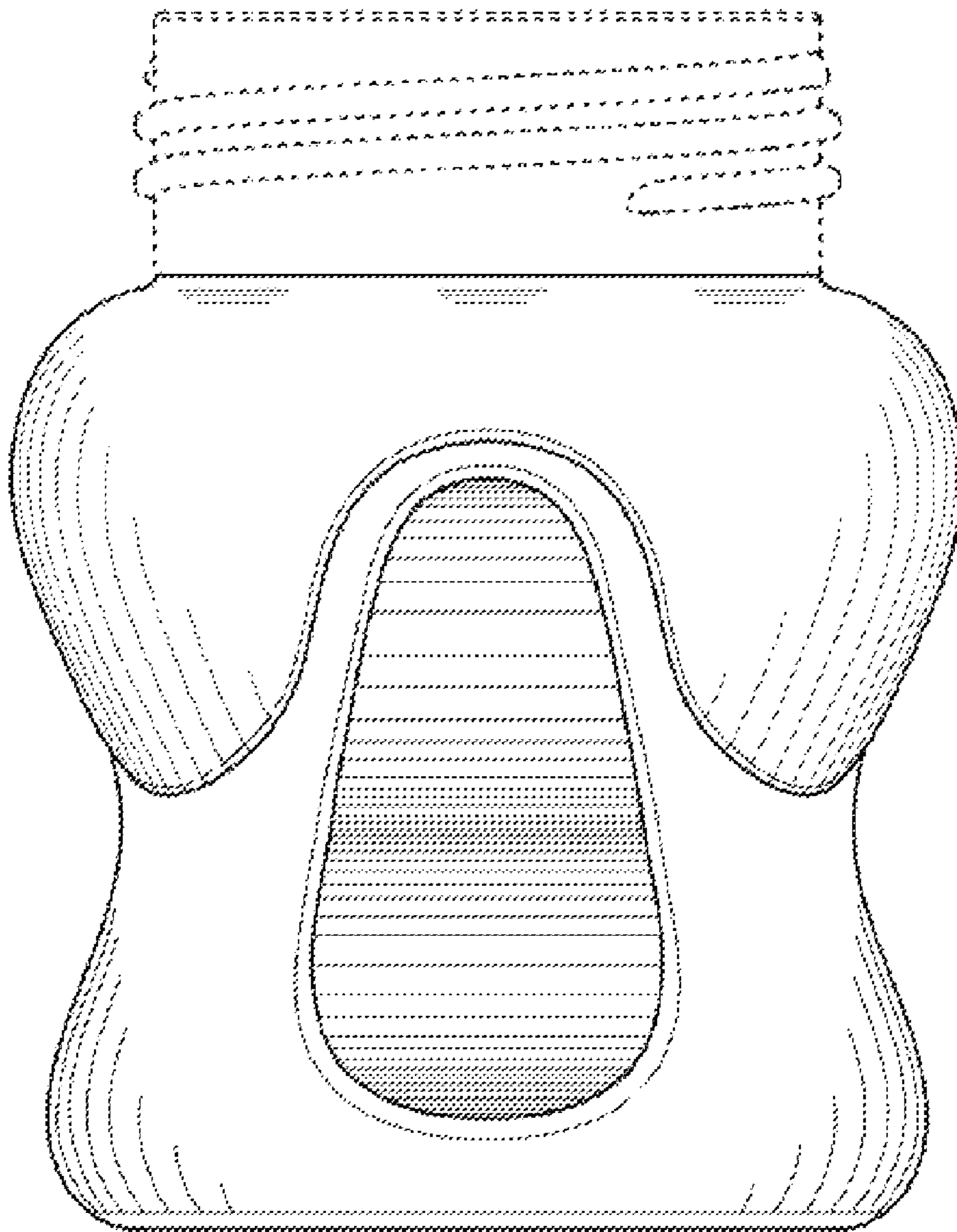


Fig. 6