



US00D627595S

(12) **United States Design Patent**  
**Jennings**

(10) **Patent No.:** **US D627,595 S**  
(45) **Date of Patent:** **\*\* Nov. 23, 2010**

(54) **SPOUT RING LID WITH CAP**

**DESCRIPTION**

(76) Inventor: **James Edward Jennings**, P.O. Box 270081, Luoisville, CO (US) 80027

(\*\*) Term: **14 Years**

(21) Appl. No.: **29/348,009**

(22) Filed: **Nov. 17, 2009**

(51) **LOC (9) Cl.** ..... **07-01**

(52) **U.S. Cl.** ..... **D7/392.1; D7/396.2; D7/900; D9/445**

(58) **Field of Classification Search** ..... D7/510, D7/392.1, 396.2, 900, 511; D9/447, 453, D9/444, 445; 220/717, 521, 713; 215/11.1, 215/11.5; D24/121, 197, 199

See application file for complete search history.

(56) **References Cited**

**U.S. PATENT DOCUMENTS**

2,623,524	A *	12/1952	Clemens	.....	215/11.4
D179,333	S *	11/1956	Tupper	.....	D9/447
2,816,548	A *	12/1957	Tupper	.....	215/11.1
D310,567	S *	9/1990	Fitzpatrick	.....	D24/197
4,961,510	A *	10/1990	Dvoracek	.....	220/713
D315,213	S *	3/1991	Ohnuki	.....	D24/197
D316,517	S *	4/1991	Coy	.....	D9/447
5,105,979	A *	4/1992	Bakx et al.	.....	221/150 HC
D368,624	S *	4/1996	Forrer	.....	D7/392.1
D369,943	S	5/1996	Dark		
D372,426	S *	8/1996	Garnett	.....	D9/447
D375,019	S	10/1996	Goto		

(Continued)

*Primary Examiner*—Marianne Pandozzi

(74) *Attorney, Agent, or Firm*—Kammer Browning PLLC

(57) **CLAIM**

The ornamental design for a spout ring lid with cap, as shown and described.

FIG. 1 is a perspective view of a spout ring lid with cap with the cap portion removed for ease of illustration showing my new design;

FIG. 2 is a front elevational view of the spout ring lid portion of the spout ring lid with cap with the cap portion removed for ease of illustration.

FIG. 3 is a side elevational view of the spout ring lid portion of the spout ring lid with cap with the cap portion removed for ease of illustration.

FIG. 4 is a top plan view of the spout ring lid portion of the spout ring lid with cap with the cap portion removed for ease of illustration.

FIG. 5 is a cross-sectional view of the spout ring lid portion of the spout ring lid with cap taken along line 5—5 of FIG. 4.

FIG. 6 is a cross-sectional view of the spout ring lid portion of the spout ring lid with cap taken along line 6—6 of FIG. 4.

FIG. 7 is a partially exploded perspective view of a spout ring lid with cap showing the cap portion separated from the spout ring lid portion.

FIG. 8 is a perspective view of a spout ring lid with cap showing my new design.

FIG. 9 is a front elevational view of the cap portion of the spout ring lid with cap with the spout ring lid portion removed for ease of illustration.

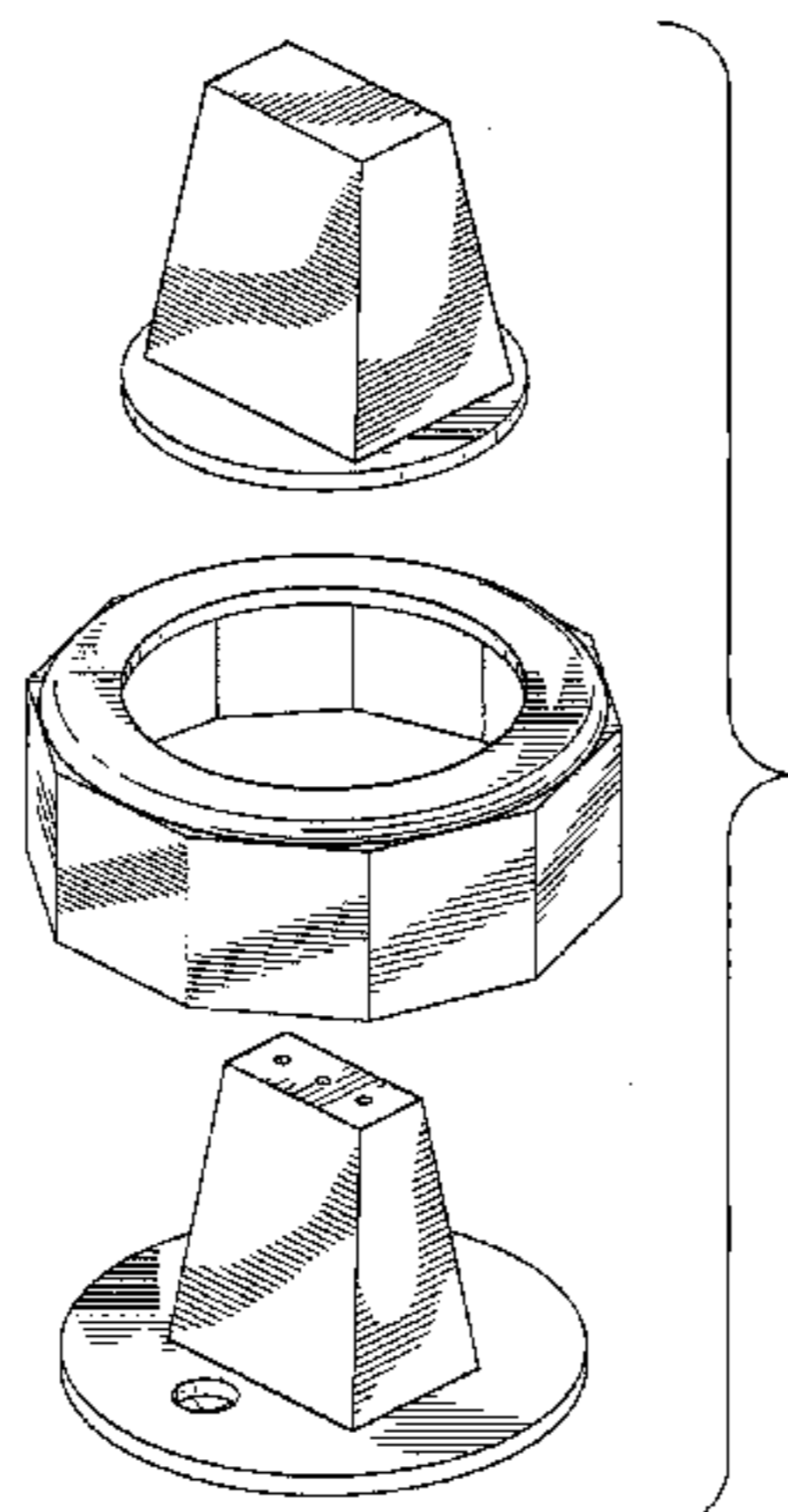
FIG. 10 is a cross-sectional view of the spout ring lid with cap taken along line 10—10 of FIG. 8.

FIG. 11 is a cross-sectional view of the spout ring lid with cap taken along line 11—11 of FIG. 8; and,

FIG. 12 is an exploded perspective view of a spout ring lid with cap showing the cap portion and the ring lid portion separated from the spout portion.

A no spill spout and cap providing attachment with a ring shaped lid closure.

**1 Claim, 7 Drawing Sheets**



# US D627,595 S

Page 2

---

## U.S. PATENT DOCUMENTS

5,607,073	A *	3/1997	Forrer .....	215/11.4	D457,778	S	5/2002	Randolph	
D387,247	S	12/1997	Randolph		D461,361	S	8/2002	Orr	
D397,906	S	9/1998	Briggs		D476,890	S	7/2003	Hirose	
D429,443	S *	8/2000	D'Alessio .....	D7/392.1	D520,809	S	5/2006	Randolph	
D430,455	S	9/2000	Pickens		D528,910	S *	9/2006	Kingsley .....	D9/446
6,112,926	A *	9/2000	Fishman .....	215/389	D584,103	S	1/2009	Valderrama	
D434,944	S	12/2000	Randolph		D584,151	S *	1/2009	Murphy .....	D9/453
D446,685	S	8/2001	Atkin		D599,616	S	9/2009	Cresswell	

\* cited by examiner

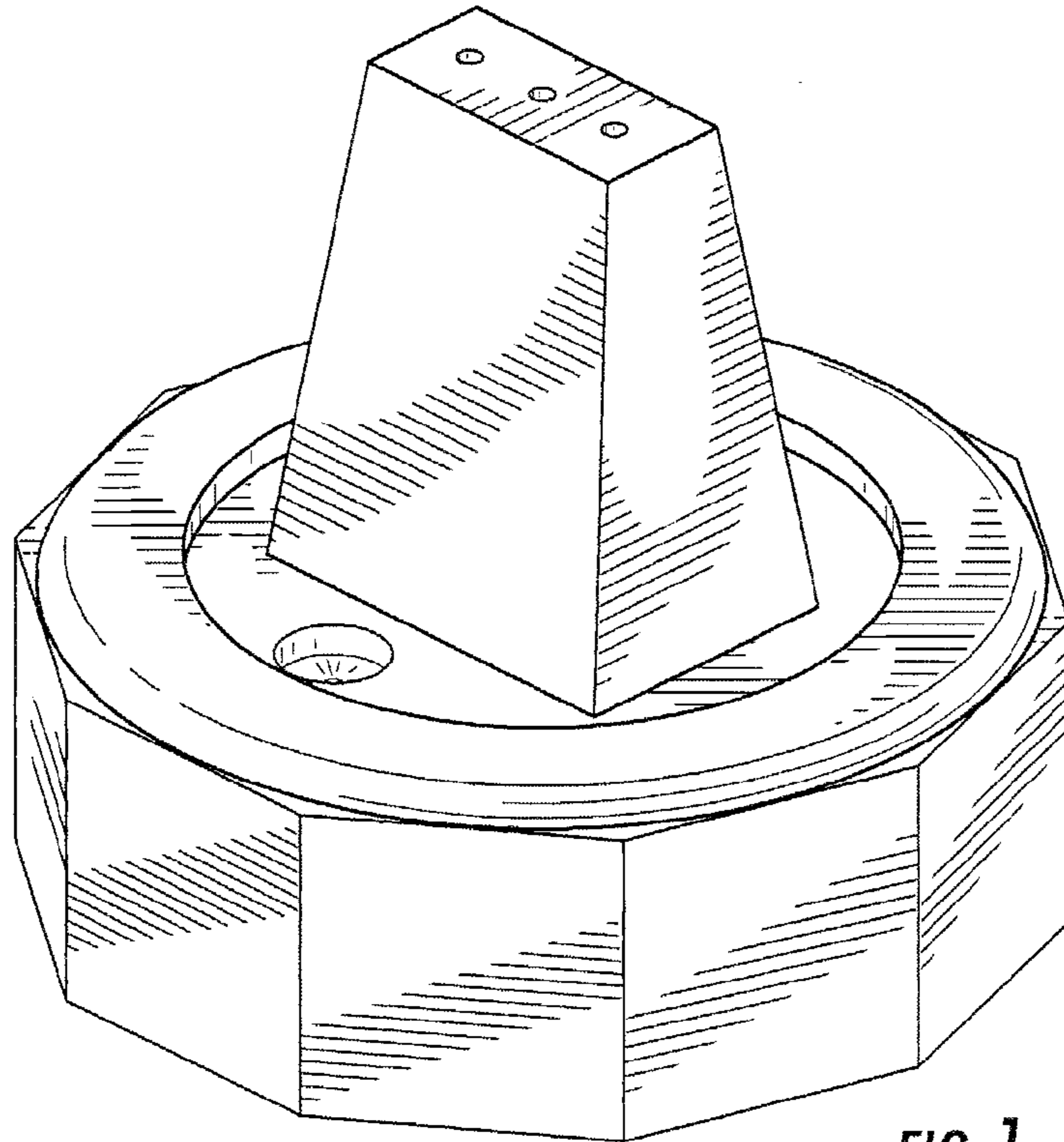


FIG. 1

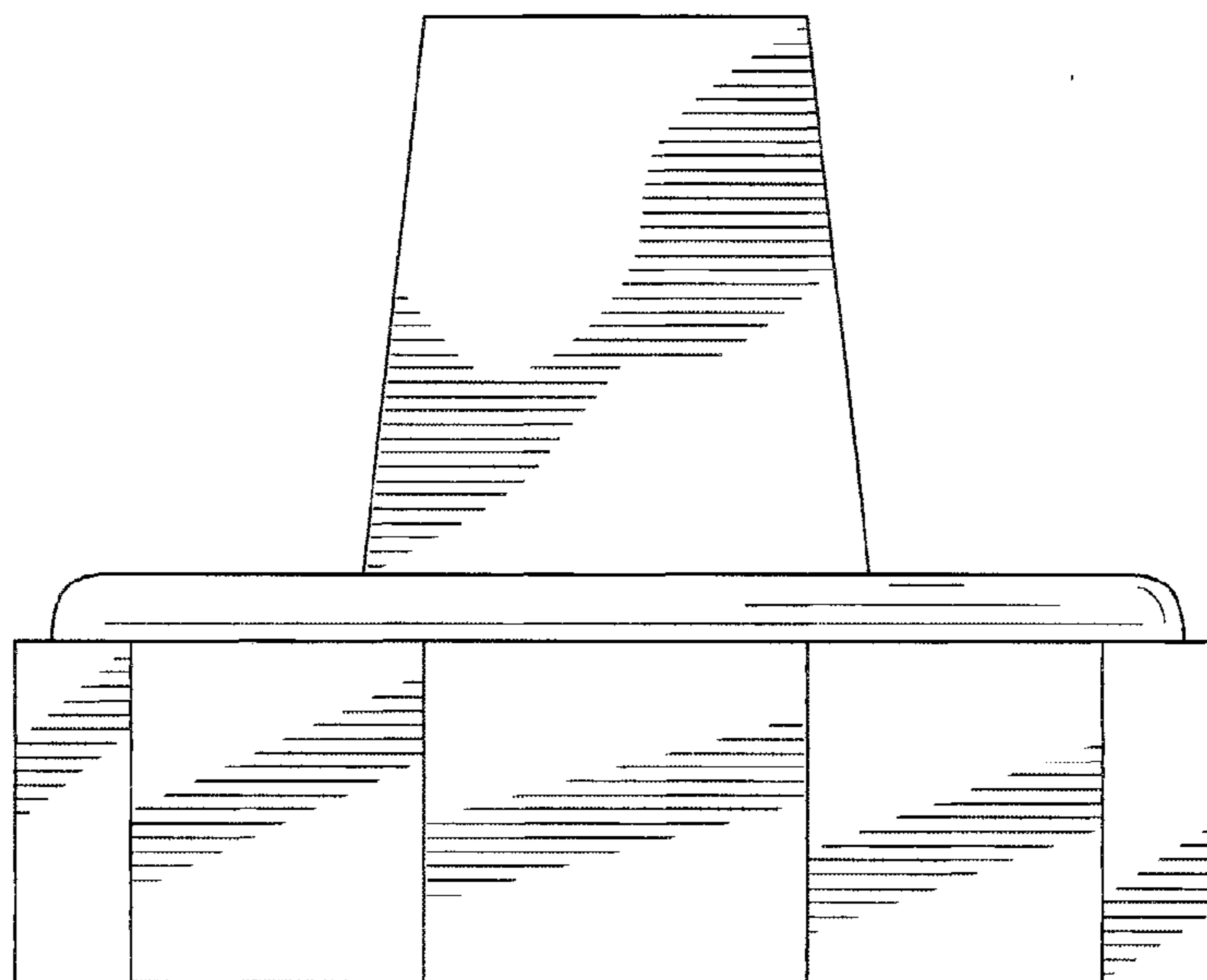


FIG. 2

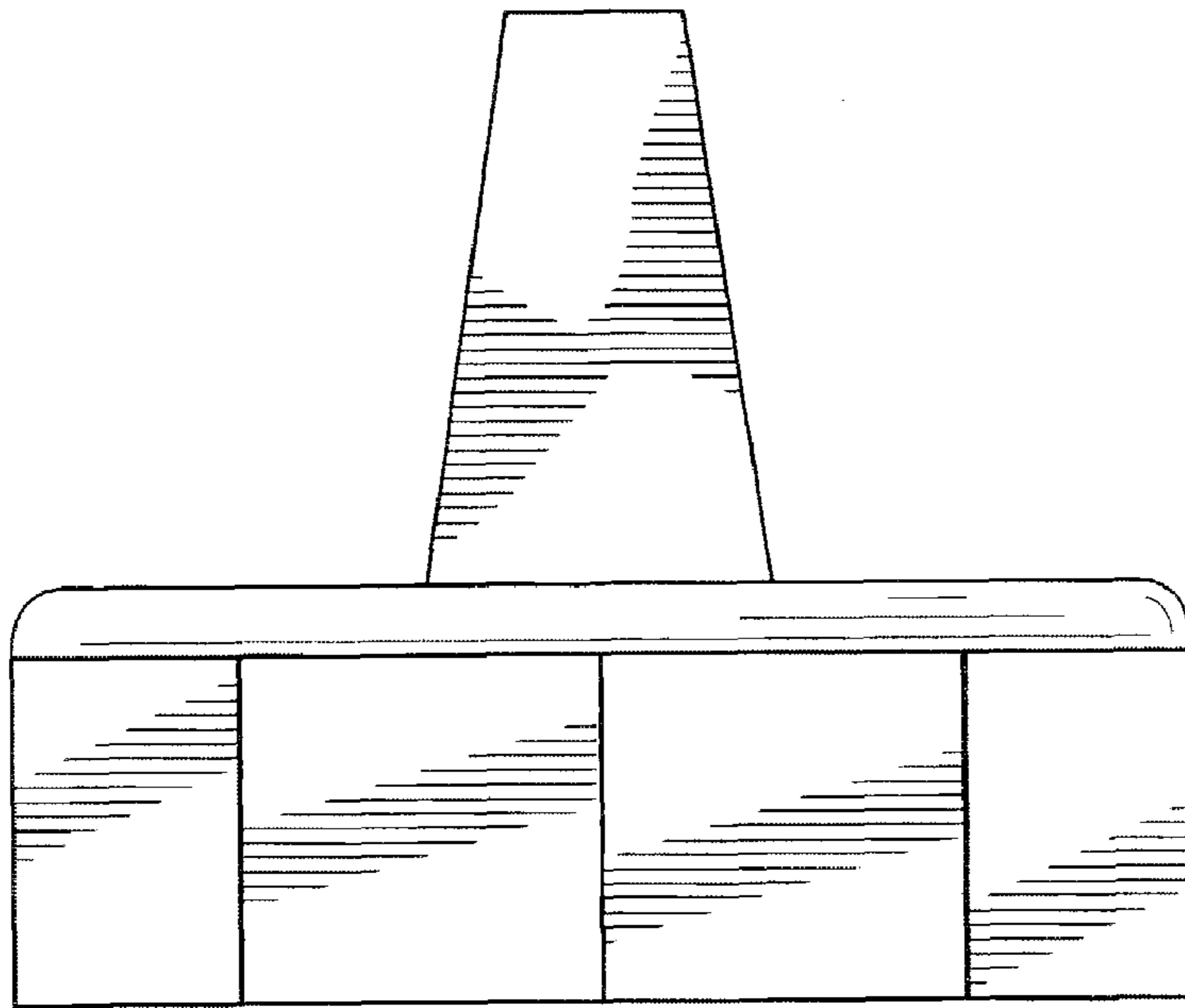


FIG. 3

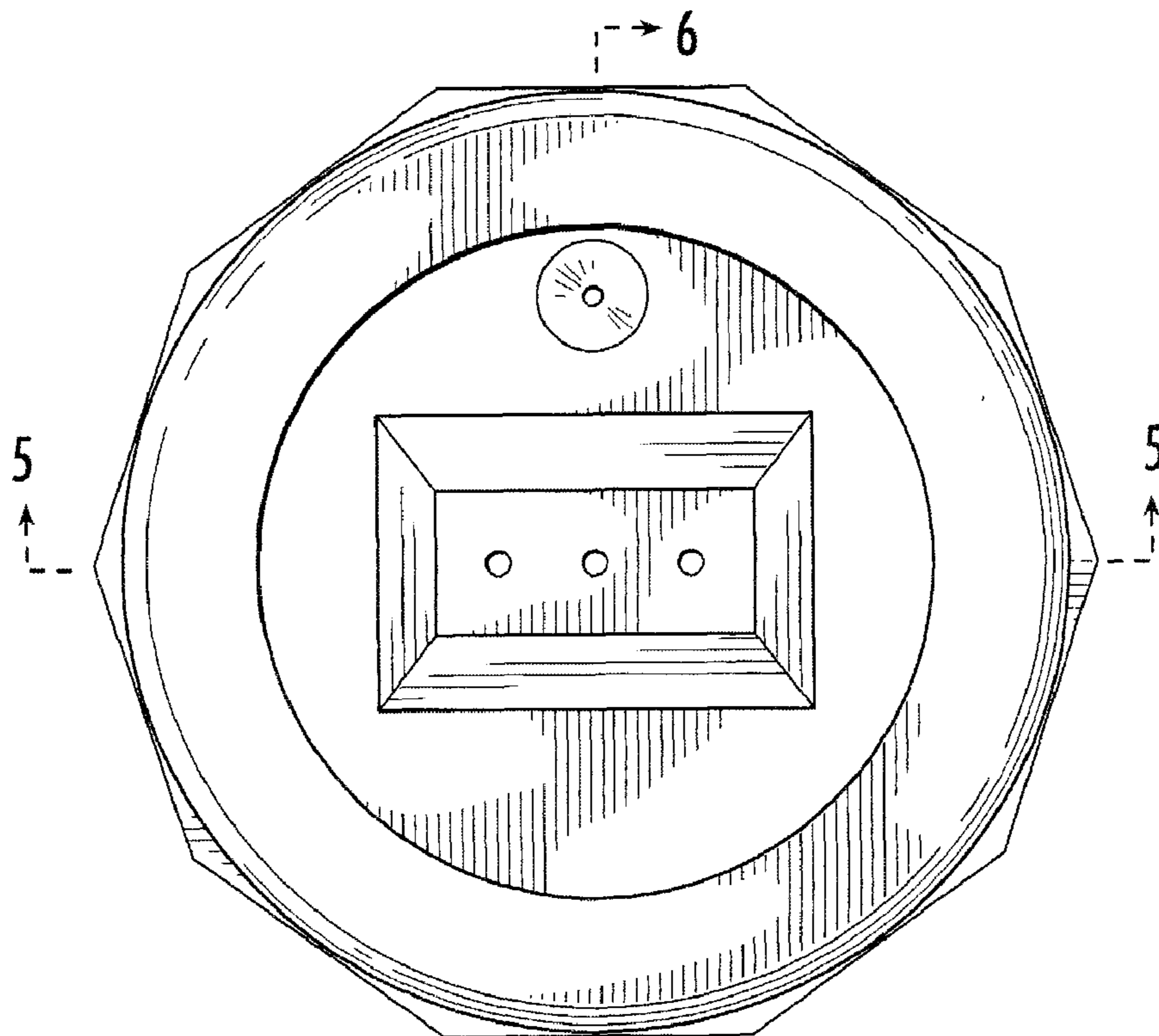


FIG. 4

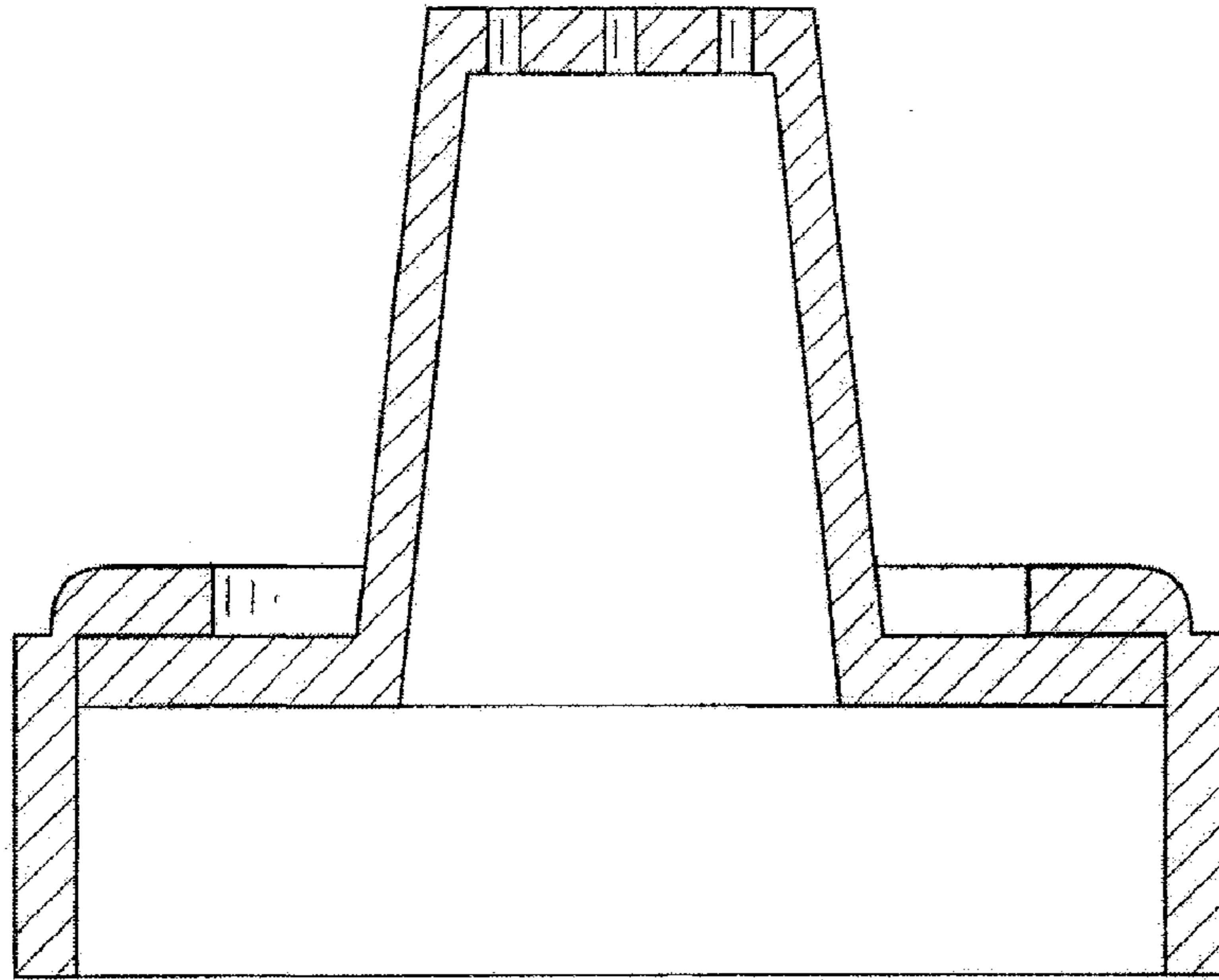


FIG. 5

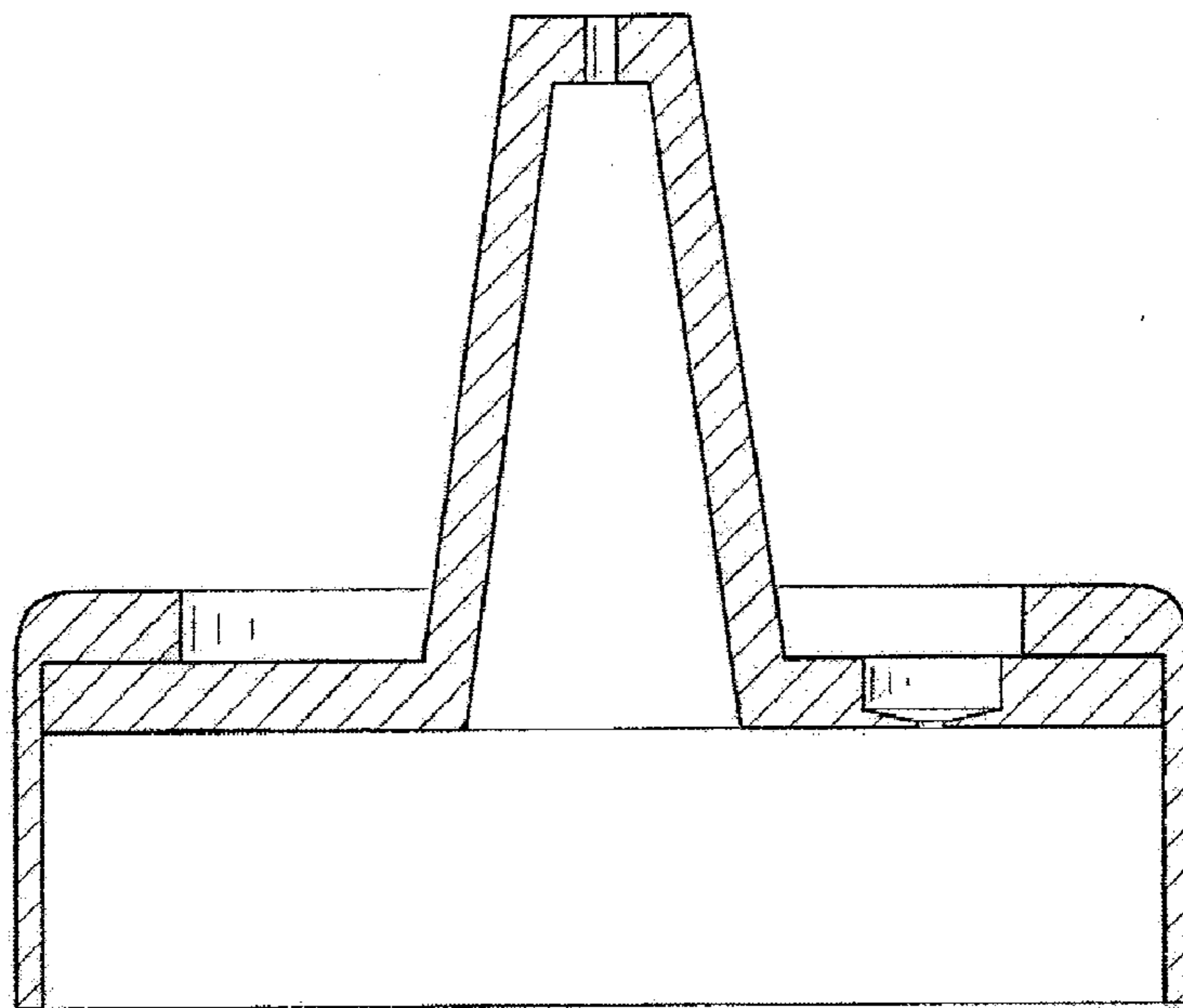


FIG. 6

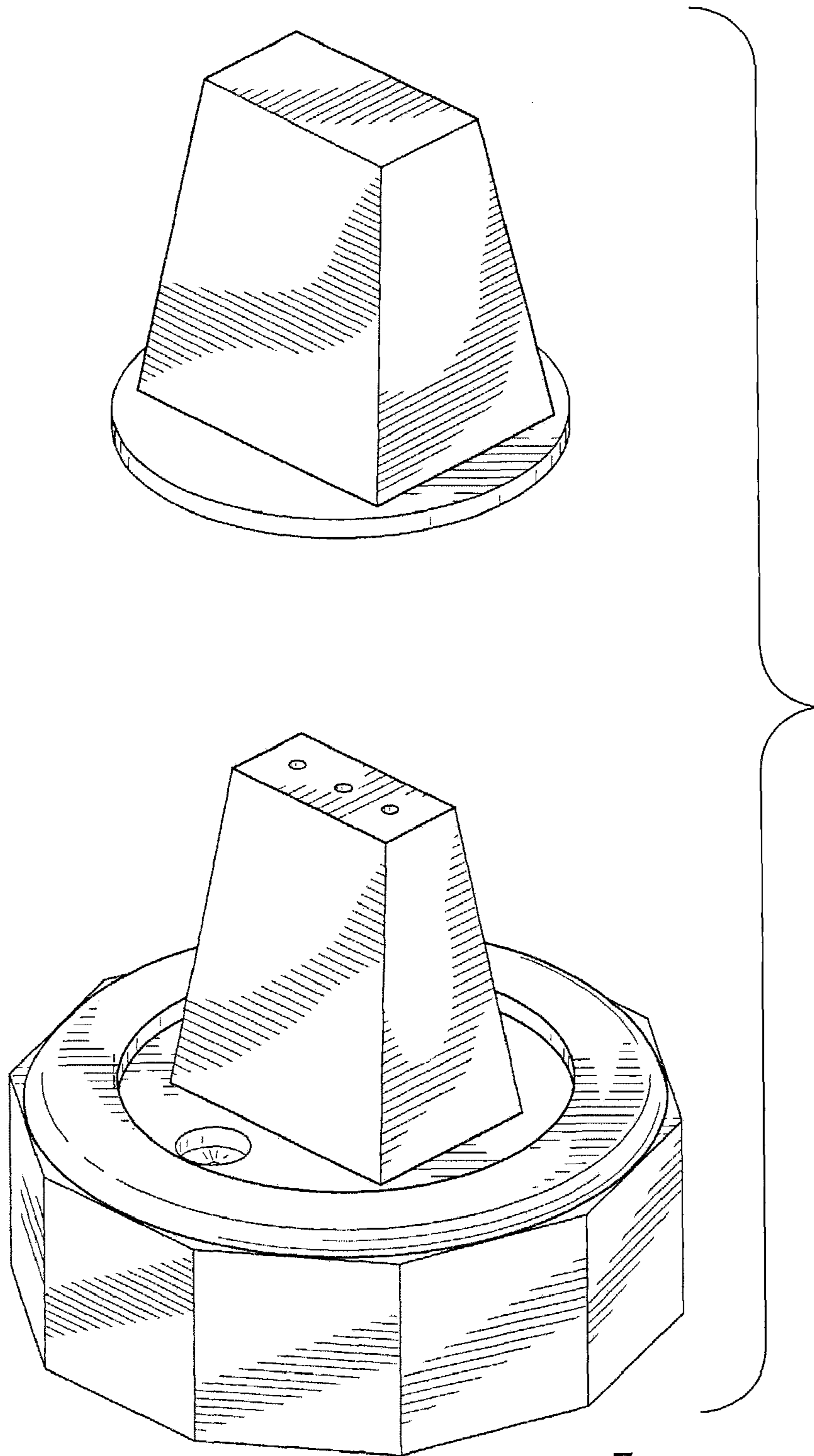


FIG. 7

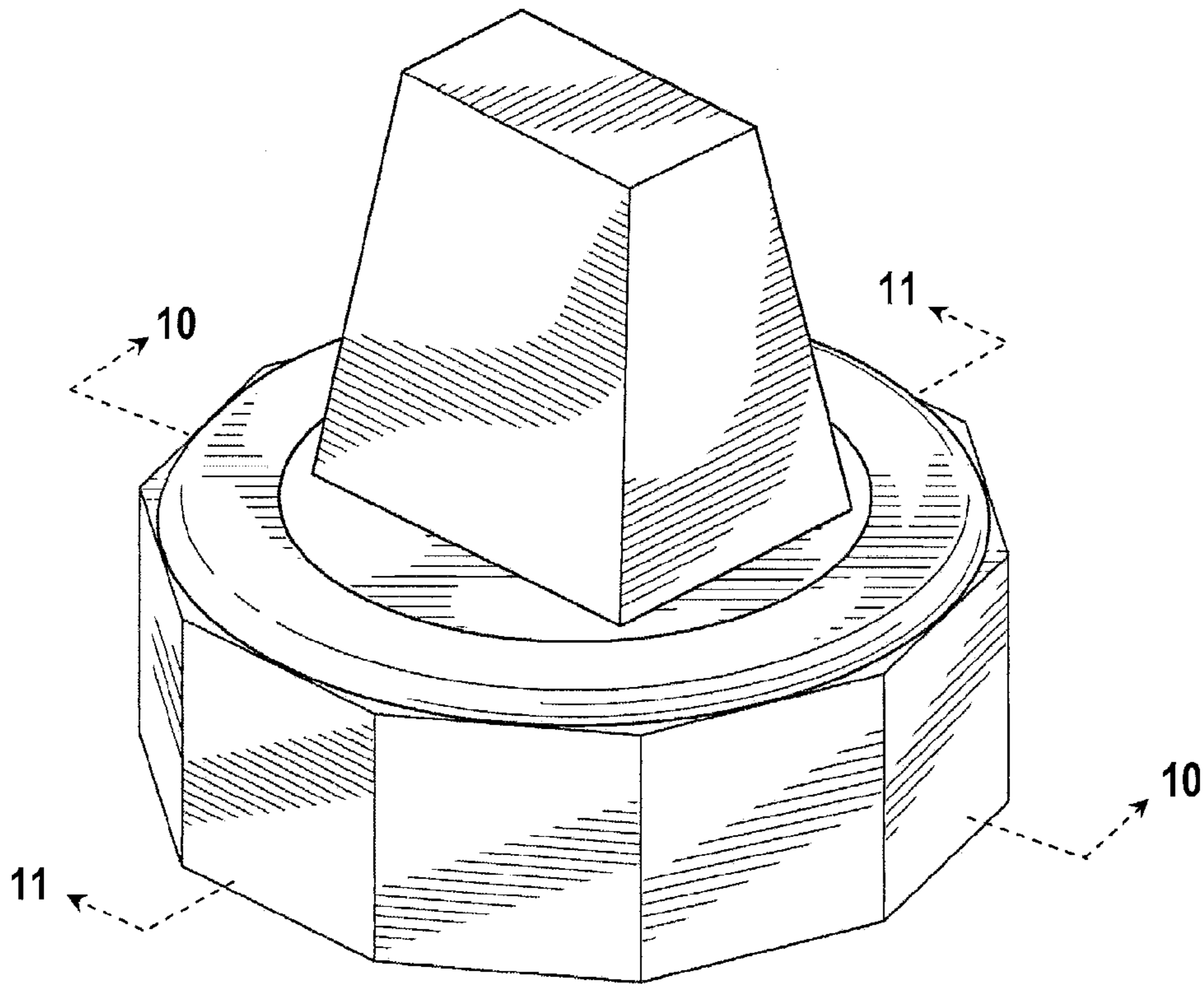


FIG. 8

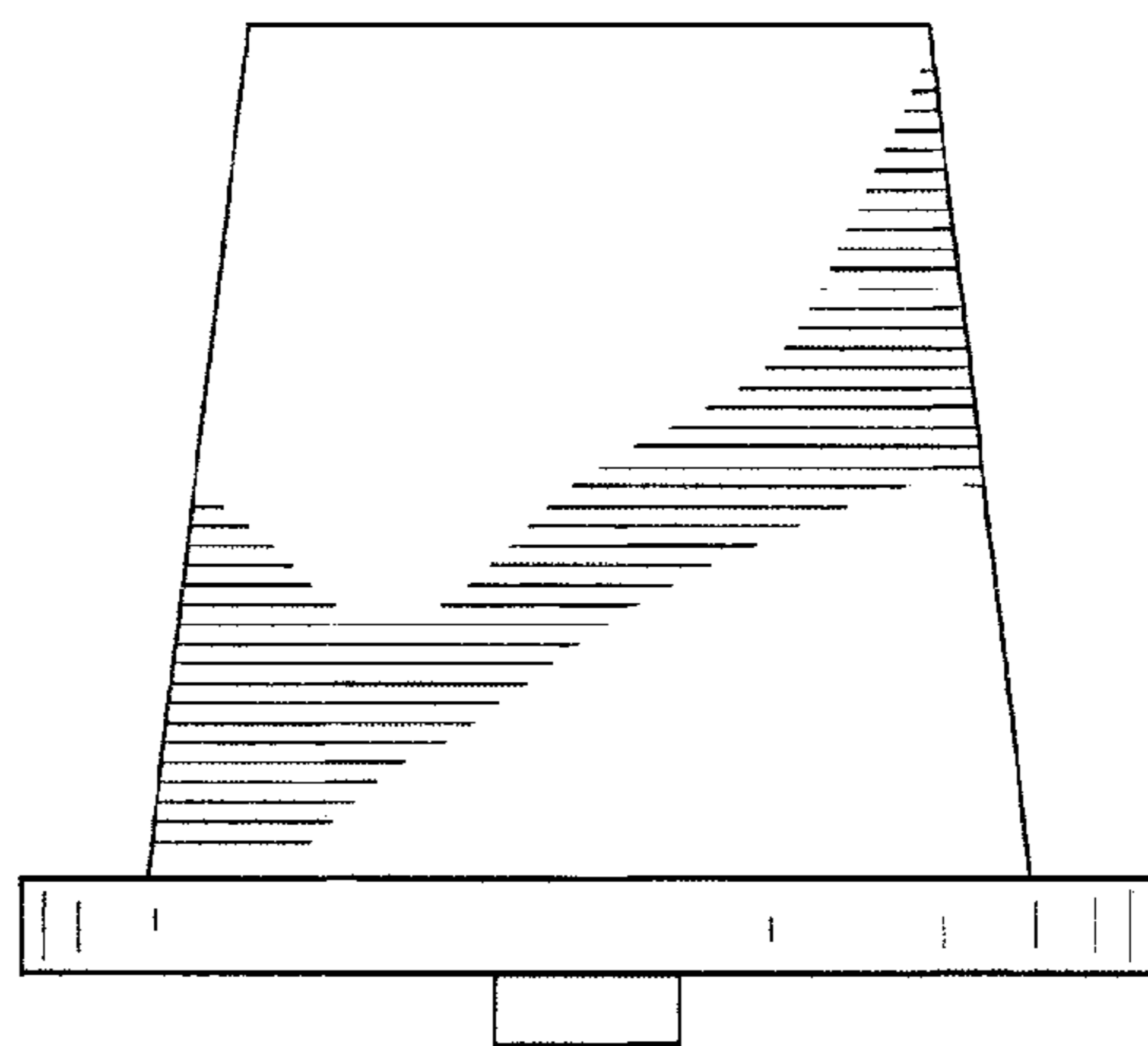


FIG. 9

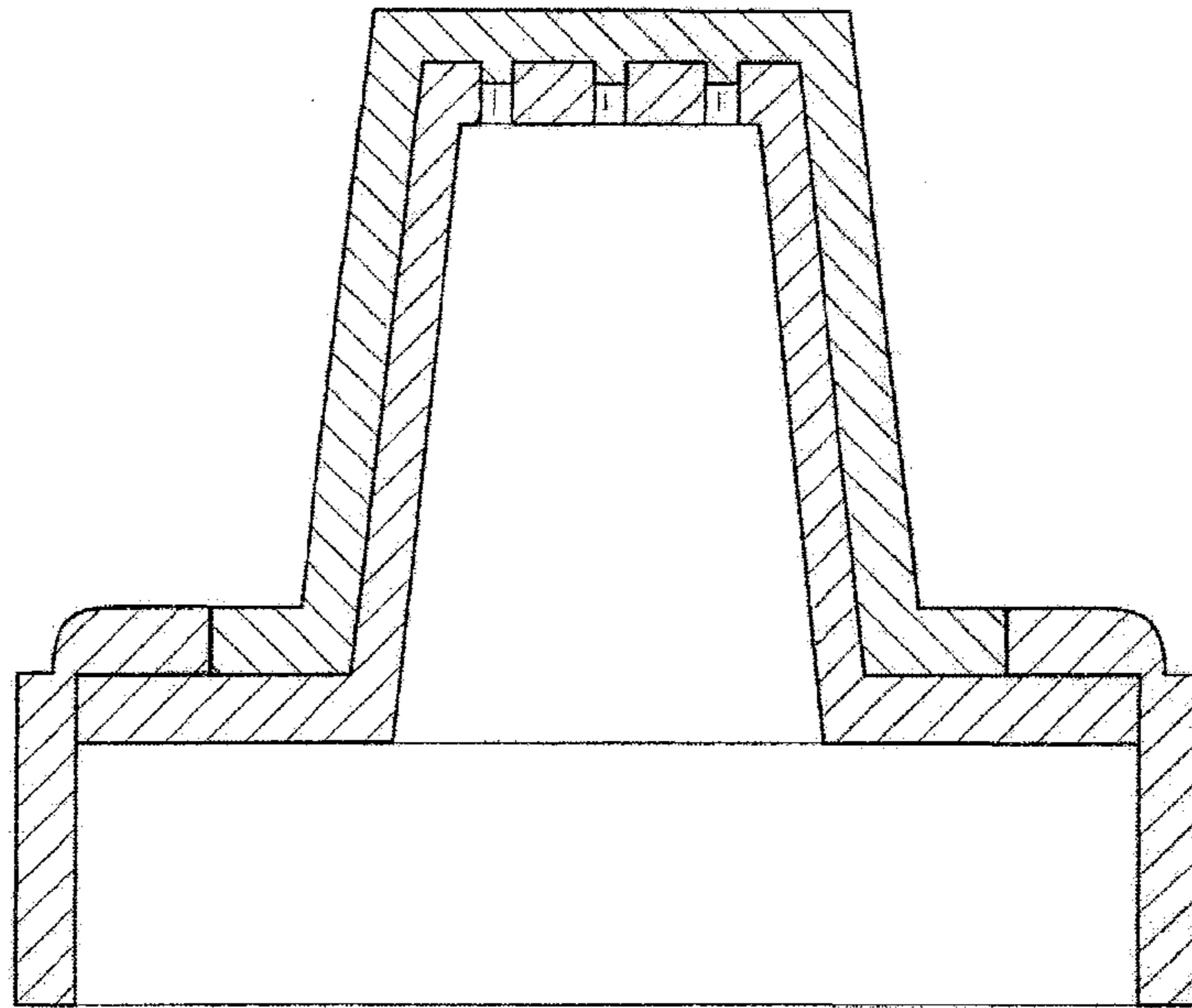


FIG. 10

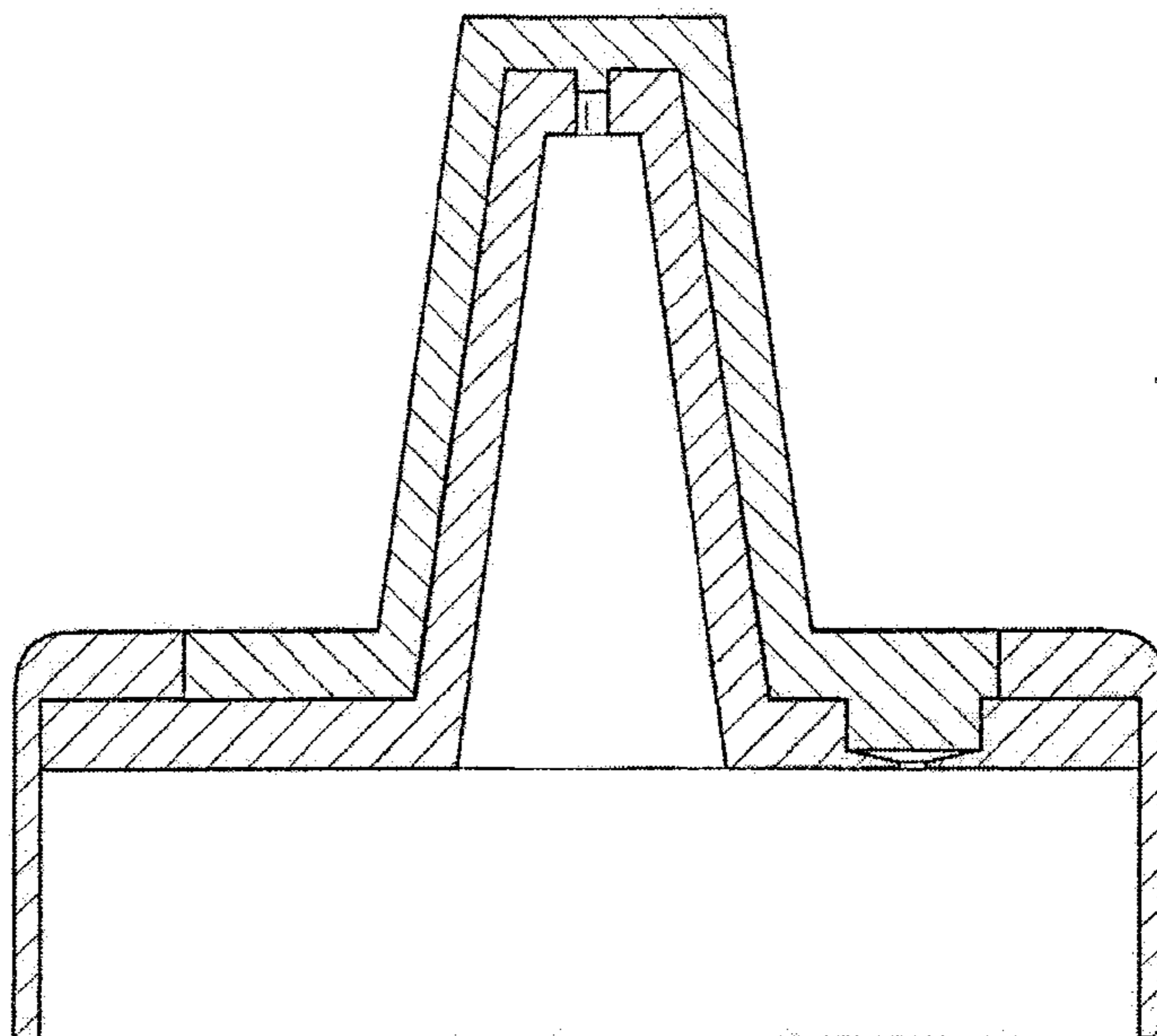


FIG. 11



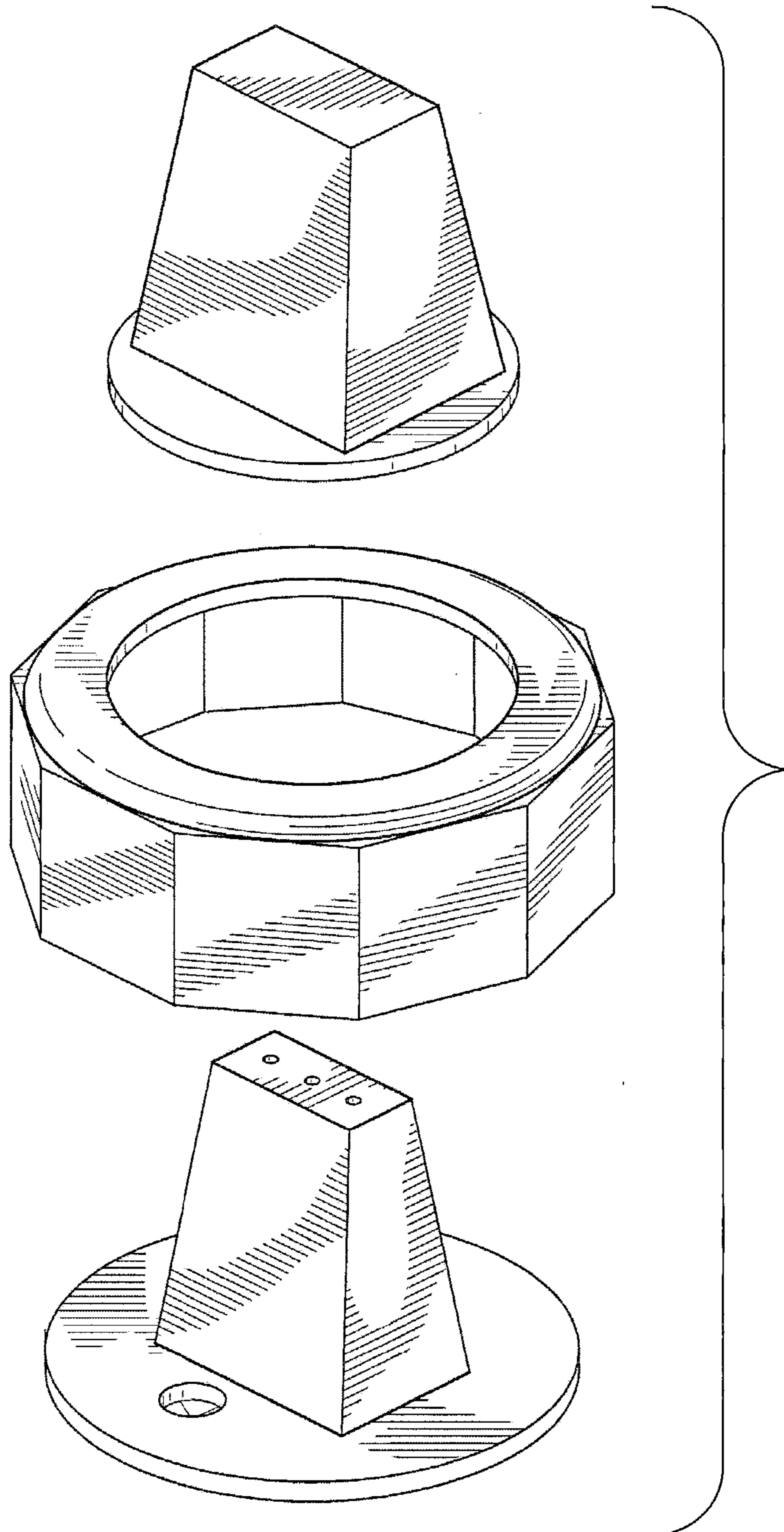


FIG. 12