



US00D627593S

(12) **United States Design Patent**
Lee et al.

(10) **Patent No.:** **US D627,593 S**
(45) **Date of Patent:** **** Nov. 23, 2010**

(54) **OVEN**

D523,685 S * 6/2006 Jung et al. D7/340
D538,581 S * 3/2007 Lee et al. D7/340

(75) Inventors: **Seon Ju Lee**, Seoul (KR); **Jung Kyung Kwack**, Seoul (KR)

* cited by examiner

(73) Assignee: **Samsung Electronics Co., Ltd.**, Suwon (KR)

Primary Examiner—Catherine R Oliver
(74) *Attorney, Agent, or Firm*—Ladas & Parry

(**) Term: **14 Years**

(57) **CLAIM**

(21) Appl. No.: **29/357,283**

We claim the ornamental design for an oven, as shown.

(22) Filed: **Mar. 10, 2010**

DESCRIPTION

(51) **LOC (9) Cl.** **07-02**

FIG. 1 is a front/right-side/top perspective view of an oven showing our new design;

(52) **U.S. Cl.** **D7/340**

FIG. 2 is a front elevational view thereof;

(58) **Field of Classification Search** D7/340,
D7/339–341, 346–348, 402–407; 126/19 R,
126/39 B, 39 C, 39 R, 273 R, 50

FIG. 3 is a rear elevational view thereof;

FIG. 4 is a left-side elevational view thereof;

See application file for complete search history.

FIG. 5 is a right-side elevational view thereof;

FIG. 6 is a top plan view thereof; and,

FIG. 7 is a bottom plan view thereof.

(56) **References Cited**

U.S. PATENT DOCUMENTS

D185,392 S * 6/1959 Smith D7/340

1 Claim, 7 Drawing Sheets

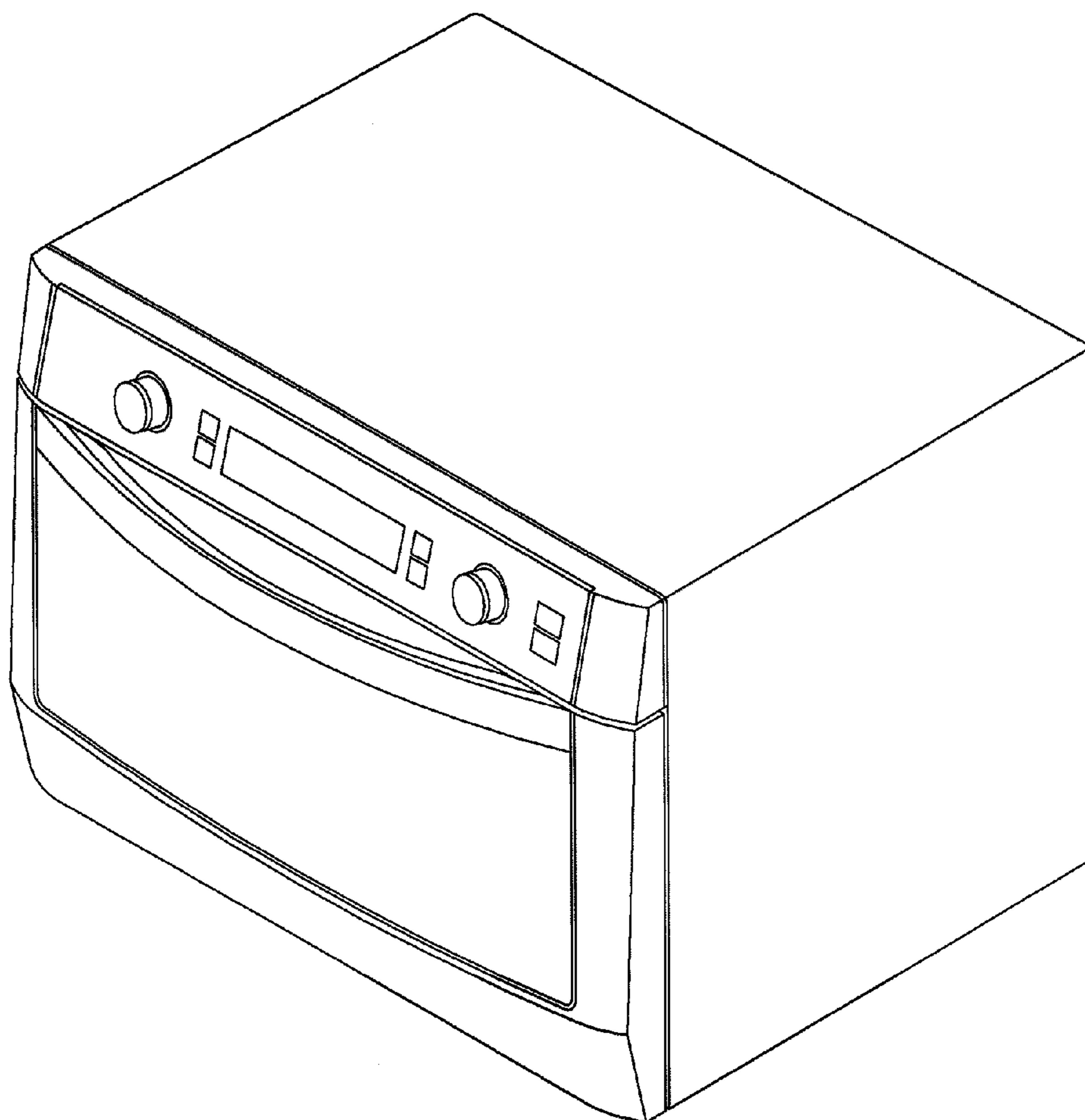


FIG. 1

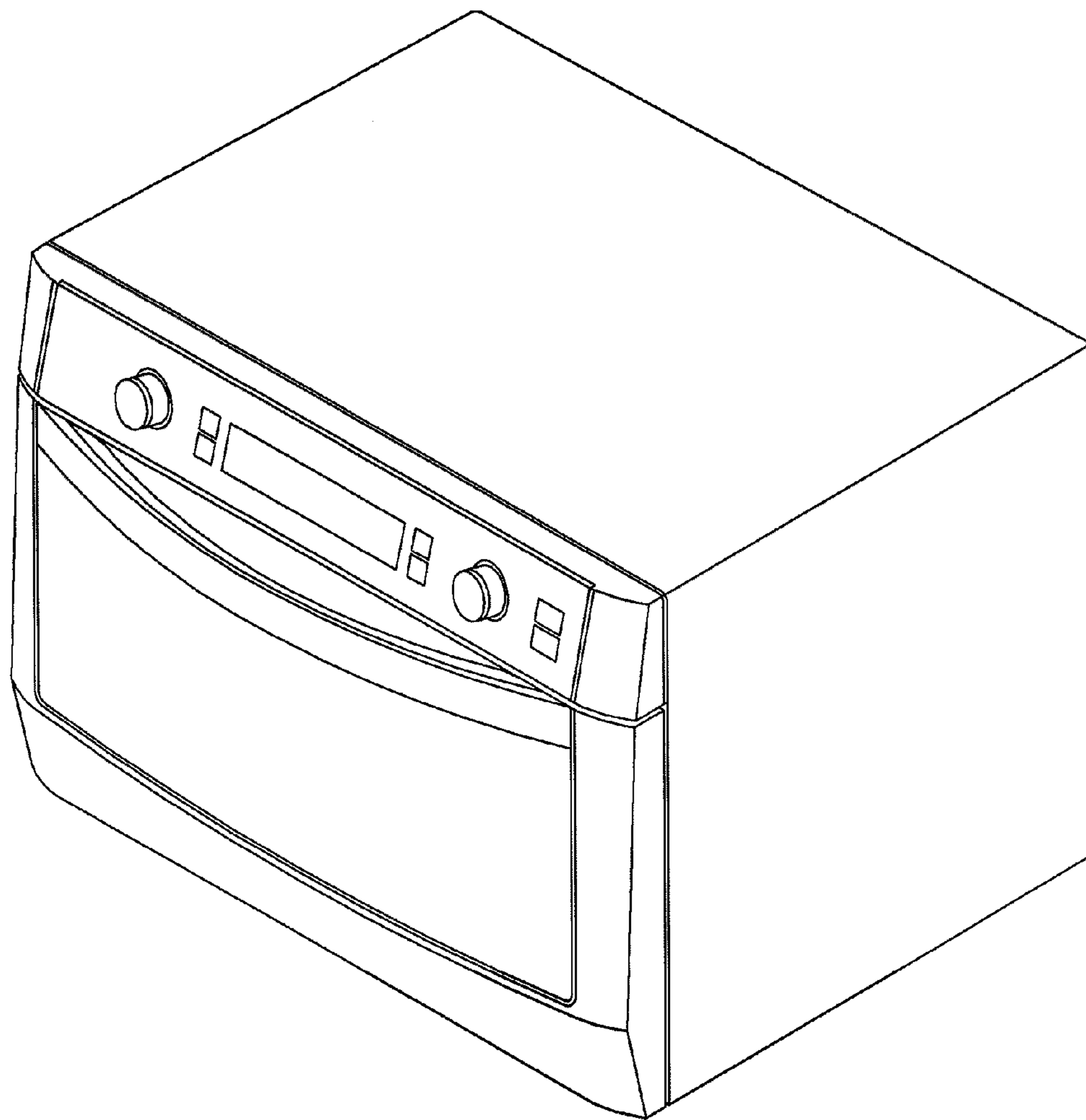


FIG. 2

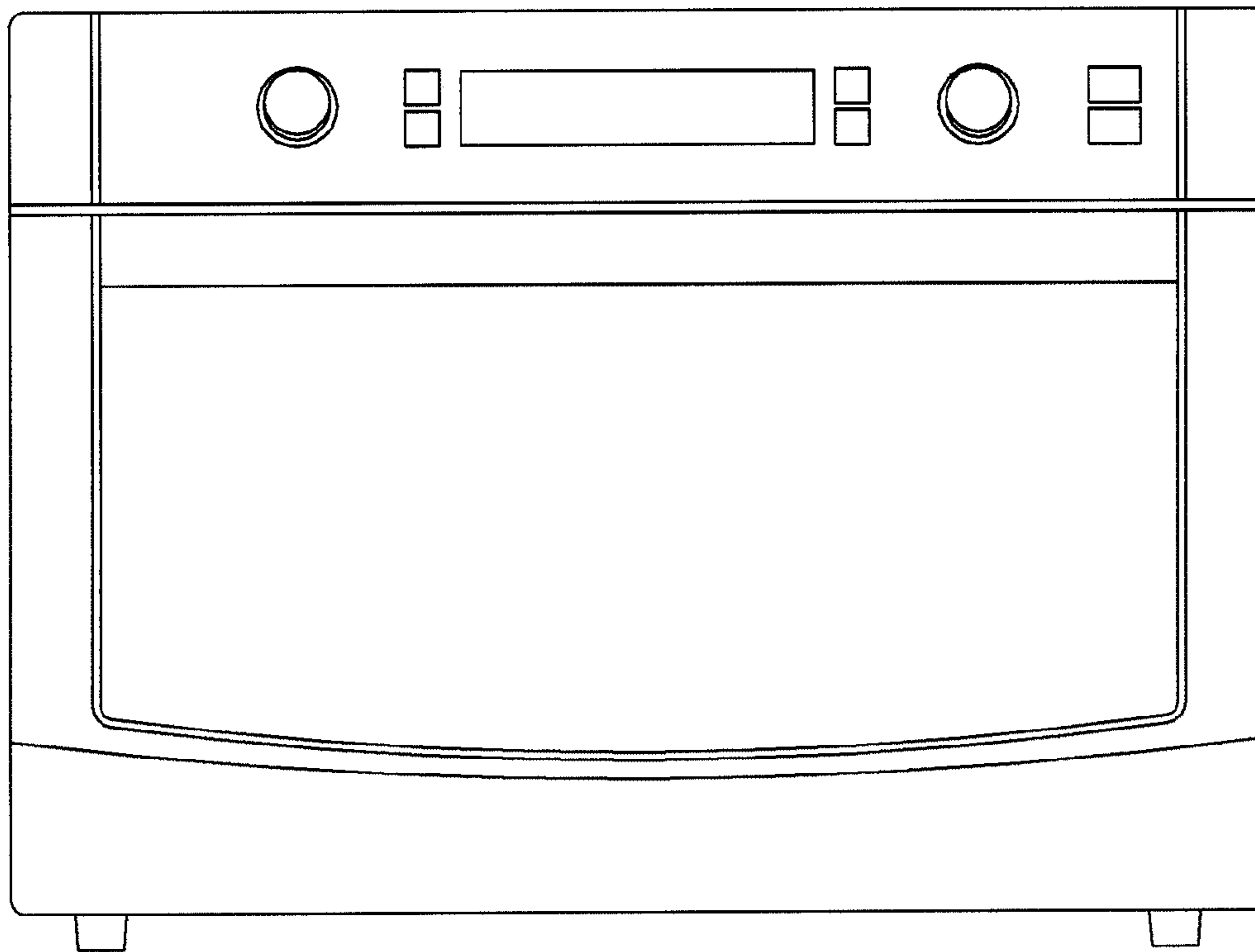


FIG. 3

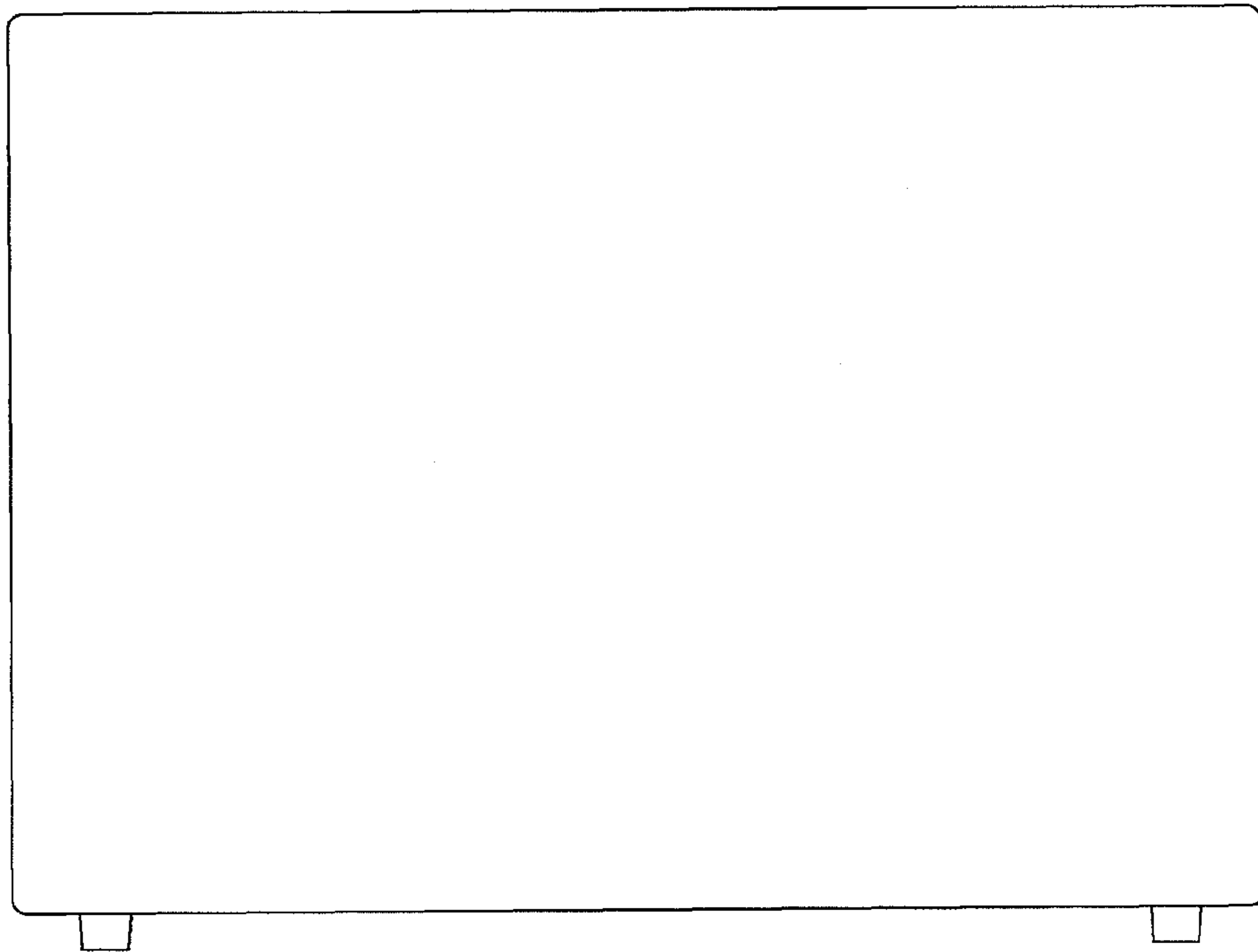


FIG. 4

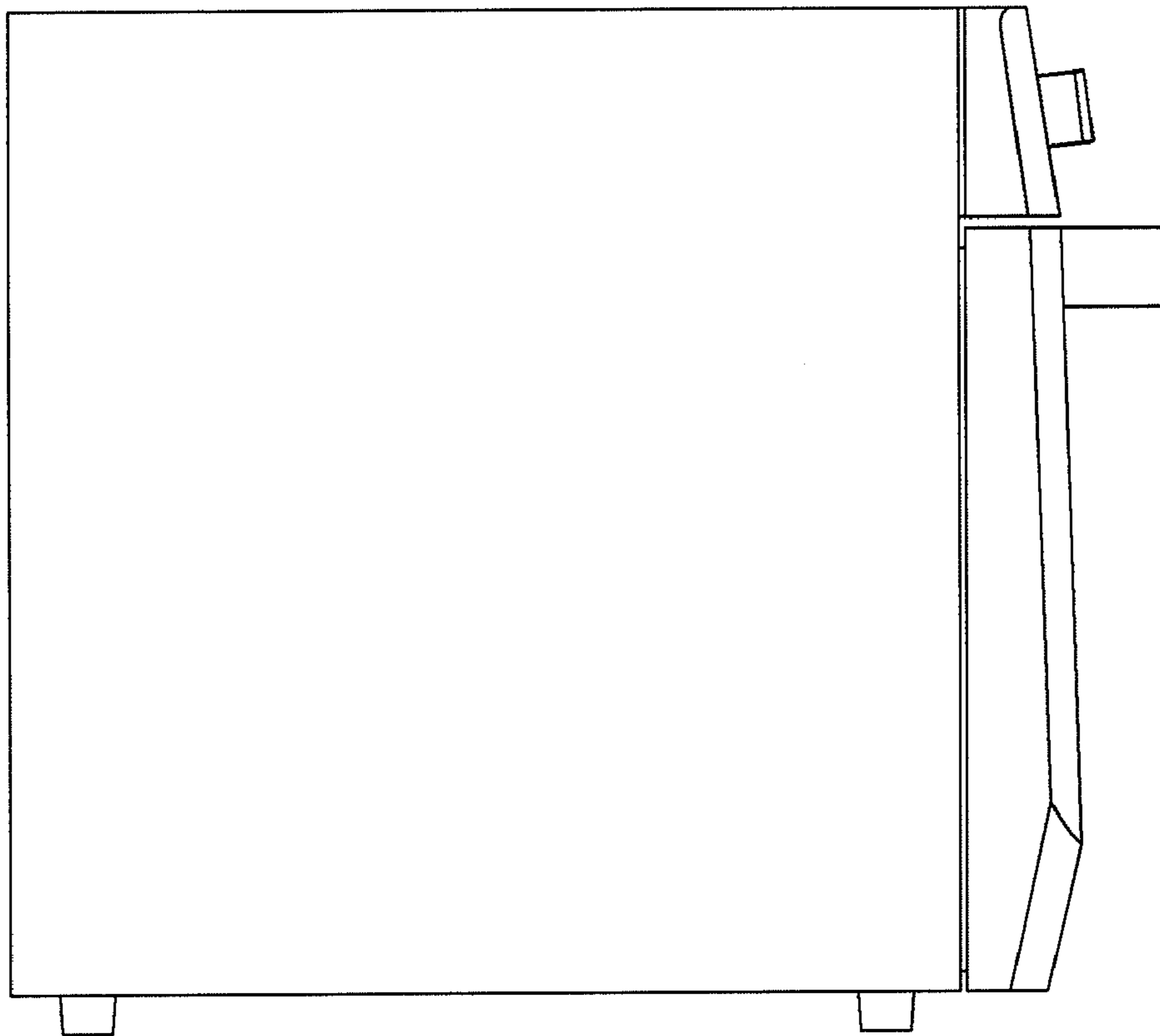


FIG. 5

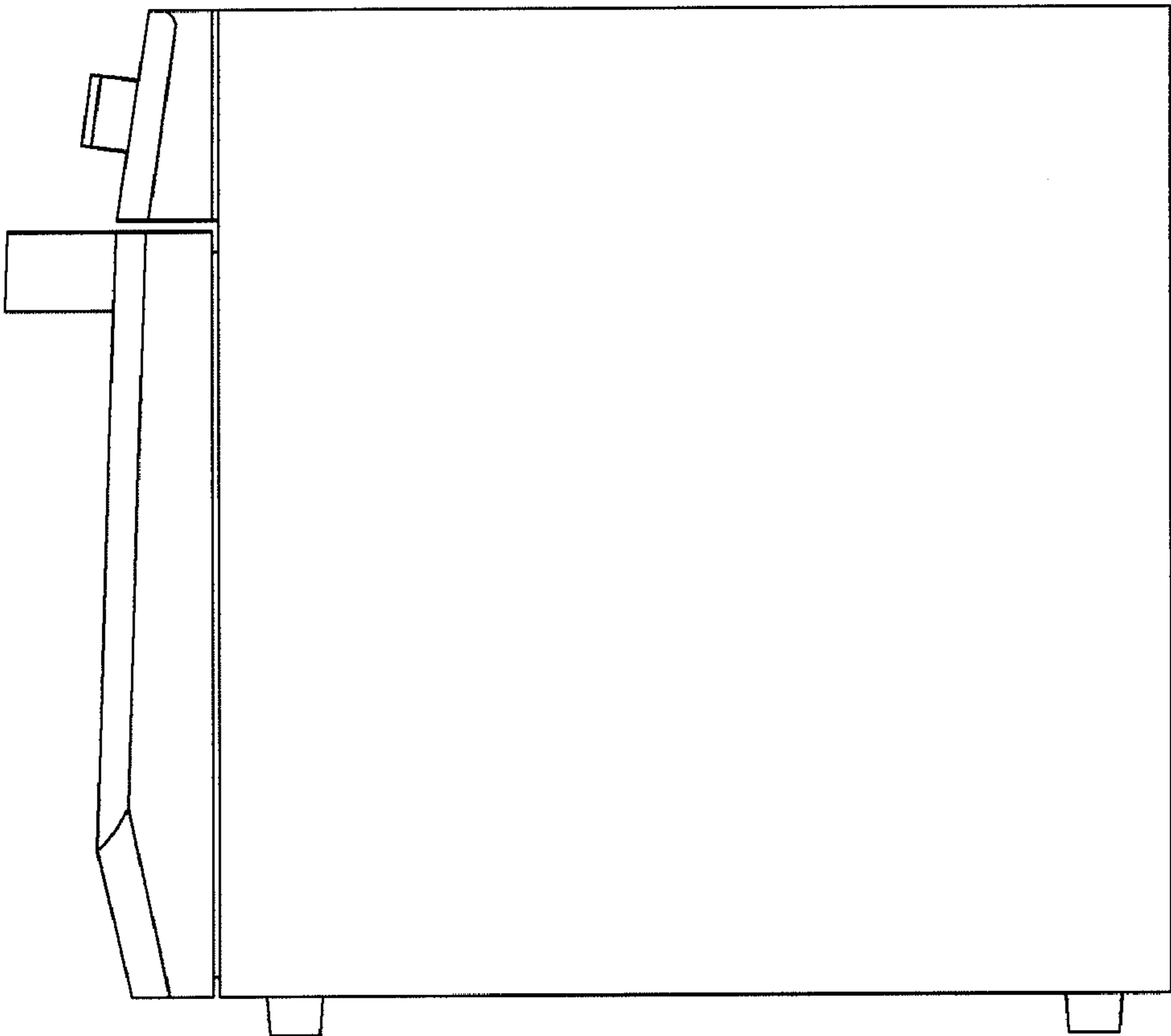


FIG. 6

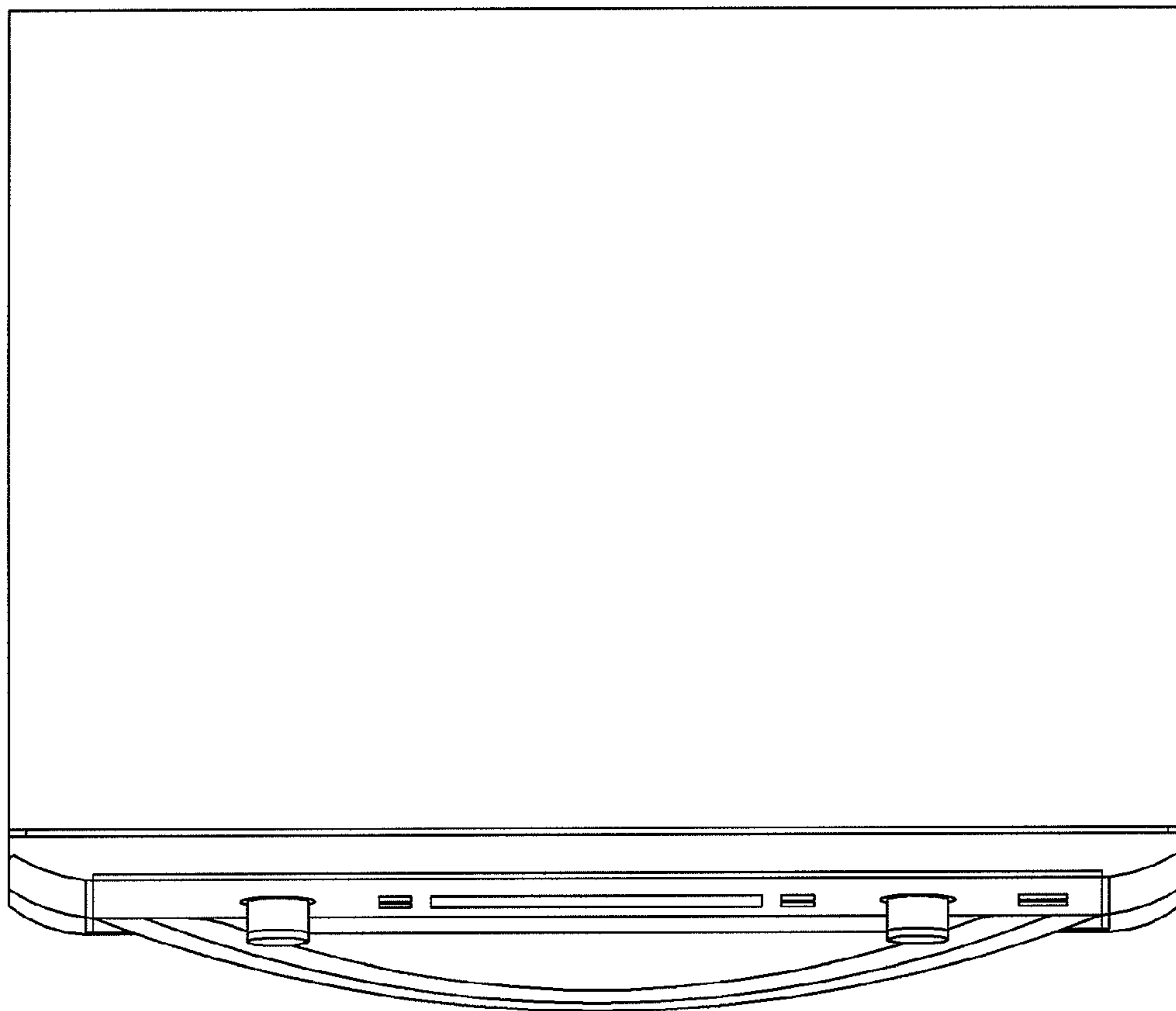


FIG. 7

