



US00D627592S

(12) **United States Design Patent**
Wen et al.

(10) **Patent No.:** **US D627,592 S**
(45) **Date of Patent:** **** Nov. 23, 2010**

(54) **COMBINED MICROWAVE/FRYING APPARATUS**

5,582,093 A * 12/1996 Amitrano et al. 99/408
D428,562 S * 7/2000 Russett et al. D7/339
D531,446 S * 11/2006 Few, Sr. D7/339

(75) Inventors: **Bie-Joe Wen**, Zhudong Township, Hsinchu County (TW); **Chi-Nan Chen**, Hsinchu (TW); **Ming-Jyh Hwang**, Hsinchu (TW); **Feng-Tsung Cheng**, Kaohsiung (TW)

* cited by examiner

Primary Examiner—Catherine R Oliver
(74) *Attorney, Agent, or Firm*—Alan Kamrath; Kamrath & Associates PA

(73) Assignee: **Highlight Tech System Corporation**, Hsinchu County (TW)

(57) **CLAIM**

The ornamental design for a combined microwave/frying apparatus, as shown and described.

(**) Term: **14 Years**

(21) Appl. No.: **29/355,047**

DESCRIPTION

(22) Filed: **Feb. 2, 2010**

FIG. 1 is a perspective view of a combined microwave/frying apparatus showing our design;

(51) **LOC (9) Cl.** **07-02**

FIG. 2 is a front elevational view thereof;

(52) **U.S. Cl.** **D7/339**

FIG. 3 is a rear elevational view thereof;

(58) **Field of Classification Search** D7/339,
D7/338, 346, 350.1, 351; 219/756–758;
210/167.28, DIG. 8; 99/330, 403, 408; 126/19 M,
126/275 E

FIG. 4 is a left elevational view thereof;

FIG. 5 is a right elevational view thereof;

See application file for complete search history.

FIG. 6 is a bottom plan view thereof;

FIG. 7 is a top plan view thereof; and,

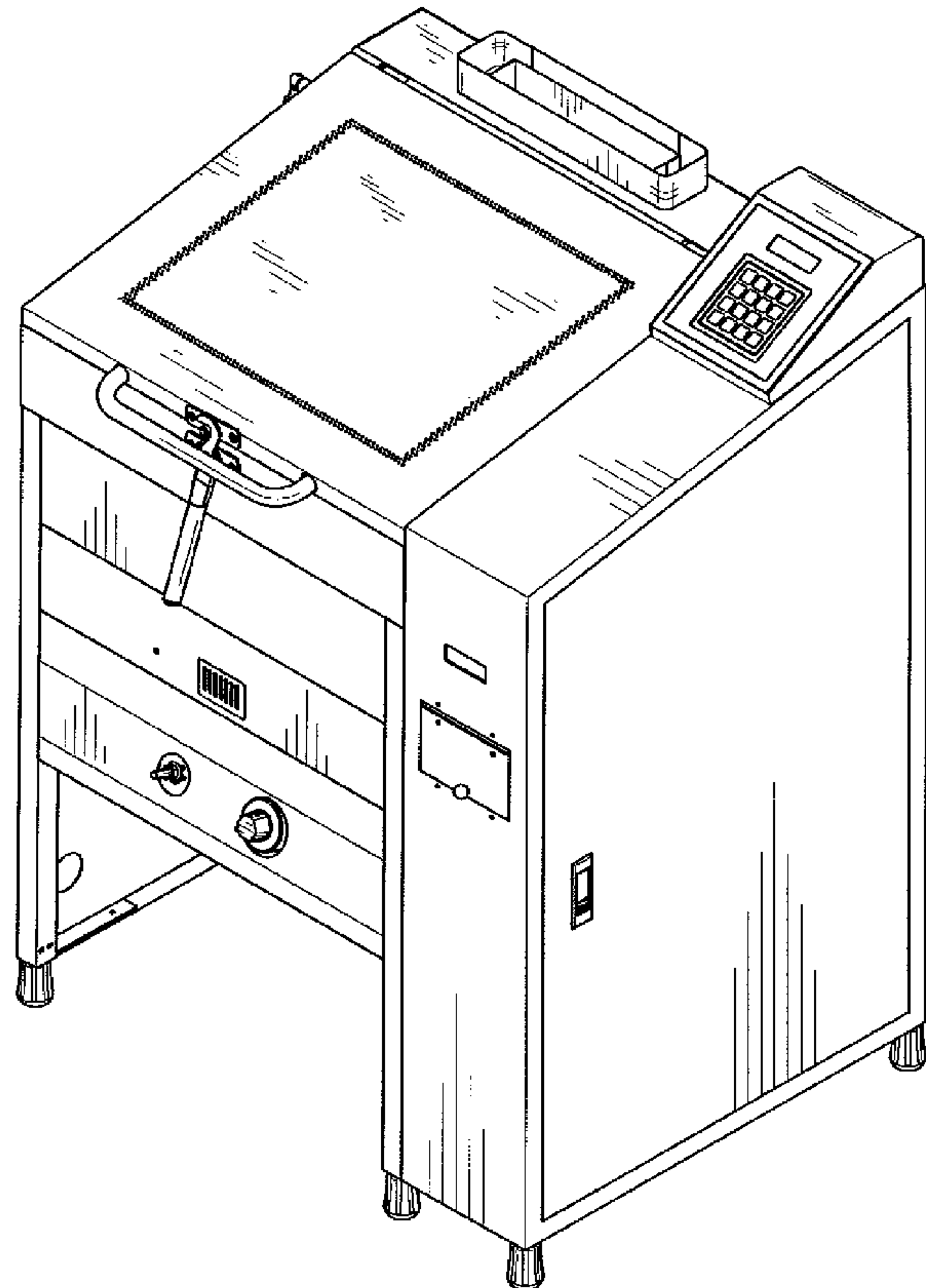
(56) **References Cited**

FIG. 8 is a perspective view of the combined microwave/frying apparatus with a cover of the combined microwave/frying apparatus in an open position.

U.S. PATENT DOCUMENTS

D214,353 S * 6/1969 Oxford D7/338
D351,966 S * 11/1994 King D7/339

1 Claim, 8 Drawing Sheets



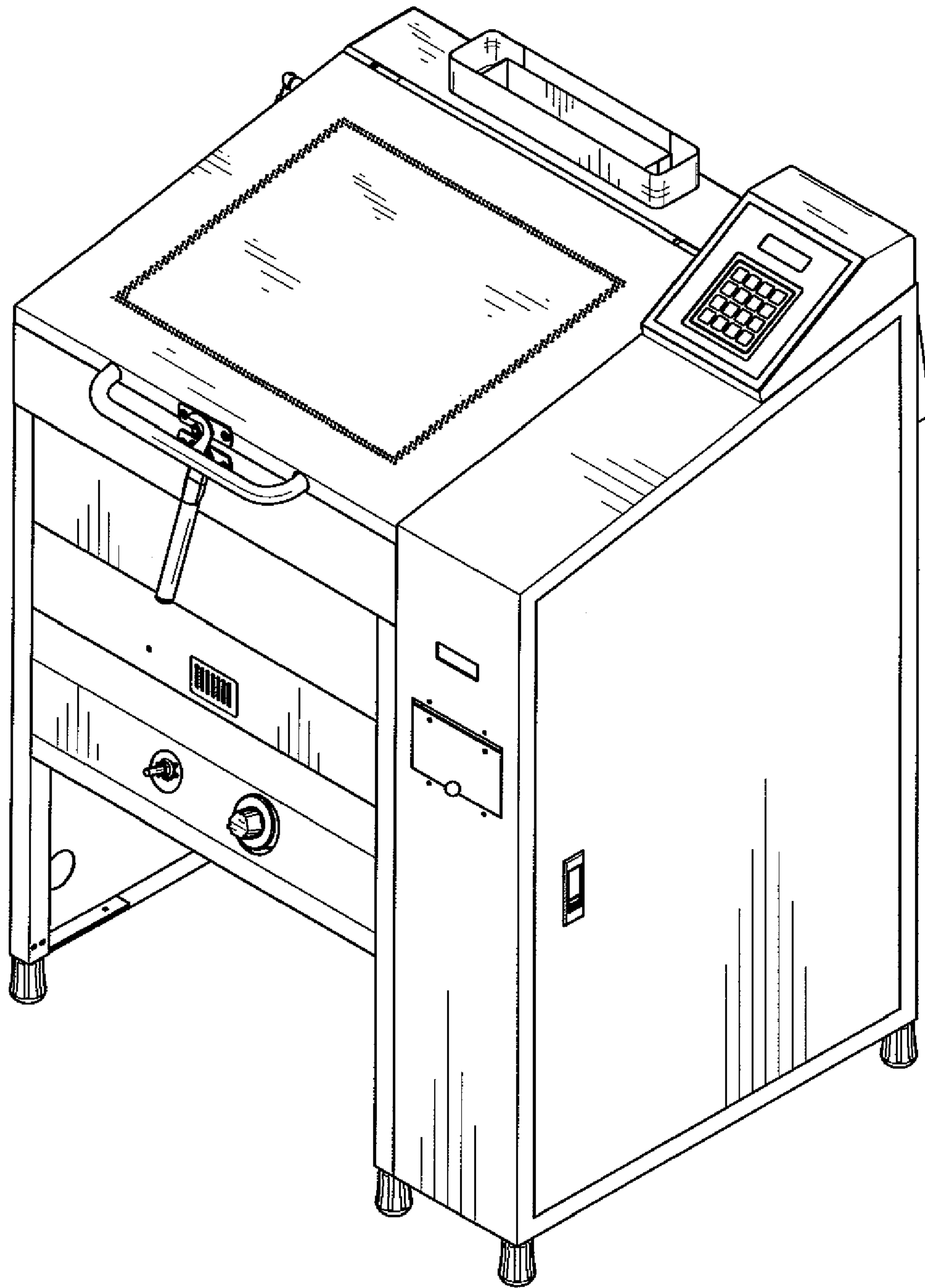


FIG. 1

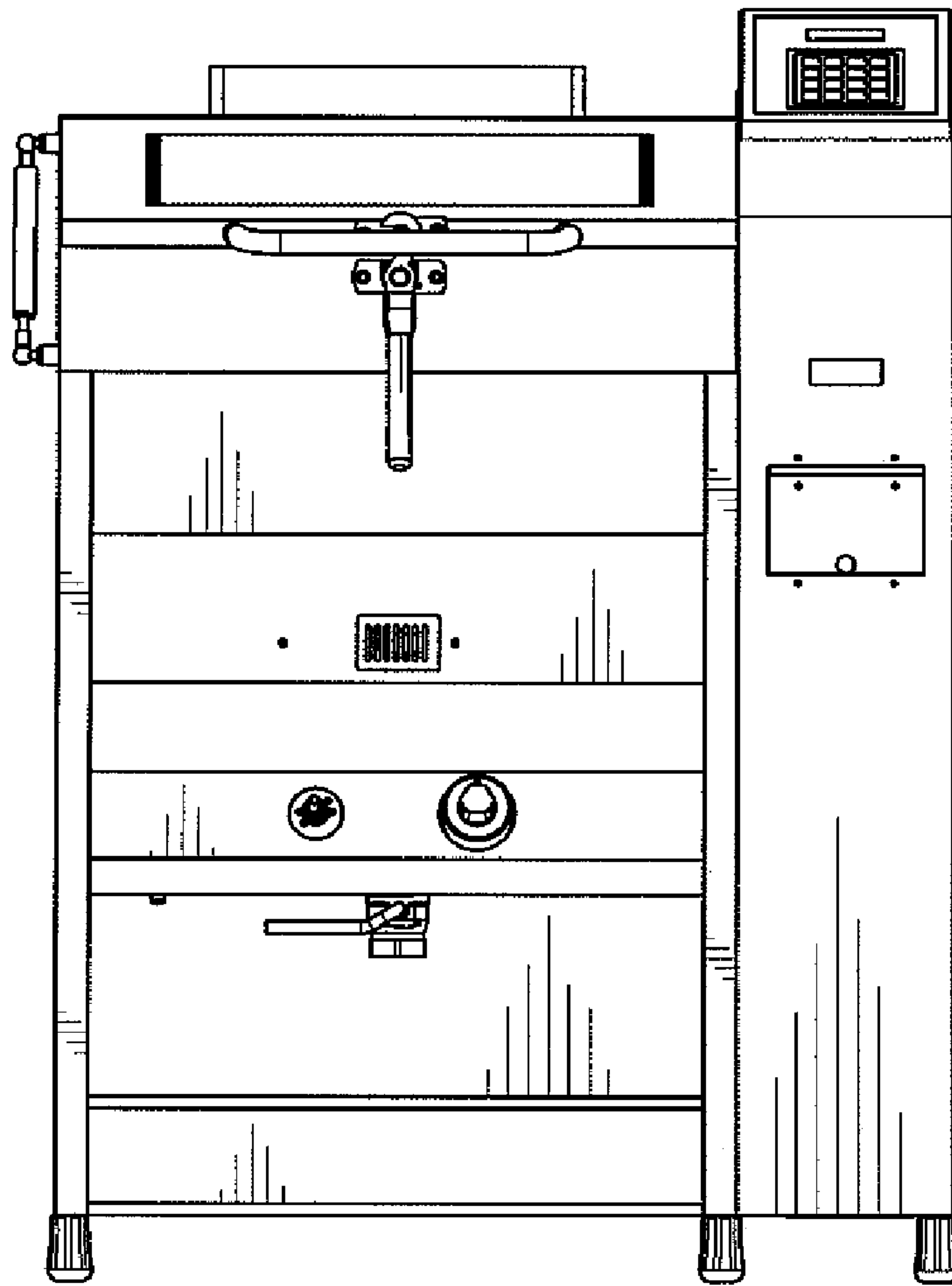


FIG. 2

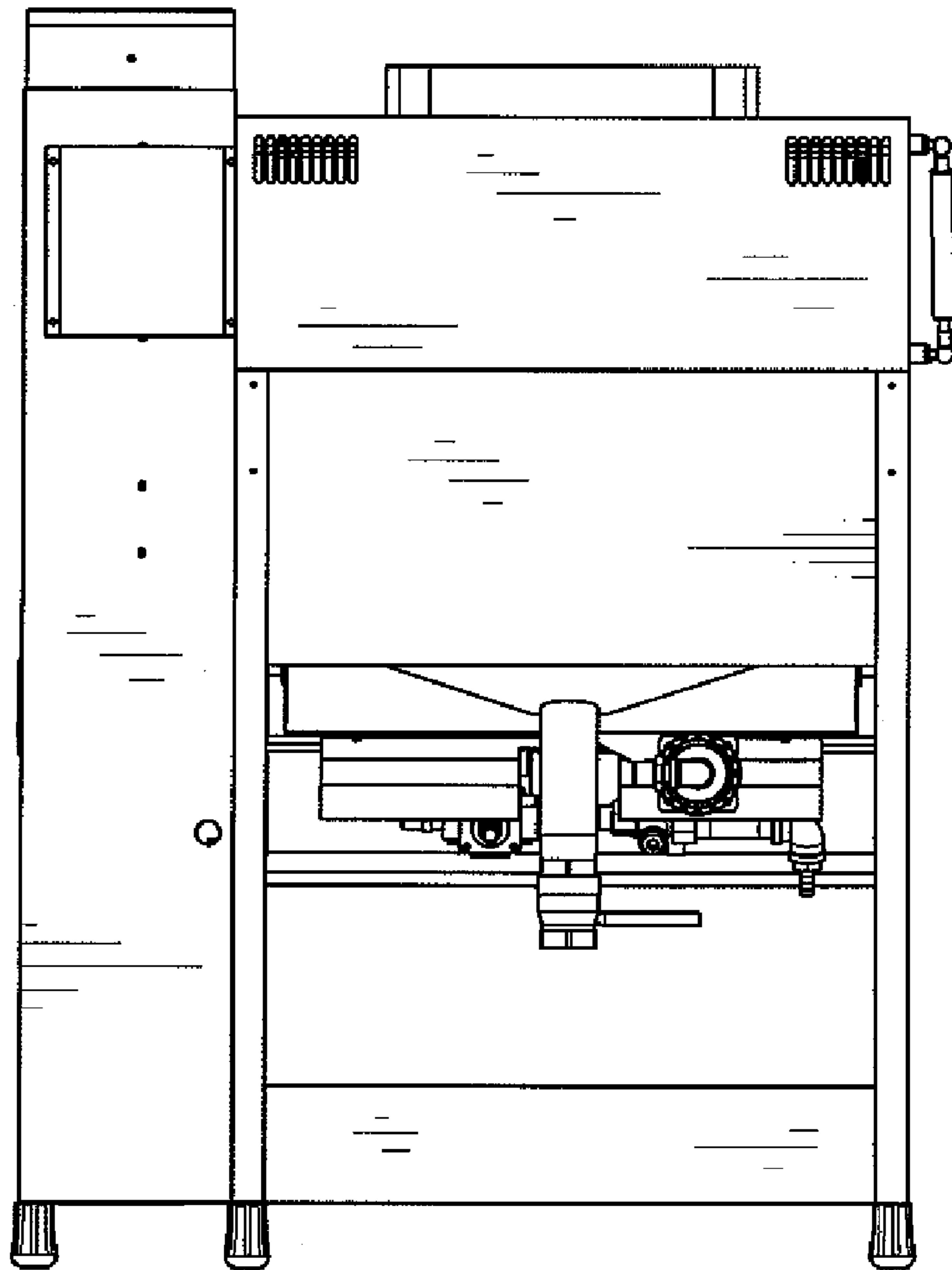


FIG. 3

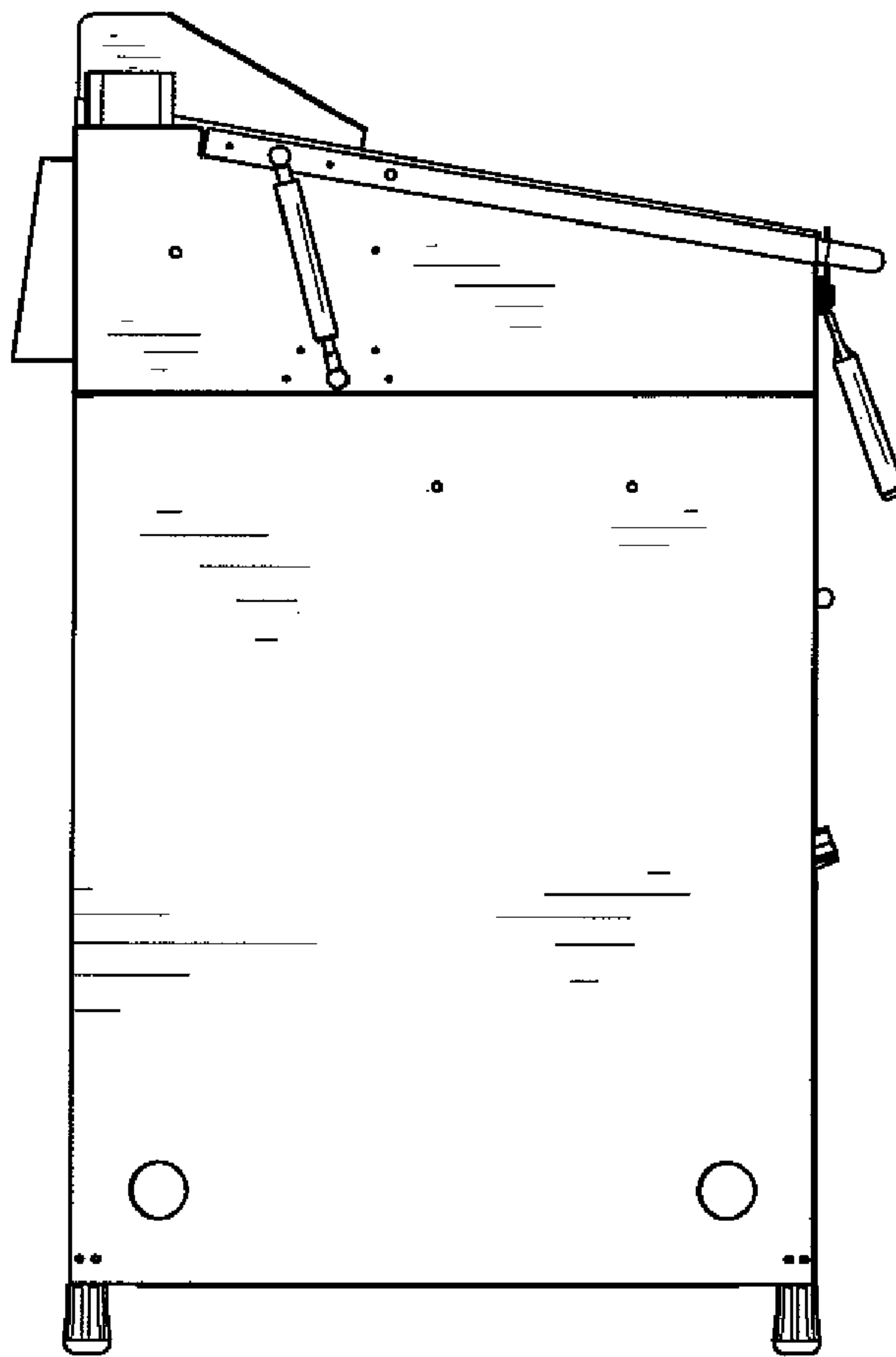


FIG. 4

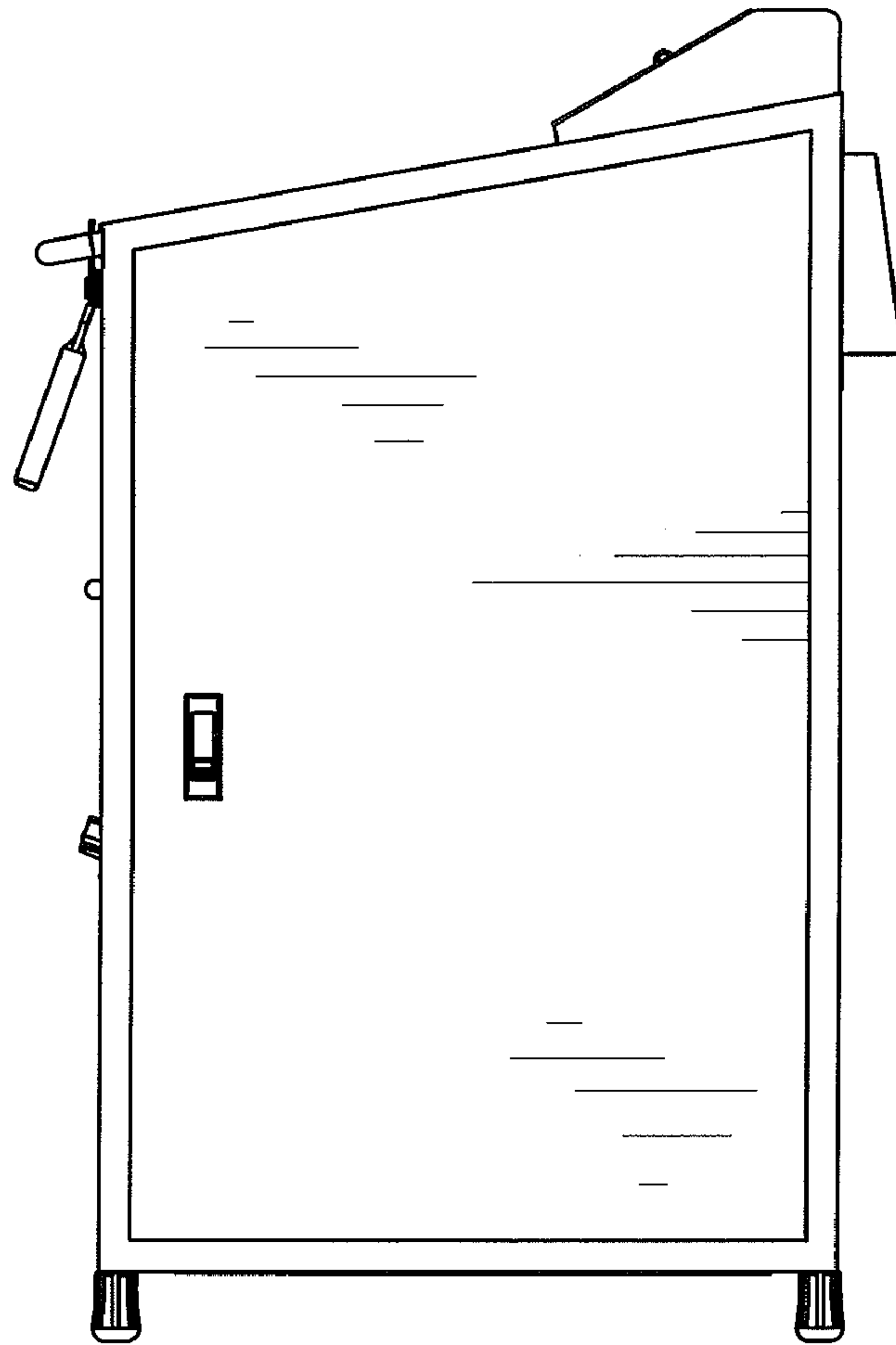


FIG. 5

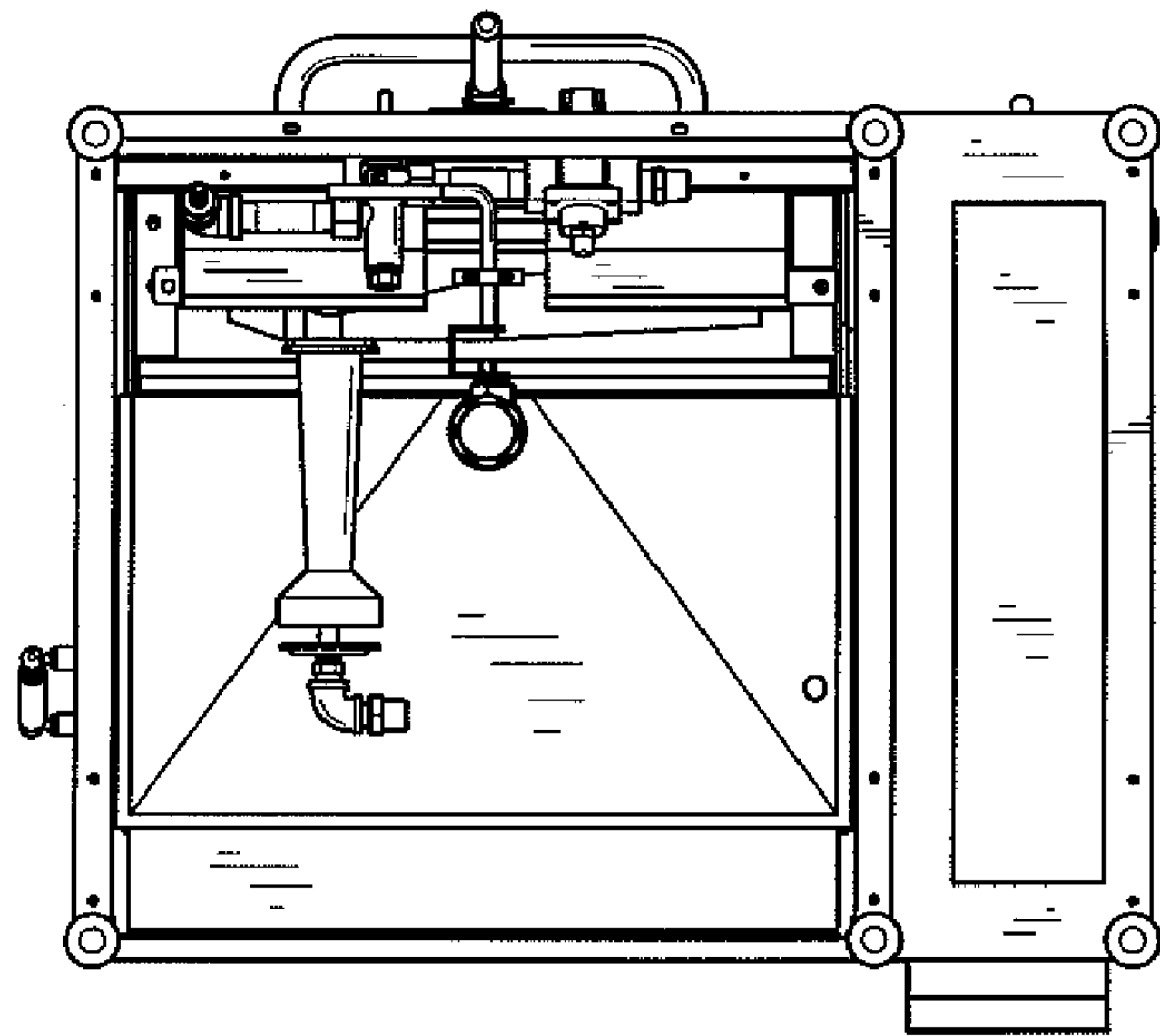


FIG. 6

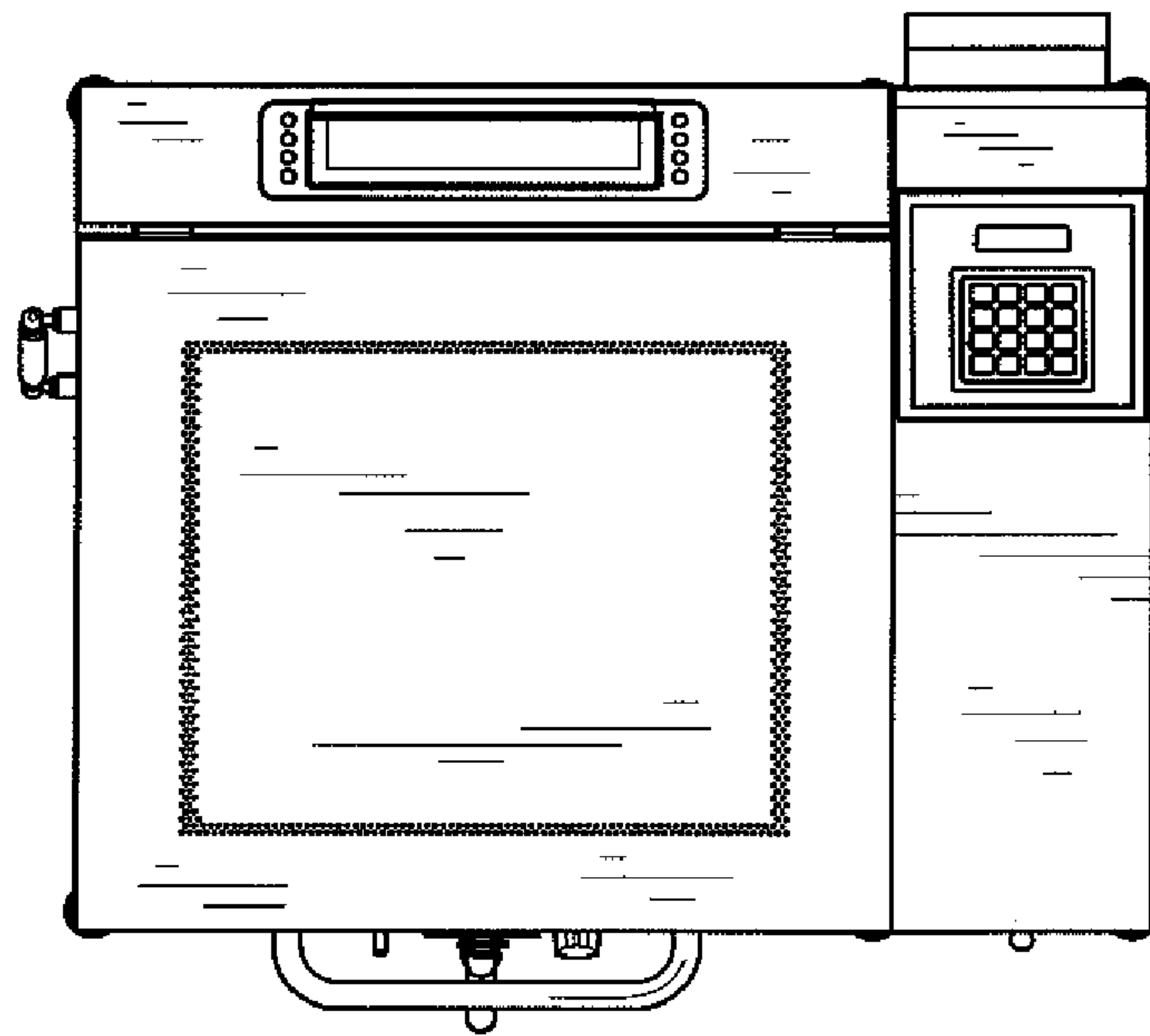


FIG. 7

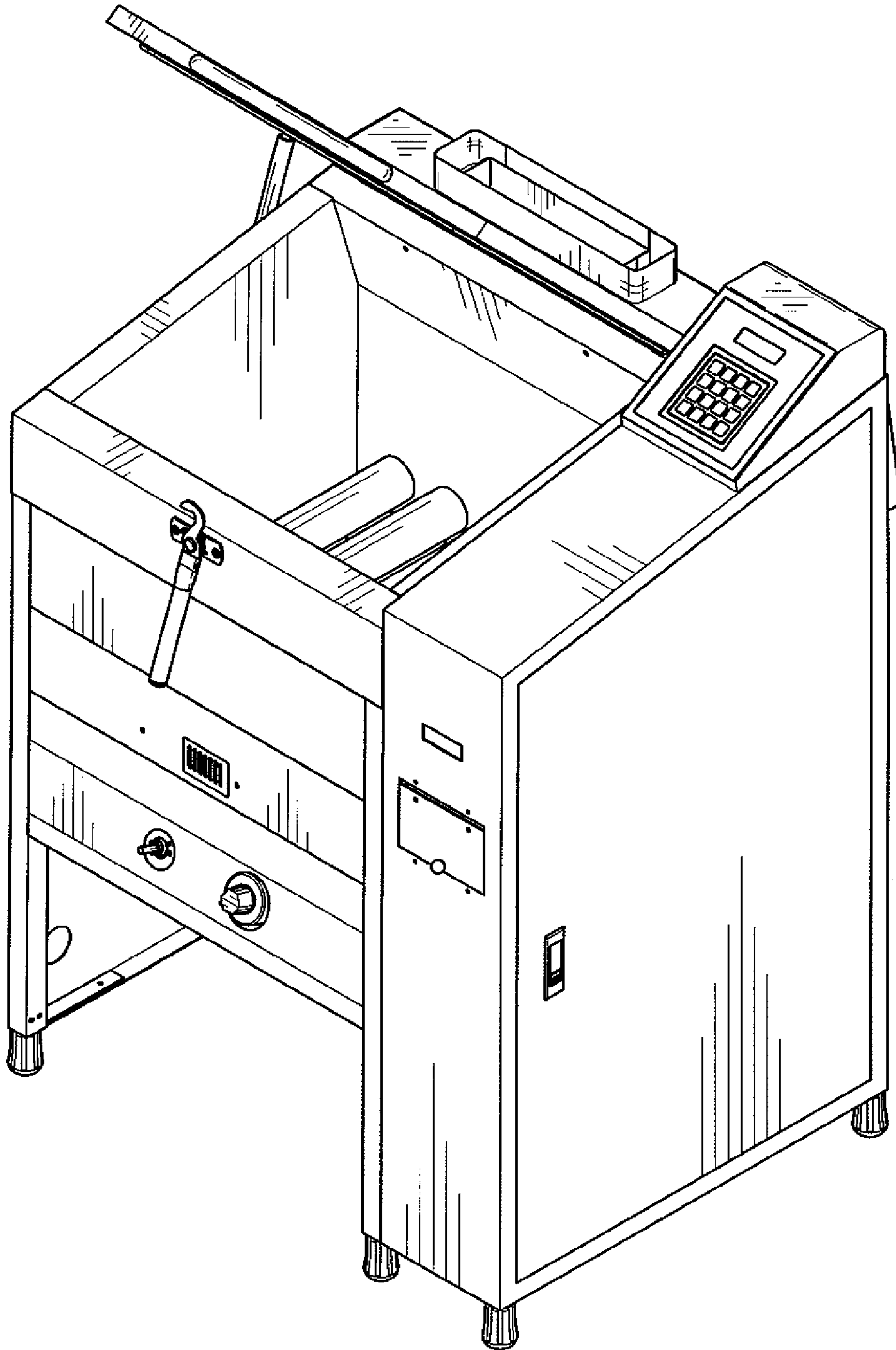


FIG. 8