



US00D627591S

(12) **United States Design Patent**
Wade

(10) **Patent No.:** **US D627,591 S**

(45) **Date of Patent:** **** Nov. 23, 2010**

(54) **PORTABLE GAS GRILL**

(75) Inventor: **Paul R. Wade**, Kenosha, WI (US)

(73) Assignee: **Kay Home Products, Inc.**, Antioch, IL (US)

(**) Term: **14 Years**

(21) Appl. No.: **29/348,891**

(22) Filed: **Feb. 19, 2010**

(51) **LOC (9) Cl.** **07-02**

(52) **U.S. Cl.** **D7/337**

(58) **Field of Classification Search** D7/394,
D7/332, 334–337, 402–404; 126/25 R, 9 R,
126/40, 50, 41 R, 38; 431/344; 99/425
See application file for complete search history.

(56) **References Cited**

U.S. PATENT DOCUMENTS

D176,294	S	*	12/1955	Webster	D7/337
D201,234	S	*	5/1965	Busse	D7/337
D212,450	S	*	10/1968	Hendee	D7/337
3,405,703	A	*	10/1968	Axelsson et al.	126/38
3,809,054	A	*	5/1974	Bowman et al.	126/38
D235,959	S	*	7/1975	Vilhelm	D7/337
D244,985	S	*	7/1977	Folke	D7/337
4,092,974	A	*	6/1978	Zenzaburo	126/38
D249,448	S	*	9/1978	Vache	D7/337
4,177,790	A	*	12/1979	Zenzaburo	126/38
5,197,454	A	*	3/1993	Lee	126/9 R
5,425,354	A	*	6/1995	Park	126/50
5,513,624	A	*	5/1996	Vorhis	126/38
D371,716	S	*	7/1996	Jo	D7/337
D416,750	S	*	11/1999	Persson	D7/337
5,983,883	A	*	11/1999	Moulder	126/38

D424,364	S	*	5/2000	Persson	D7/337
6,102,027	A	*	8/2000	Tilby	126/38
6,129,078	A	*	10/2000	Moulder	126/40
6,173,709	B1	*	1/2001	Yokoyama	126/40
D446,991	S	*	8/2001	Taniguchi et al.	D7/337
6,302,096	B1	*	10/2001	Duncan	126/38
6,321,742	B1	*	11/2001	Schmidt et al.	126/38
D478,771	S	*	8/2003	Wu	D7/337
D512,264	S	*	12/2005	May et al.	D7/337
D610,390	S	*	2/2010	Nishijima	D7/332
D612,191	S	*	3/2010	Taber et al.	D7/337
2007/0017499	A1	*	1/2007	Hsu	126/9 R
2007/0034198	A1	*	2/2007	Arad	126/9 R

* cited by examiner

Primary Examiner—Ruth McInroy

(74) *Attorney, Agent, or Firm*—Justin Lampel

(57) **CLAIM**

The ornamental design for a portable gas grill, as shown and described.

DESCRIPTION

FIG. 1 is a top perspective view of a portable gas grill showing my new design;

FIG. 2 is a front elevation view thereof;

FIG. 3 is a side elevation view thereof;

FIG. 4 is a side elevation view of the opposite side of FIG. 3;

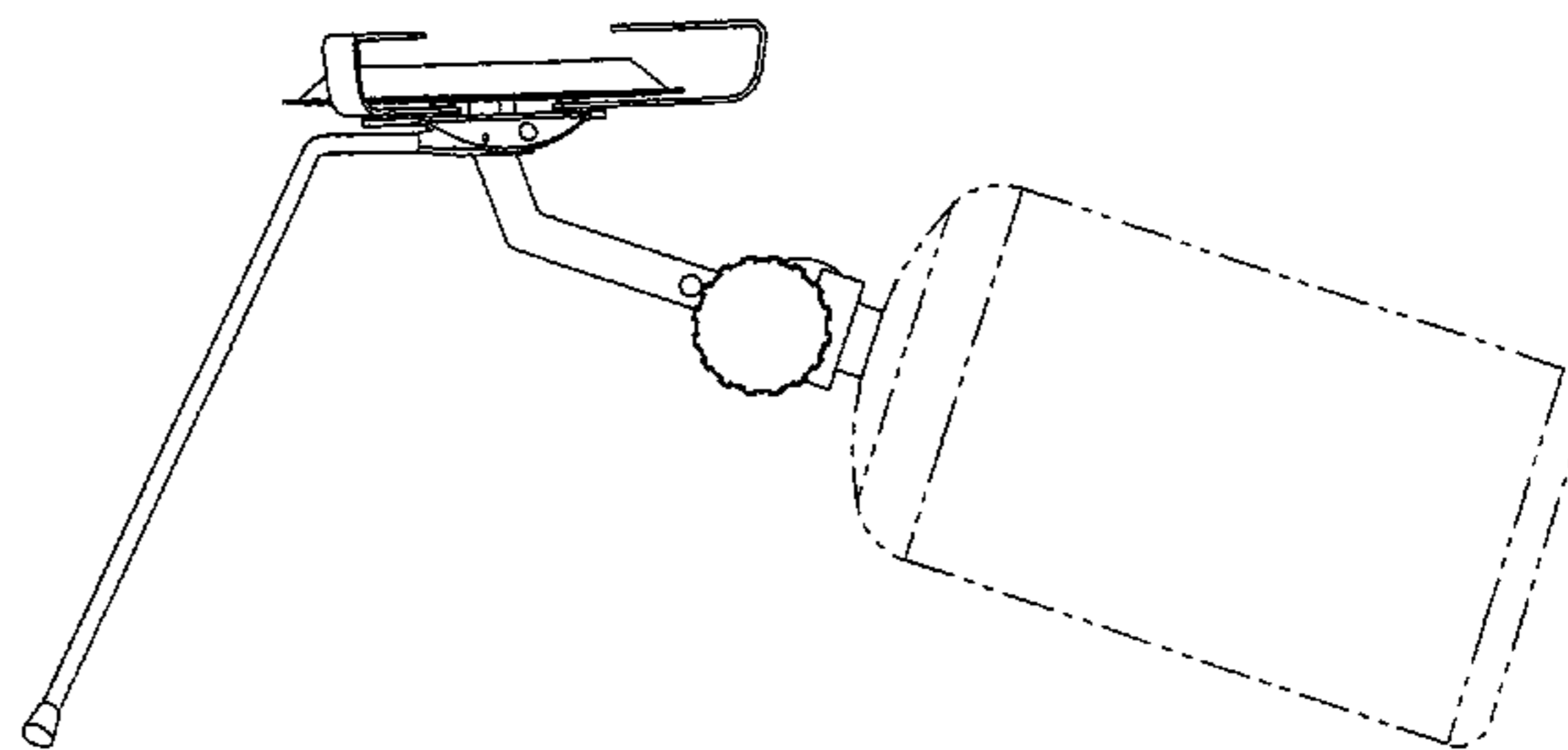
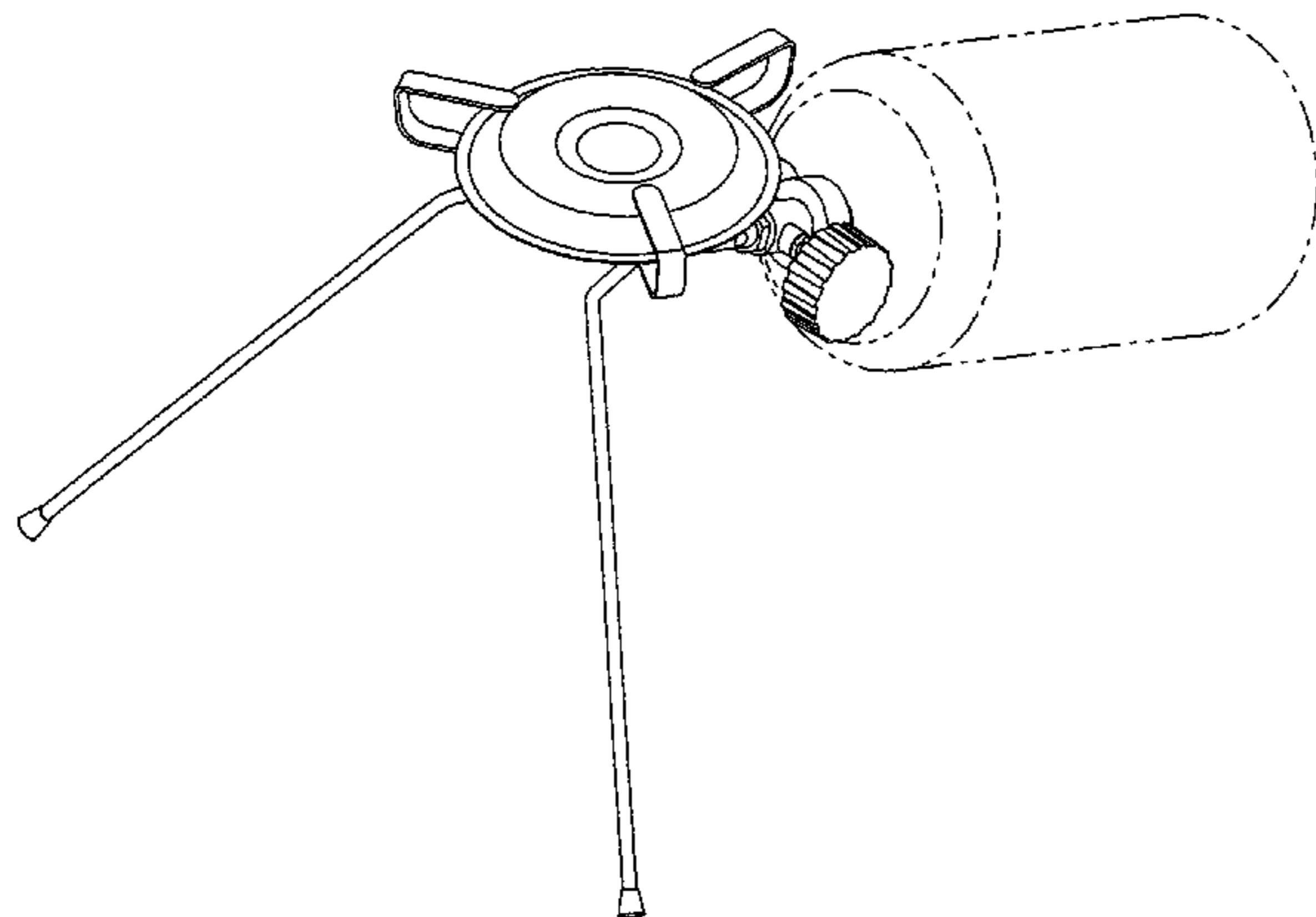
FIG. 5 is a top plan view thereof;

FIG. 6 is a bottom plan view thereof; and,

FIG. 7 is a rear elevation view thereof.

The details shown in broken lines form no part of the claimed design.

1 Claim, 7 Drawing Sheets



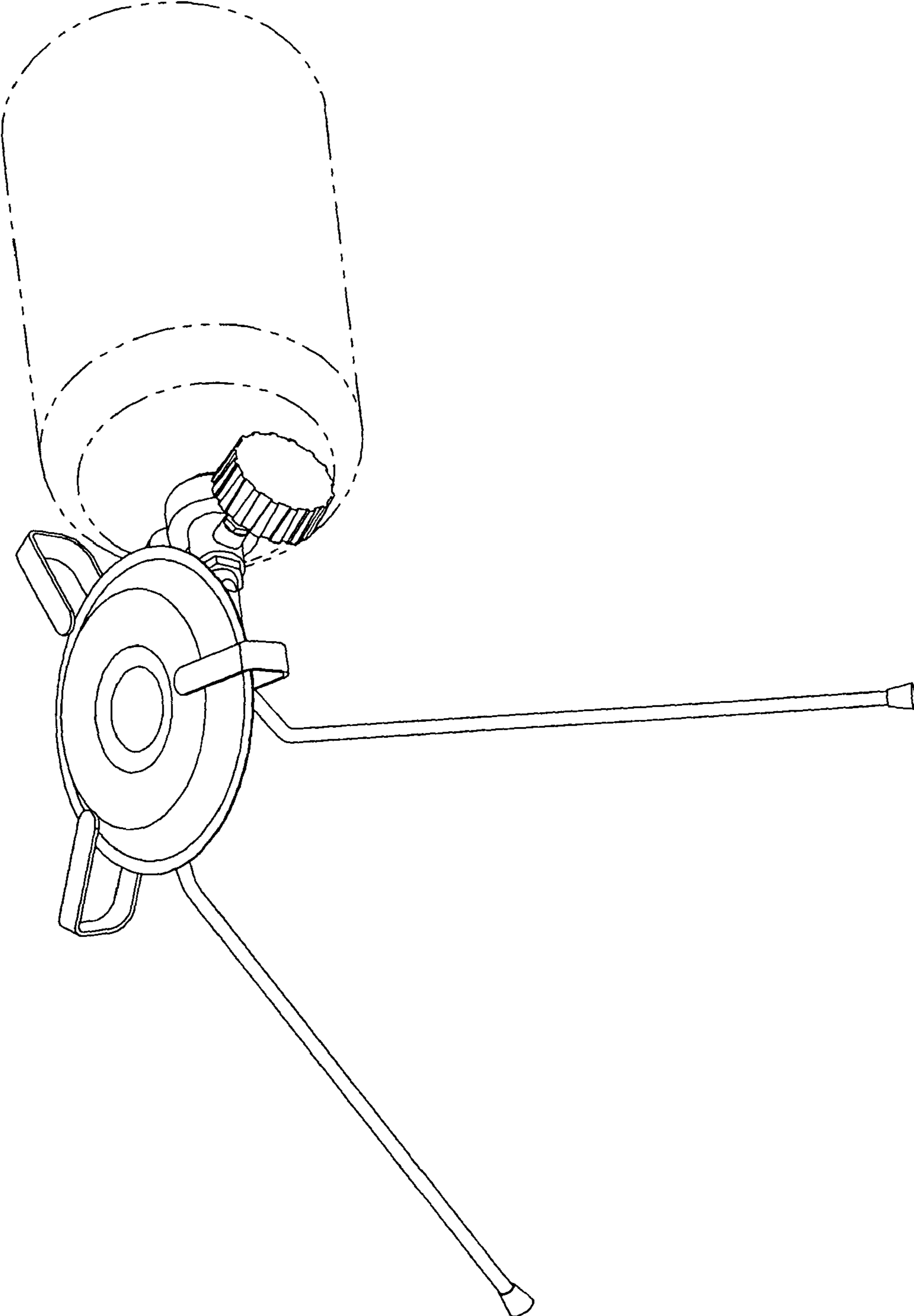


FIGURE 1

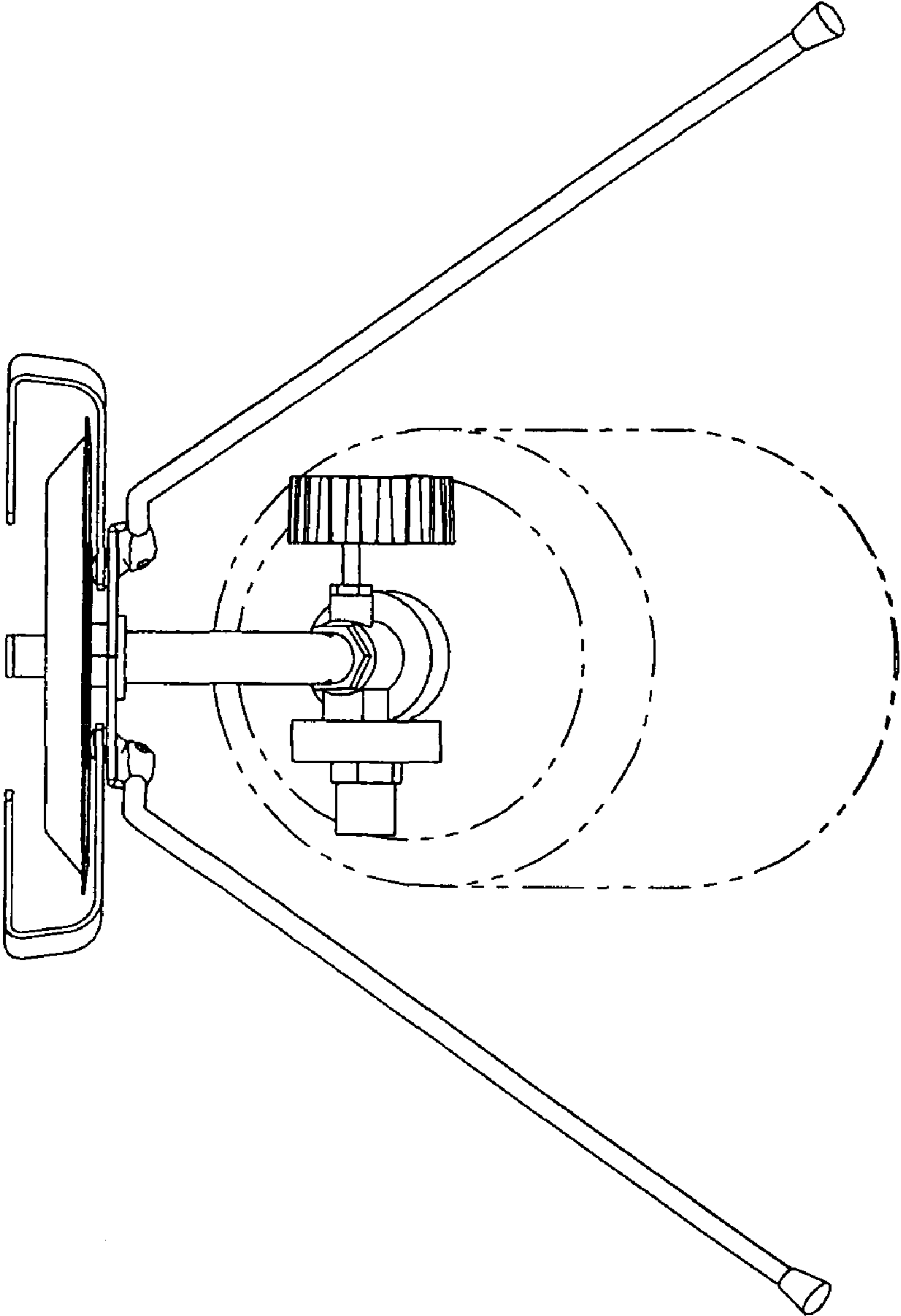


FIGURE 2

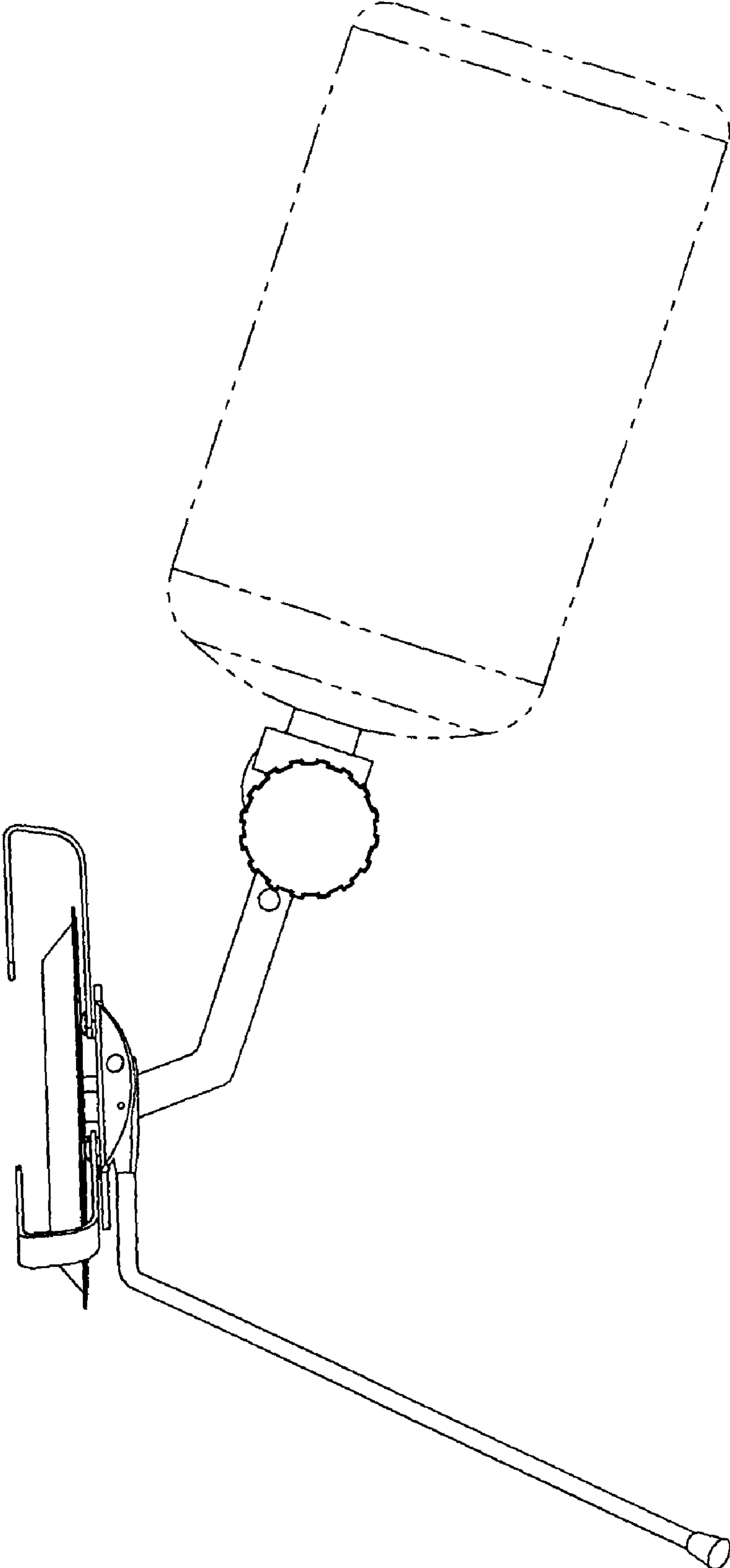


FIGURE 3

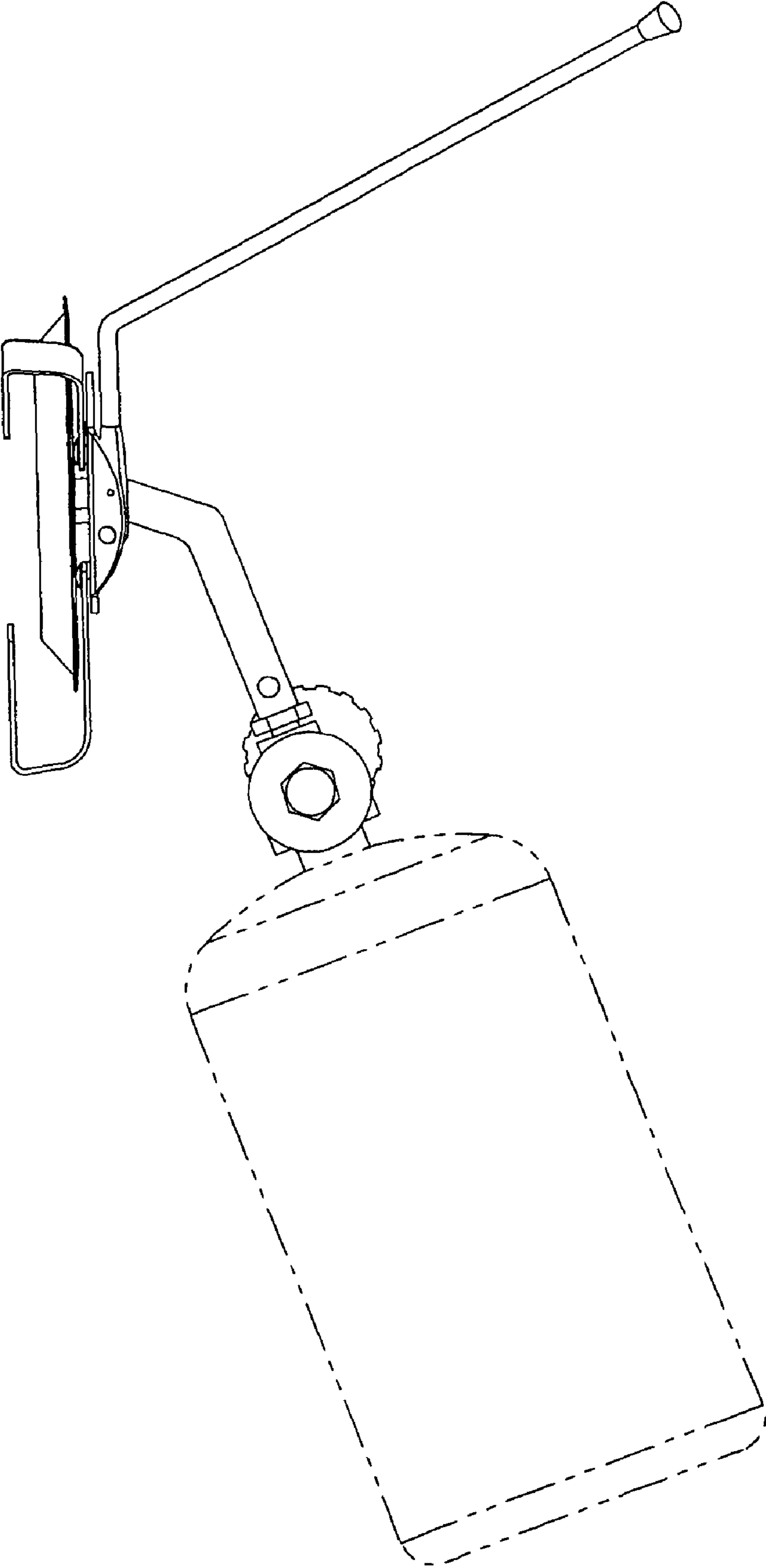


FIGURE 4

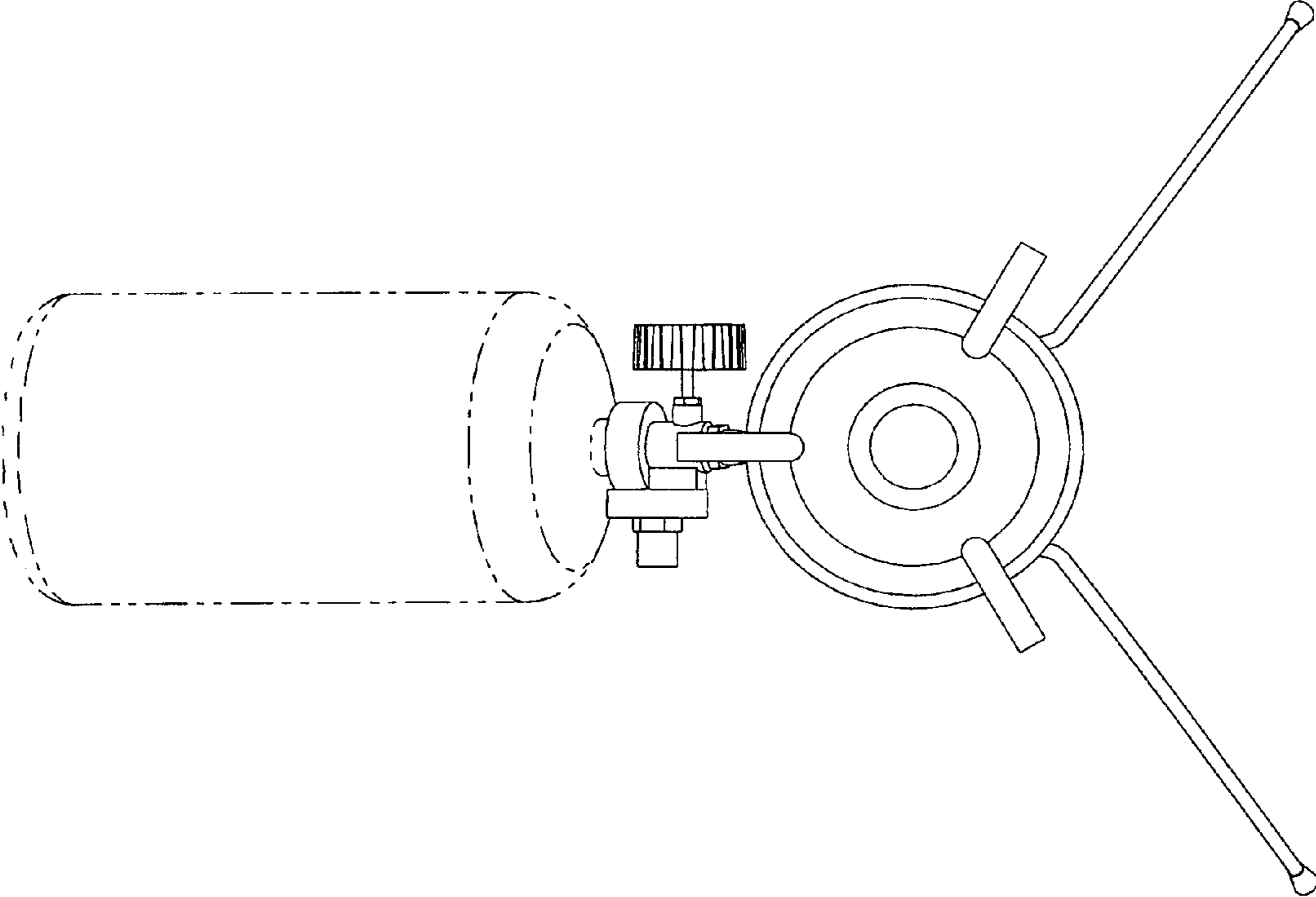


FIGURE 5

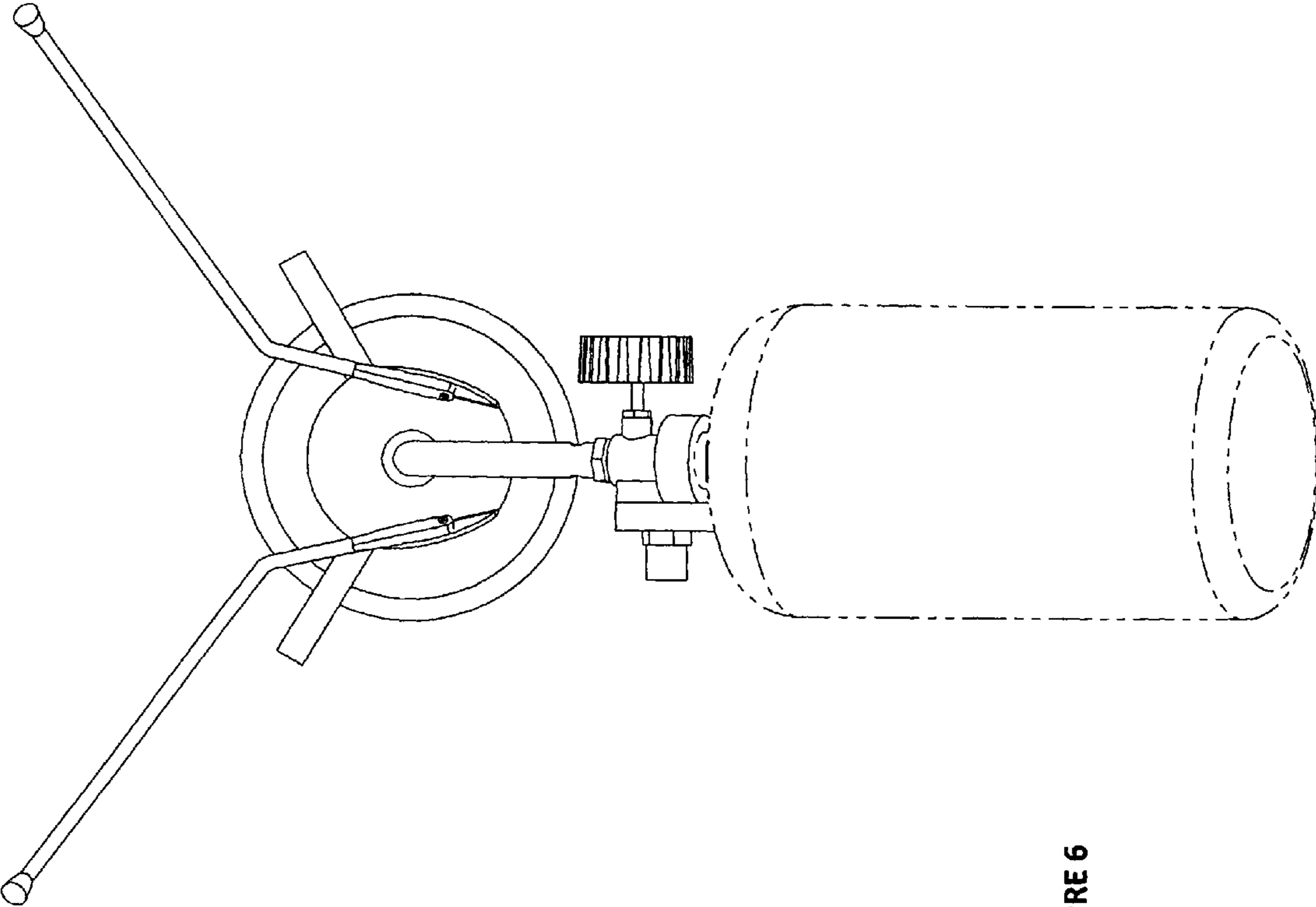


FIGURE 6

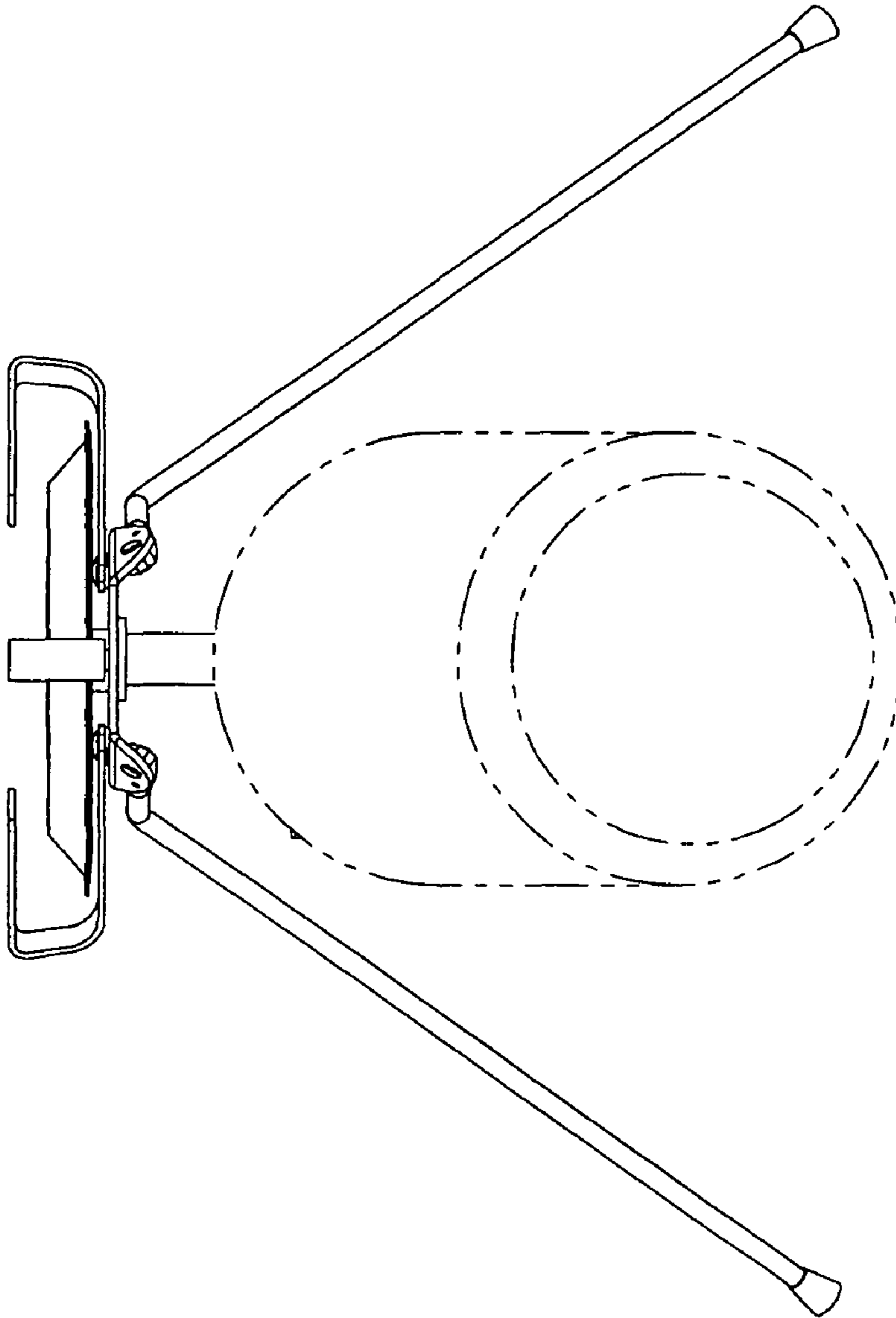


FIGURE 7