



US00D627590S

(12) **United States Design Patent**  
**Proffitt et al.**

(10) **Patent No.:** **US D627,590 S**

(45) **Date of Patent:** **\*\* Nov. 23, 2010**

(54) **GAS GRILL**

(75) Inventors: **Mark Proffitt**, Greeneville, TN (US);  
**Kevin Groth**, Johnson City, TN (US);  
**Whitney Winter**, Greeneville, TN (US);  
**Charles Robert Hebner**, Jonesborough,  
TN (US)

(73) Assignee: **Meco Corporation**, Greeneville, TN  
(US)

(\*\*) Term: **14 Years**

(21) Appl. No.: **29/333,546**

(22) Filed: **Mar. 11, 2009**

**Related U.S. Application Data**

(62) Division of application No. 29/299,826, filed on Jan. 4,  
2008.

(51) **LOC (9) Cl.** ..... **07-02**

(52) **U.S. Cl.** ..... **D7/334**

(58) **Field of Classification Search** ..... None  
See application file for complete search history.

(56) **References Cited**

**U.S. PATENT DOCUMENTS**

D486,033 S \* 2/2004 Tseng ..... D7/334

D501,753 S \* 2/2005 Pai ..... D7/334  
D502,357 S \* 3/2005 Pai ..... D7/334  
D521,307 S \* 5/2006 Parrant et al. .... D7/334  
D521,308 S \* 5/2006 Tseng ..... D7/334  
D529,331 S \* 10/2006 Chung ..... D7/334  
D535,138 S \* 1/2007 Lutz ..... D7/334  
D544,290 S \* 6/2007 Pai ..... D7/334  
D568,670 S \* 5/2008 Proffitt et al. .... D7/334  
D570,150 S \* 6/2008 Pai ..... D7/334

\* cited by examiner

*Primary Examiner*—Ruth McInroy

(74) *Attorney, Agent, or Firm*—McGuireWoods LLP

(57) **CLAIM**

We claim the ornamental design for a gas grill, as shown and  
described.

**DESCRIPTION**

FIG. 1 is a front view of a gas grill showing our new design;

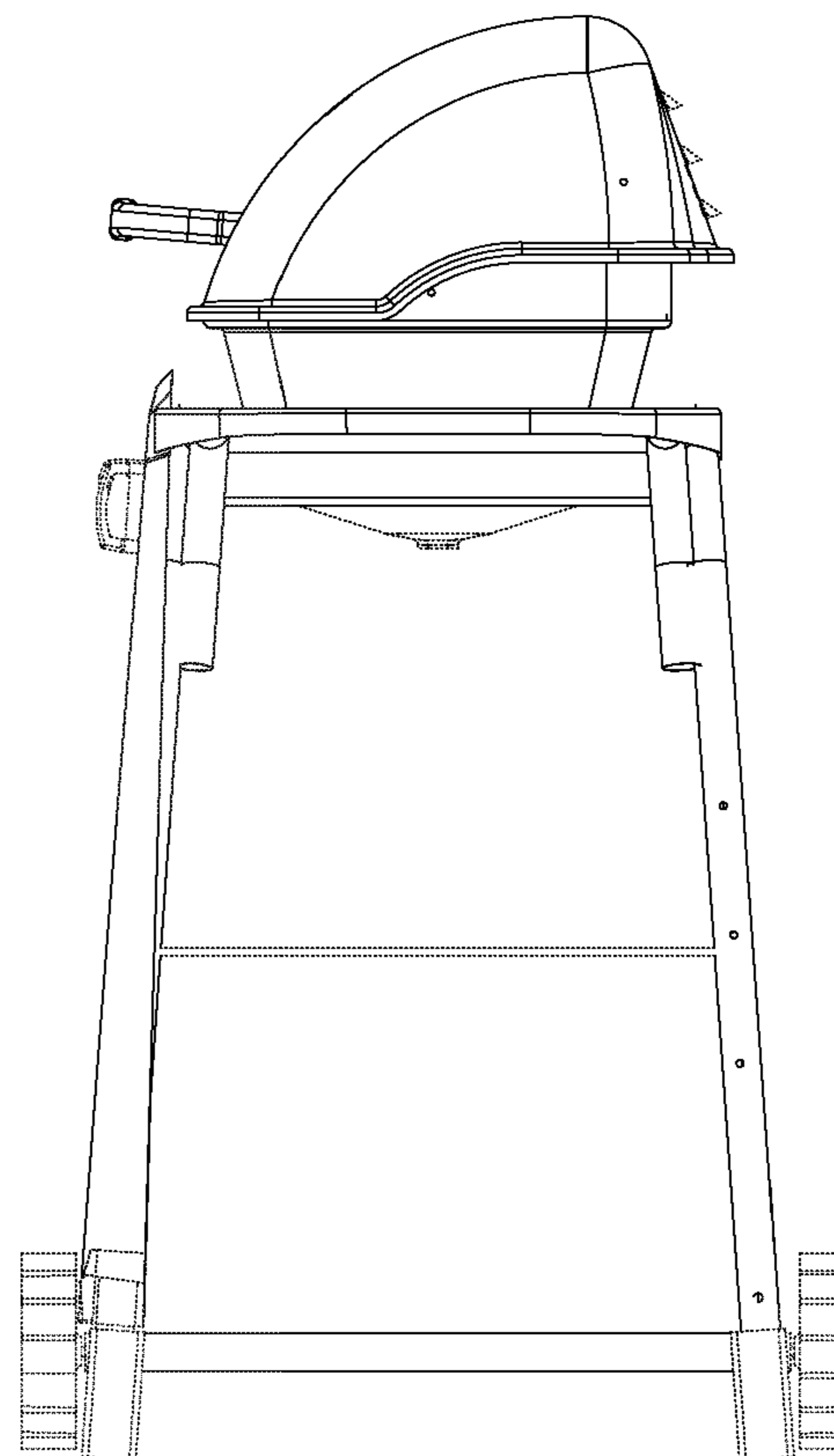
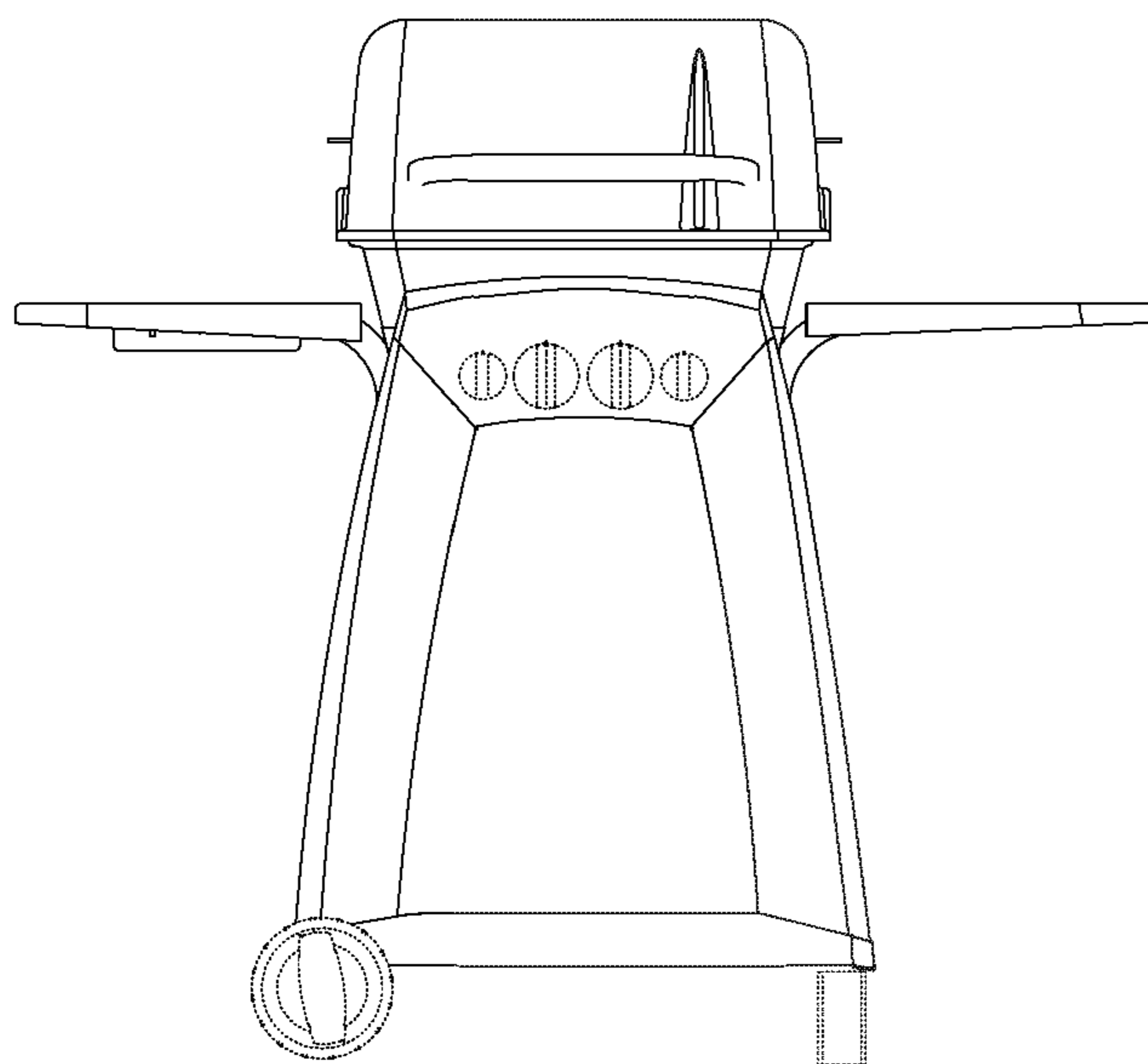
FIG. 2 is a left side view thereof;

FIG. 3 is a top view thereof; and,

FIG. 4 is a top, front and left-side perspective view thereof.

The details shown in broken lines form no part of the claimed  
design.

**1 Claim, 4 Drawing Sheets**



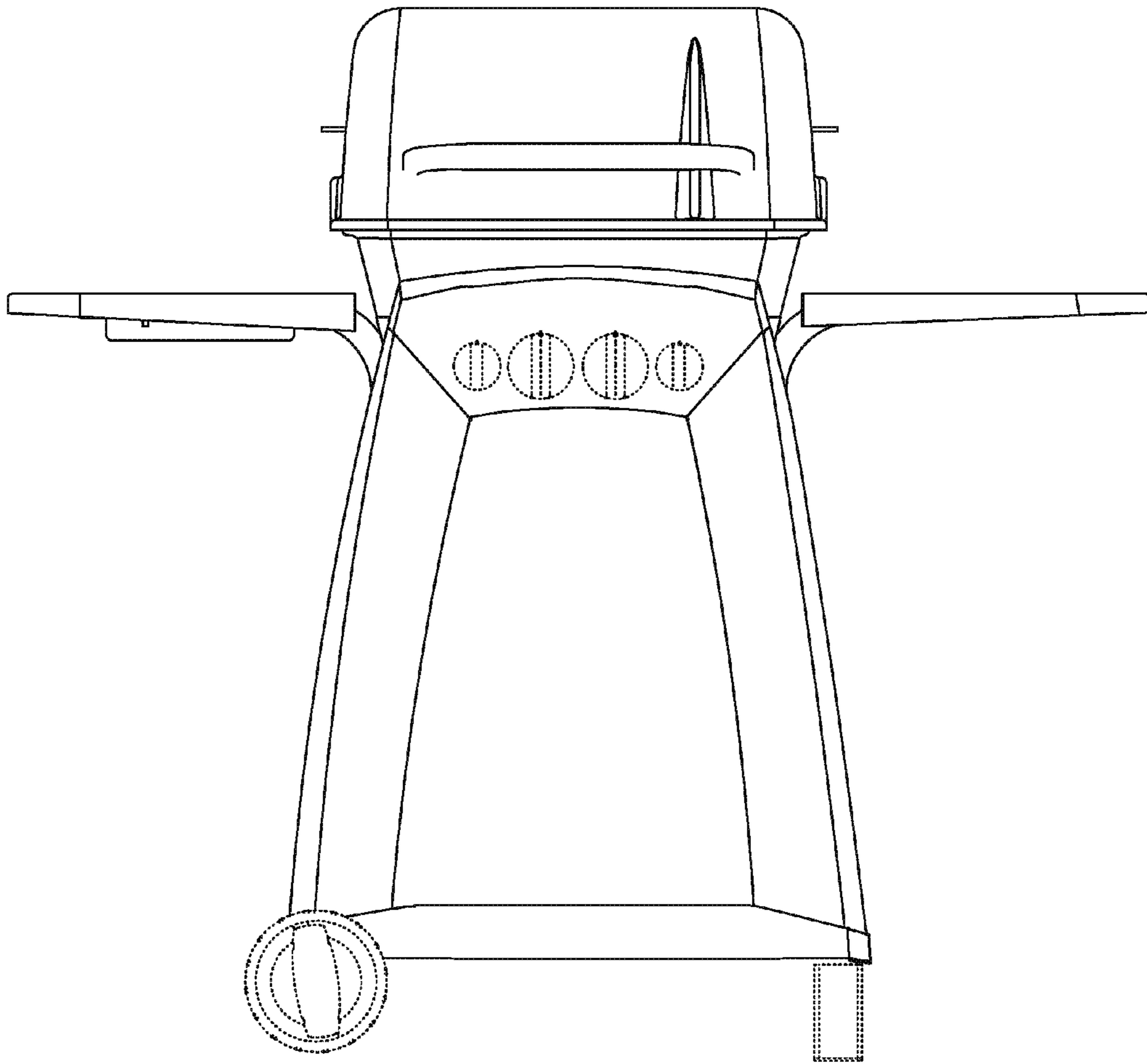


Fig. 1

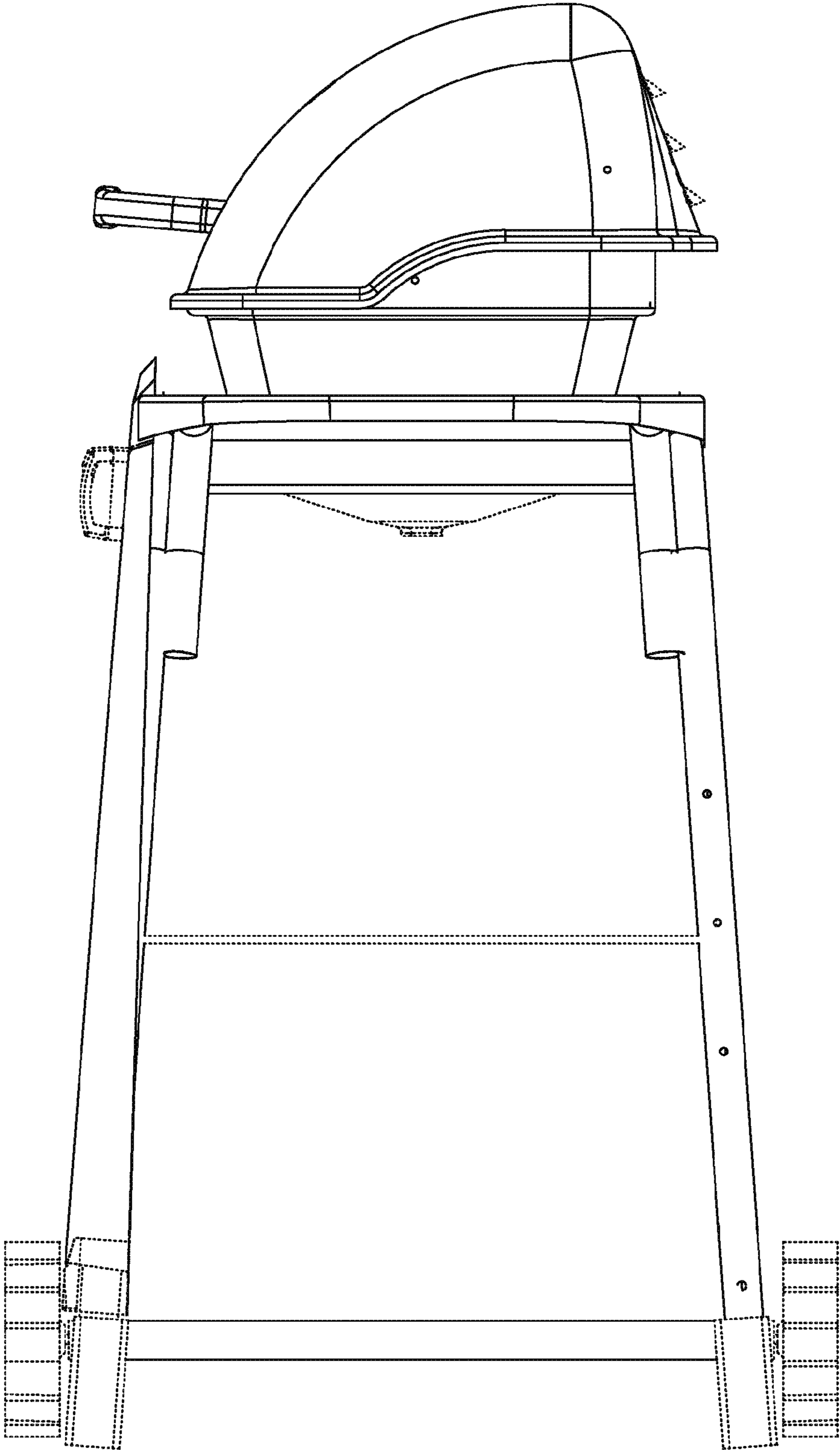


Fig. 2

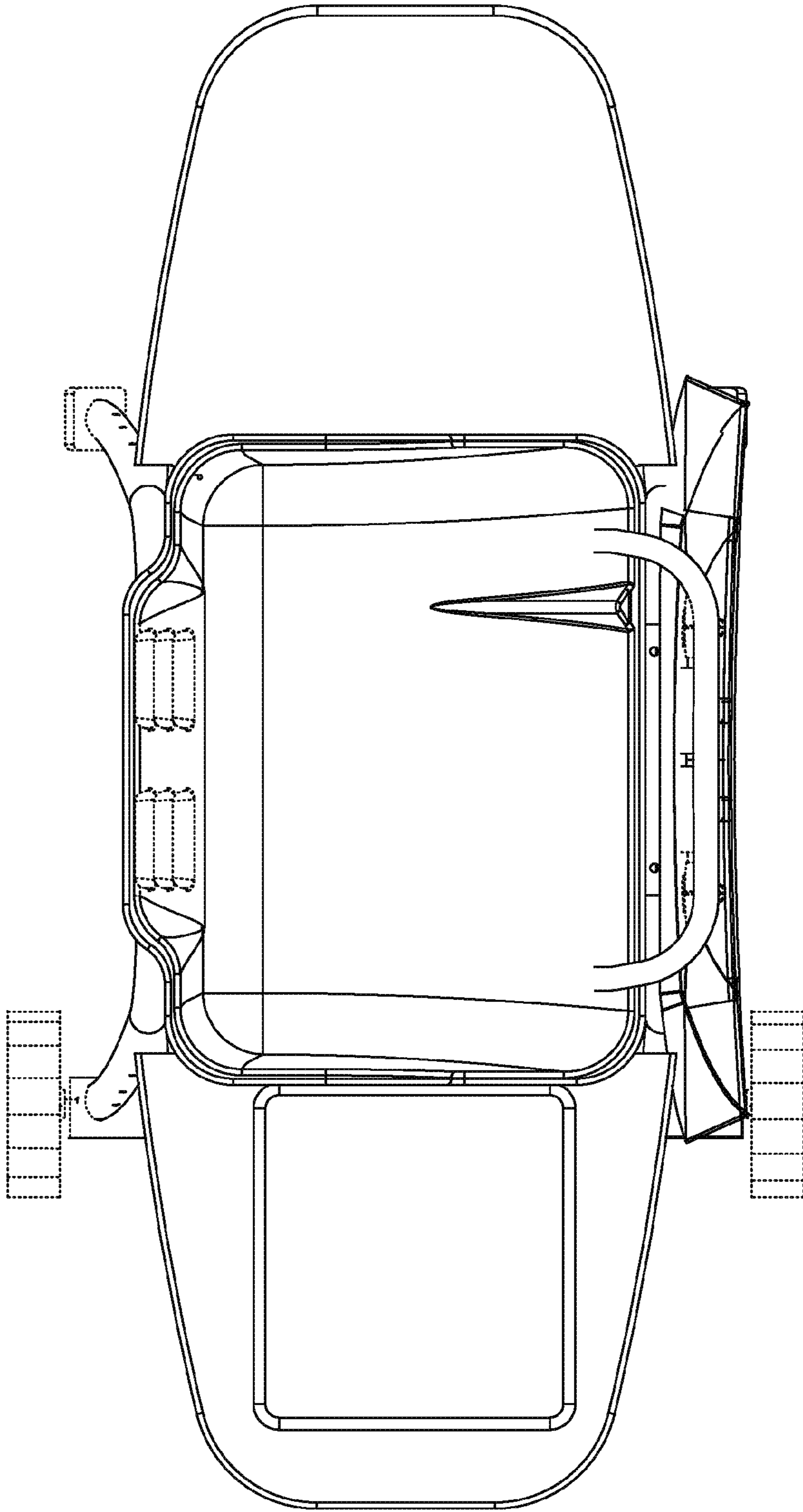


Fig. 3

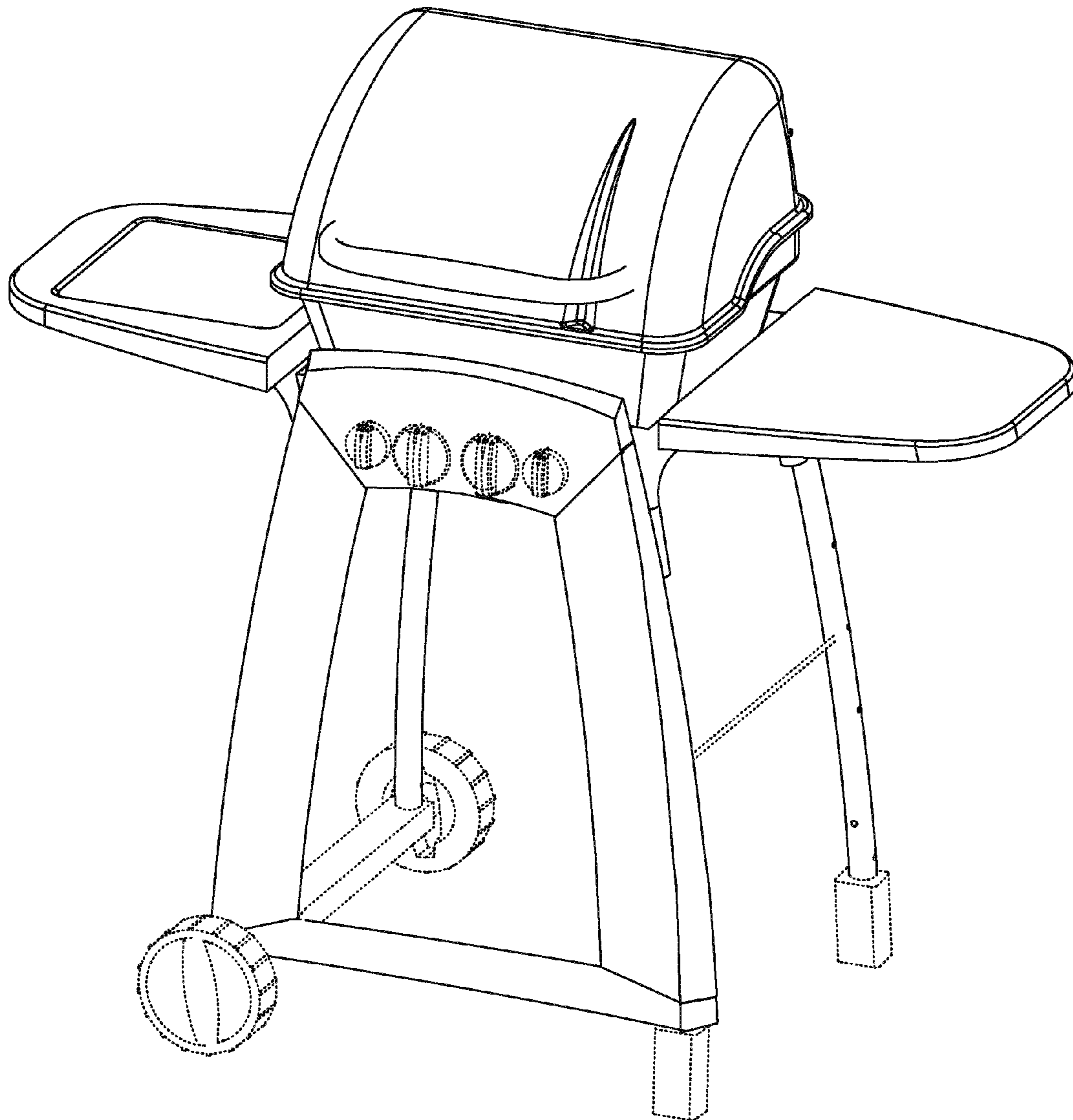


Fig. 4