



US00D627588S

(12) **United States Design Patent**
Wang Chen

(10) **Patent No.:** **US D627,588 S**

(45) **Date of Patent:** **** Nov. 23, 2010**

(54) **TEA POT**

(75) **Inventor:** **Tsai-Hsieh Wang Chen, Taipei (TW)**

(73) **Assignee:** **Cha Cha Thé Culture International Company Limited, Taipei (TW)**

(**) **Term:** **14 Years**

(21) **Appl. No.:** **29/353,405**

(22) **Filed:** **Jan. 7, 2010**

(51) **LOC (9) Cl.** **07-01**

(52) **U.S. Cl.** **D7/320; D7/321**

(58) **Field of Classification Search** **D7/300, D7/321, 322, 312, 320; 222/469, 471, 571, 222/500; 99/295; 220/318**

See application file for complete search history.

(56) **References Cited**

U.S. PATENT DOCUMENTS

D211,273 S *	6/1968	Walker	D7/312
D261,087 S *	10/1981	Myodo	D7/321
D274,594 S *	7/1984	Lebowitz	D7/320
D279,756 S *	7/1985	Lax	D7/320

D343,984 S *	2/1994	Lin	D7/320
D395,788 S *	7/1998	Holland	D7/321
D480,256 S *	10/2003	Jørgensen	D7/321
D524,590 S *	7/2006	Bodum	D7/321
D574,656 S *	8/2008	Lebowitz	D7/319

* cited by examiner

Primary Examiner—Marianne Pandozzi

(74) *Attorney, Agent, or Firm*—Chun-Ming Shih

(57) **CLAIM**

The ornamental design for a tea pot, as shown and described.

DESCRIPTION

FIG. 1 is a perspective view of a tea pot showing my design;

FIG. 2 is a front elevational view thereof;

FIG. 3 is a left side elevational view thereof

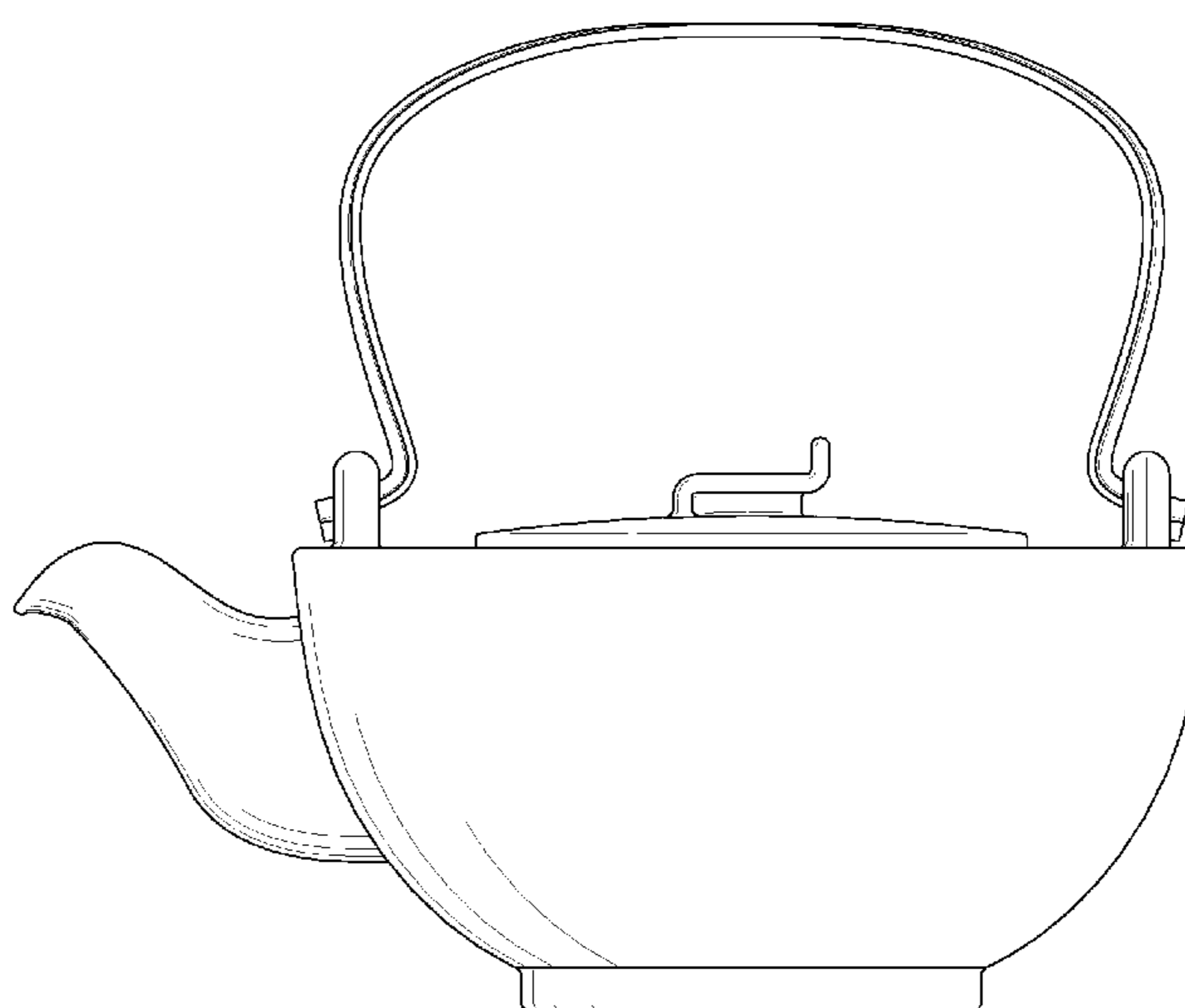
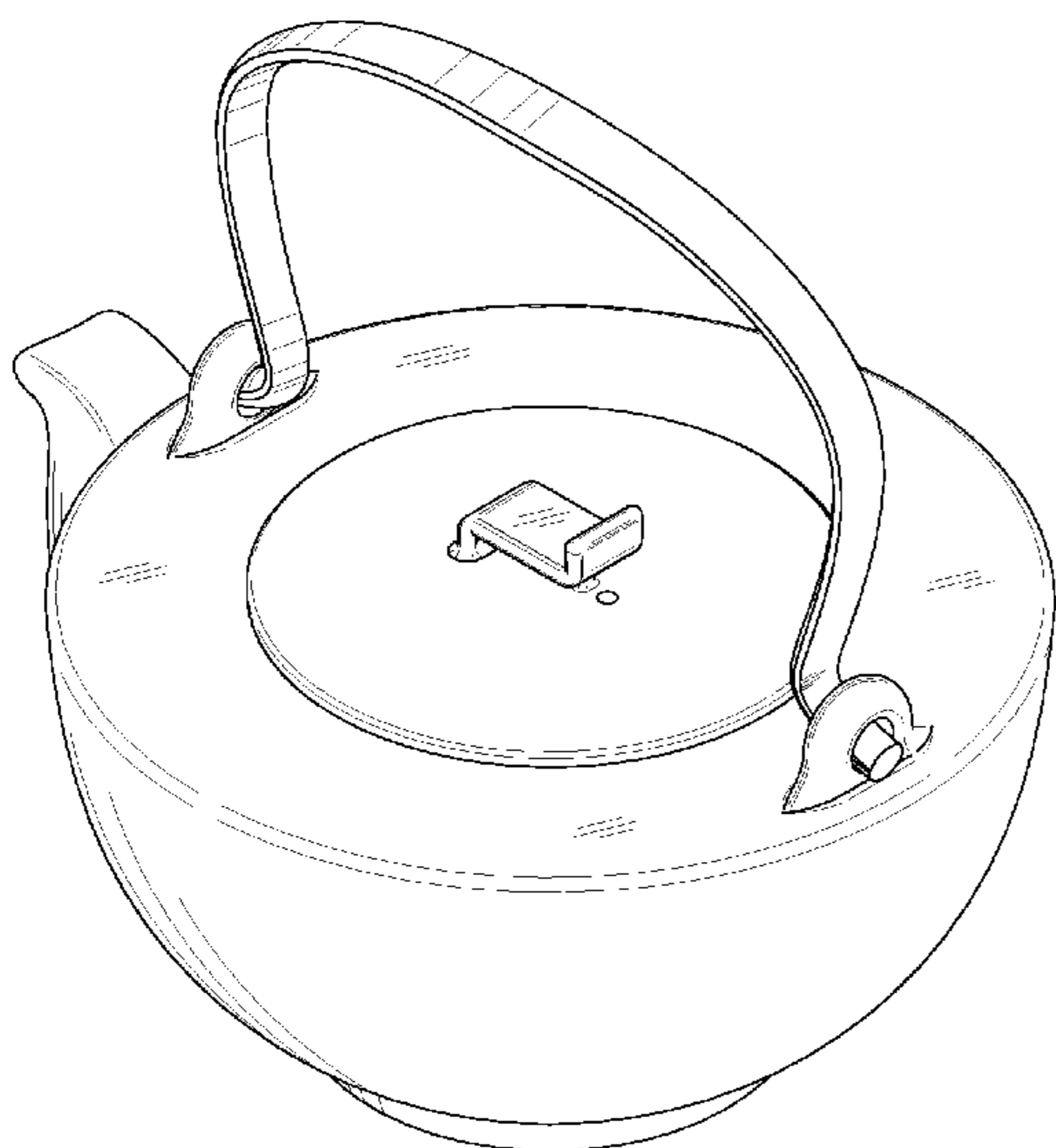
FIG. 4 is a right side elevational view thereof;

FIG. 5 is a top plan view thereof;

FIG. 6 is a bottom plan view thereof; and,

FIG. 7 is a rear elevational view thereof.

1 Claim, 7 Drawing Sheets



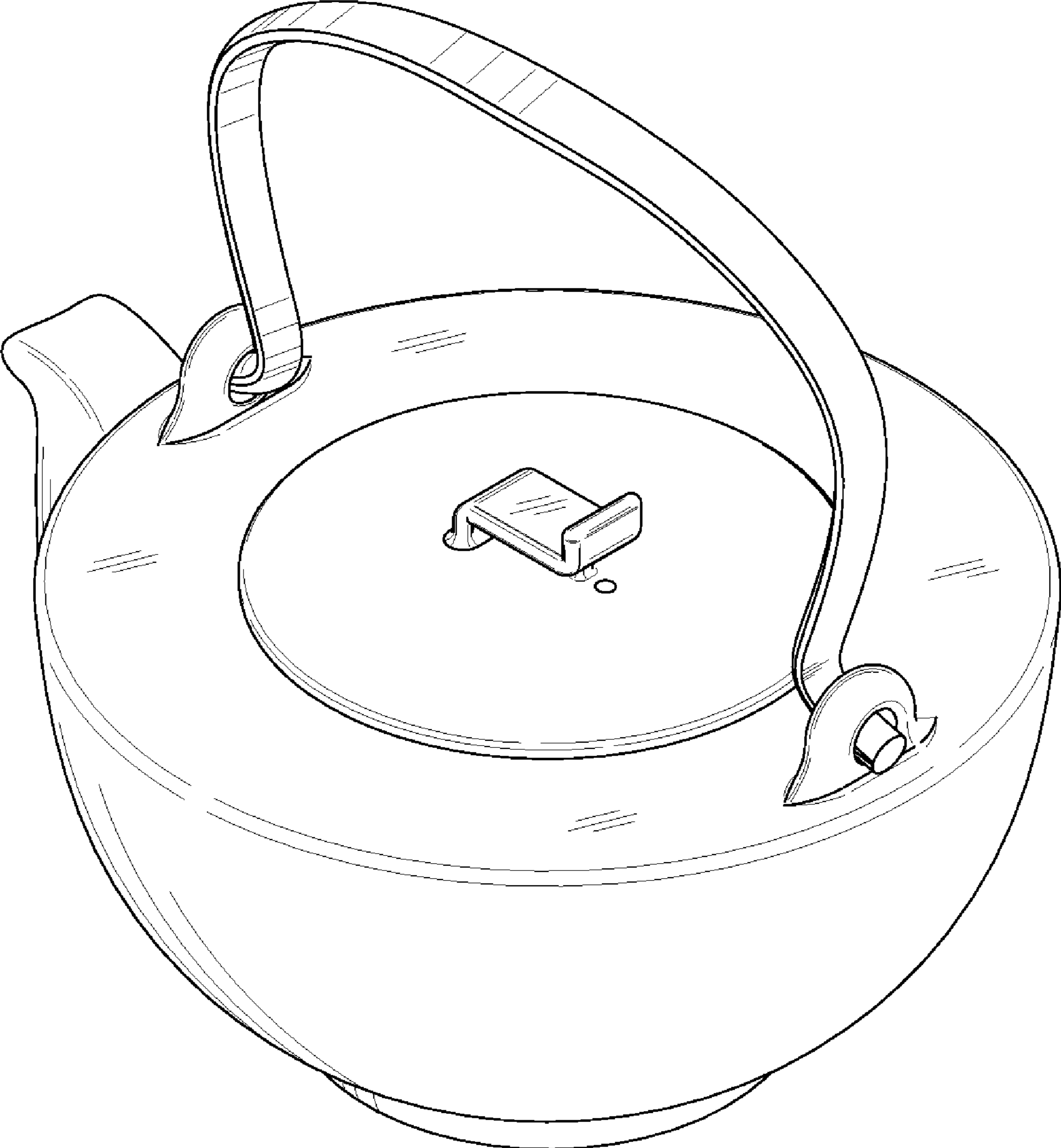


FIG. 1

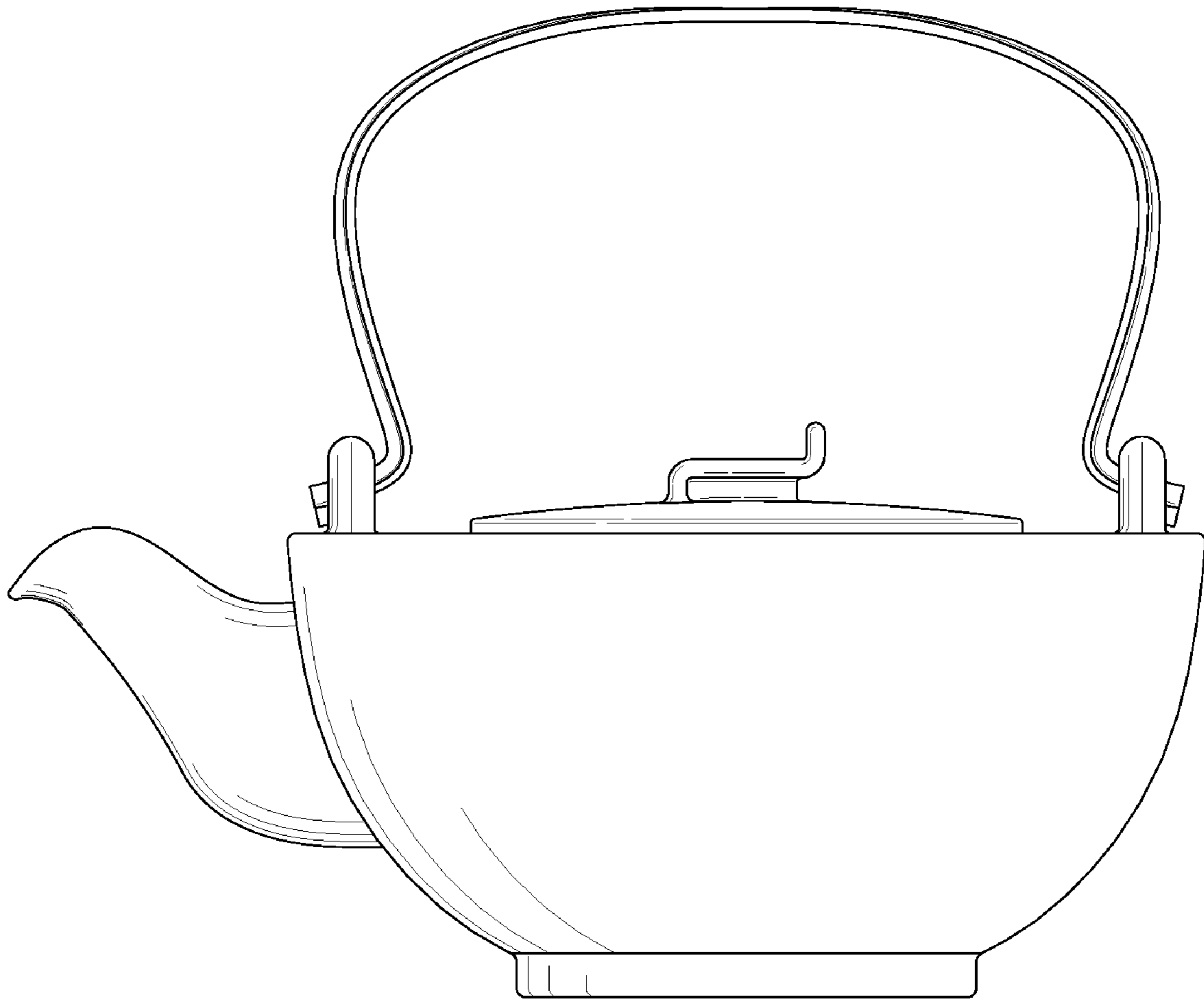


FIG. 2

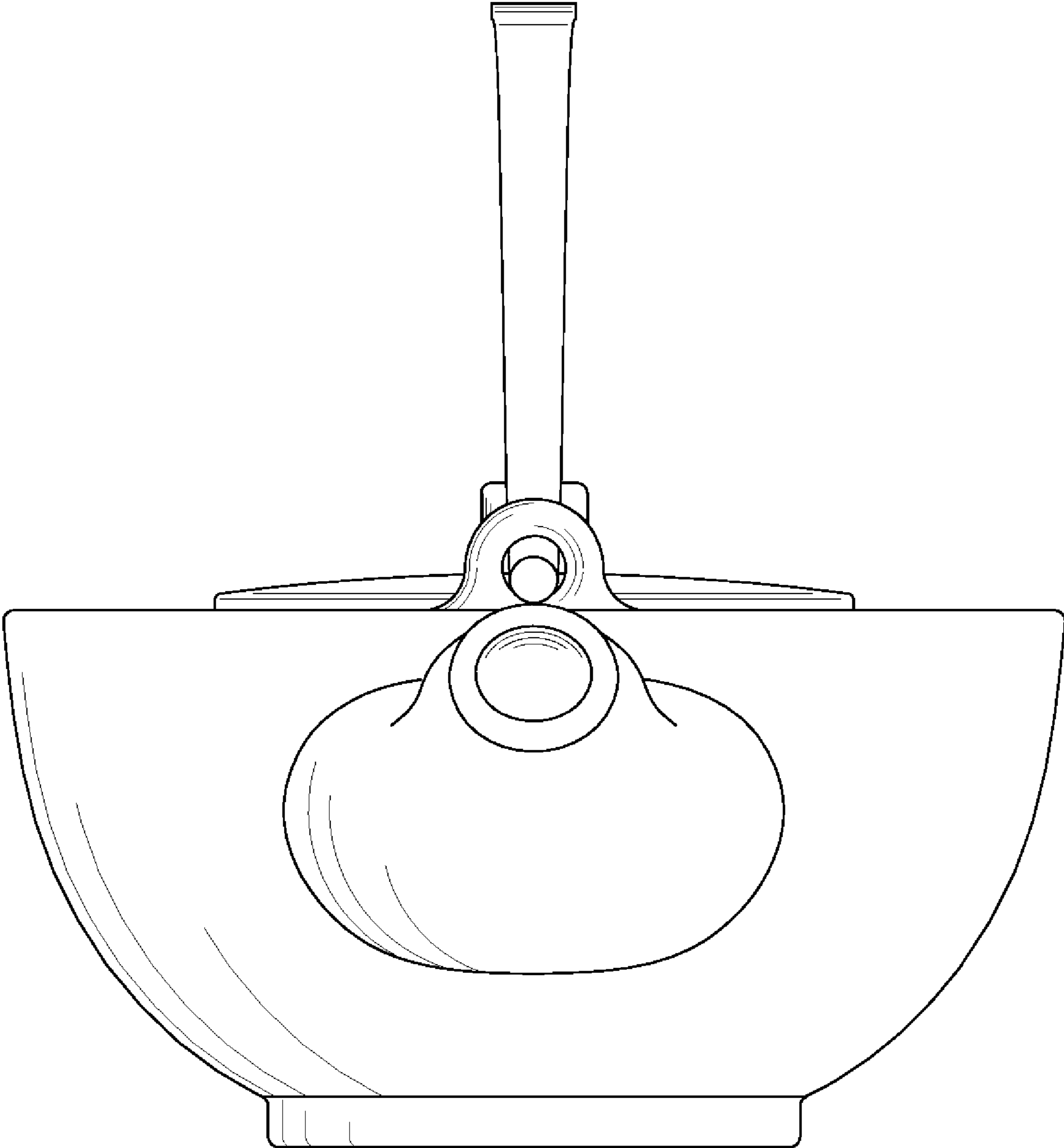


FIG. 3

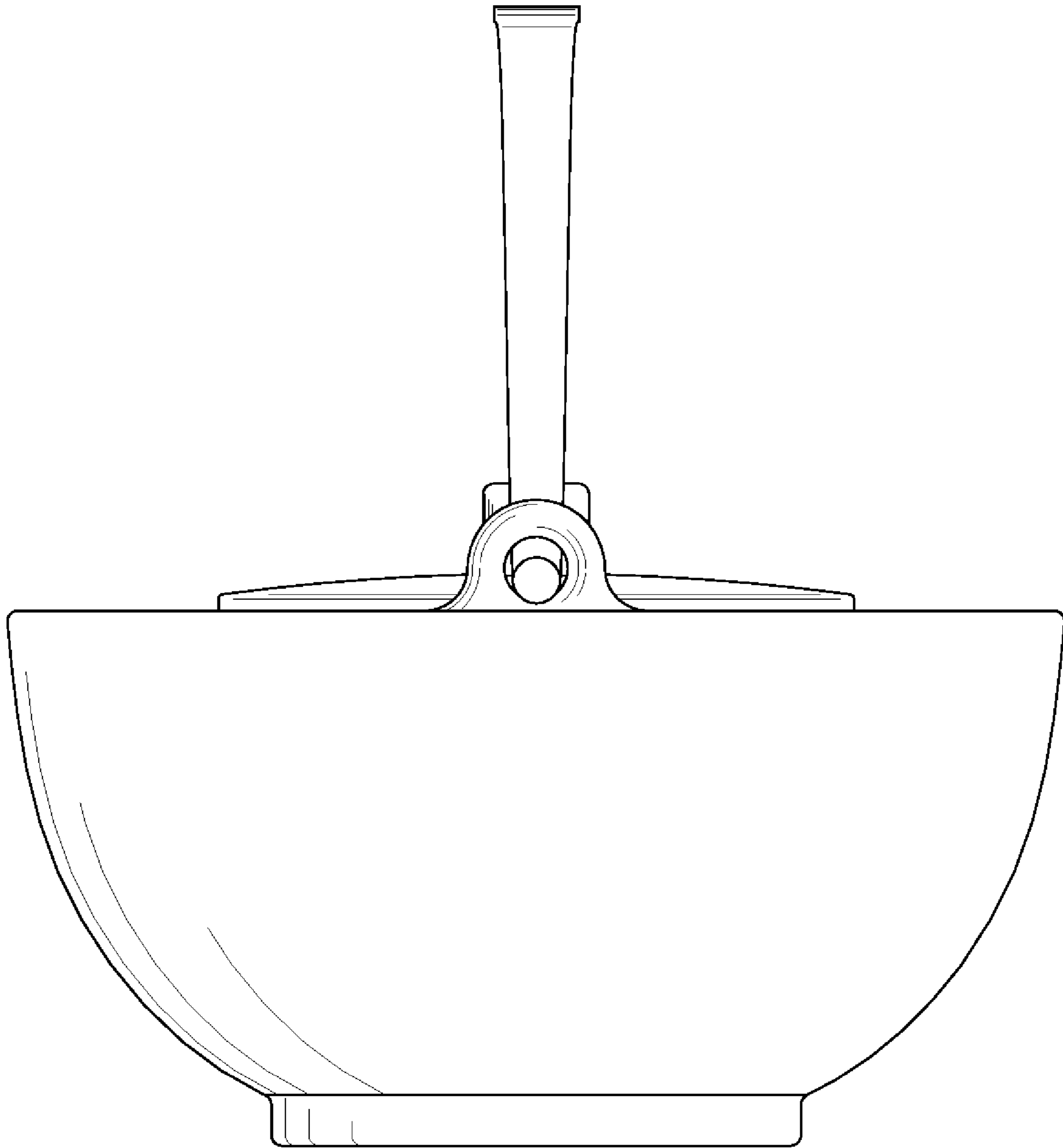


FIG. 4

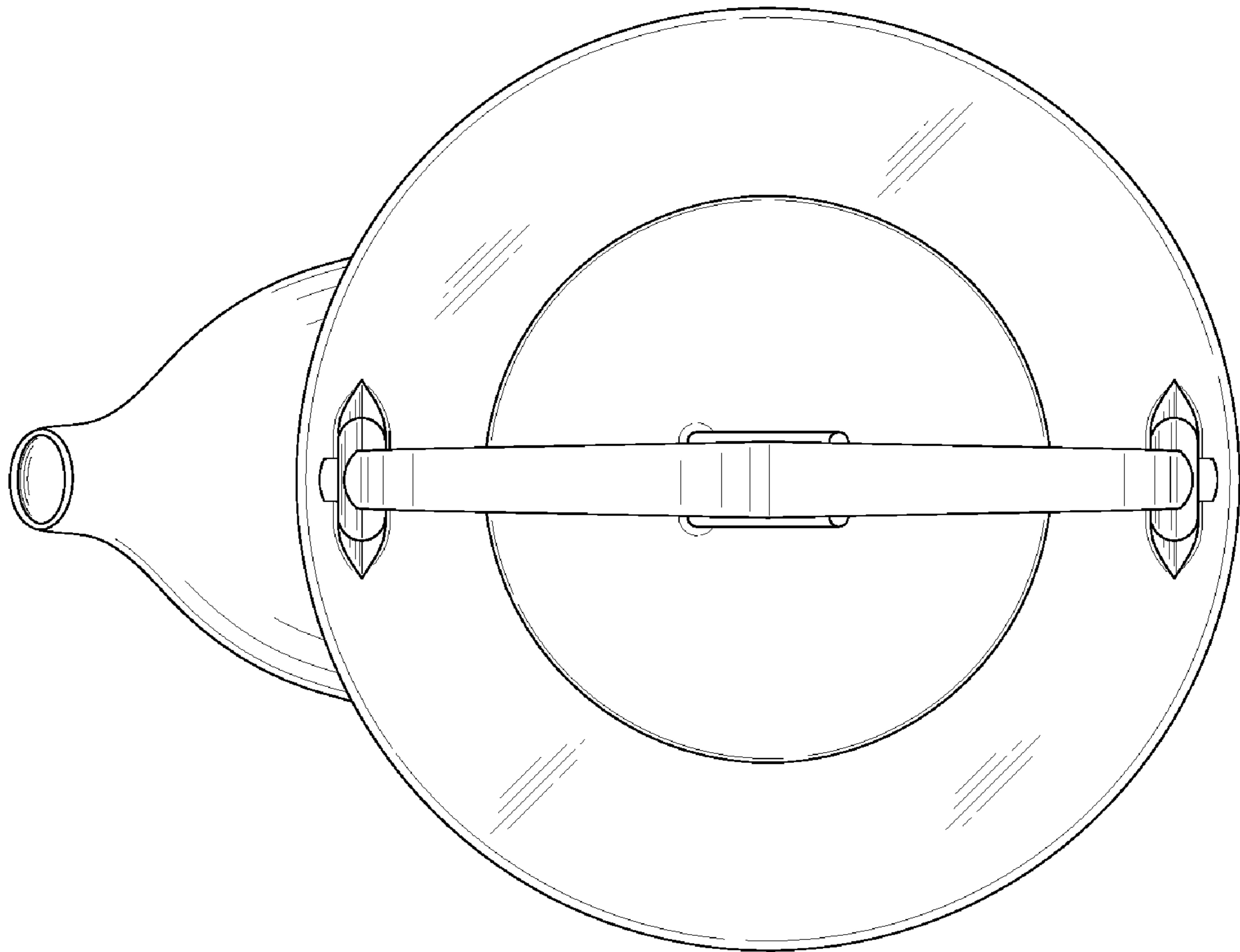


FIG. 5

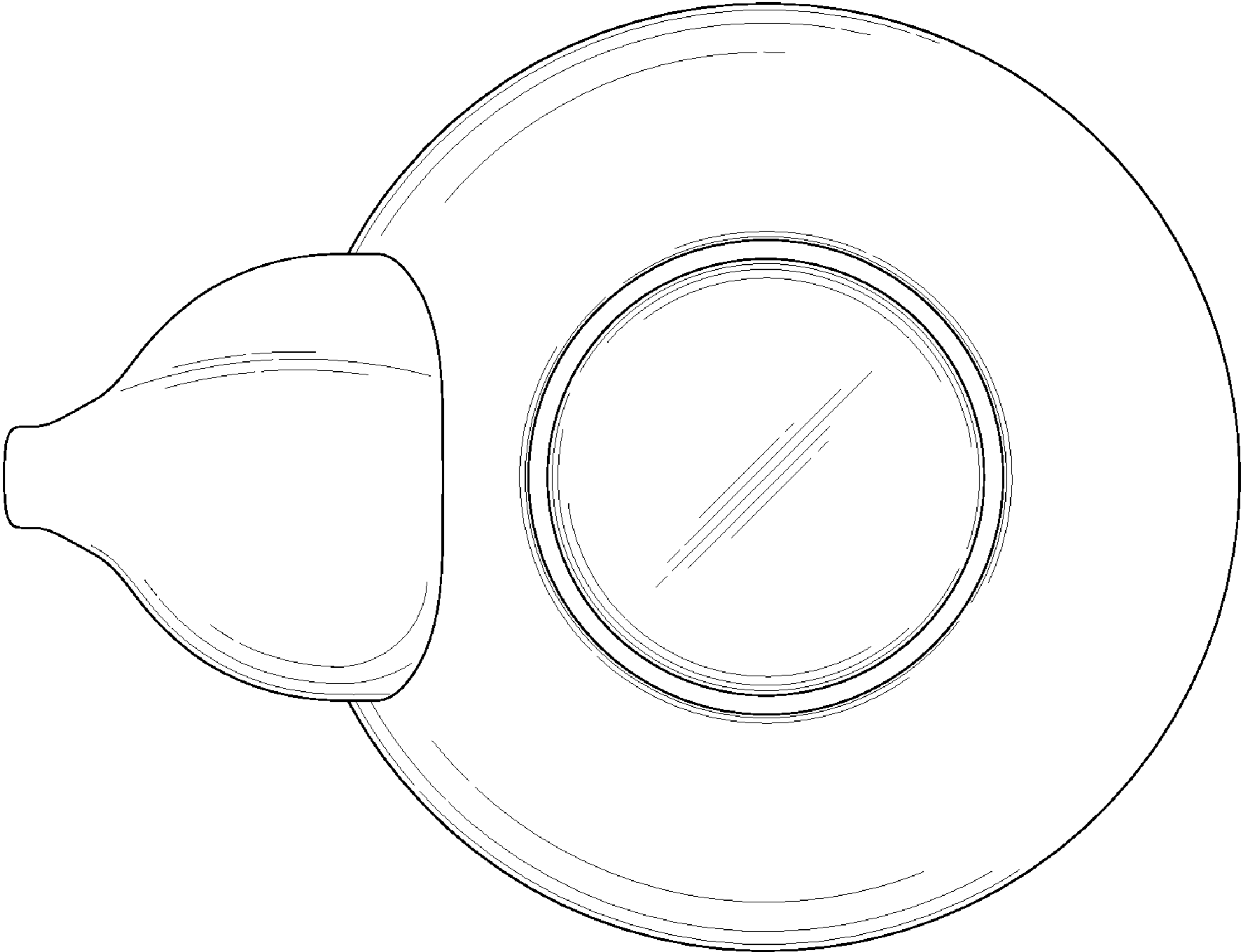


FIG. 6

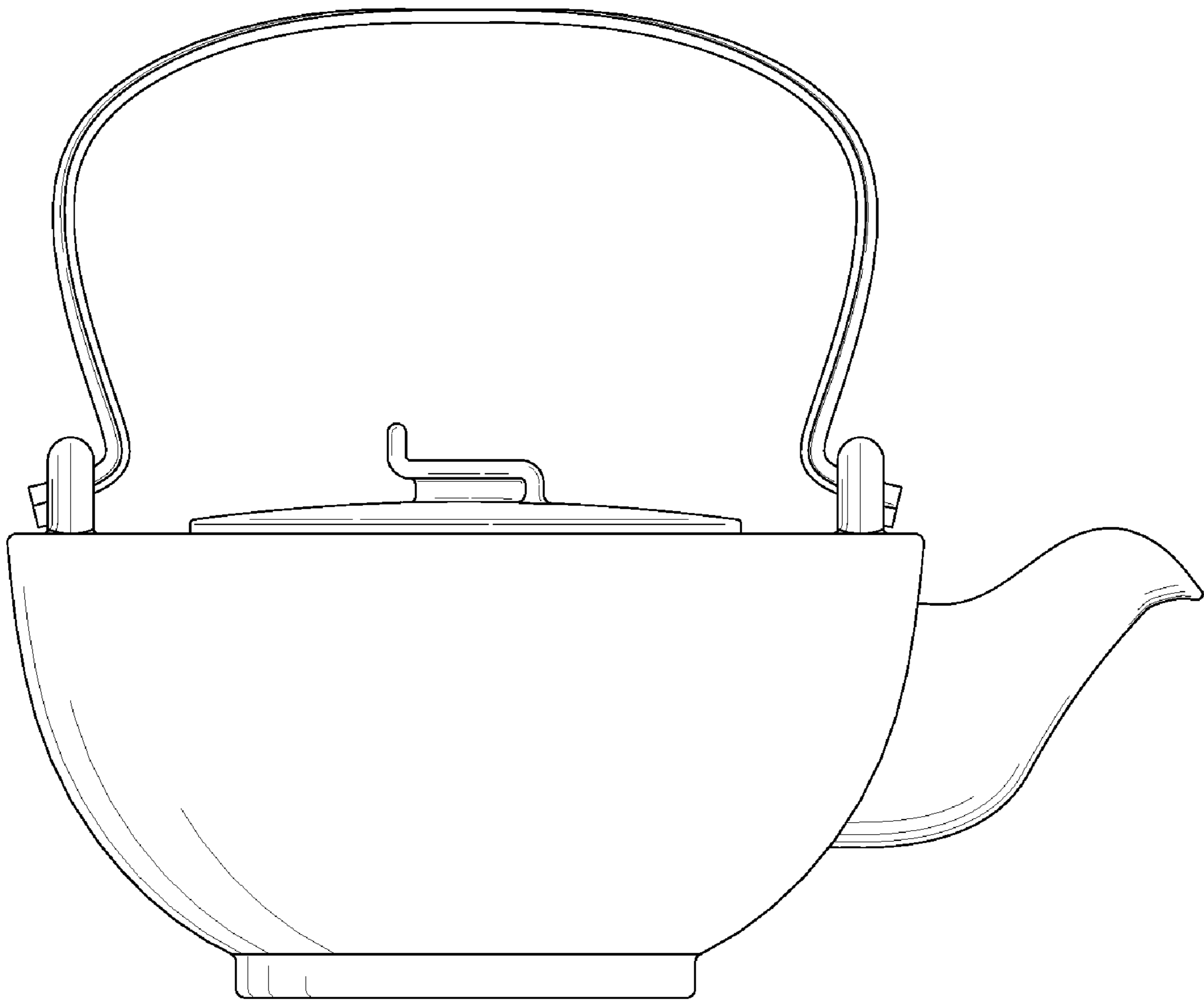


FIG. 7