



US00D627587S

(12) **United States Design Patent**
Dahlström

(10) **Patent No.:** **US D627,587 S**

(45) **Date of Patent:** **** Nov. 23, 2010**

(54) **ELECTRIC KETTLE**

(75) Inventor: **Björn Dahlström**, Stockholm (SE)

(73) Assignee: **SEB S.A.**, Ecully (FR)

(**) Term: **14 Years**

(21) Appl. No.: **29/346,629**

(22) Filed: **Nov. 3, 2009**

(30) **Foreign Application Priority Data**

May 28, 2009 (EM) 001141600-0002

(51) **LOC (9) Cl.** **07-01**

(52) **U.S. Cl.** **D7/319; D7/317**

(58) **Field of Classification Search** D7/300,
D7/598, 600, 316-319, 305, 322; 99/323.3,
99/295; 222/129.1

See application file for complete search history.

(56) **References Cited**

U.S. PATENT DOCUMENTS

818,867	A	*	4/1906	Kressmann	374/195
D287,807	S	*	1/1987	Wilson	D7/317
D367,201	S	*	2/1996	Joergensen	D7/305
D398,474	S	*	9/1998	Wagner	D7/305
D413,223	S	*	8/1999	Choi	D7/319
D414,070	S	*	9/1999	Saltet	D7/319
D437,175	S	*	2/2001	Brady	D7/319

D448,235	S	*	9/2001	J.o slashed.rgensen	D7/319
D480,255	S	*	10/2003	Lecerf	D7/319
D507,449	S	*	7/2005	Burton et al.	D7/309
D545,111	S	*	6/2007	Brown	D7/317
D584,912	S	*	1/2009	Green et al.	D7/318
D586,606	S	*	2/2009	Ma et al.	D7/319
D607,685	S	*	1/2010	Elissen	D7/318
D607,686	S	*	1/2010	Elissen	D7/319
D611,288	S	*	3/2010	Bodum	D7/305

* cited by examiner

Primary Examiner—Marianne Pandozzi

(74) *Attorney, Agent, or Firm*—Young & Thompson

(57) **CLAIM**

The ornamental design for an electric kettle, as shown.

DESCRIPTION

FIG. 1 is a top, front and side perspective view of an electric kettle showing my new design;

FIG. 2 is a front elevational view thereof;

FIG. 3 is a rear elevational view thereof;

FIG. 4 is a side elevational view thereof from the right of FIG. 2;

FIG. 5 is a side elevational view thereof from the left of FIG. 2; and,

FIG. 6 is a top plan view thereof.

1 Claim, 6 Drawing Sheets

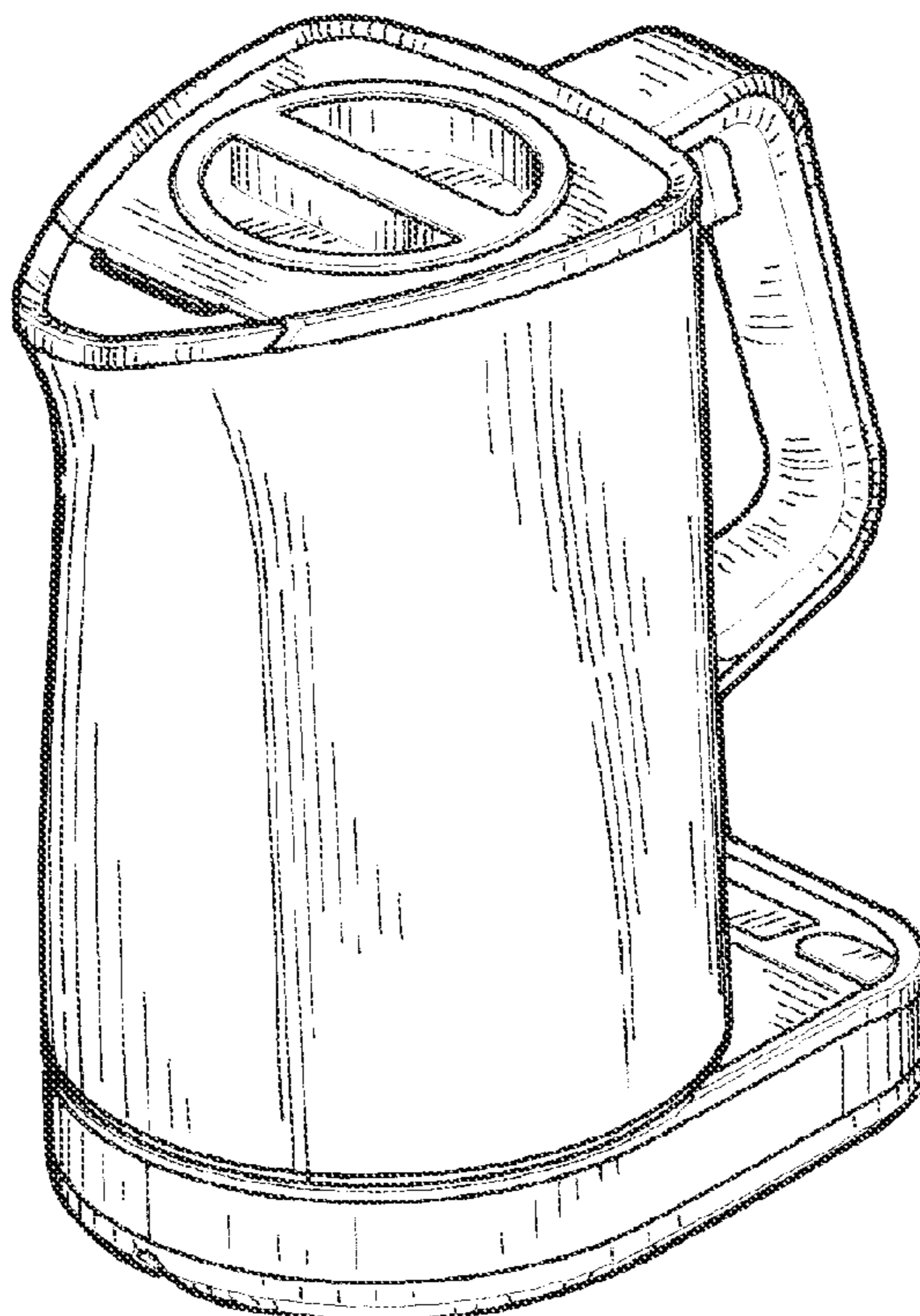


Figure 1

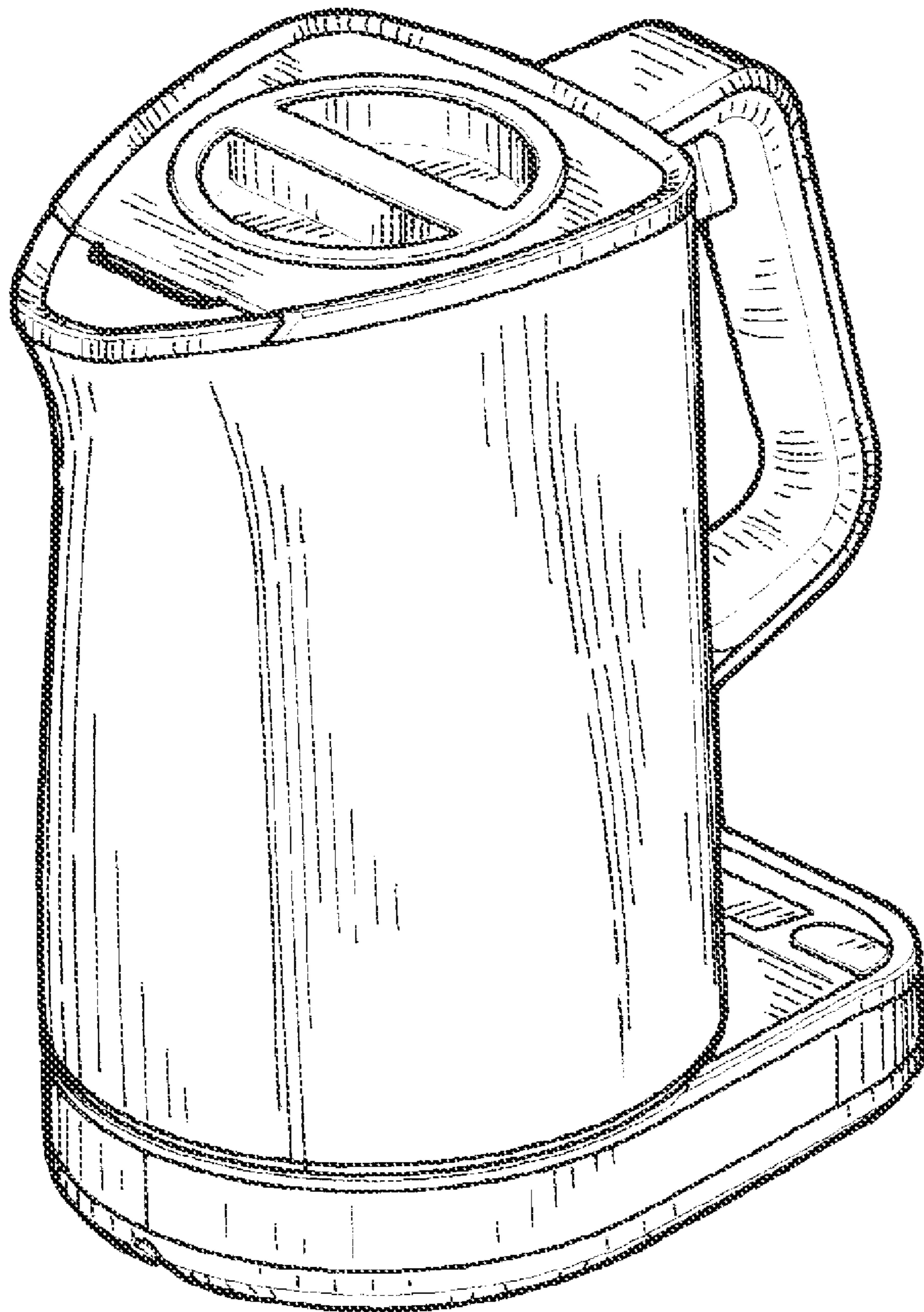


Figure 2

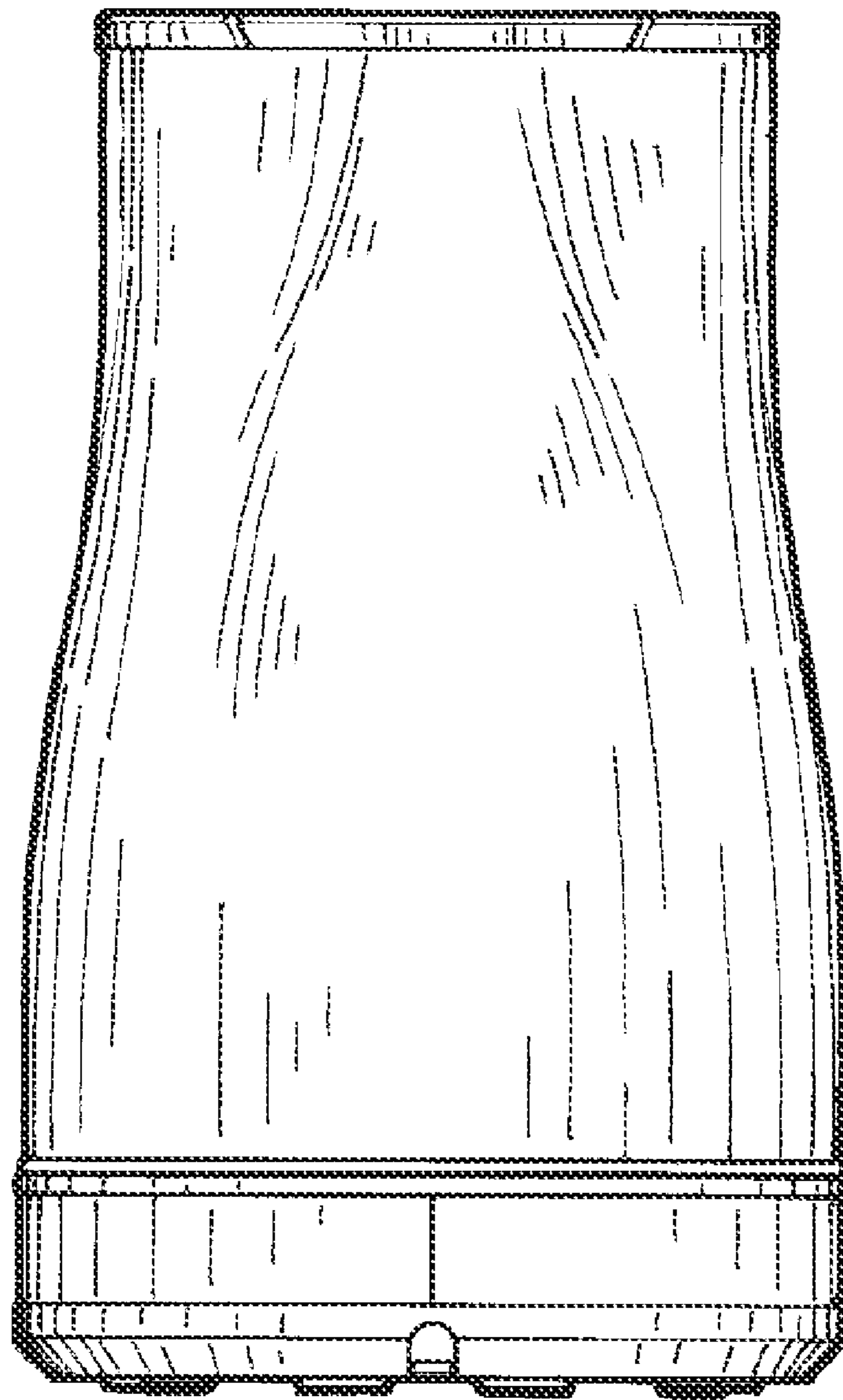


Figure 3

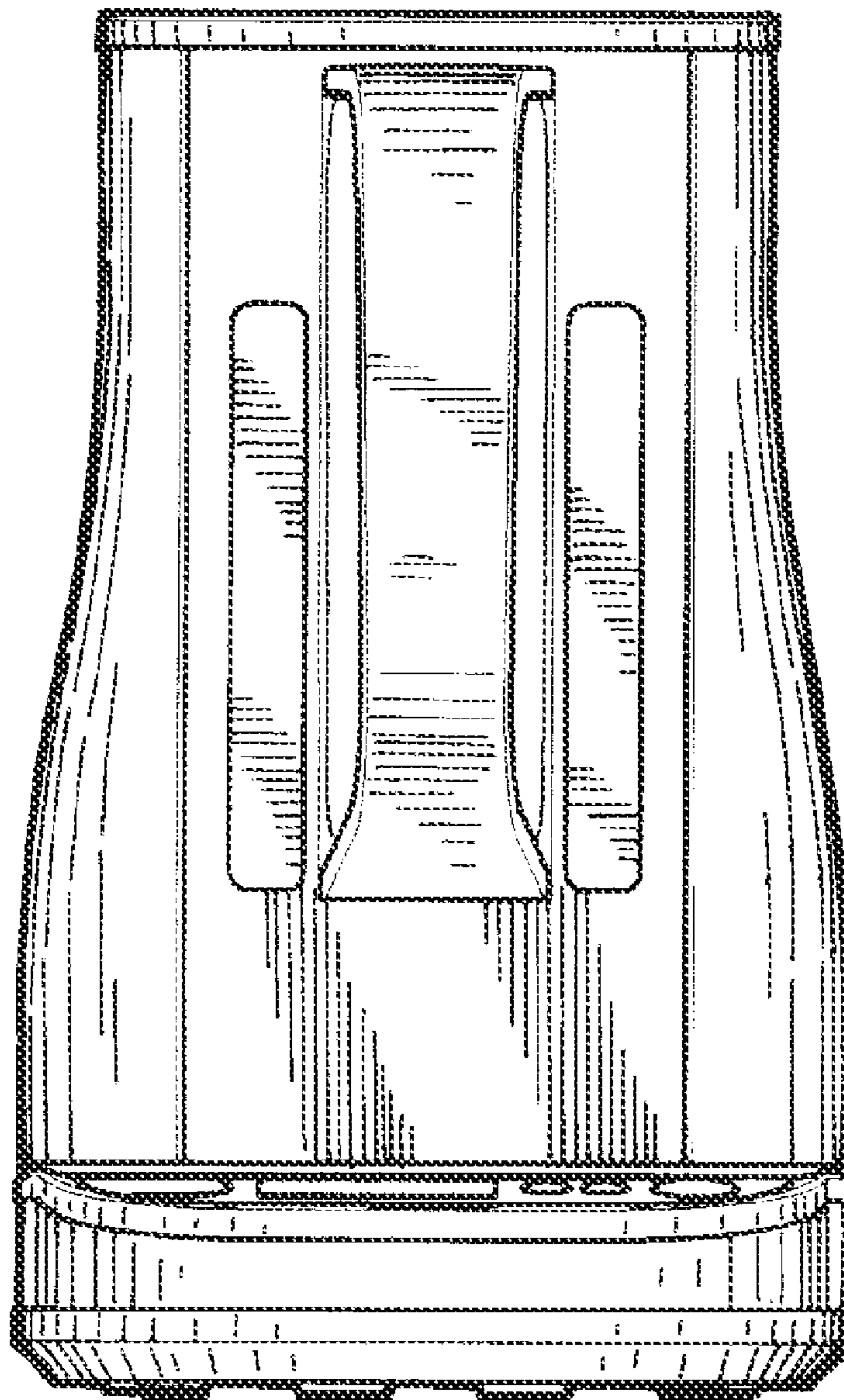


Figure 4

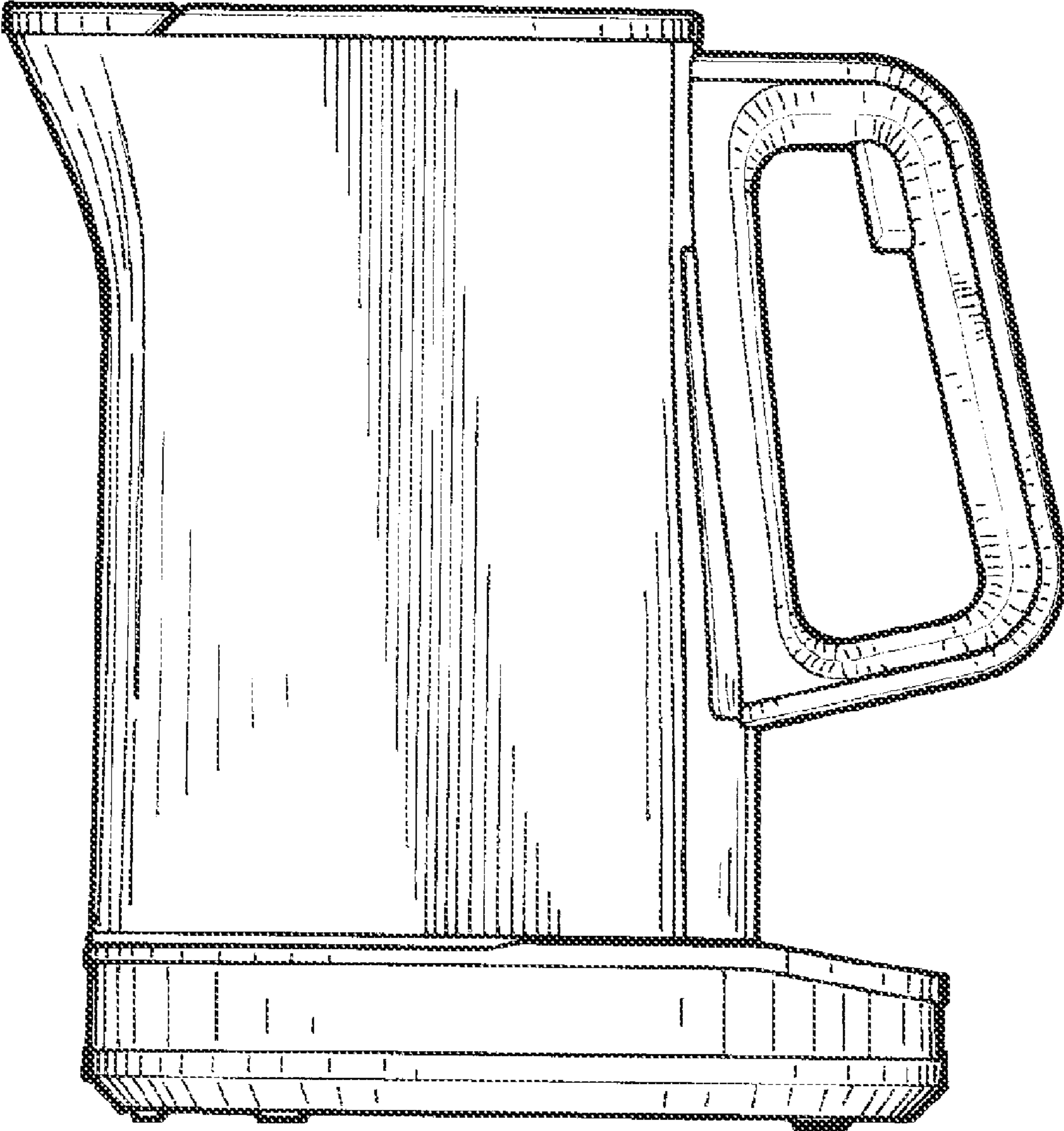


Figure 5

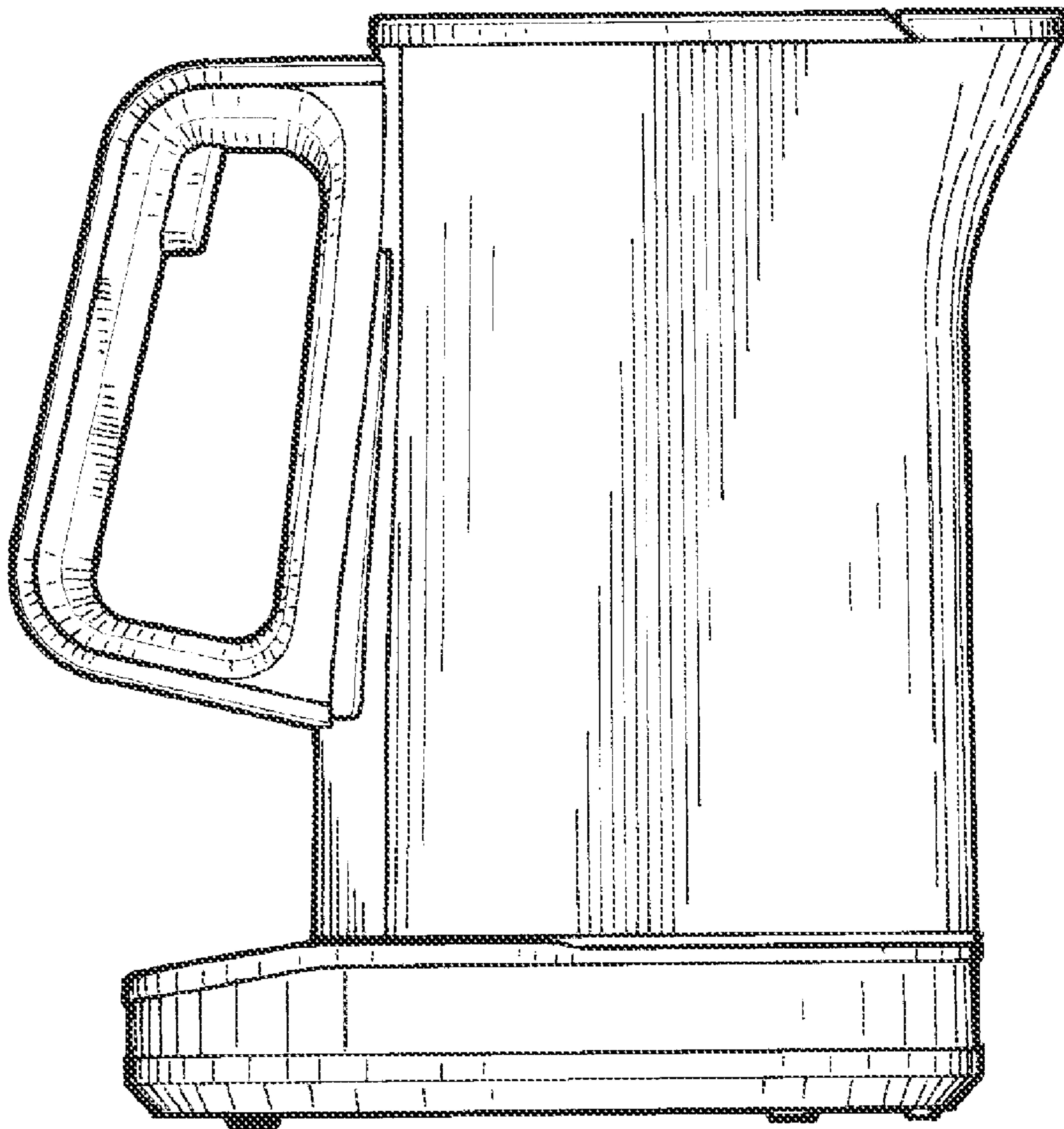


Figure 6

