



US00D627583S

(12) **United States Design Patent**  
**Paille et al.**

(10) **Patent No.:** **US D627,583 S**

(45) **Date of Patent:** **\*\* Nov. 23, 2010**

(54) **PLANT RING**

(75) Inventors: **Michel G. Paille**, Imperial, MO (US);  
**Robert L. Sanazaro, Jr.**, St. Louis, MO  
(US)

(73) Assignee: **Veggie Cage, LLC**, St. Louis, MO (US)

(\*\*) Term: **14 Years**

(21) Appl. No.: **29/366,591**

(22) Filed: **Jul. 27, 2010**

(51) **LOC (9) Cl.** ..... **11-02**

(52) **U.S. Cl.** ..... **D6/556**

(58) **Field of Classification Search** ..... D6/403–405,  
D6/556–558; D8/1; D11/143–156, 164;  
D19/77, 80, 81, 84; D25/100; D26/9–11,  
D26/16, 19; D34/1, 2, 4–6; D99/5, 19; 47/17,  
47/32.4, 32.5, 32.7, 33, 39, 41.01, 41.1, 41.11–41.15,  
47/44–47, 65, 65.5, 65.9, 66.1, 66.2, 66.6,  
47/66.7, 67–71

See application file for complete search history.

(56) **References Cited**

**U.S. PATENT DOCUMENTS**

1,758,767 A \* 5/1930 Taggart ..... 239/556  
D266,382 S \* 10/1982 Hutchinson ..... D6/556  
D277,610 S \* 2/1985 Arginsky ..... D23/216

5,649,682 A \* 7/1997 Martin ..... 248/210  
D392,487 S \* 3/1998 Cambron ..... D6/566  
D406,978 S \* 3/1999 Cox ..... D6/556  
D451,697 S \* 12/2001 Morley ..... D6/403  
D468,942 S \* 1/2003 Rafoth et al. .... D6/513  
D504,586 S \* 5/2005 Rafoth et al. .... D6/513  
D591,094 S \* 4/2009 Paille ..... D6/556

\* cited by examiner

*Primary Examiner*—Garth Rademaker

(74) *Attorney, Agent, or Firm*—Kevin L. Klug

(57) **CLAIM**

The ornamental design for a plant ring, as shown and described.

**DESCRIPTION**

FIG. 1 is a top, front, right side perspective view of a plant ring, showing our new design;

FIG. 2 is a top, rear, right side perspective view thereof;

FIG. 3 is a front elevation view thereof;

FIG. 4 is a rear elevation view thereof;

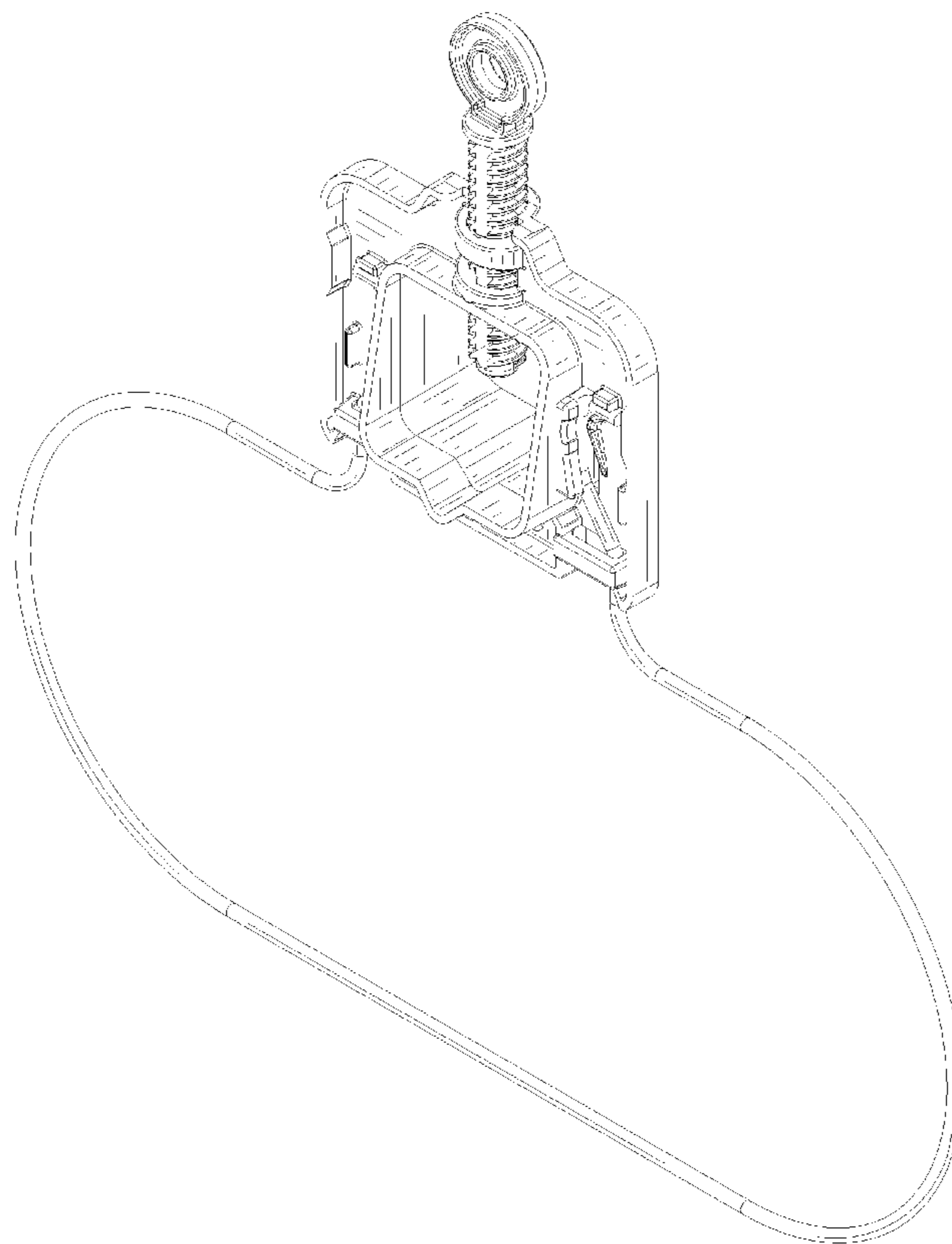
FIG. 5 is a left side elevation view thereof;

FIG. 6 is a right side elevation view thereof;

FIG. 7 is a top plan view thereof; and,

FIG. 8 is a bottom plan view thereof.

**1 Claim, 6 Drawing Sheets**



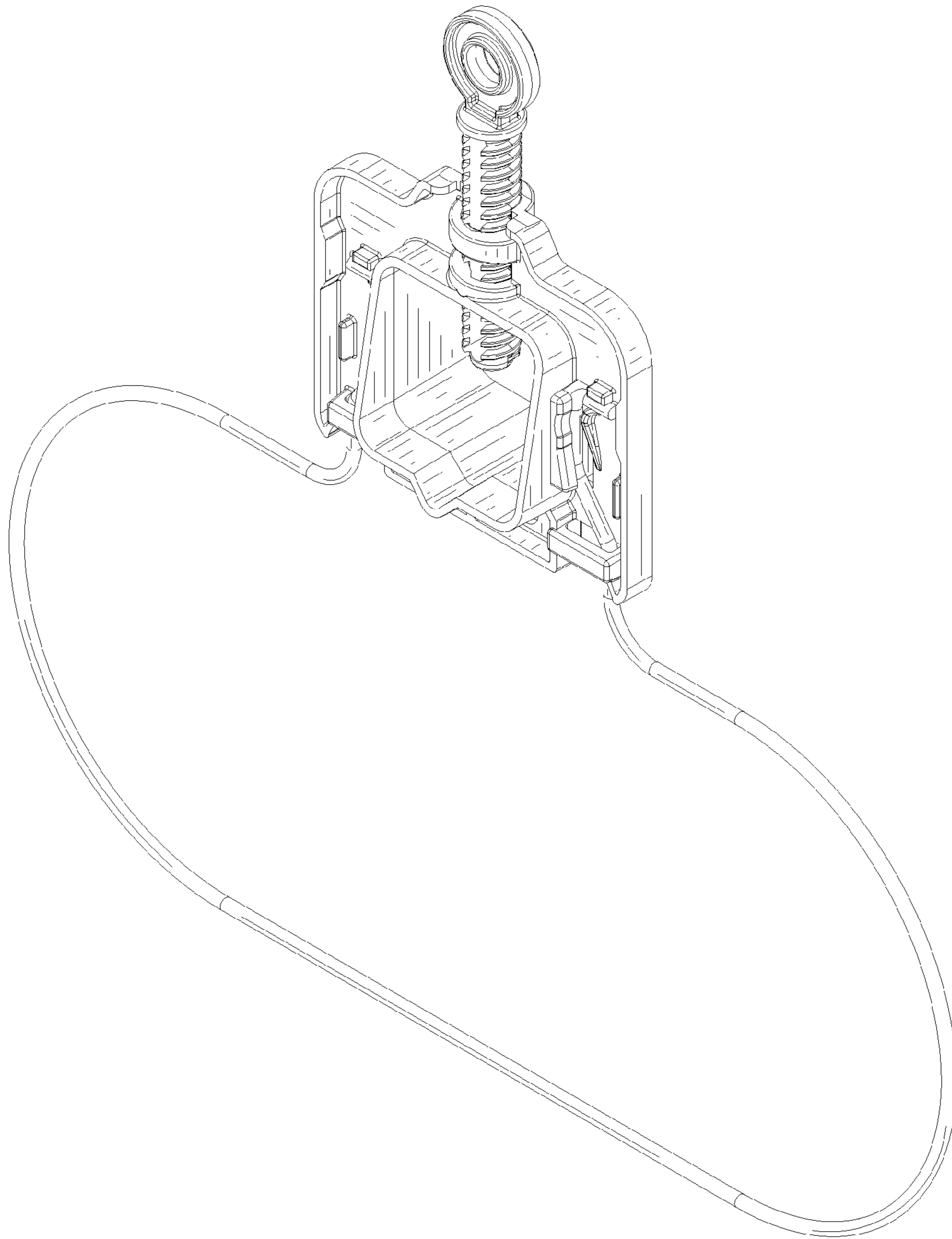


Fig. 1

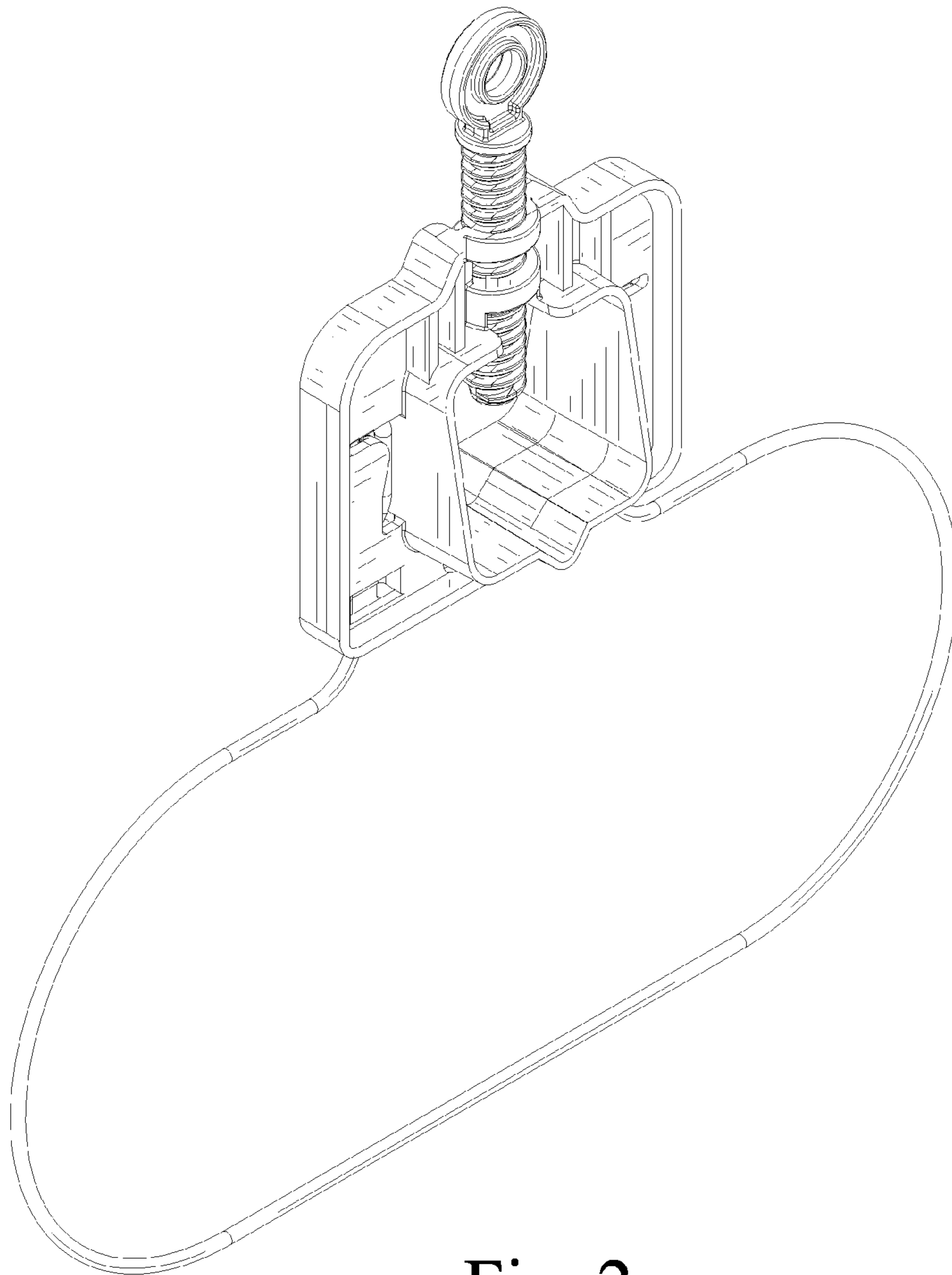


Fig. 2

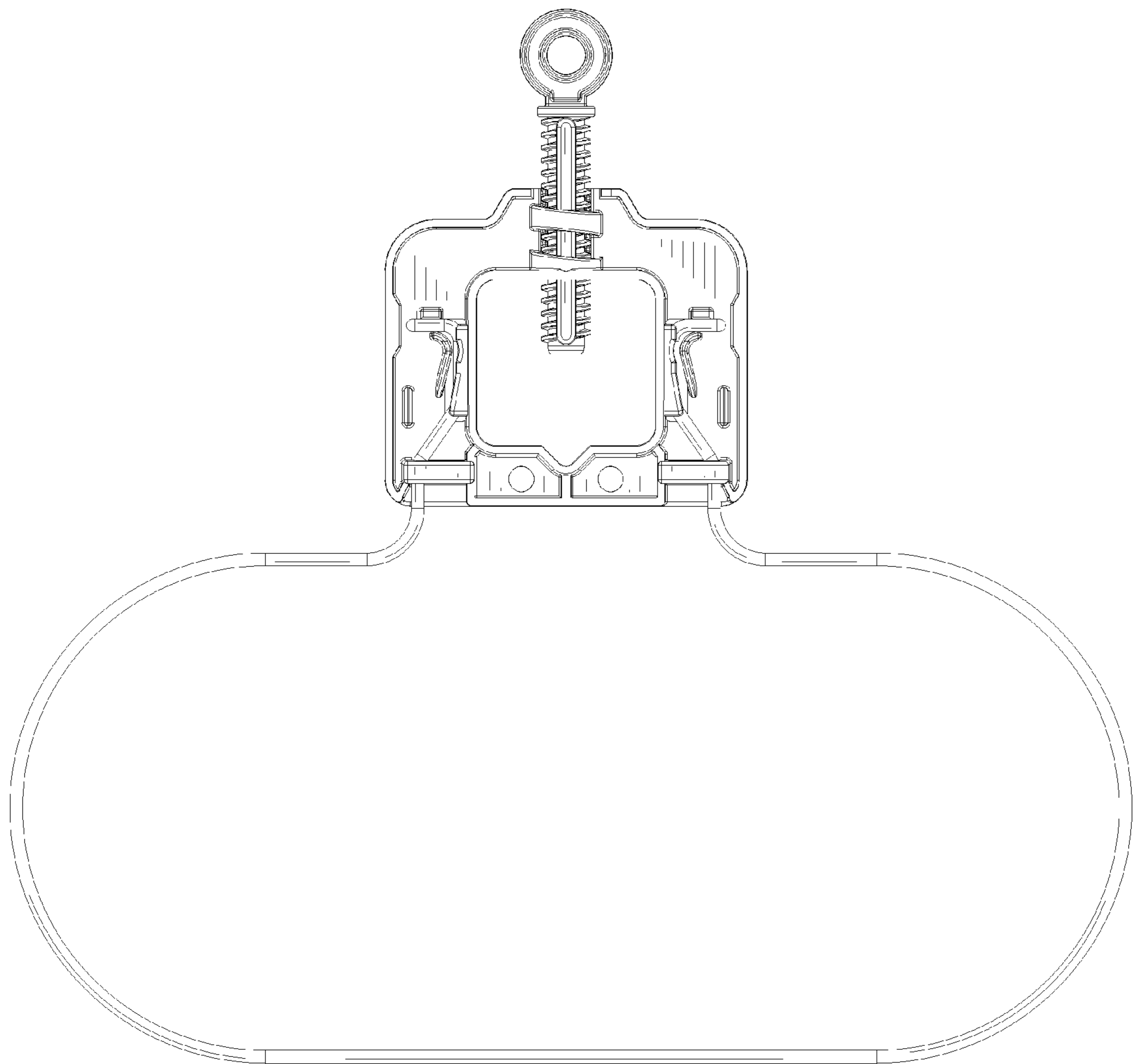


Fig. 3

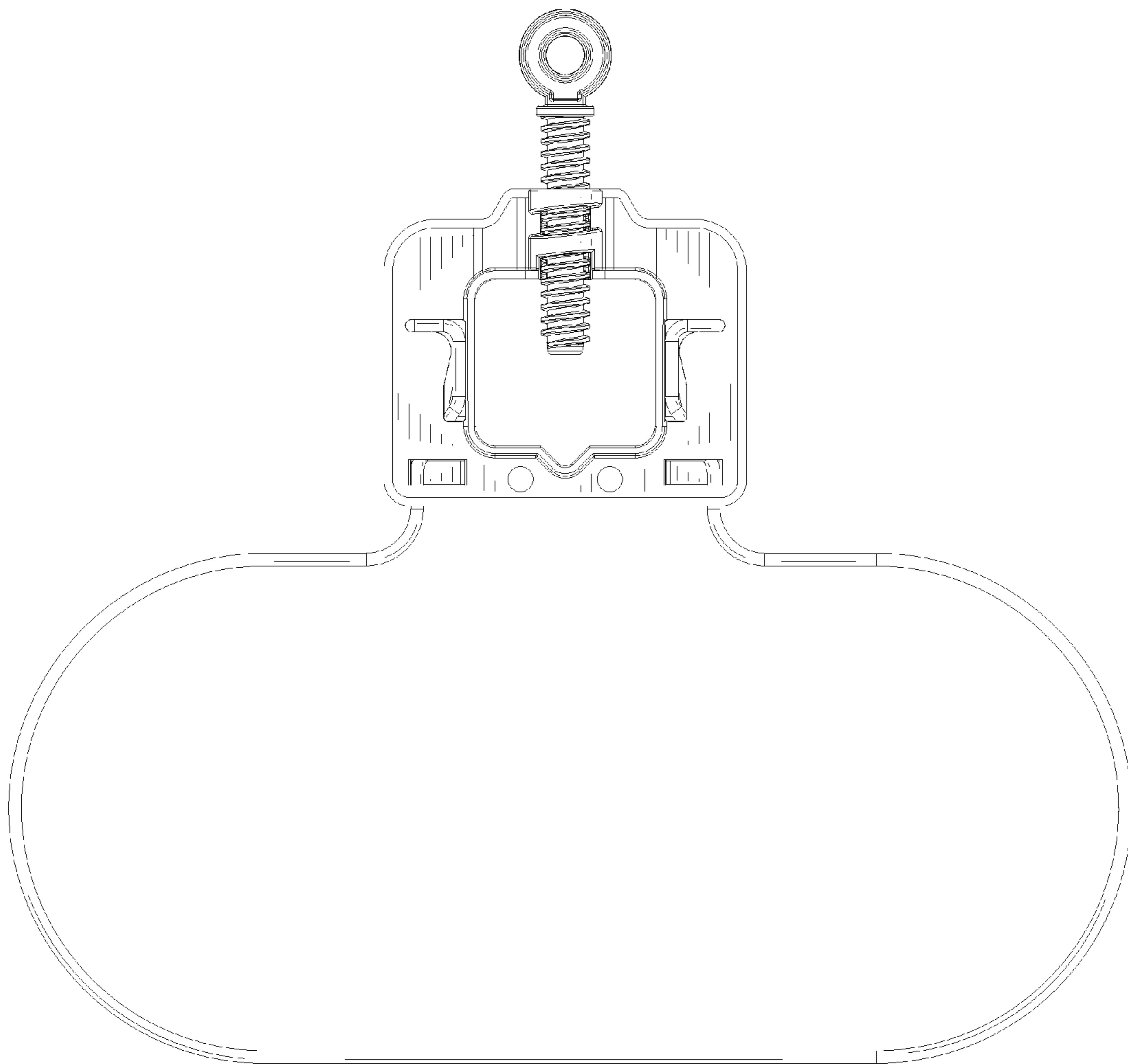


Fig. 4

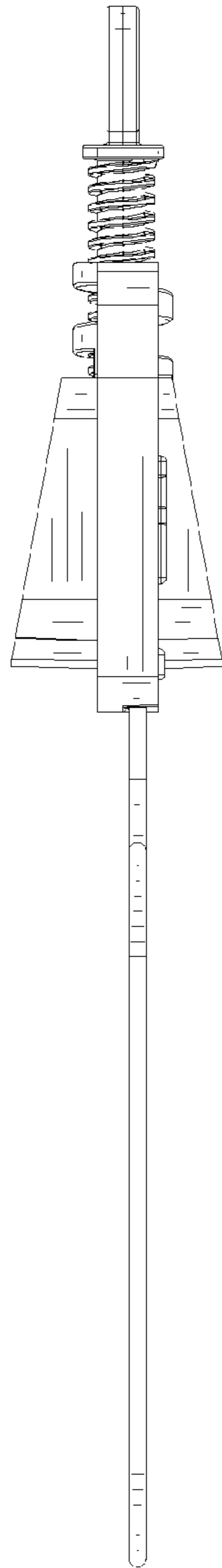


Fig. 5

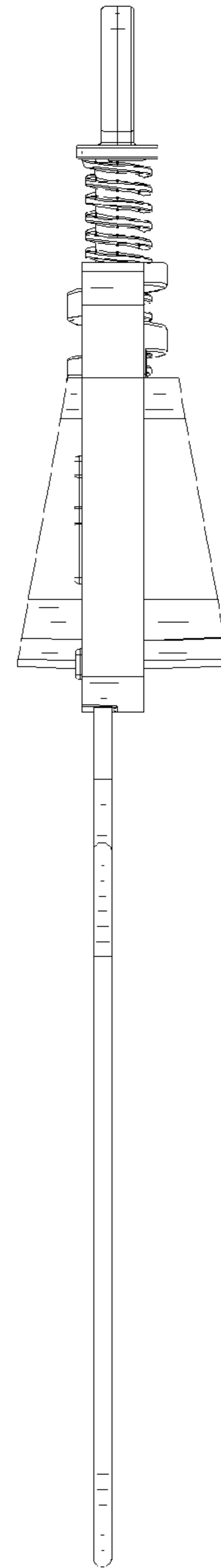


Fig. 6

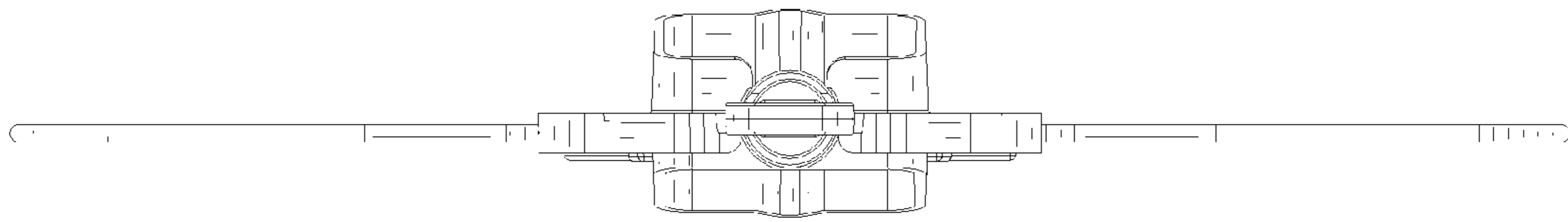


Fig. 7

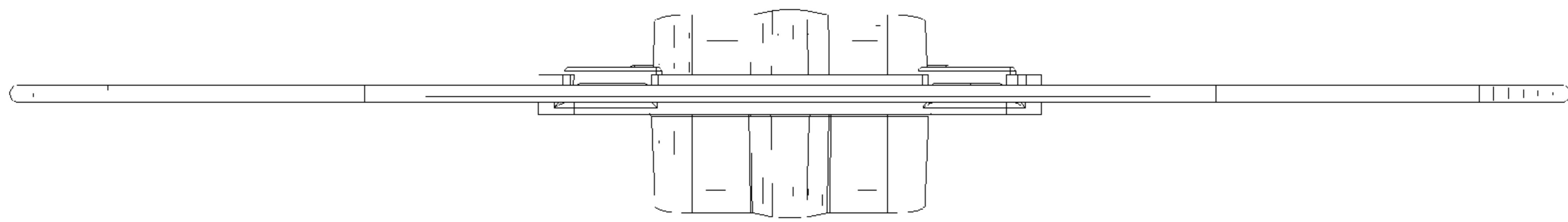


Fig. 8