



US00D627582S

(12) **United States Design Patent**  
**Kossowsky**

(10) **Patent No.:** **US D627,582 S**

(45) **Date of Patent:** **\*\* Nov. 23, 2010**

(54) **TRAY**

(76) **Inventor:** **Andrew Kossowsky**, 160 Locust La.,  
Irvington, NY (US) 10533

(\*\*) **Term:** **14 Years**

(21) **Appl. No.:** **29/354,309**

(22) **Filed:** **Jan. 22, 2010**

(51) **LOC (9) Cl.** ..... **08-08**

(52) **U.S. Cl.** ..... **D6/552**

(58) **Field of Classification Search** ..... D6/329,  
D6/396, 417, 552, 553, 567; D21/385, 662,  
D21/698; 211/13.1, 49.1, 60.1, 64, 70.5,  
211/86.01, 87.01, 88.01, 89.01, 181.1; 248/560,  
248/121, 175, 200, 302, 304, 309.1, 310,  
248/312

See application file for complete search history.

(56) **References Cited**

**U.S. PATENT DOCUMENTS**

D134,295 S \* 11/1942 Steward ..... D6/574  
D421,865 S \* 3/2000 Chen ..... D6/552  
D457,371 S \* 5/2002 Grassman ..... D6/552

**OTHER PUBLICATIONS**

Reliable Racing Supply Inc., Plastic Golf Ball Tray, 1 page, www.  
reliableracing.com dated Jan. 22, 2010.

\* cited by examiner

*Primary Examiner*—Brian N Vinson

(74) *Attorney, Agent, or Firm*—Lackenbach Siegel, LLP;  
Andrew F. Young

(57) **CLAIM**

The ornamental design for a tray, as shown and described.

**DESCRIPTION**

FIG. 1 is a top, front, and right side perspective view of a tray showing my new design;

FIG. 2 is a top plan view thereof;

FIG. 3 is a front elevational view thereof;

FIG. 4 is a right side elevational view thereof, the left side being a mirror image of that shown;

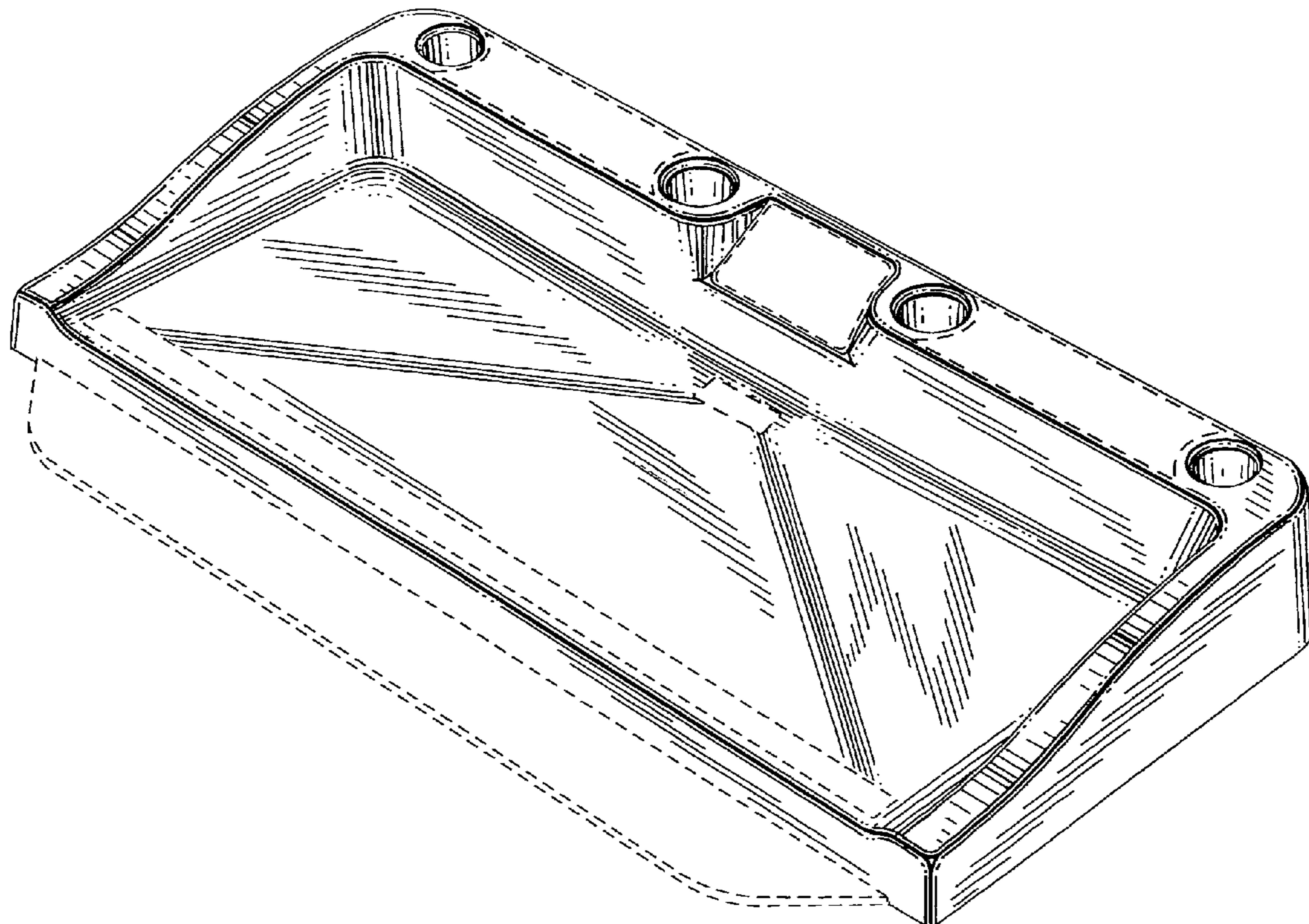
FIG. 5 is a rear elevational view thereof; and,

FIG. 6 is a bottom plan view thereof.

The broken-line disclosure in the views is understood to represent portions of the article in which the claimed design is embodied, but which form no part of the claimed design.

The present invention is a design for a golf tray.

**1 Claim, 4 Drawing Sheets**



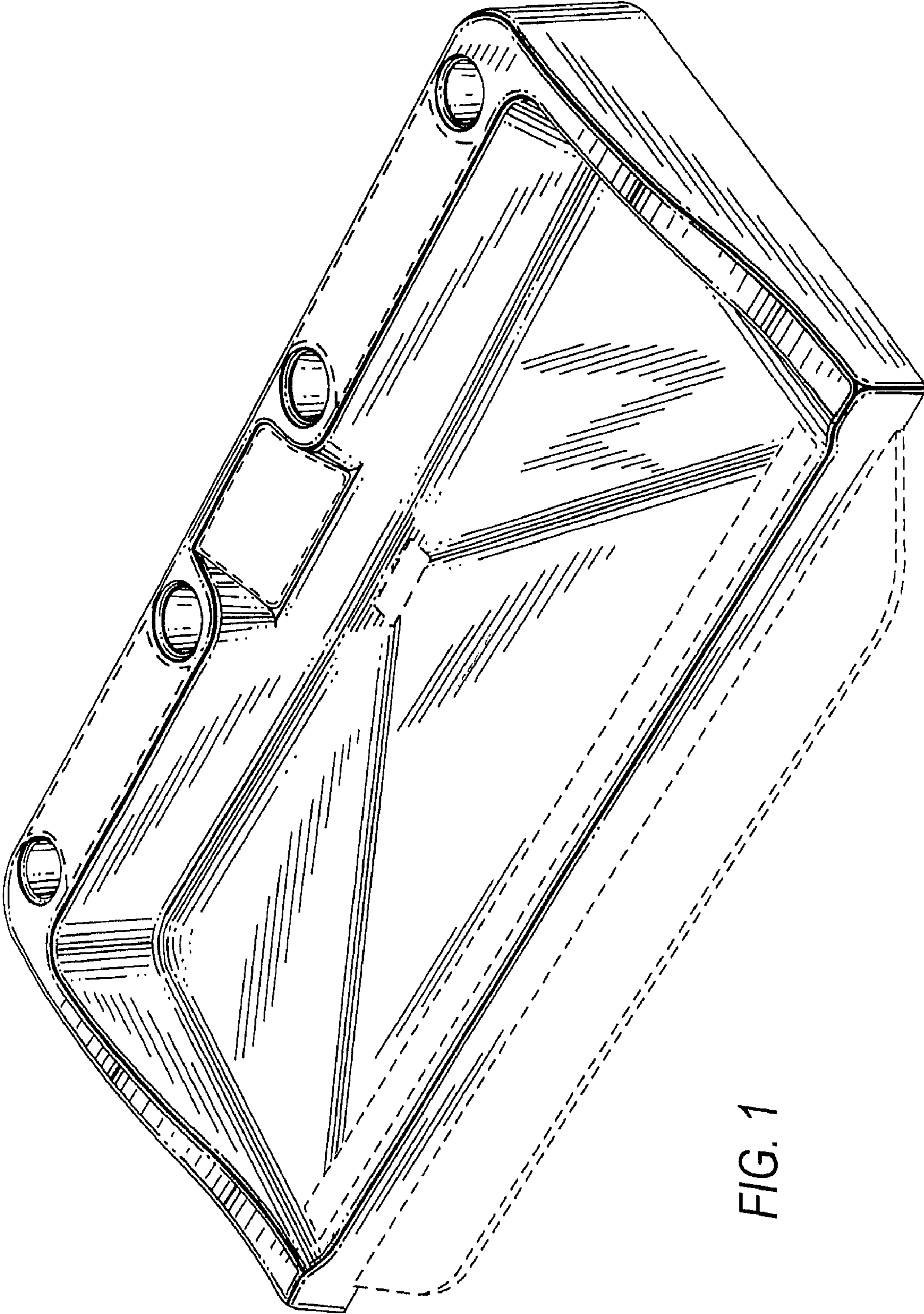


FIG. 1

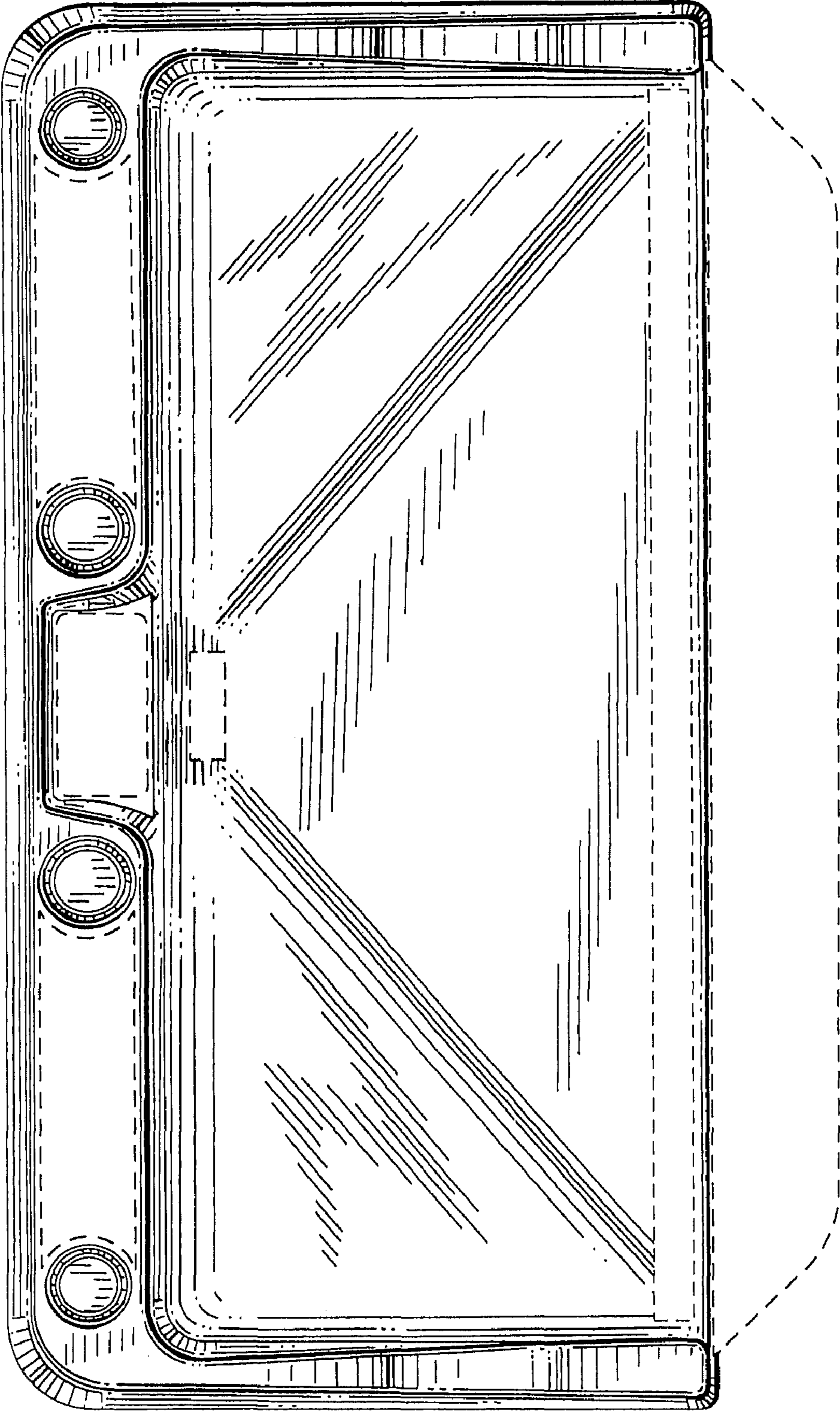


FIG. 2

FIG. 3

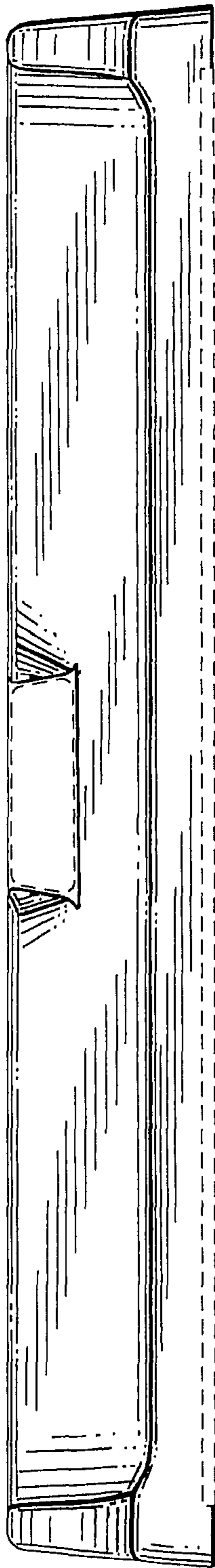


FIG. 4

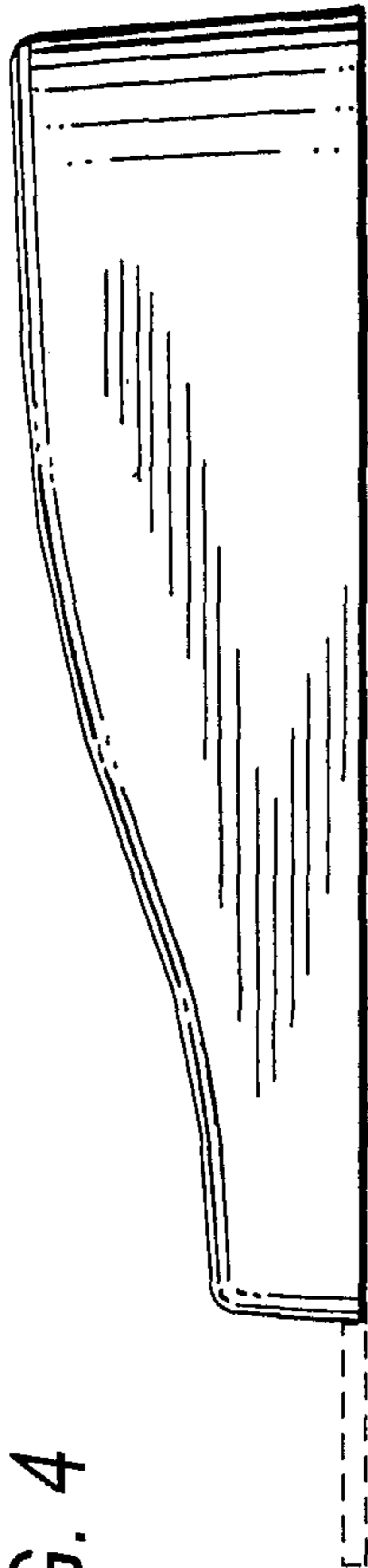
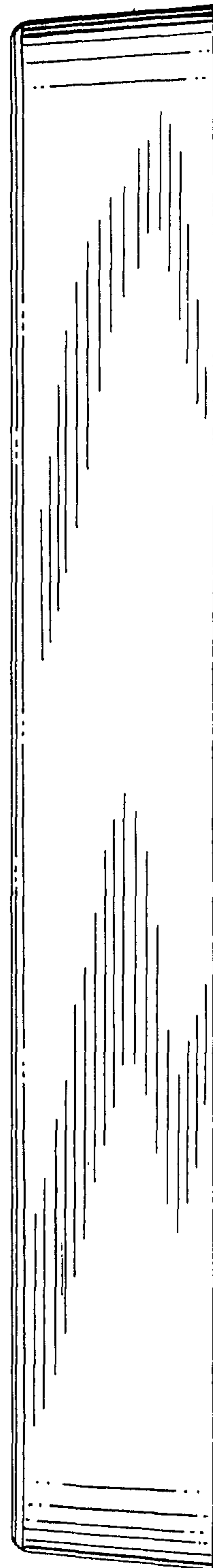


FIG. 5



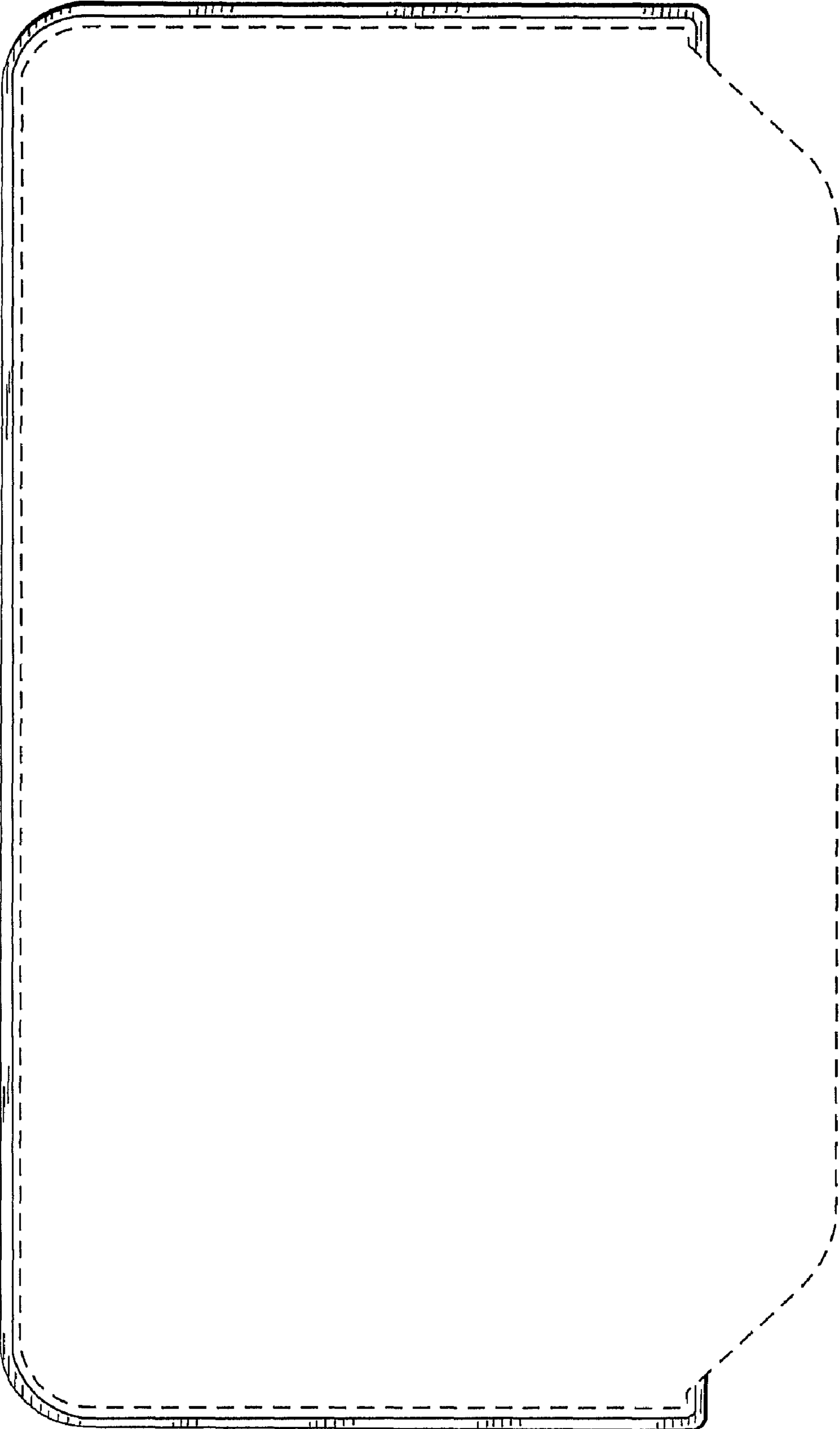


FIG. 6