



US00D627580S

(12) **United States Design Patent**
Weigand et al.

(10) **Patent No.:** **US D627,580 S**

(45) **Date of Patent:** **** Nov. 23, 2010**

(54) **FLEXIBLE FIXTURE FOR GREETING CARD
AND NON-GREETING CARD
MERCHANDISE**

(75) Inventors: **Christopher Weigand**, Sagamore Hills,
OH (US); **Gary Hodge**, Rutherfordton,
NC (US); **Emory Brozak, Jr.**,
Strongsville, OH (US)

(73) Assignee: **American Greetings Corporation**,
Cleveland, OH (US)

(**) Term: **14 Years**

(21) Appl. No.: **29/339,337**

(22) Filed: **Jun. 29, 2009**

(51) **LOC (9) Cl.** **06-04**

(52) **U.S. Cl.** **D6/468**

(58) **Field of Classification Search** D6/396,
D6/399, 449, 450, 429, 466-469, 473, 476,
D6/481, 630, 470; 40/124, 124.1, 124.4;
211/134, 135, 94.01, 85.16, 85.27, 189, 55;
D25/16; 312/258, 140.3; D34/21
See application file for complete search history.

(56) **References Cited**

U.S. PATENT DOCUMENTS

3,179,479	A *	4/1965	Freedman	312/140.3
3,519,320	A *	7/1970	Freedman	312/258
3,777,897	A *	12/1973	Gray	211/55
3,821,538	A	6/1974	Jonathan et al.		
3,838,266	A	9/1974	Jonathan		
3,886,348	A	5/1975	Jonathan et al.		
D249,433	S *	9/1978	Carlsen	D6/470
D265,024	S	6/1982	Johnson		
D267,383	S	12/1982	Liptak et al.		
4,460,097	A *	7/1984	Darnell et al.	211/189
D276,777	S	12/1984	Evenson		
D282,225	S	1/1986	Sandy		

D282,989	S *	3/1986	Nelson	D6/474
D293,148	S *	12/1987	Wedel	D34/21
D347,755	S *	6/1994	Houston	D6/481
5,472,100	A	12/1995	Garrison et al.		
D370,140	S *	5/1996	Gaietto	D6/474
5,513,745	A	5/1996	Zoltan et al.		
D379,664	S *	6/1997	Horton	D25/16
D395,563	S *	6/1998	Hamilton, III	D6/474
6,112,912	A *	9/2000	Lord et al.	211/55
D436,266	S	1/2001	Buchanan et al.		
D445,913	S *	7/2001	Horton	D25/16
D450,485	S	11/2001	Buchanan et al.		
6,467,637	B2 *	10/2002	Riga	211/94.01
D468,560	S *	1/2003	Riga	D6/477
6,942,108	B2	9/2005	Wons et al.		
D526,826	S *	8/2006	Franklin	D6/630
D532,218	S	11/2006	Caldwell et al.		

* cited by examiner

Primary Examiner—Philip S Hyder

Assistant Examiner—Sydney R Buffalow

(74) *Attorney, Agent, or Firm*—Roetzel & Andress

(57) **CLAIM**

The ornamental design for the flexible fixture for greeting cards and non-greeting card merchandise, as shown and described.

DESCRIPTION

FIG. 1 is a perspective view of the flexible fixture for greeting cards and non-greeting card merchandise.

FIG. 2 is an elevation front view of FIG. 1.

FIG. 3 is an elevation rear view of FIG. 1.

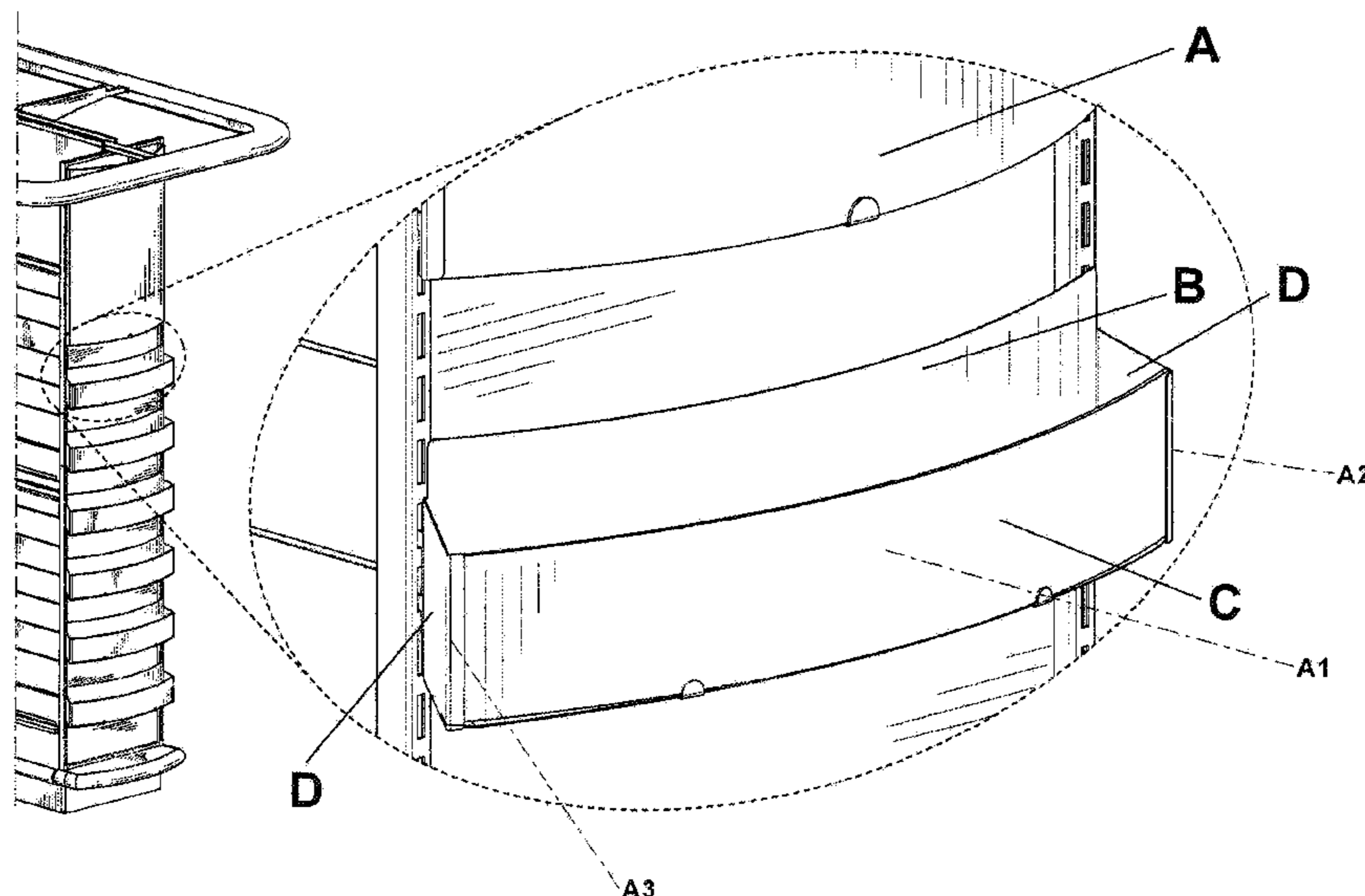
FIG. 4 is an elevation left side view of FIG. 1.

FIG. 5 is an elevation right side view of FIG. 1.

FIG. 6 is a top view of FIG. 1; and,

FIG. 7 is a bottom view of FIG. 1.

1 Claim, 6 Drawing Sheets



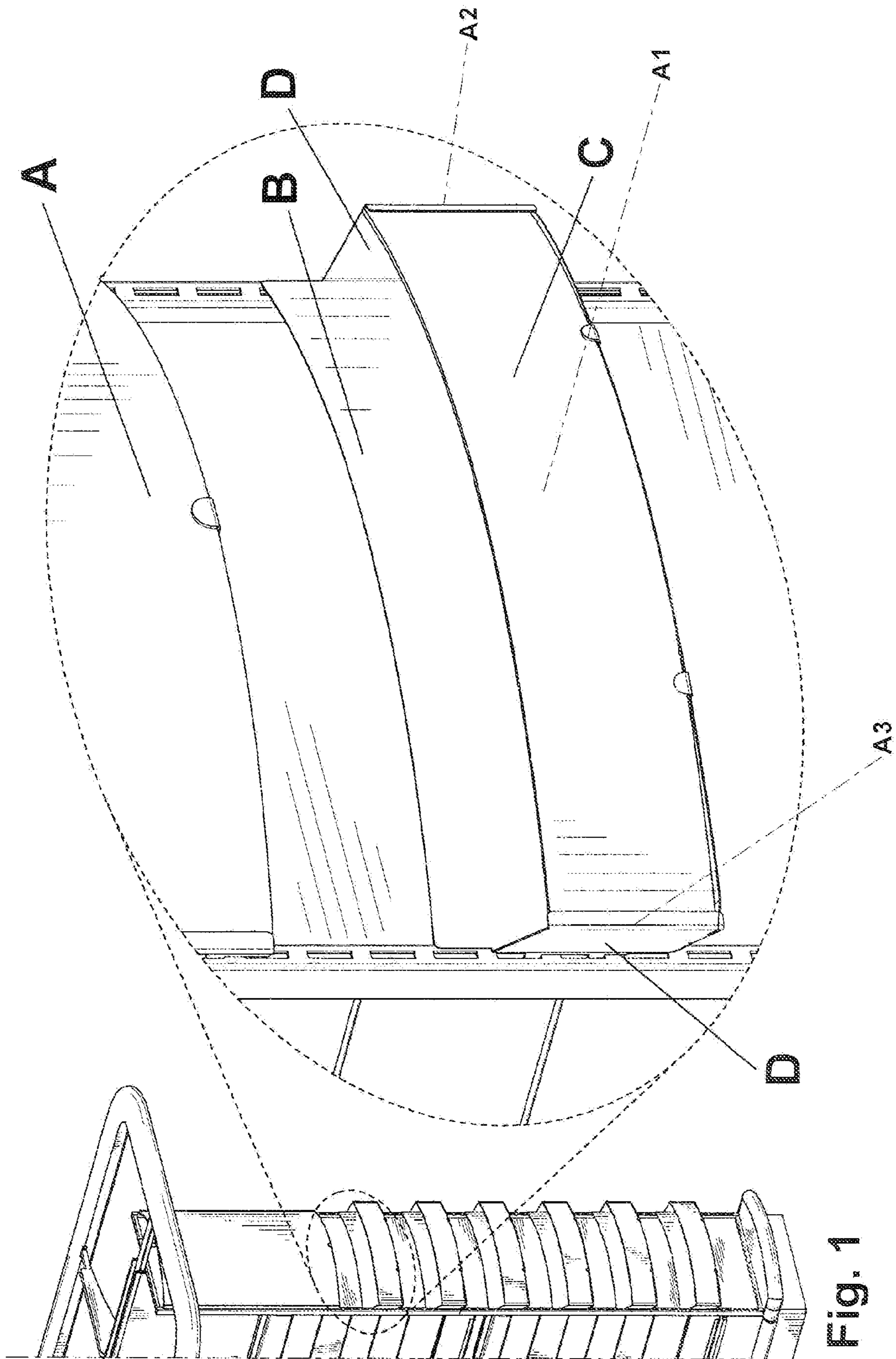


Fig. 1

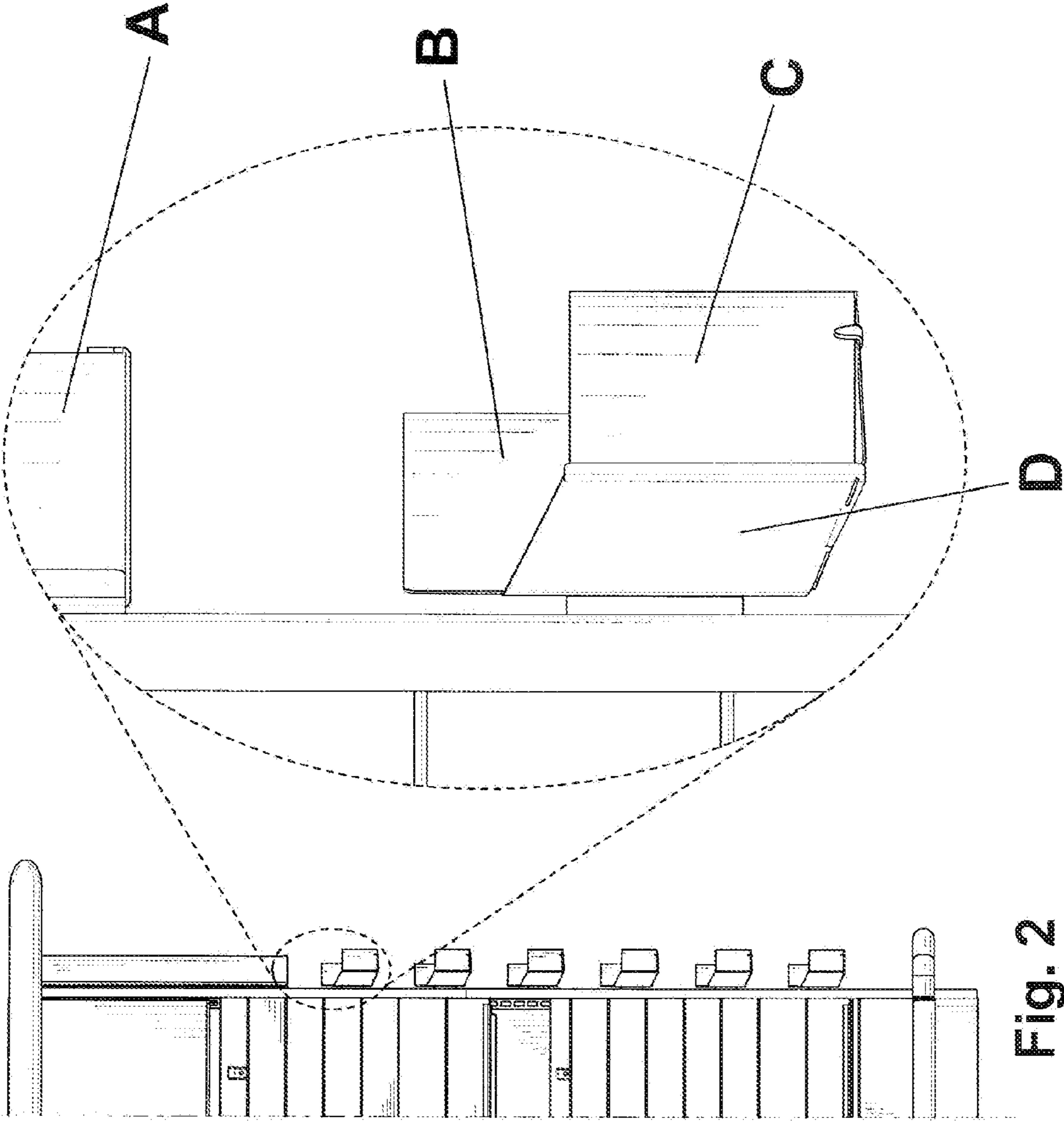


Fig. 2

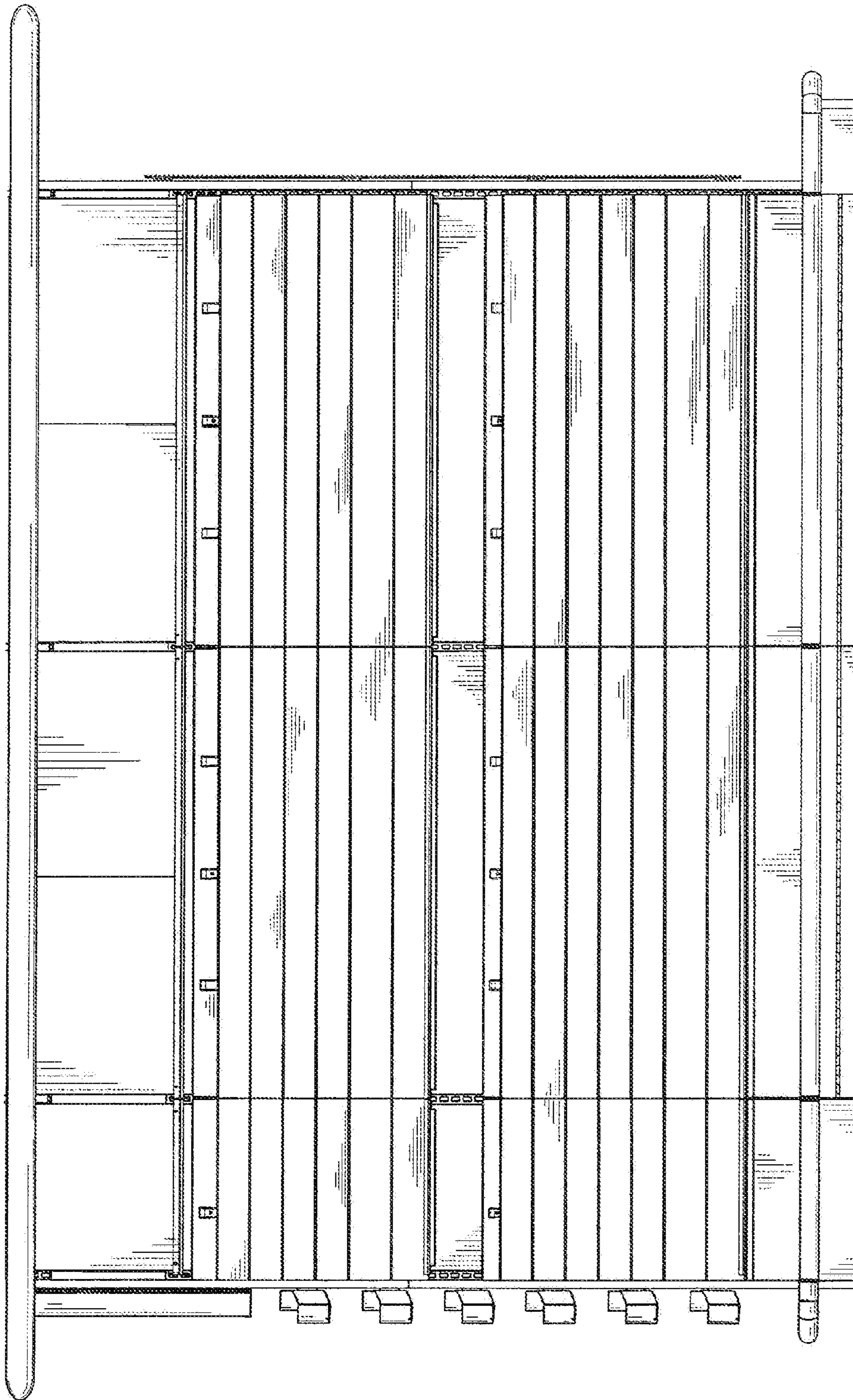


Fig. 3

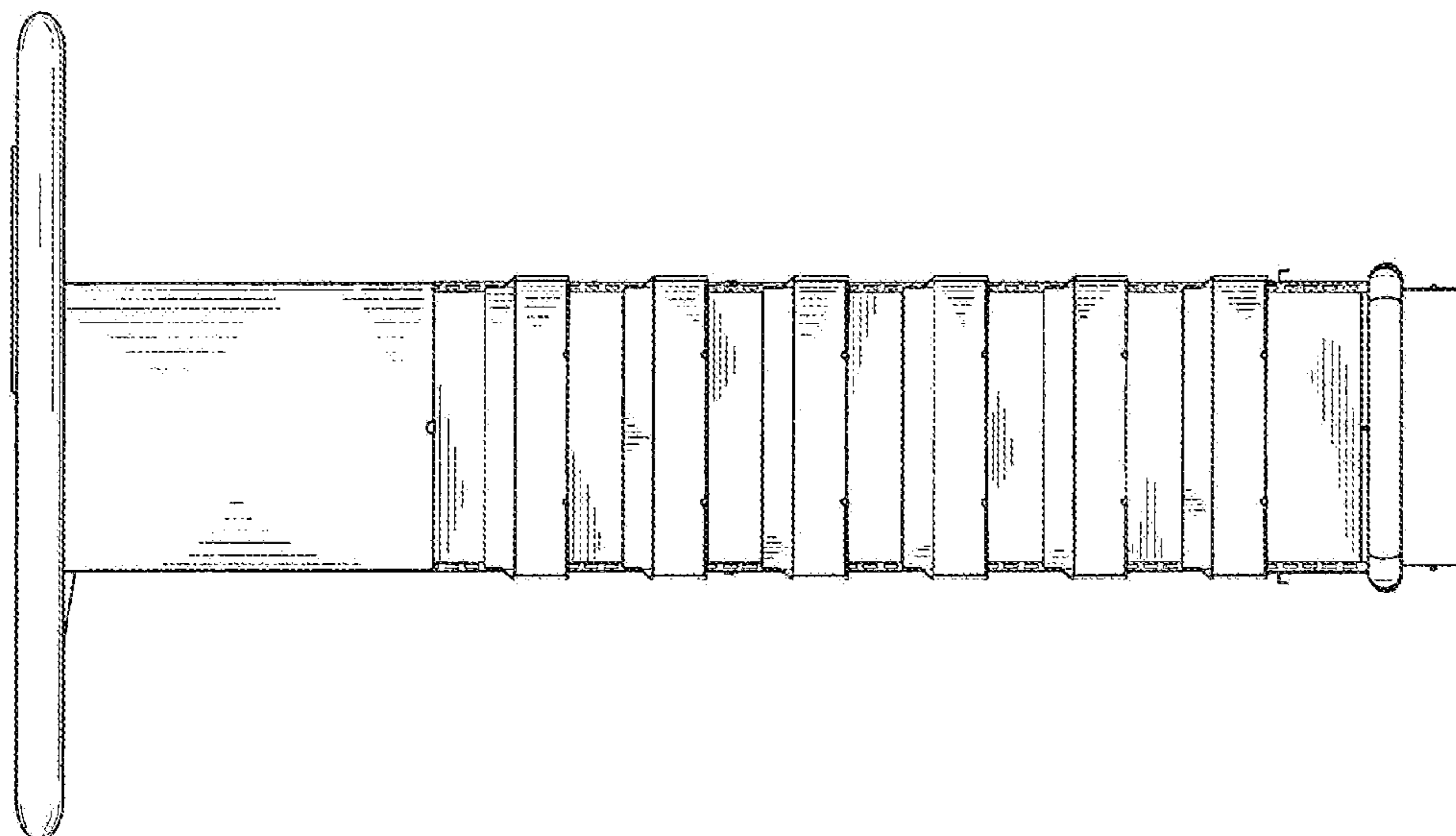


Fig. 5

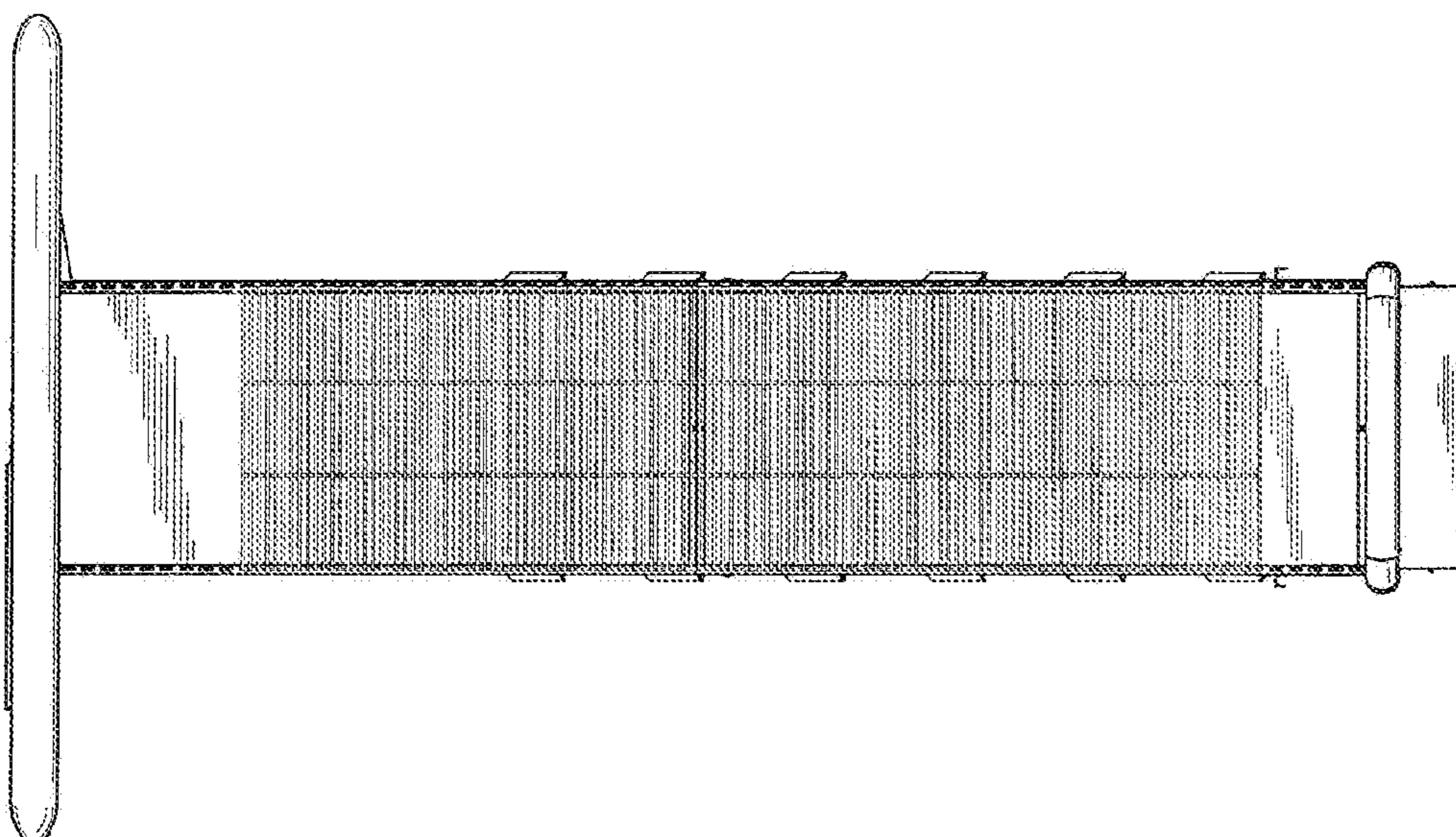


Fig. 4

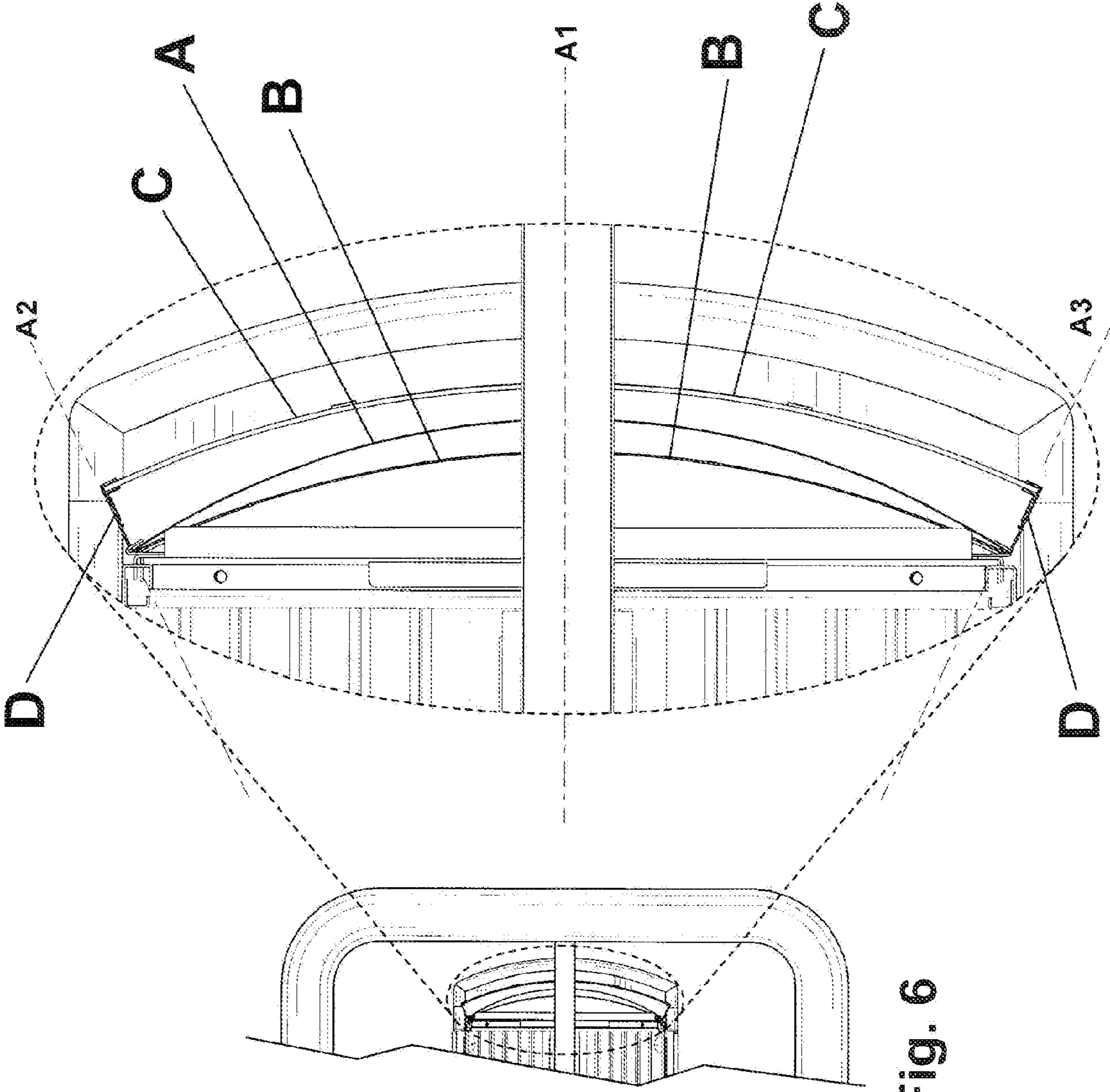


Fig. 6

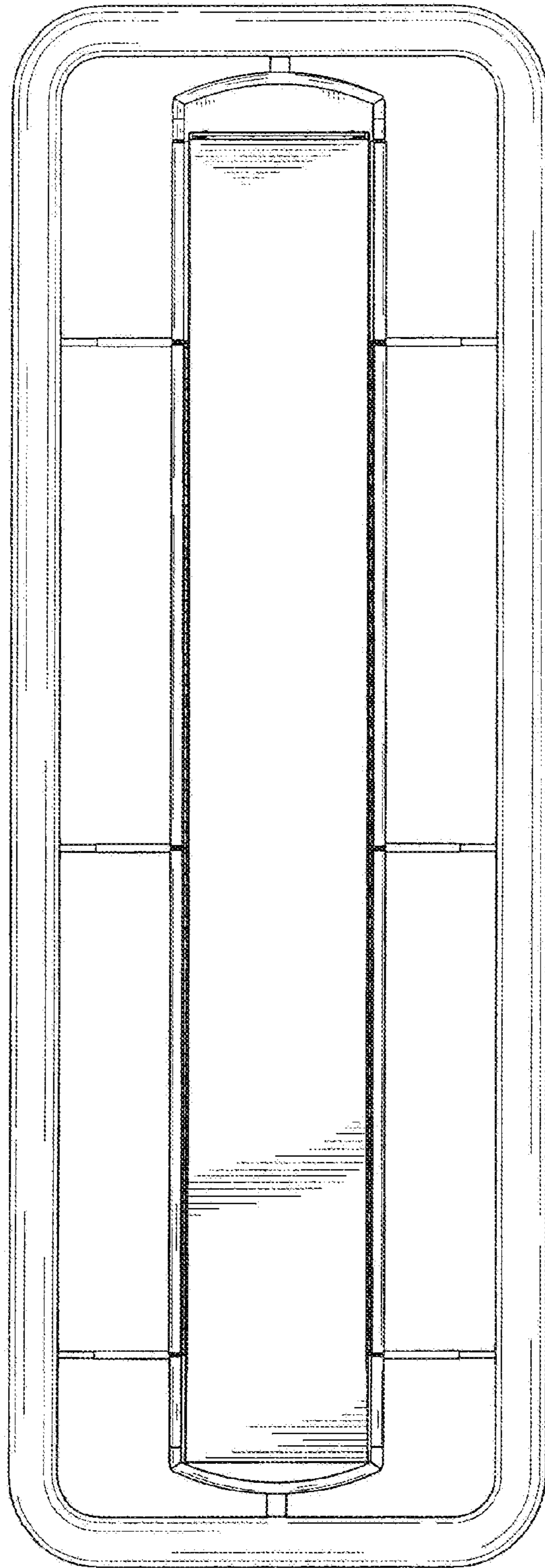


Fig. 7