



US00D627579S

(12) **United States Design Patent**
Gillespie

(10) **Patent No.:** **US D627,579 S**

(45) **Date of Patent:** **** Nov. 23, 2010**

(54) **DISPLAY UNIT**

(75) Inventor: **John Michael Gillespie**, Green Oaks, IL
(US)

(73) Assignee: **Peerless Industries, Inc.**, Aurora, IL
(US)

(**) Term: **14 Years**

(21) Appl. No.: **29/344,003**

(22) Filed: **Sep. 22, 2009**

(51) **LOC (9) Cl.** **06-04**

(52) **U.S. Cl.** **D6/462**

(58) **Field of Classification Search** D6/315,
D6/317, 323–324, 396–397, 409–418, 458,
D6/467, 474–476, 487–488, 499, 512, 537,
D6/552, 460, 461, 477, 468; 211/96–97,
211/101, 196, 205, 106, 41.4, 85.31, 85.26,
211/123–125, 181.1, 182, 189, 195, 42, 87.01,
211/88.02, 89.01, 90.02, 90.03, 94.02, 103,
211/190; 52/653.1, 653.2, 650.1; 312/7.2,
312/9.1, 114, 117–118, 237; D14/239, 129,
D14/126; 108/59, 91–92, 96
See application file for complete search history.

(56) **References Cited**

U.S. PATENT DOCUMENTS

D392,976 S	3/1998	Fenner et al.	
D472,556 S	4/2003	Scharer et al.	
6,905,101 B1	6/2005	Dittmer	
D558,562 S	1/2008	Ciungan et al.	
D562,113 S	2/2008	Ciungan et al.	
D563,700 S	3/2008	Walters et al.	
D567,546 S *	4/2008	Liu	D6/479
D568,321 S	5/2008	Gillespie et al.	
D568,322 S	5/2008	Gillespie et al.	
D568,323 S	5/2008	Gillespie et al.	
D570,620 S *	6/2008	Ongor	D6/479
D580,742 S	11/2008	Short	

D581,915 S	12/2008	Sculler et al.	
D581,916 S	12/2008	Sculler et al.	
D591,089 S *	4/2009	Sexton	D6/479
D592,432 S *	5/2009	Sexton	D6/510
D593,104 S	5/2009	Gillespie	
D598,219 S *	8/2009	Sparks, Jr.	D6/462
D605,429 S *	12/2009	Oner	D6/477
D607,671 S *	1/2010	Sexton	D6/479
D618,015 S *	6/2010	Sexton	D6/477
2004/0164212 A1	8/2004	Gillespie et al.	

* cited by examiner

Primary Examiner—Caron Veynar

Assistant Examiner—Abraham Bahta

(74) *Attorney, Agent, or Firm*—Foley & Lardner LLP

(57) **CLAIM**

I claim the ornamental design for a display unit, as shown and described.

DESCRIPTION

FIG. 1 is a perspective view of the display unit showing my new design;

FIG. 2 is a front elevational view thereof;

FIG. 3 is a right side elevational view thereof;

FIG. 4 is a left side elevational view thereof;

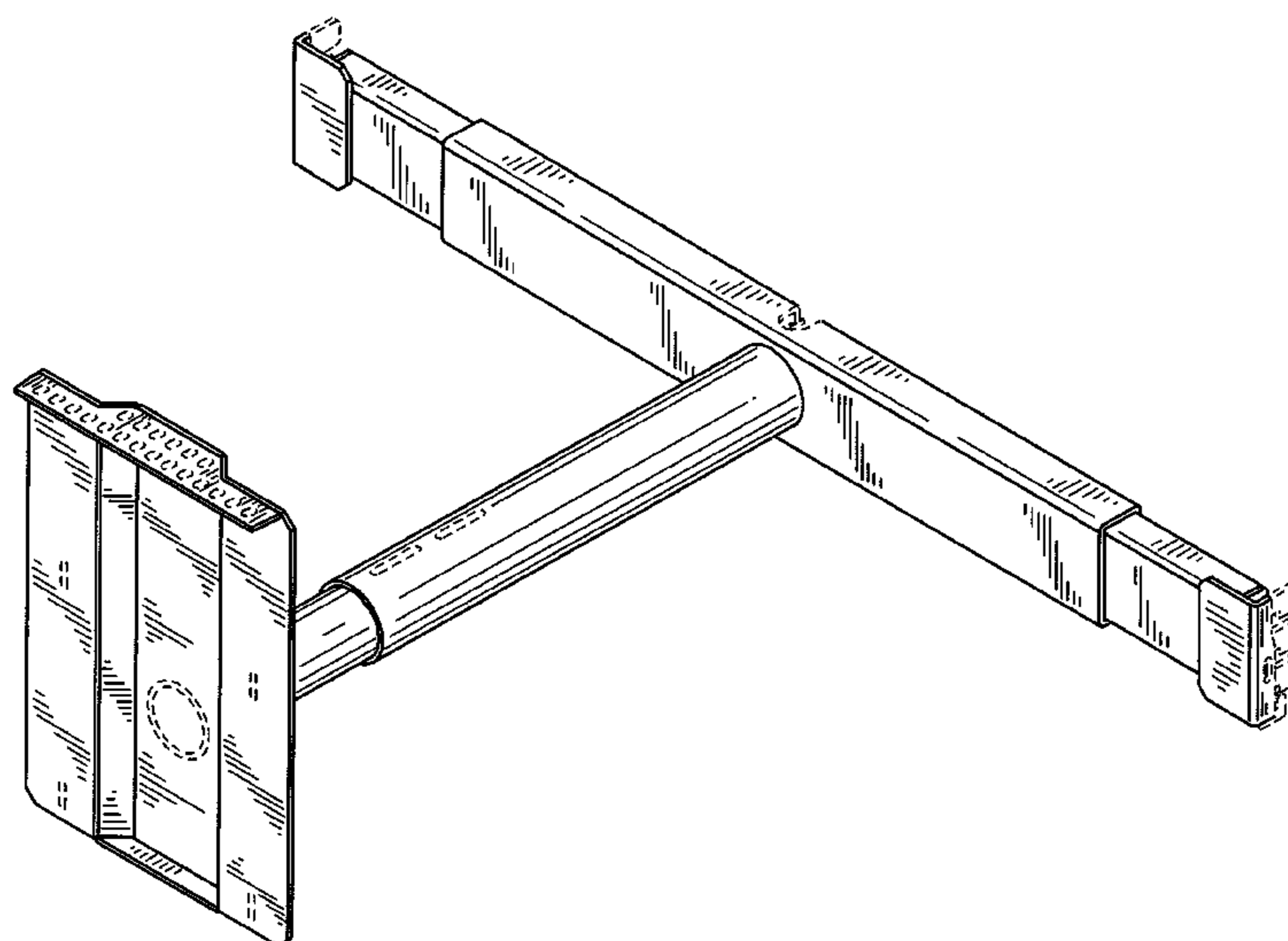
FIG. 5 is a top plan view thereof;

FIG. 6 is a bottom plan view thereof; and,

FIG. 7 is a rear elevational view thereof.

The ornamental design which is claimed is shown in solid lines in the drawings. The broken lines outlining the edges of the brackets on the left and right ends of the claimed design in FIGS. 1-7 represent the bounds of the claimed design. The broken lines outlining the cutout feature near the center of the claimed design in FIGS. 1, 5 and 7 also represent the bounds of the claimed design. All other broken lines are for illustrative purposes only and form no part of the claimed design.

1 Claim, 7 Drawing Sheets



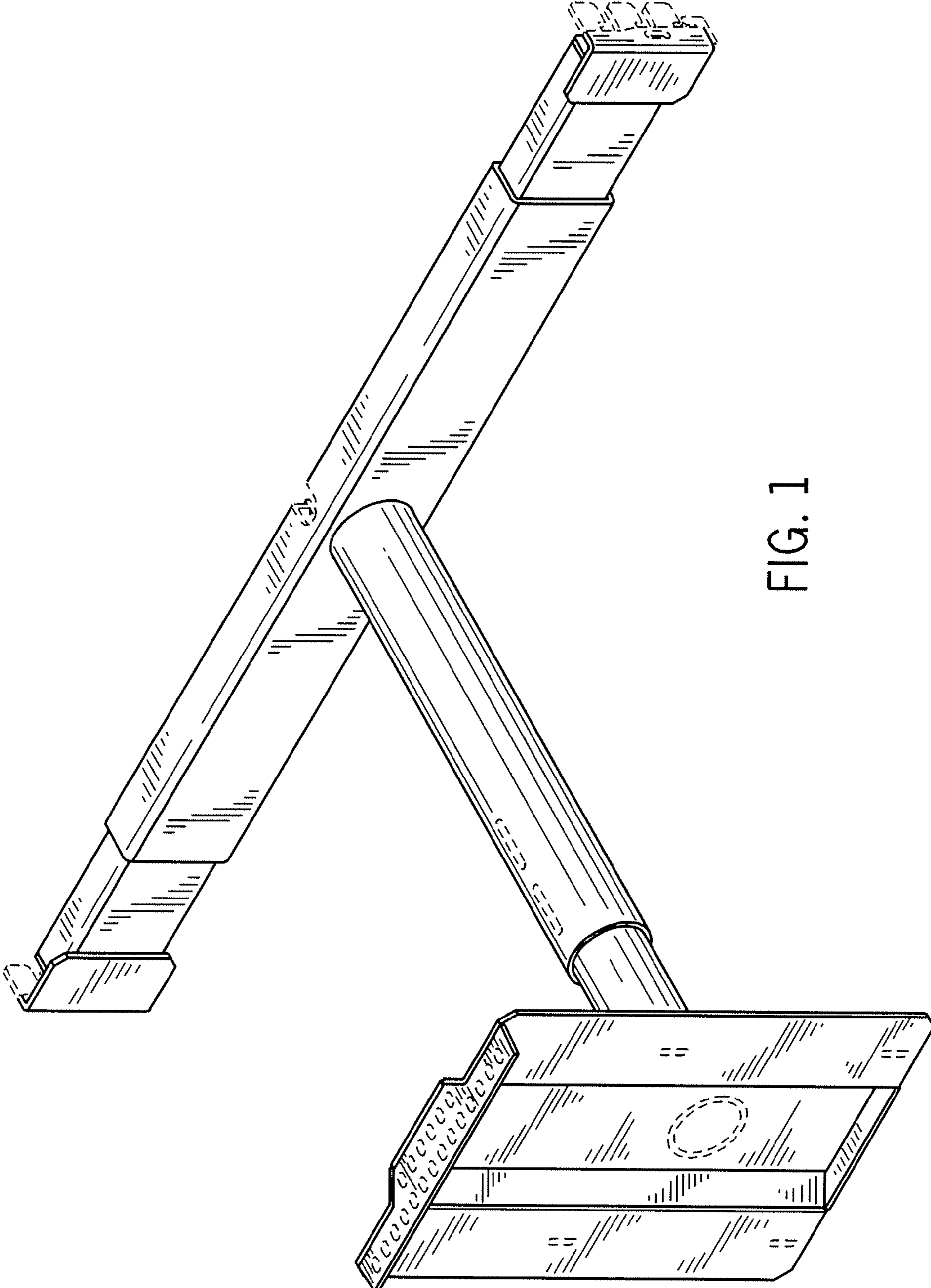


FIG. 1

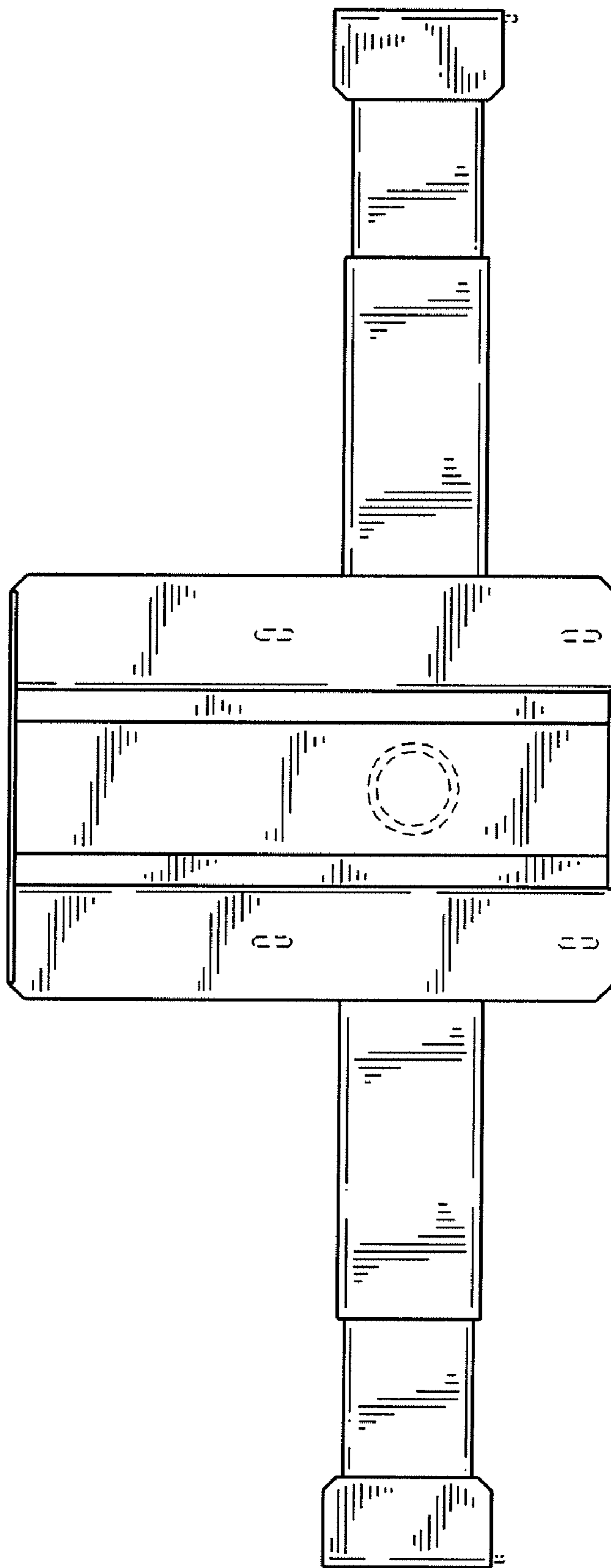


FIG. 2

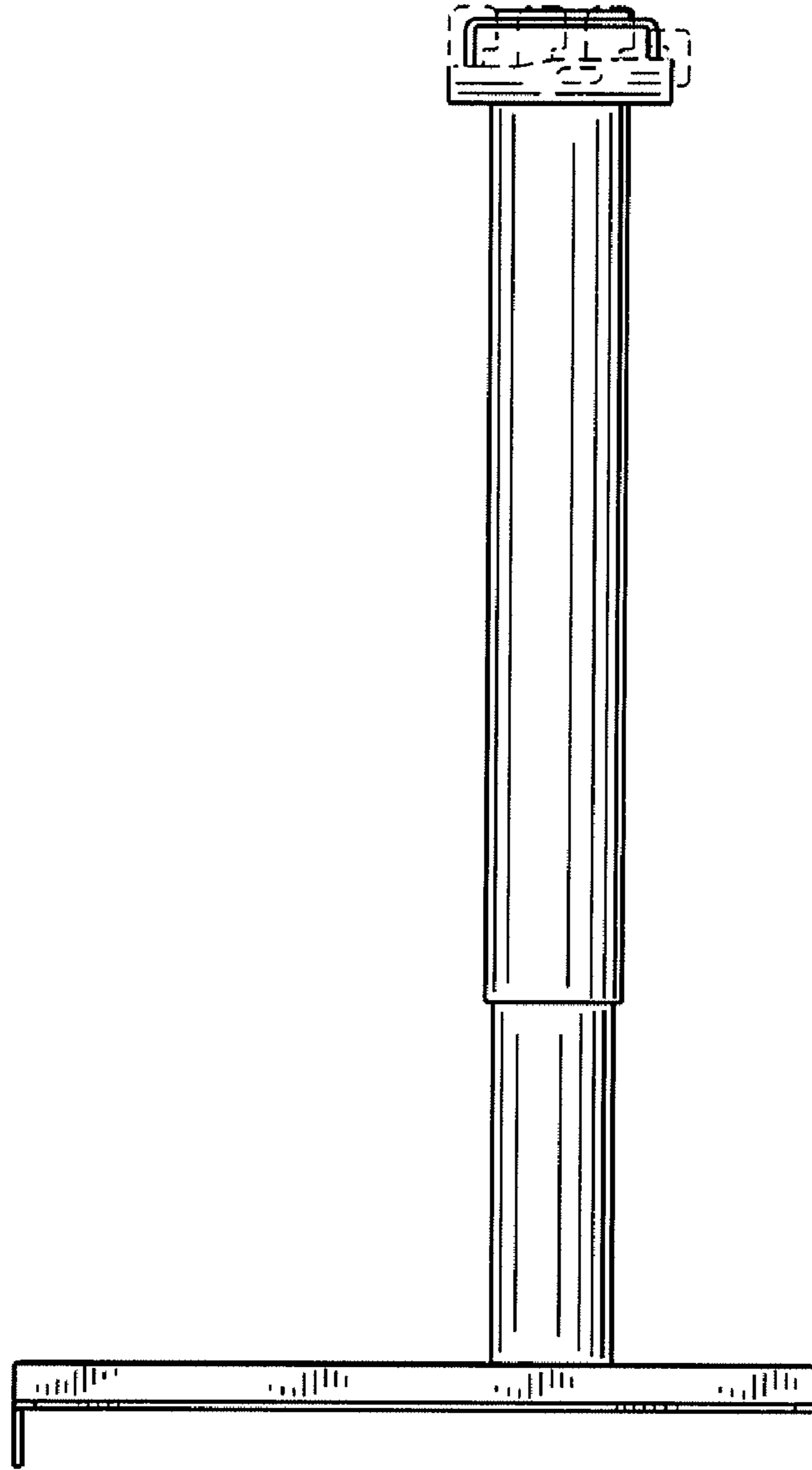


FIG. 3

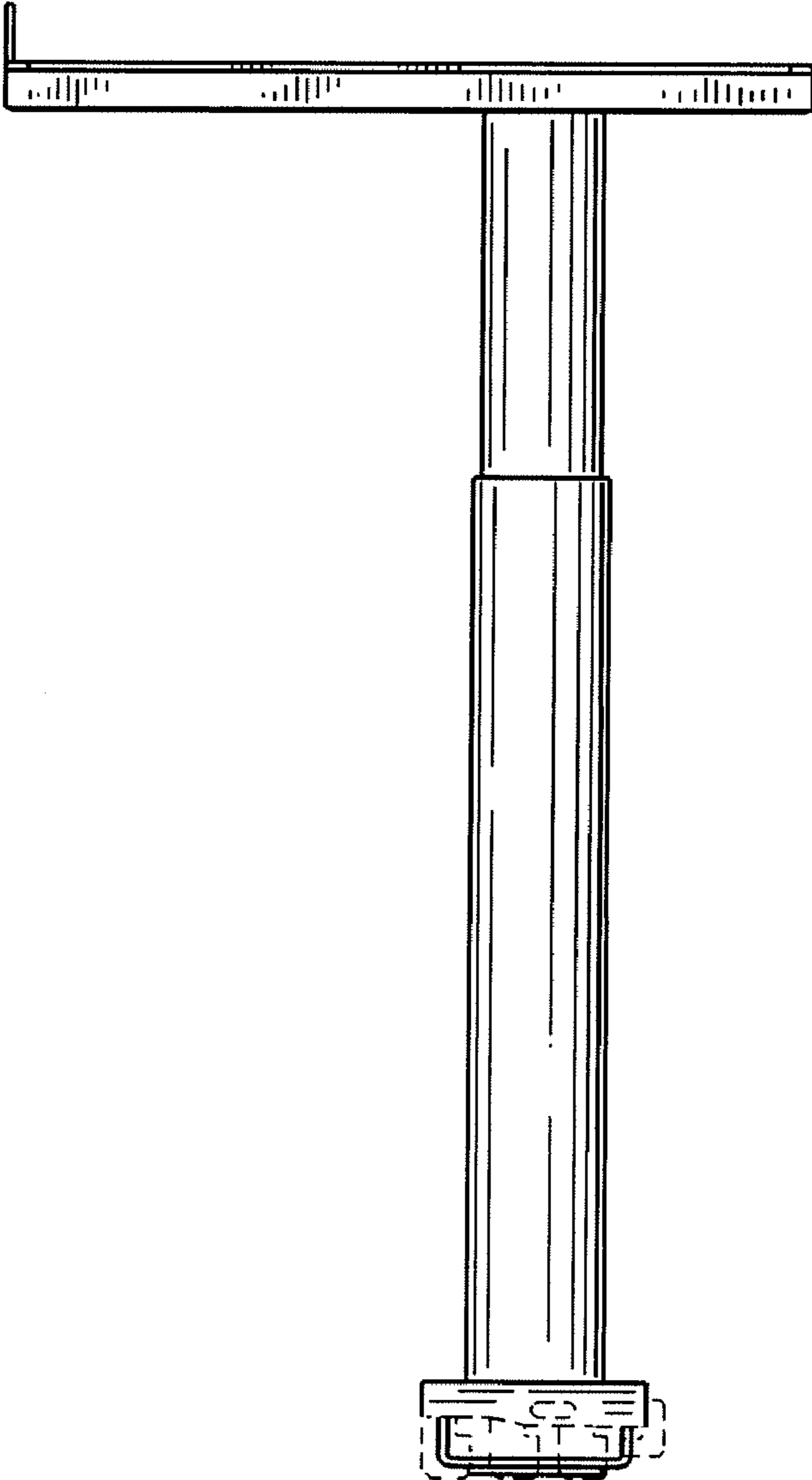


FIG. 4

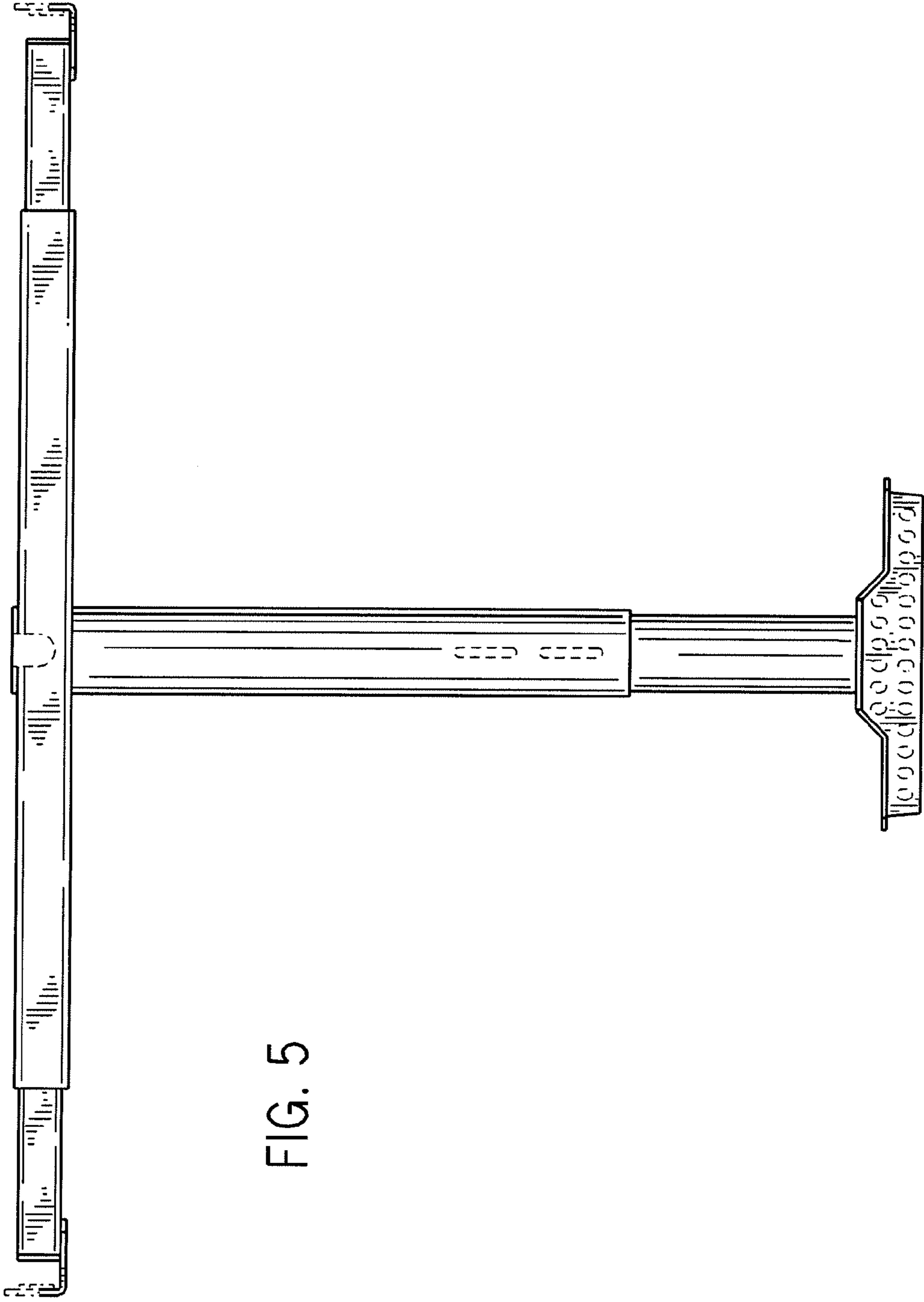


FIG. 5

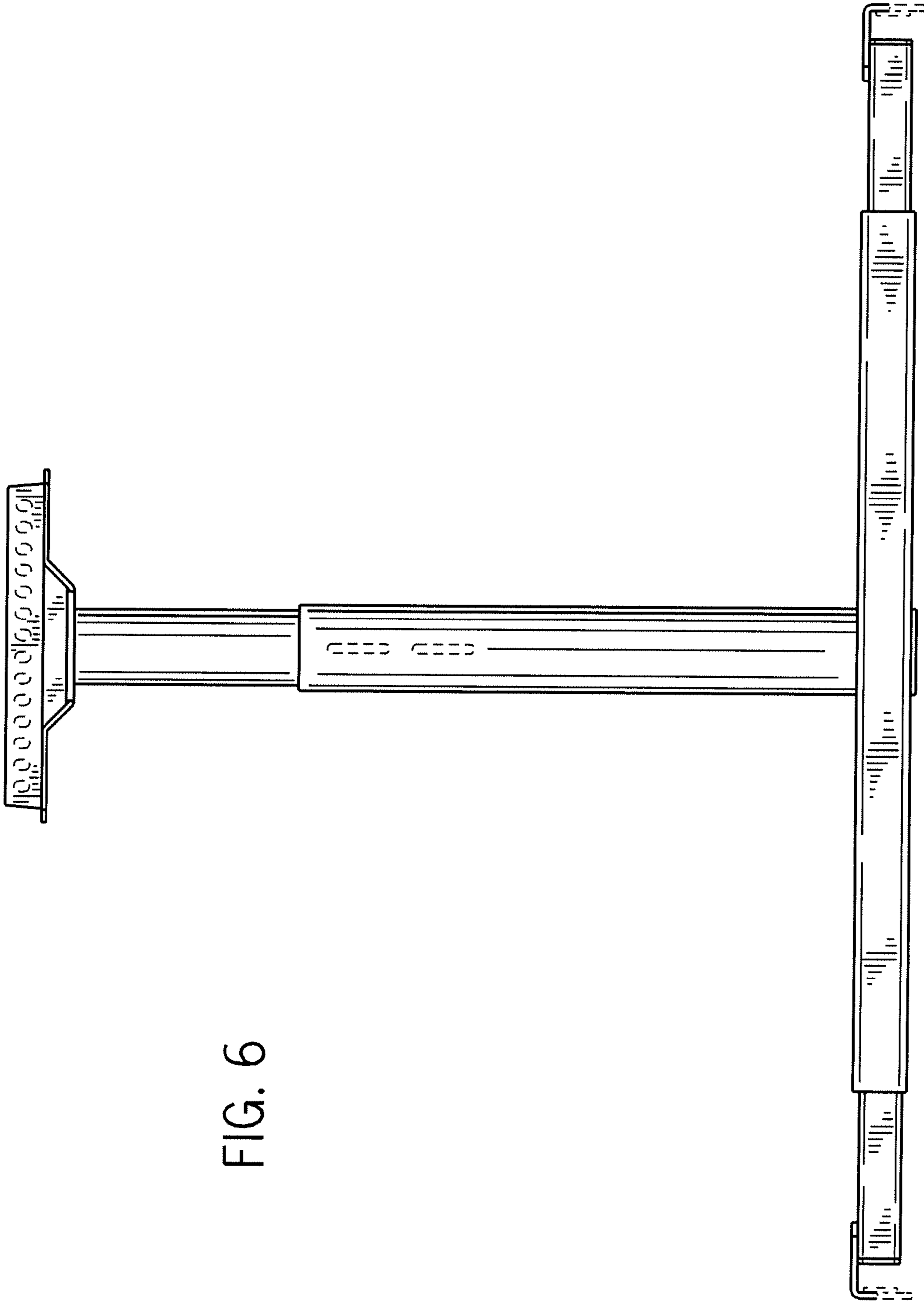


FIG. 6

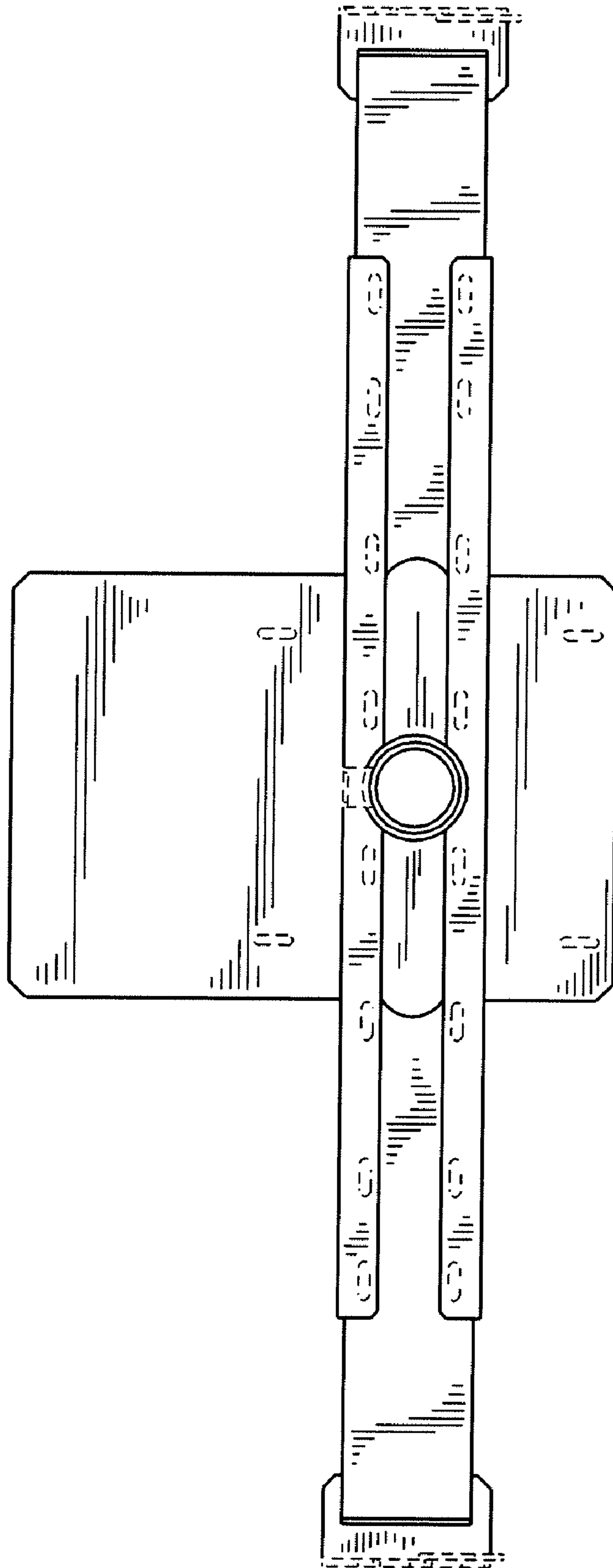


FIG. 7