



US00D627574S

(12) **United States Design Patent**
Joly

(10) **Patent No.:** **US D627,574 S**

(45) **Date of Patent:** **** Nov. 23, 2010**

(54) **SEAT**

D566,406 S * 4/2008 Lozano et al. D6/334
D613,956 S * 4/2010 Jehs et al. D6/375

(75) Inventor: **Sylvain Joly**, Marolles en Brie (FR)

* cited by examiner

(73) Assignee: **Chateau d’Ax S.p.A.** (IT)

Primary Examiner—Mimosa De

(**) Term: **14 Years**

(74) *Attorney, Agent, or Firm*—Curtis, Mallet-Prevost Colt & Mosle LLP

(21) Appl. No.: **29/341,044**

(57) **CLAIM**

(22) Filed: **Jul. 29, 2009**

The ornamental design for the seat, as shown and described.

(51) **LOC (9) Cl.** **06-01**

(52) **U.S. Cl.** **D6/375**

(58) **Field of Classification Search** D6/334–336,
D6/344, 348, 361, 364, 371, 373, 374, 375,
D6/377, 381, 500–502; 297/232, 233, 445.1,
297/446.1, 448.2, 452.12, 452.17, 452.19
See application file for complete search history.

DESCRIPTION

FIG. 1 is a perspective of the new ornamental seat of the present invention.

FIG. 2 is a front perspective thereof.

FIG. 3 is a rear view thereof

FIG. 4 is a right side perspective thereof.

FIG. 5 is a left side perspective thereof

FIG. 6 is a bottom view thereof; and,

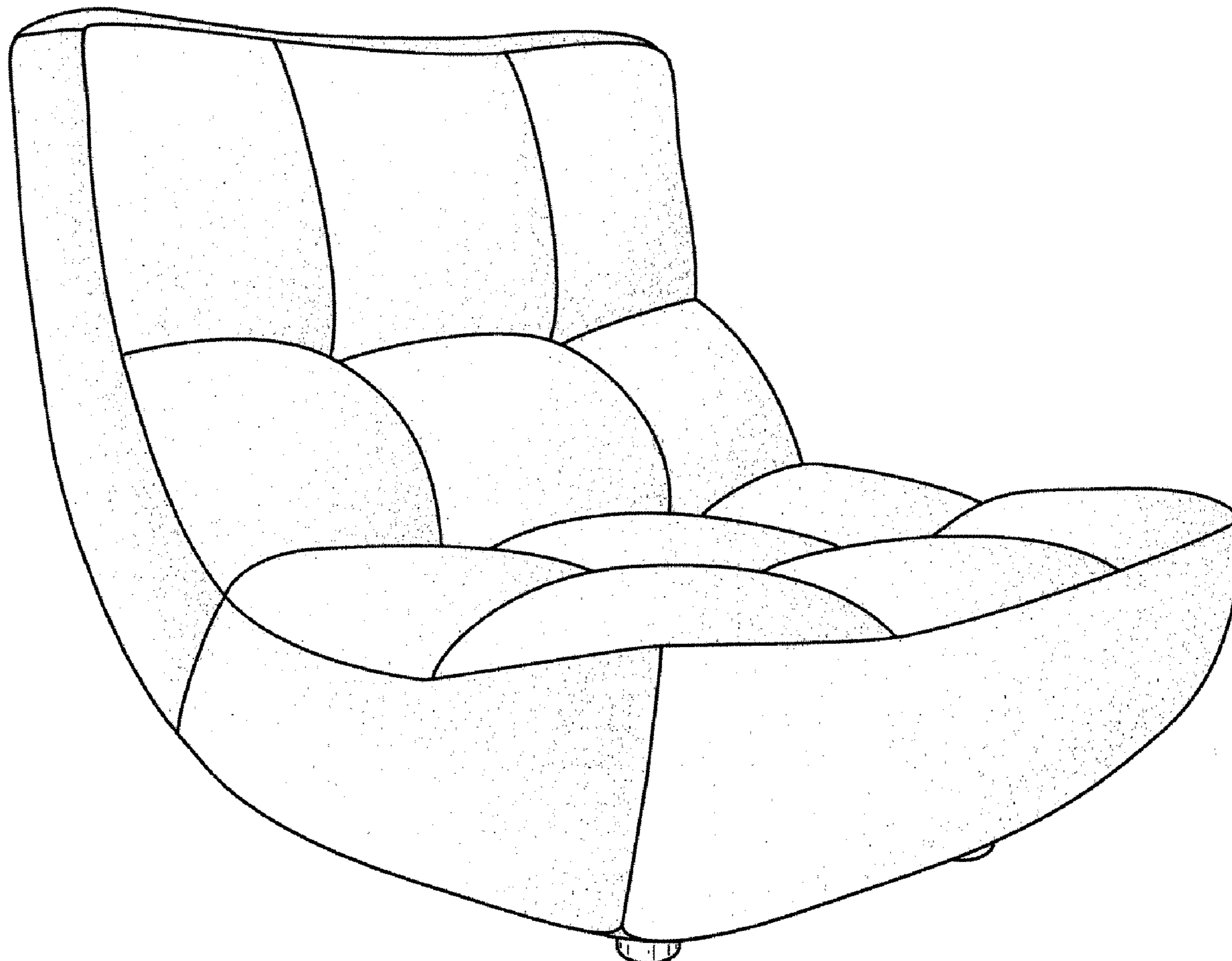
FIG. 7 is a bottom view thereof.

(56) **References Cited**

U.S. PATENT DOCUMENTS

D462,537 S * 9/2002 Werner D6/375
D508,618 S * 8/2005 Mourgue D6/375
D548,986 S * 8/2007 McCoy et al. D6/344

1 Claim, 7 Drawing Sheets



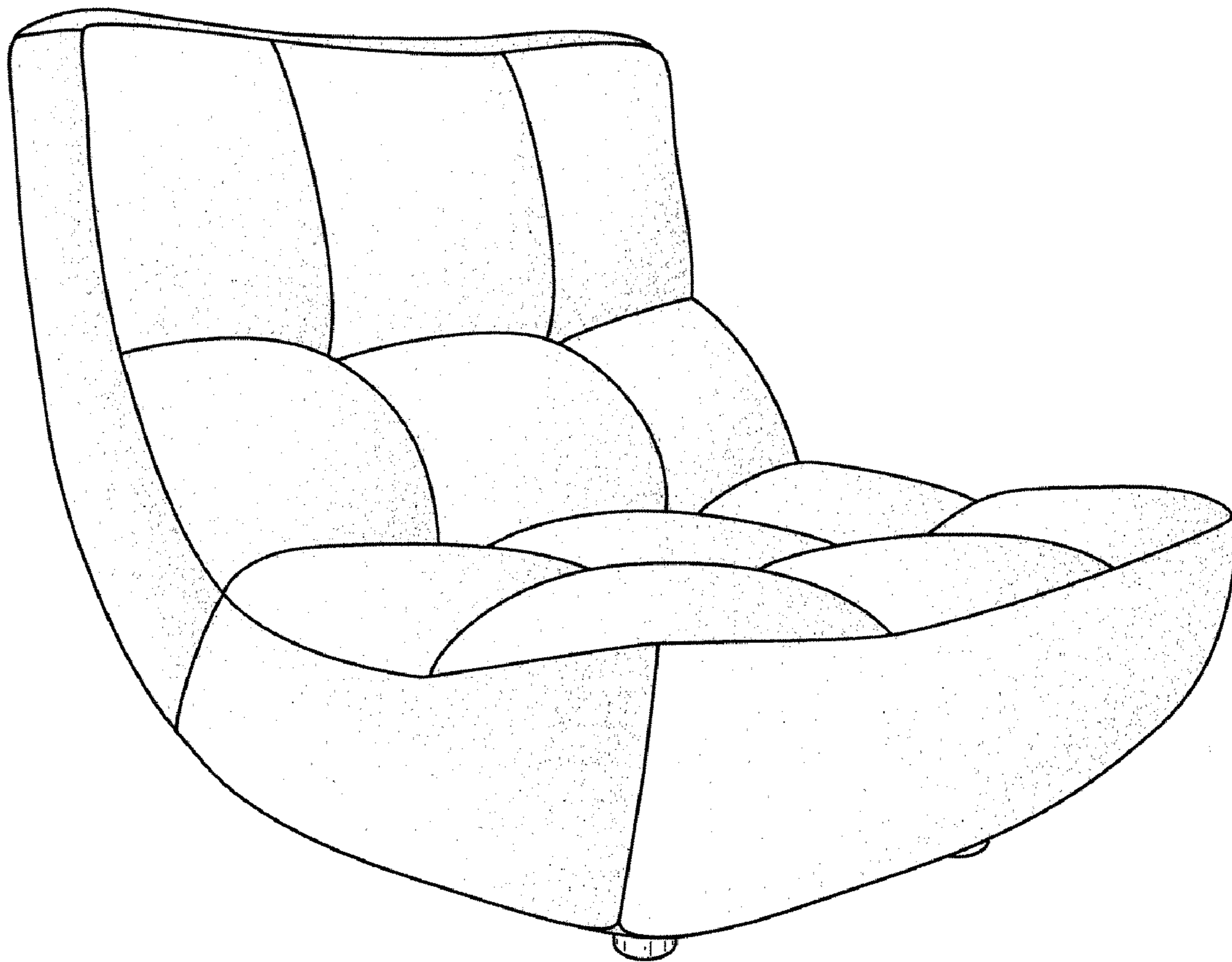


FIG. 1

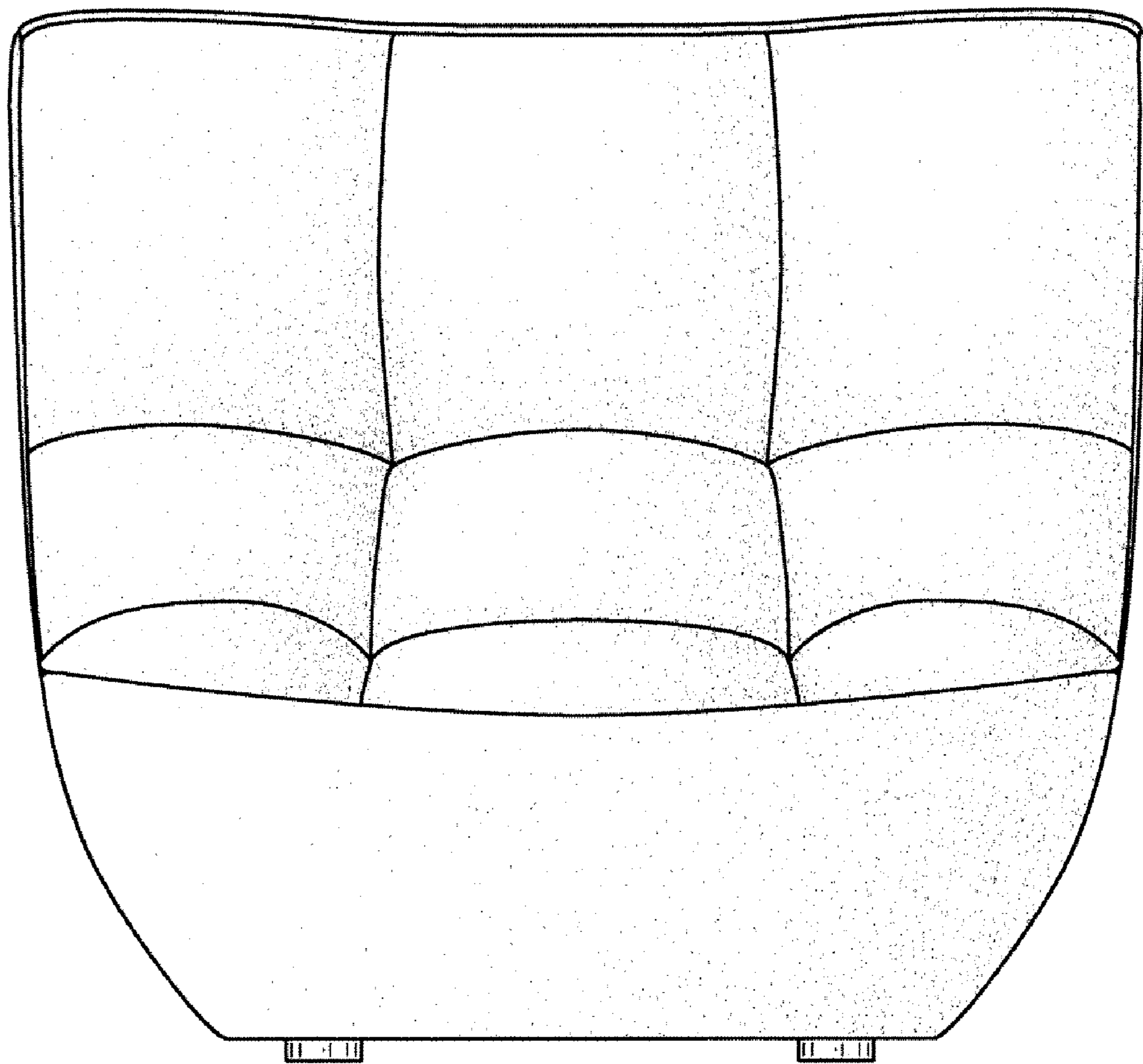


FIG. 2

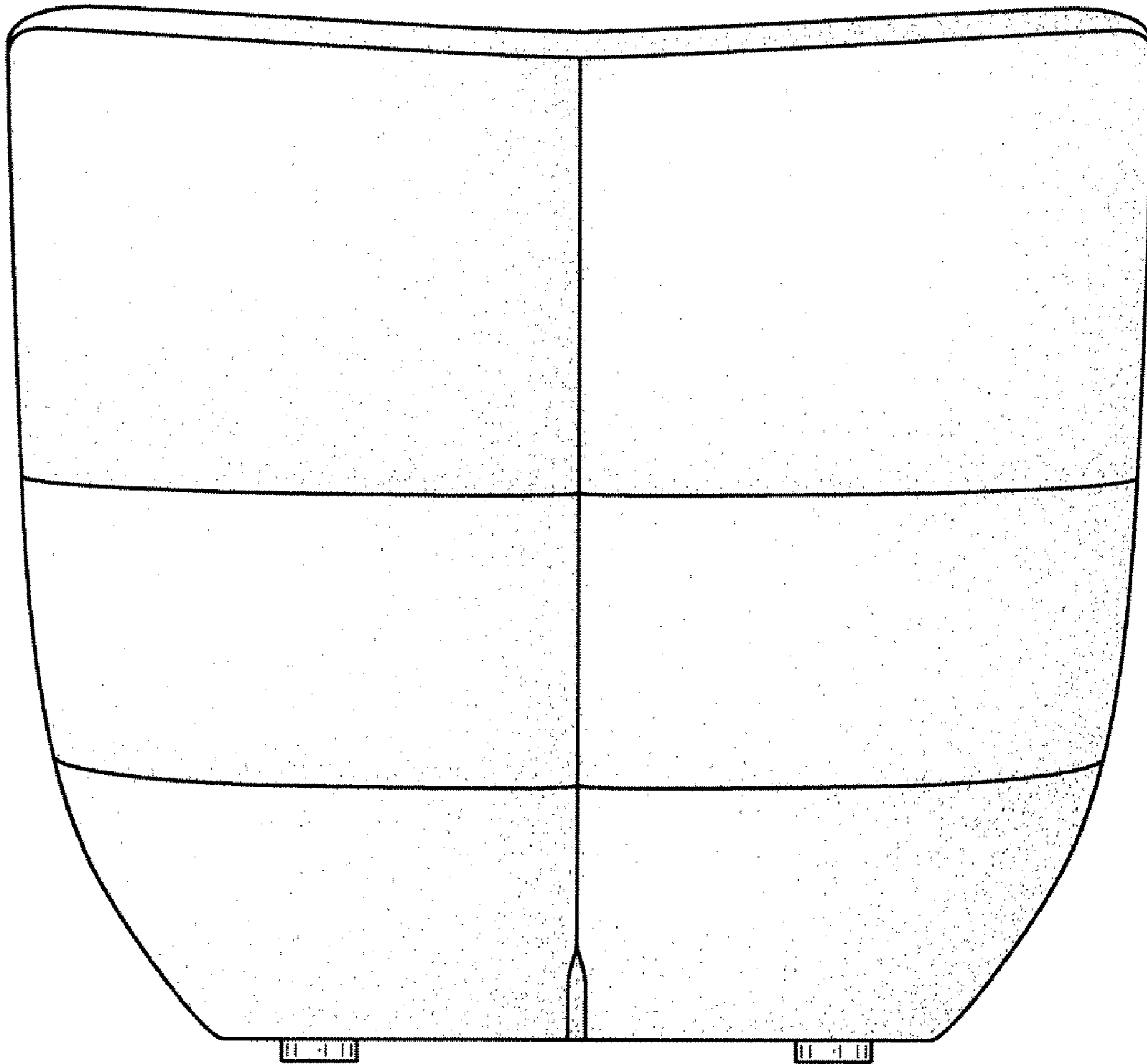


FIG. 3

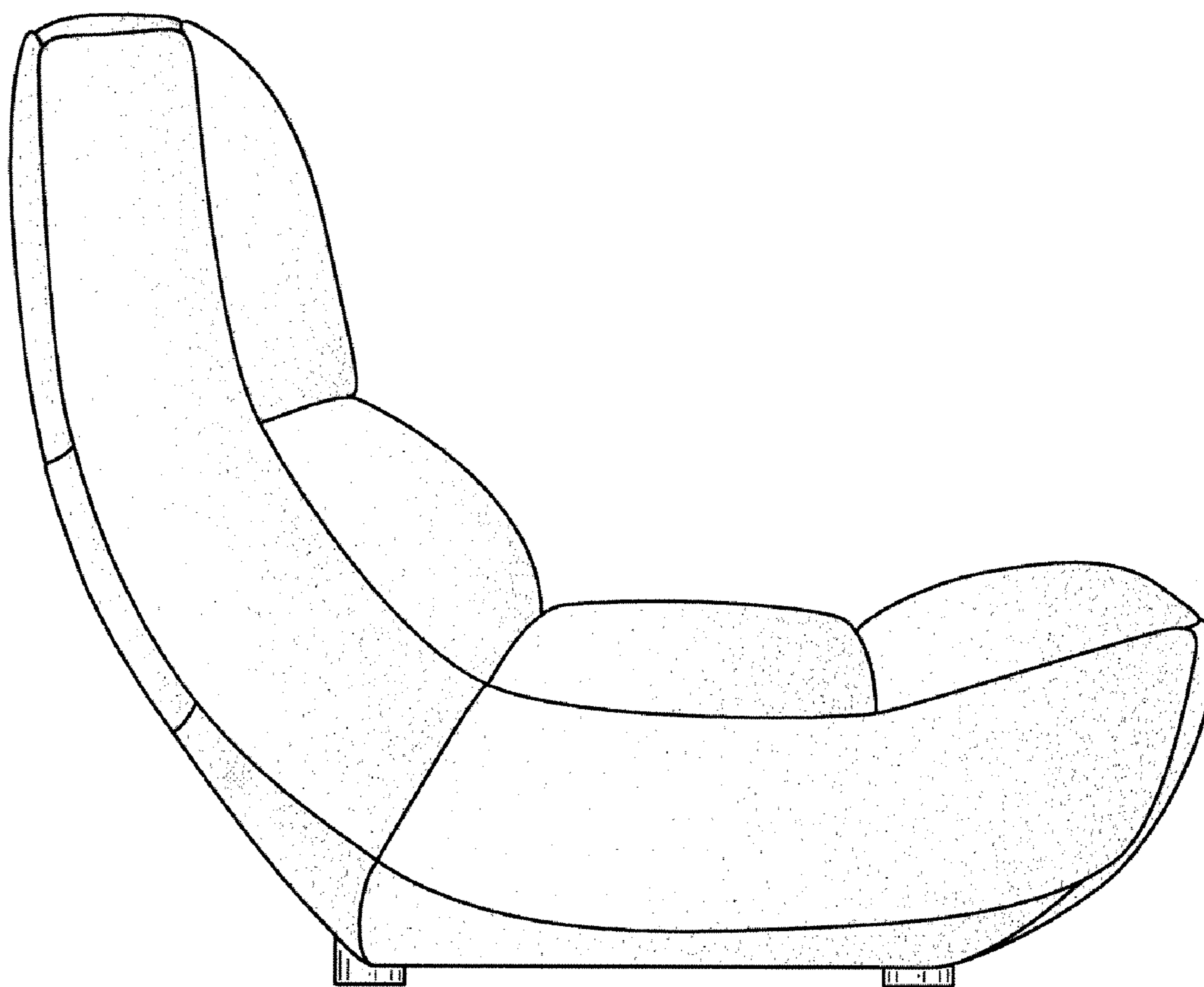


FIG. 4

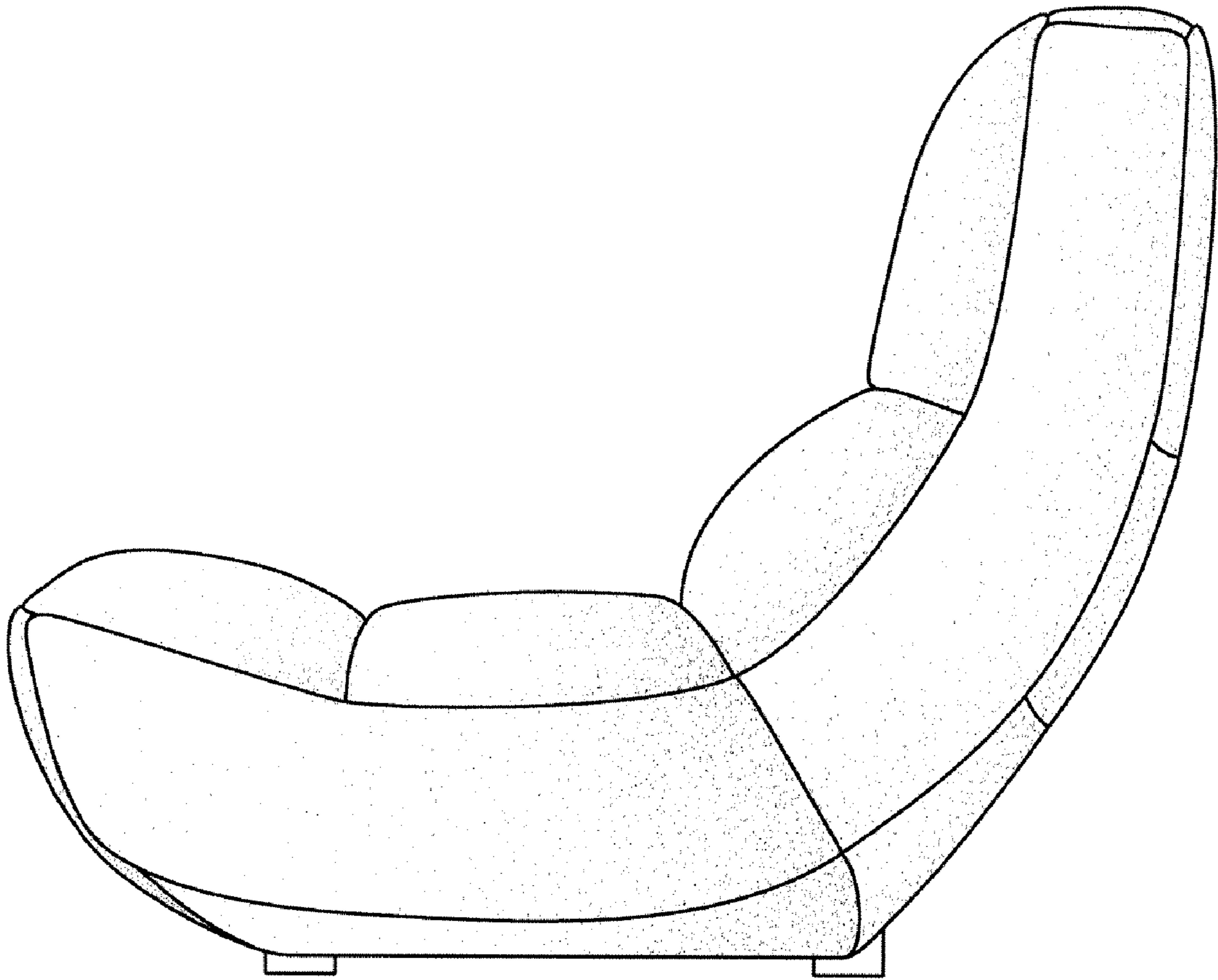


FIG. 5

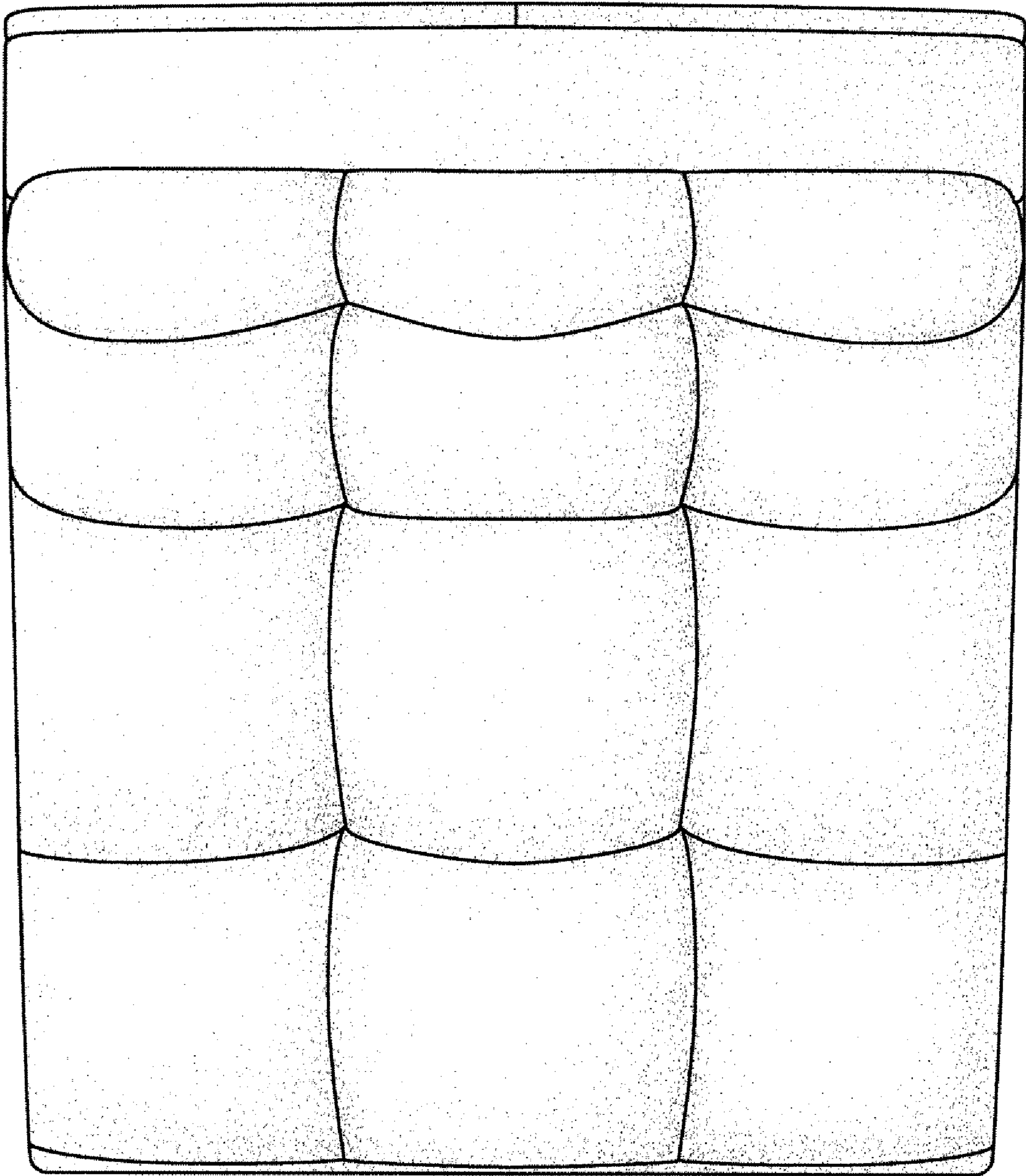


FIG. 6

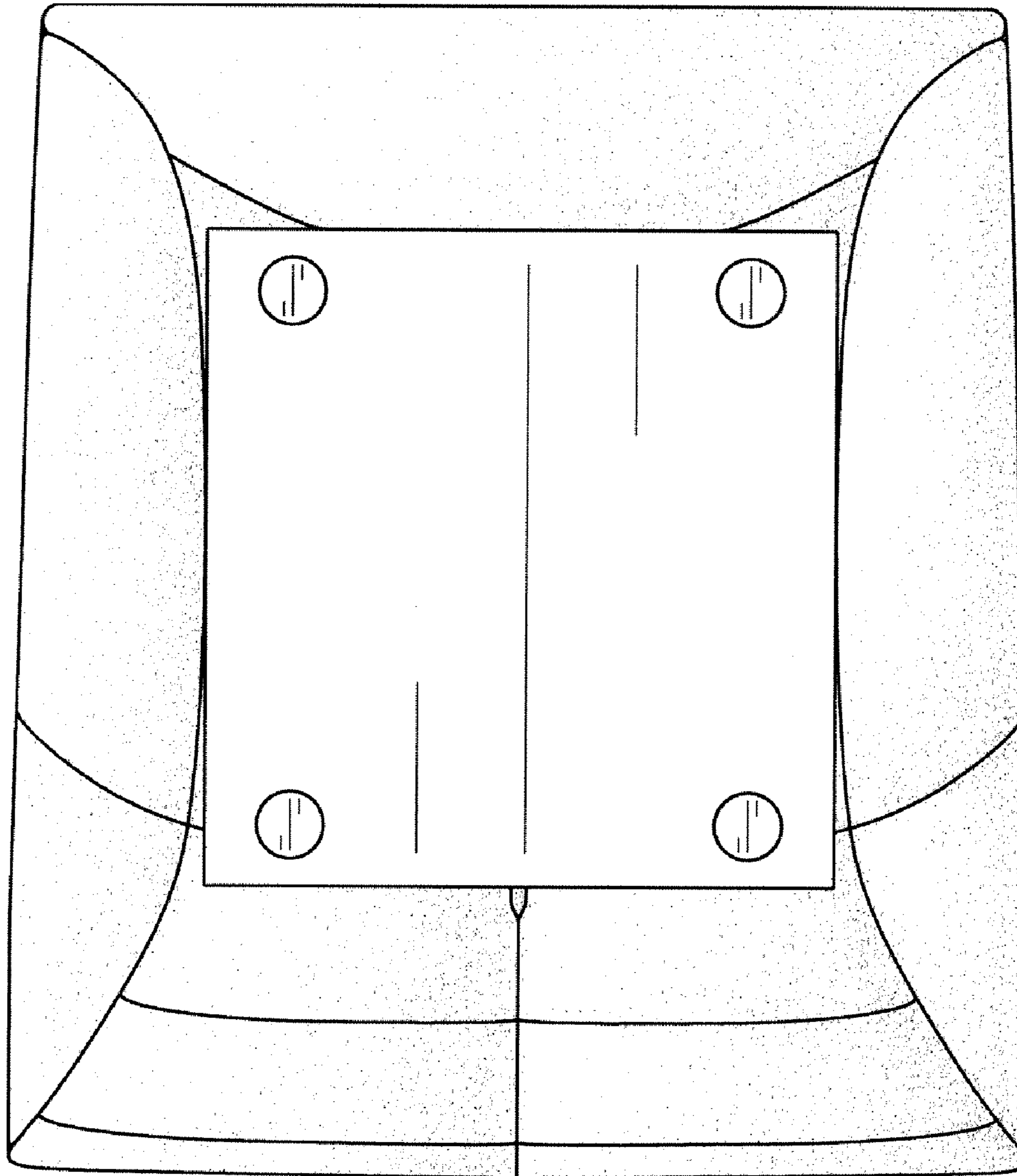


FIG. 7