

US00D627571S

(12) **United States Design Patent**  
**Hoernig et al.**

(10) **Patent No.:** **US D627,571 S**  
(45) **Date of Patent:** **\*\* Nov. 23, 2010**

(54) **BATH CHAIR FOR A SHOWER SYSTEM**

4,495,666 A 1/1985 Herman, Jr.

(75) Inventors: **Victor Hoernig**, Lowell, IN (US);  
**Geraint Krumpe**, Chicago, IL (US)

4,541,131 A 9/1985 Sussman

4,646,491 A 3/1987 Munch

4,680,817 A 7/1987 Sloan et al.

(73) Assignee: **Masco Bath Corporation**, Moorestown,  
NJ (US)

D296,393 S \* 6/1988 Tuzi ..... D6/336

4,876,751 A 10/1989 Van Meter

(\*\*) Term: **14 Years**

(21) Appl. No.: **29/341,832**

(Continued)

(22) Filed: **Aug. 13, 2009**

FOREIGN PATENT DOCUMENTS

(51) **LOC (9) Cl.** ..... **06-01**

WO WO2006/015435 A1 2/2006

(52) **U.S. Cl.** ..... **D6/362**

(58) **Field of Classification Search** ..... D6/334-336,  
D6/349, 355, 362, 367, 368, 370, 374, 378,  
D6/500-502, 553, 555, 567; 297/4, 14, 16.1,  
297/130, 252, 314, 331, 452.3, 451.3; D12/128;  
D23/303, 304; 108/129, 134; 248/220.1,  
248/240, 240.1; 4/578.1, 579, 611

*Primary Examiner*—Mimosa De  
(74) *Attorney, Agent, or Firm*—Nirav D. Parikh; Edgar A.  
Zarins; Lora J. Graentzdoerffer

See application file for complete search history.

(57) **CLAIM**

The ornamental design for a bath chair for a shower system, as shown and described.

(56) **References Cited**

U.S. PATENT DOCUMENTS

- 424,730 A \* 4/1890 Schoonmaker ..... 297/314
- 1,076,808 A 10/1913 Arburg
- 1,197,657 A 9/1916 Orofino
- 1,781,325 A 11/1930 Dowling
- 2,048,909 A 7/1936 Woodworth
- 2,052,629 A 9/1936 Hodgson
- 2,237,076 A 4/1941 Kenney et al.
- 2,529,568 A 11/1950 O'Hara
- 2,678,083 A 5/1954 Dall et al.
- 3,334,358 A 8/1967 McPherson
- 3,443,266 A 5/1969 Mongerson et al.
- D226,853 S 5/1973 Korol
- 3,967,323 A 7/1976 Serio
- 4,087,127 A \* 5/1978 Lotta ..... 297/14
- 4,168,549 A 9/1979 Davies
- 4,384,376 A 5/1983 Shrode
- 4,400,835 A 8/1983 Richter
- D271,731 S \* 12/1983 Chamberlain et al. .... D6/362

**DESCRIPTION**

FIG. 1 is a front/right side perspective view of a bath chair for a shower system;

FIG. 2 is a side elevation view of the bath chair of FIG. 1;

FIG. 3 is a rear elevation view of the bath chair of FIG. 1;

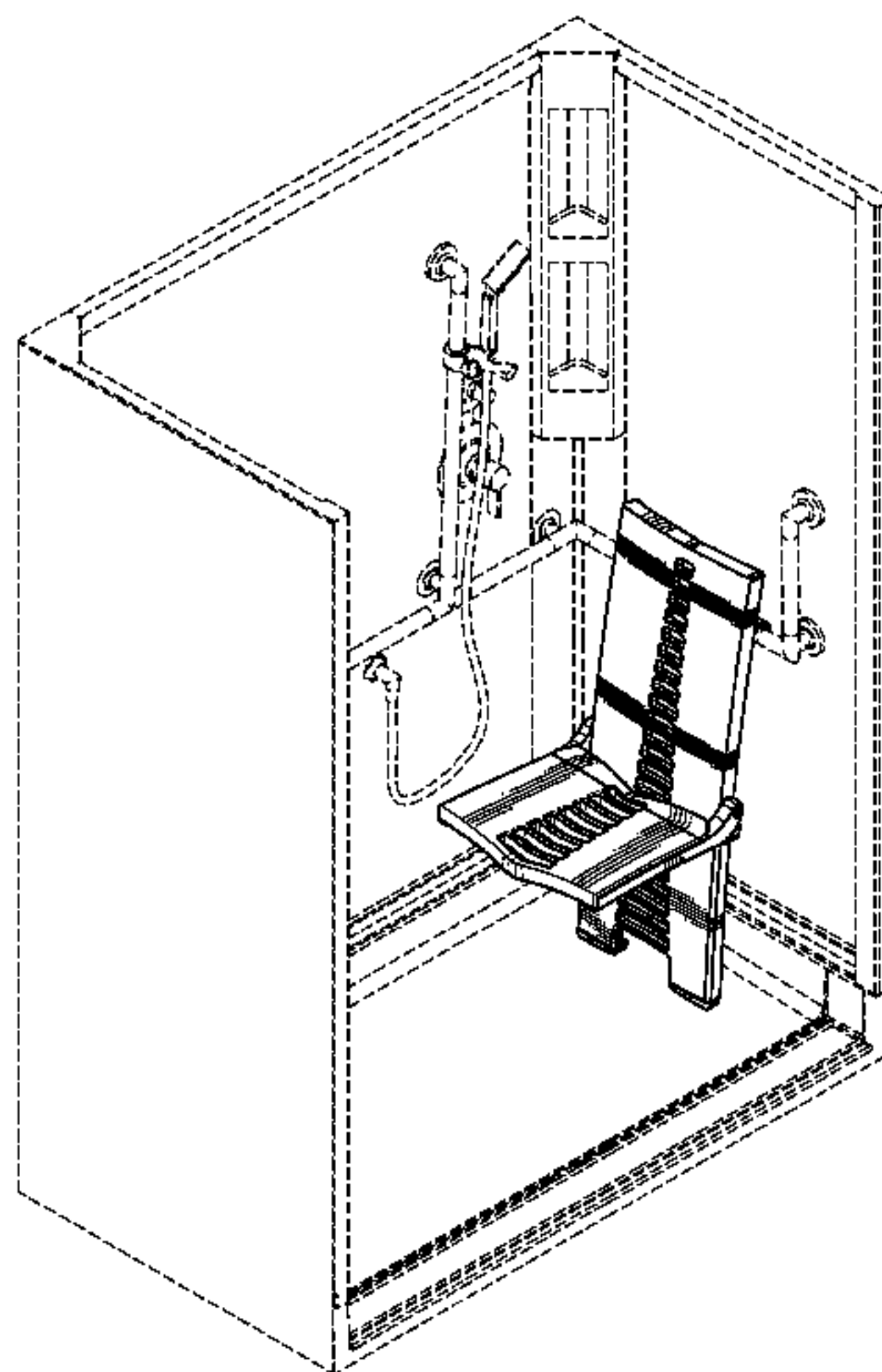
FIG. 4 is a front elevation view of the bath chair of FIG. 1;

FIG. 5 is a bottom view of the bath chair of FIG. 1; and,

FIG. 6 is a top plan view of the bath chair of FIG. 1.

The broken lines are for illustrative purposes only and form no part of the claimed design.

**1 Claim, 2 Drawing Sheets**

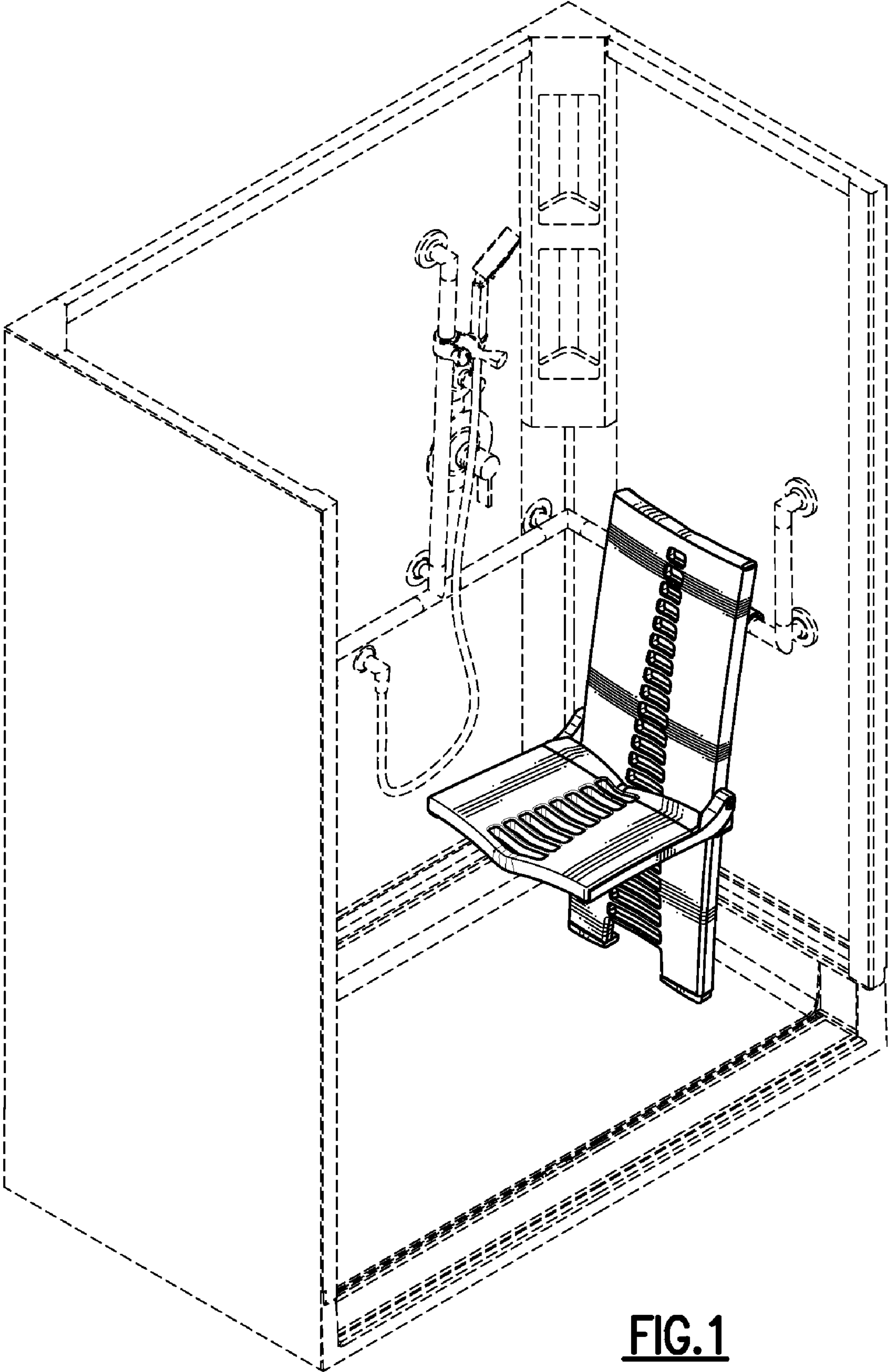


# US D627,571 S

Page 2

U.S. PATENT DOCUMENTS						
			7,007,315	B2	3/2006	Stonecipher
4,897,889	A	2/1990	D522,636	S	6/2006	Lanius
4,905,327	A	3/1990	7,080,417	B2 *	7/2006	Jiang ..... 4/578.1
5,056,169	A	10/1991	D527,084	S	8/2006	Helmetsie
5,185,892	A	2/1993	D527,919	S *	9/2006	Sutton ..... D6/362
5,446,929	A	9/1995	7,121,620	B1	10/2006	Fang
5,463,780	A	11/1995	7,155,757	B1	1/2007	Zamora, Jr.
5,590,427	A *	1/1997	D561,307	S	2/2008	Breymaier et al.
D380,528	S	7/1997	D566,251	S	4/2008	Bates
D383,198	S	9/1997	D570,967	S	6/2008	Hood
D383,929	S *	9/1997	D572,805	S	7/2008	Daikubara et al.
5,671,489	A	9/1997	D573,238	S	7/2008	Patterson et al.
5,720,056	A	2/1998	7,392,551	B2	7/2008	Lanius
D405,517	S	2/1999	7,392,553	B2	7/2008	Uhl et al.
6,088,847	A	7/2000	D578,185	S	10/2008	Biagi et al.
6,094,757	A	8/2000	D578,186	S	10/2008	Biagi et al.
6,109,189	A	8/2000	D578,187	S	10/2008	Biagi et al.
6,226,810	B1	5/2001	D578,623	S	10/2008	Biagi et al.
D444,866	S	7/2001	D578,624	S	10/2008	Biagi et al.
6,360,380	B1	3/2002	D580,026	S	11/2008	Biagi et al.
6,408,456	B1	6/2002	D588,237	S	3/2009	Patterson et al.
6,618,871	B2	9/2003	D599,256	S *	9/2009	Kawakami et al. .... D12/128
6,643,861	B2	11/2003	2005/0102746	A1	5/2005	Wright et al.
6,807,689	B1	10/2004	2005/0246830	A1	11/2005	Galyean, Jr. et al.
D501,611	S *	2/2005	2006/0236452	A1	10/2006	Polimeno
6,893,704	B1	5/2005	2007/0067903	A1	3/2007	Hatrick-Smith
6,912,740	B2	7/2005	2007/0199263	A1	8/2007	Kern et al.
6,915,535	B2	7/2005	2008/0190048	A1	8/2008	Kitakado
6,938,868	B2	9/2005	2008/0196154	A1 *	8/2008	Felmeri ..... 4/579
RE38,841	E *	10/2005	2009/0100592	A1	4/2009	Biagi et al.
D510,487	S *	10/2005				

\* cited by examiner



**FIG. 1**

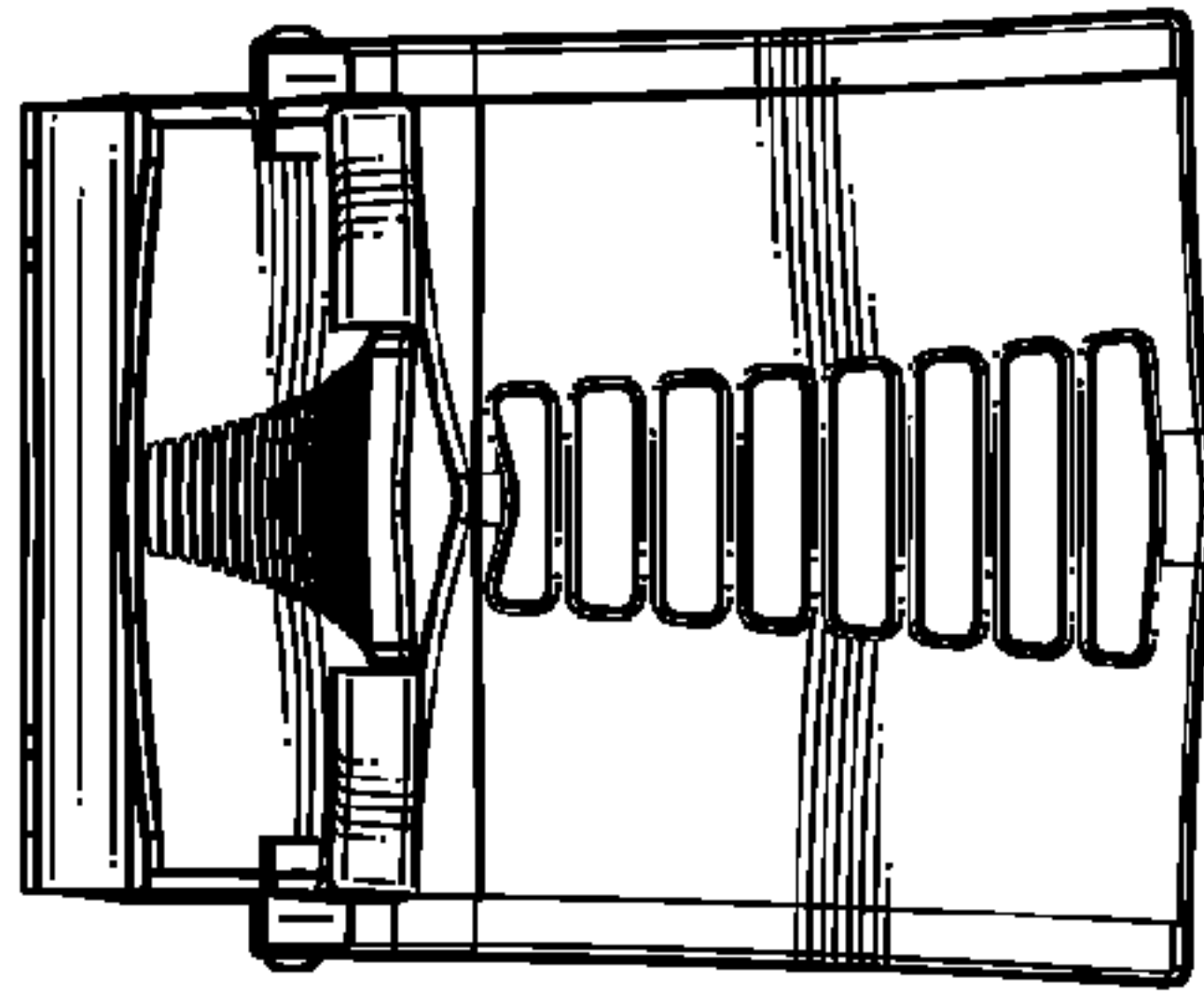


FIG. 6

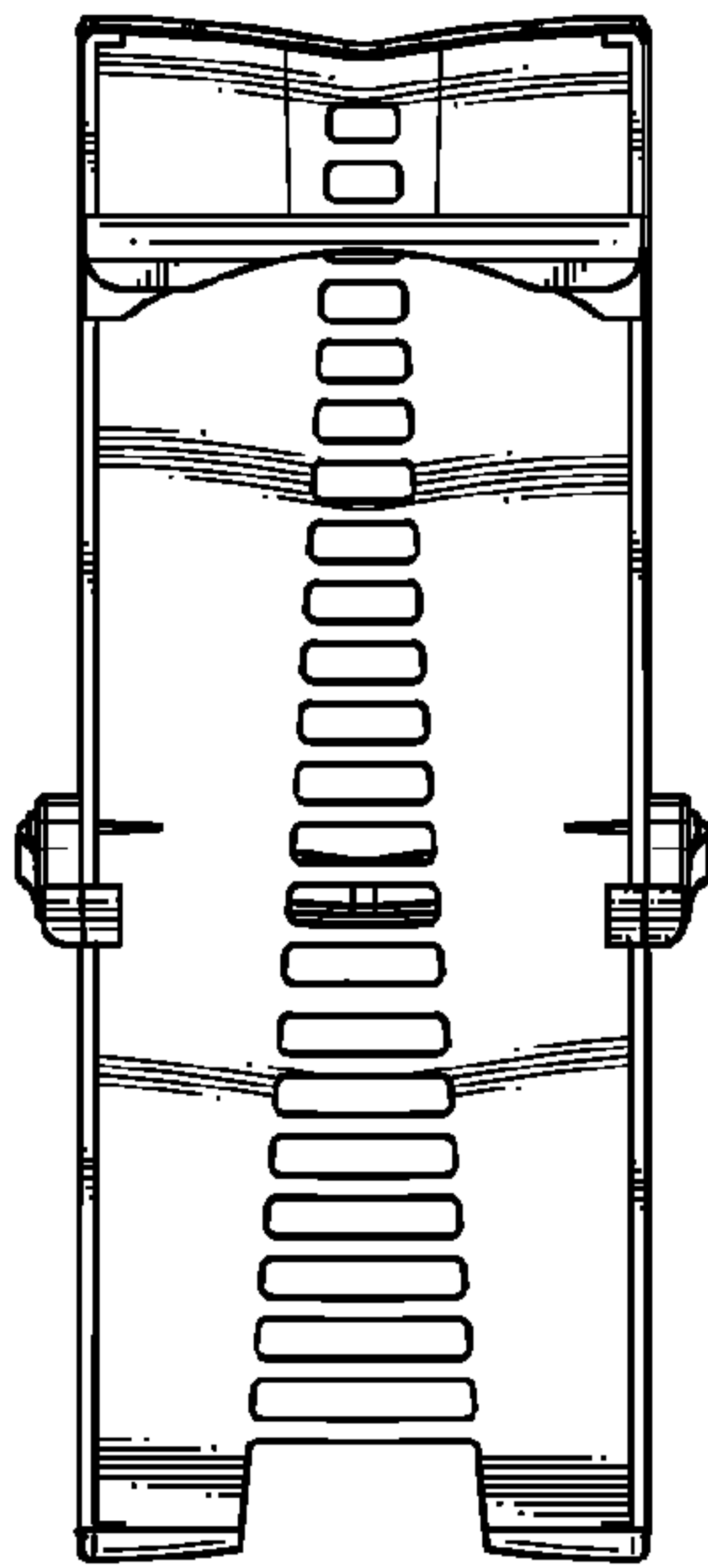


FIG. 3

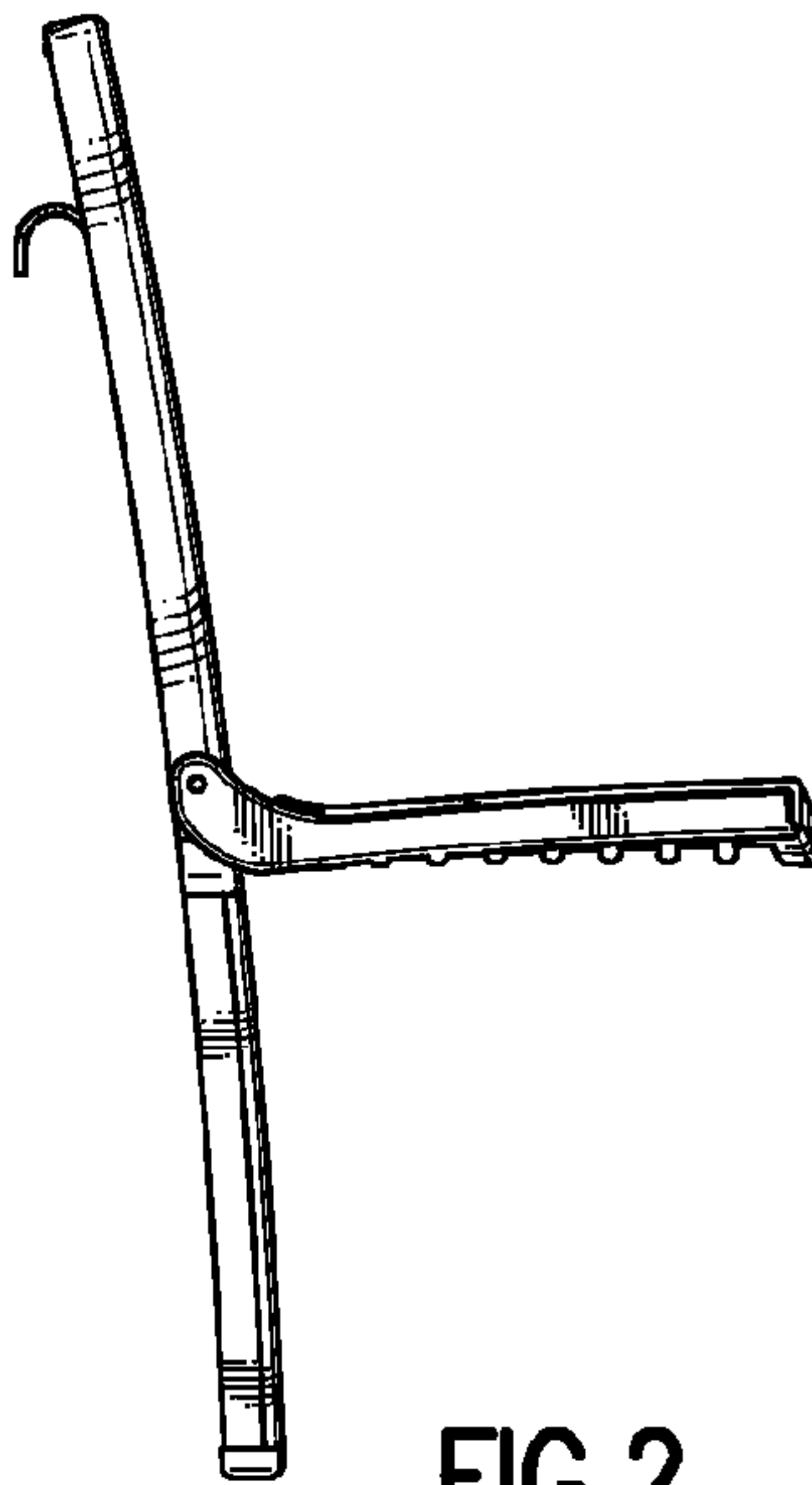


FIG. 2

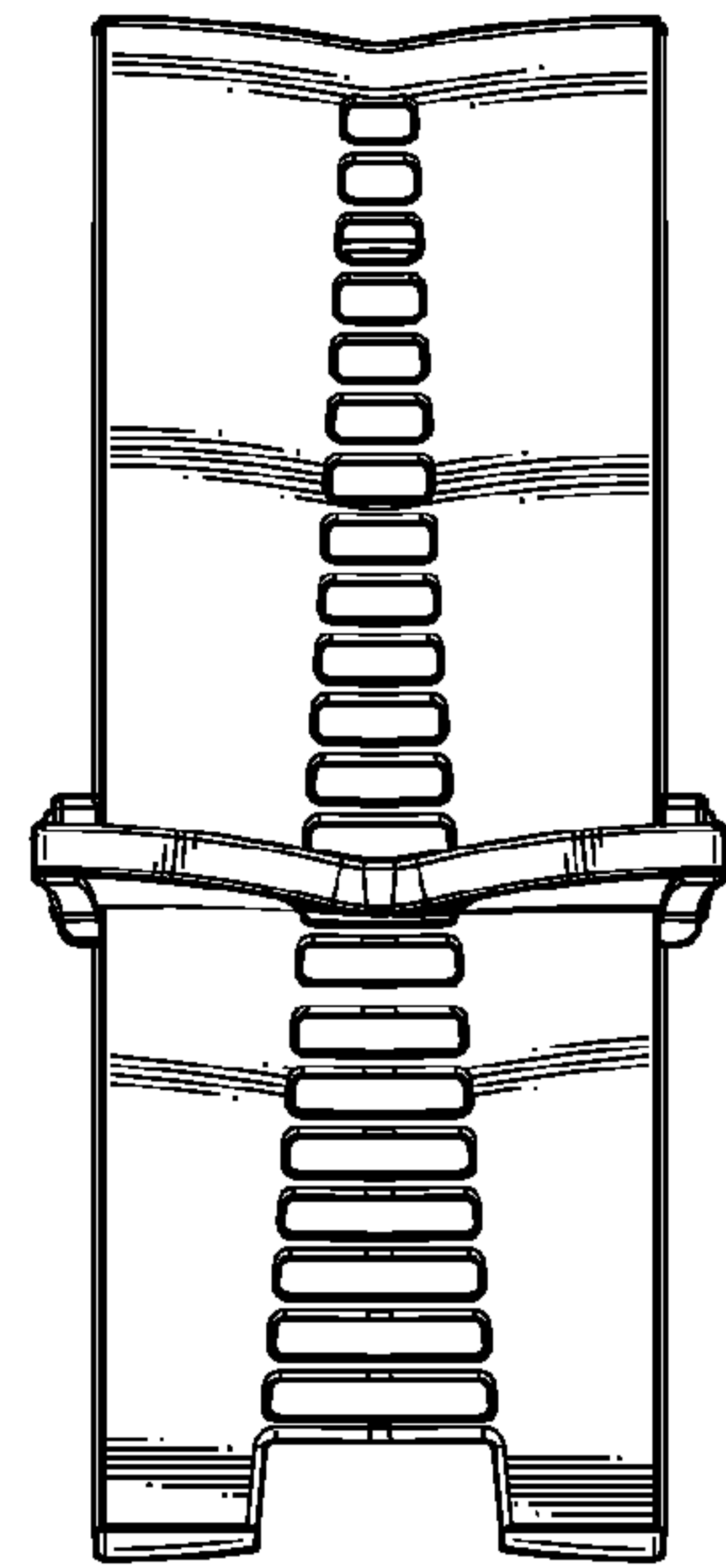


FIG. 4

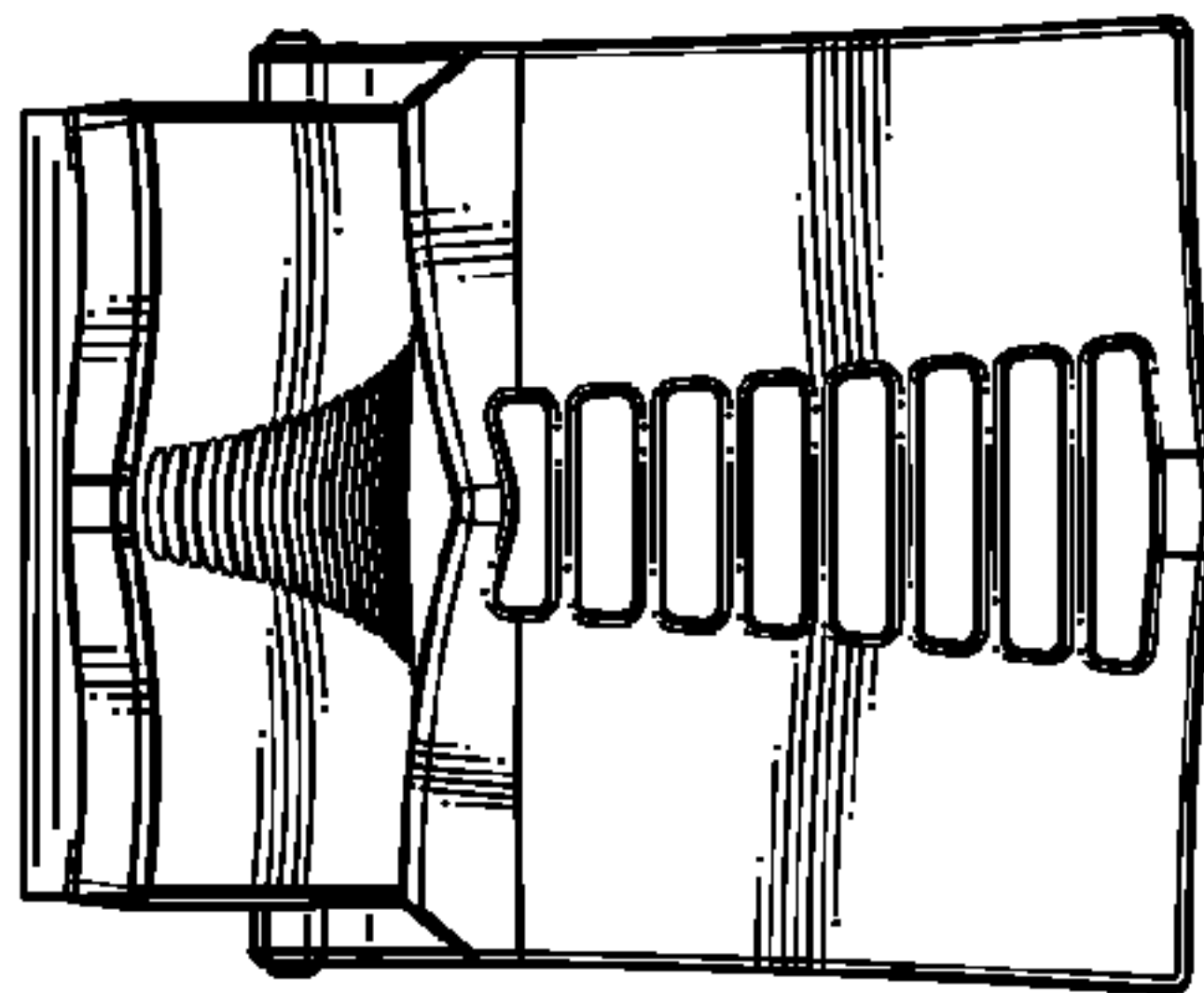


FIG. 5