



US00D627570S

(12) **United States Design Patent**
Simmons

(10) **Patent No.:** **US D627,570 S**

(45) **Date of Patent:** **** Nov. 23, 2010**

(54) **HAT RACK**

(76) Inventor: **Scott Simmons**, 11140 E. County Rd. 0
NS, Frankfort, IN (US) 46041

(**) Term: **14 Years**

(21) Appl. No.: **29/349,700**

(22) Filed: **Apr. 23, 2010**

(51) **LOC (9) Cl.** **06-08**

(52) **U.S. Cl.** **D6/323**

(58) **Field of Classification Search** D6/315,
D6/320, 323; D8/300, 367; 223/85-98;
211/1, 13.1, 85.3

See application file for complete search history.

(56) **References Cited**

U.S. PATENT DOCUMENTS

4,757,905 A	7/1988	Green	
D357,842 S	5/1995	Cohrs	
D465,946 S	11/2002	Boyd, Jr.	
6,578,716 B1	6/2003	Wei	
D499,892 S	12/2004	Schneider	
D503,544 S	4/2005	Scanlan	
D505,274 S *	5/2005	Lai D6/323

D534,012 S	12/2006	Lee, Sr.	
D543,709 S *	6/2007	Krumpe et al. D6/323
D548,469 S *	8/2007	Hoernig D6/323
D564,243 S *	3/2008	Zhang D6/323
D568,619 S	5/2008	Worrell	
D607,649 S *	1/2010	Koury D6/323

* cited by examiner

Primary Examiner—Shanda C Hill

(74) *Attorney, Agent, or Firm*—Frank Lachenmaier

(57) **CLAIM**

The ornamental design for a hat rack, as shown and described.

DESCRIPTION

FIG. 1 is a front view of a hat rack showing my new design;

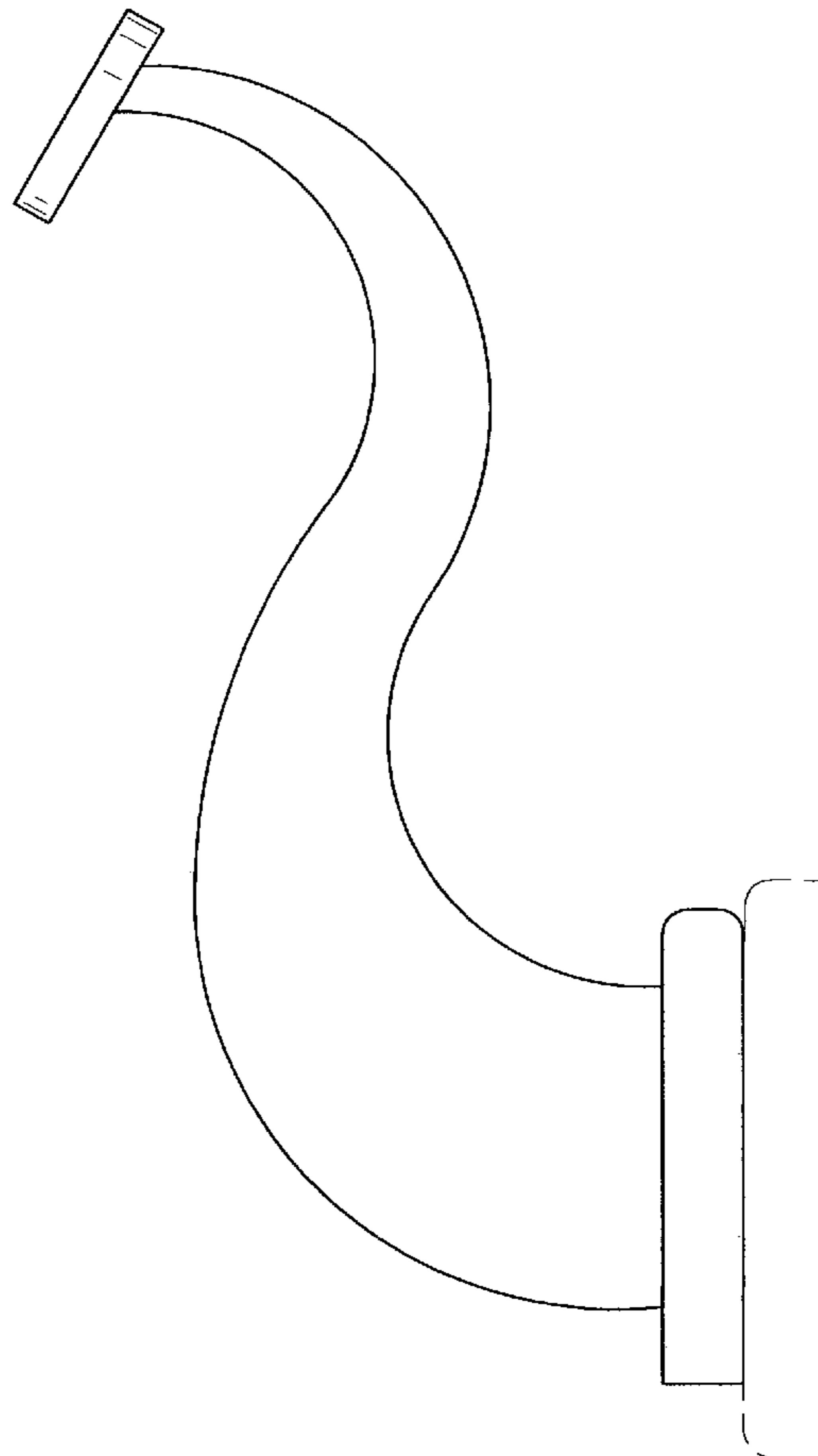
FIG. 2 is a back view thereof;

FIG. 3 is a top view thereof; and,

FIG. 4 is a left side view of FIG. 1 shown in an alternate environment, the right side view being a mirror image.

The broken lines shown in the drawing disclosure are for illustrative purposes only and form no part of the claimed design.

1 Claim, 4 Drawing Sheets



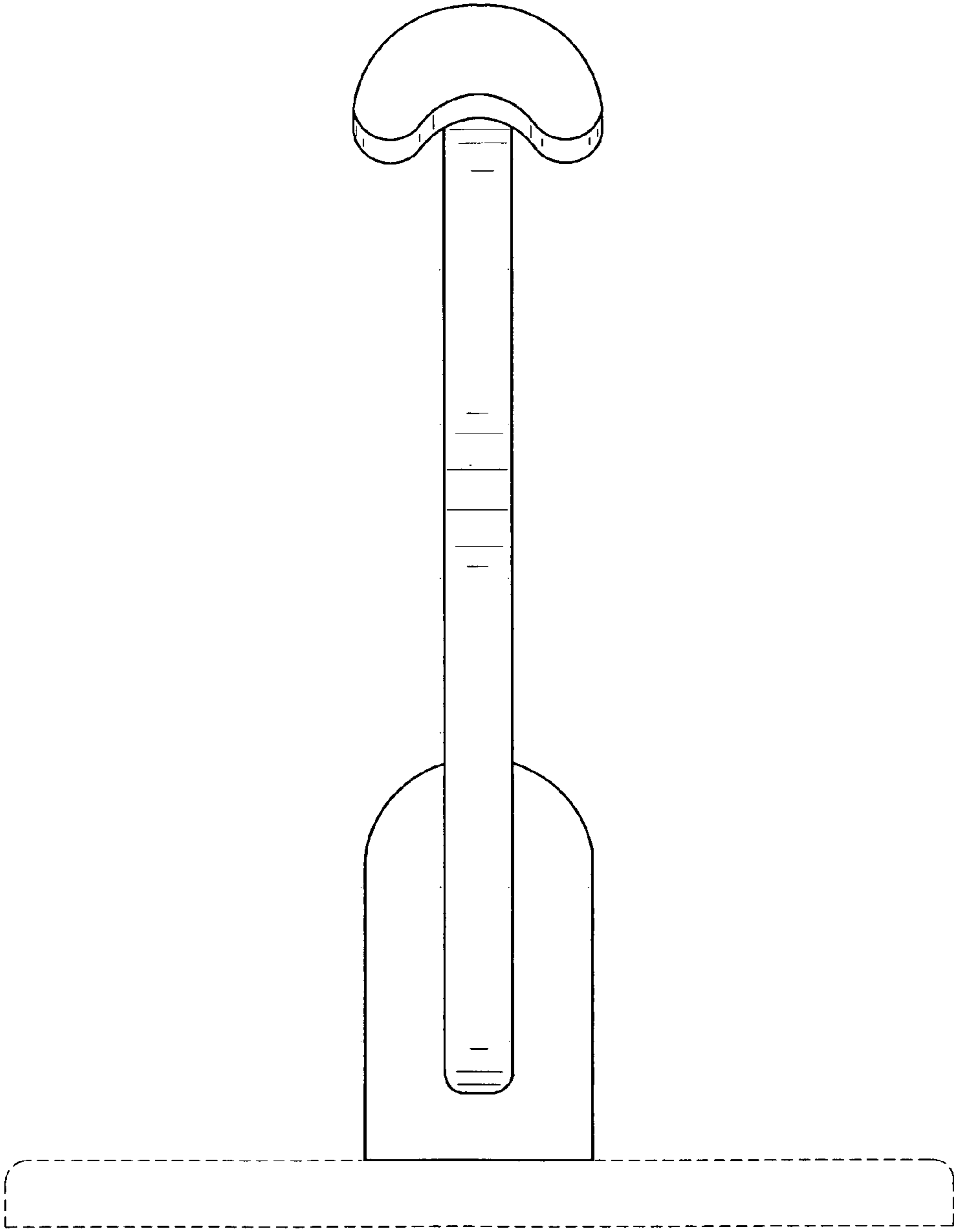


FIG 1

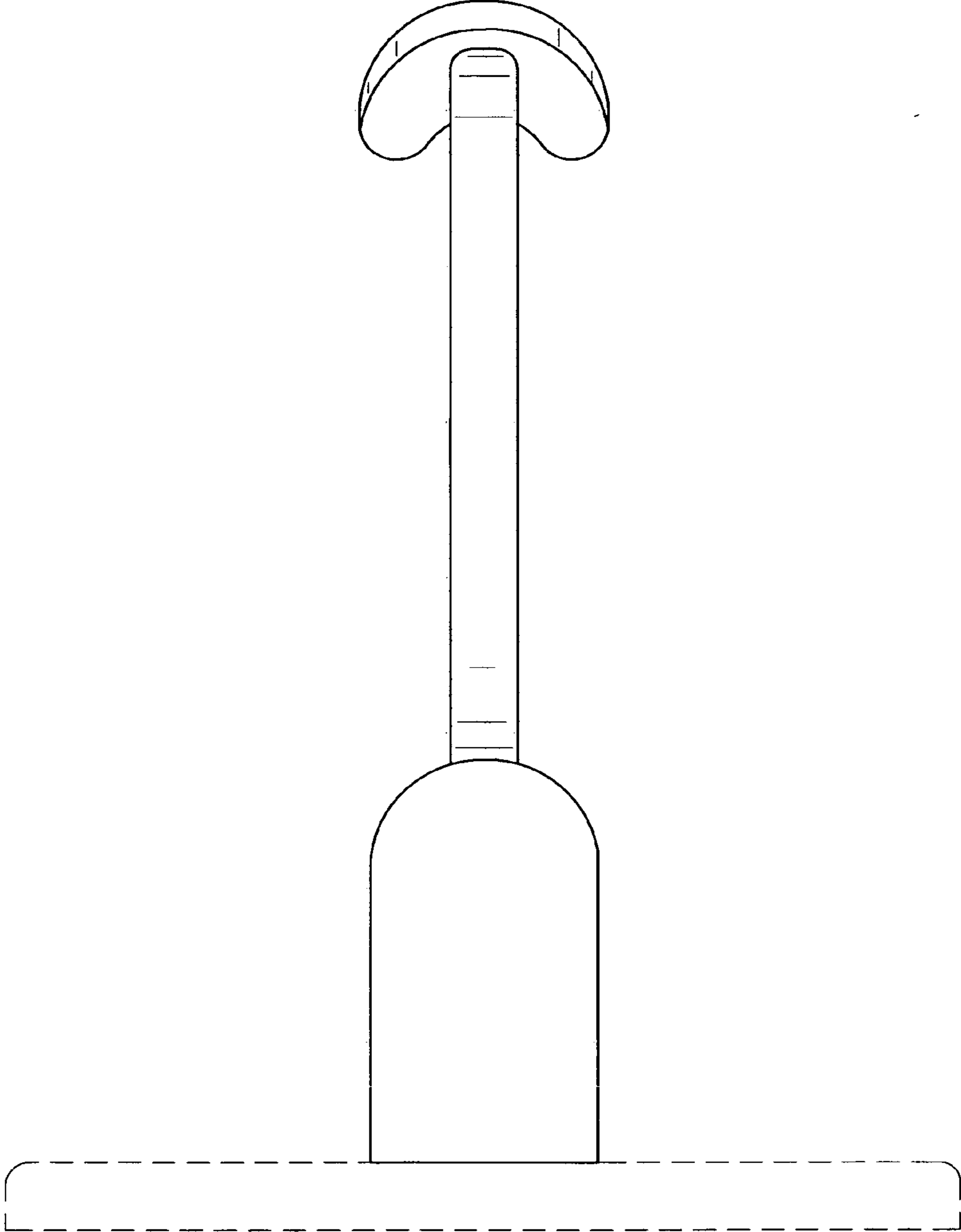


FIG 2

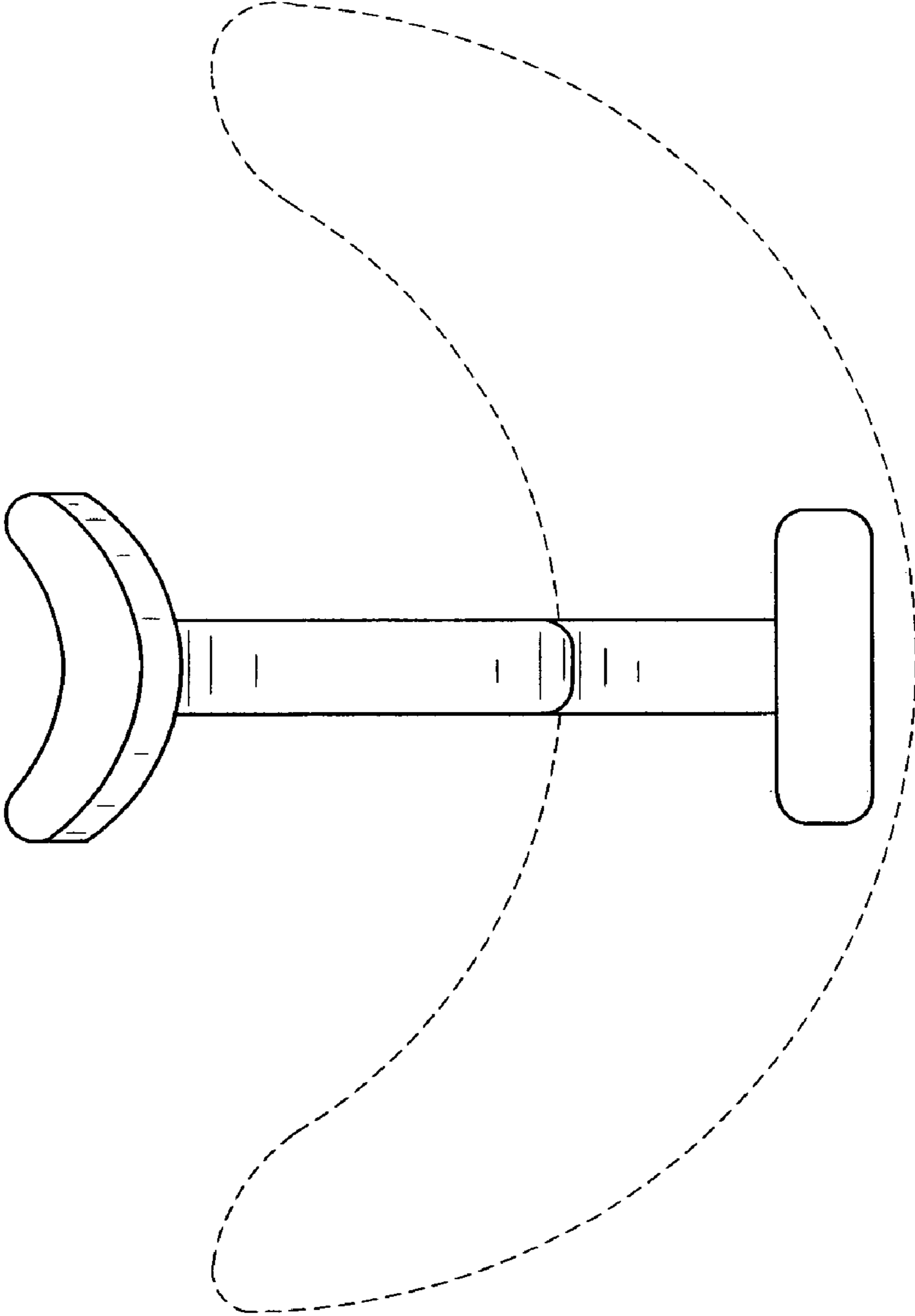


FIG 3

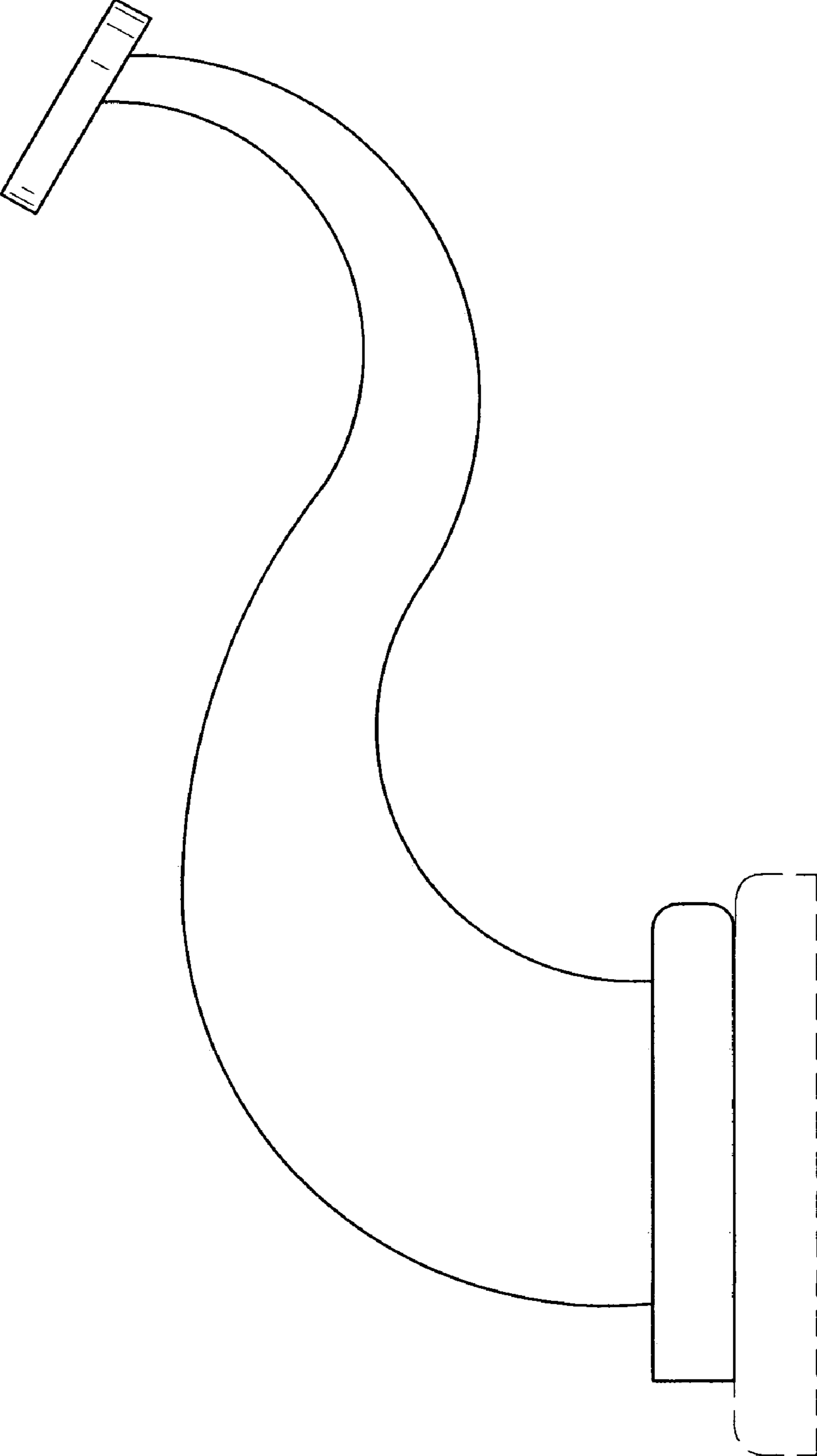


FIG 4