



US00D627567S

(12) **United States Design Patent**
Fomby et al.

(10) **Patent No.:** **US D627,567 S**

(45) **Date of Patent:** **** Nov. 23, 2010**

(54) **APPLICATOR BRUSH**

(76) Inventors: **Kenneth Alexander Fomby**, 4450 W. Highway 82, P.O. Box 636, Gainesville, TX (US) 76240; **Kenneth Russell Fomby**, 4450 W. Highway 82, P.O. Box 636, Gainesville, TX (US) 76240; **Kevin Mark Klughart**, 3825 Leisure La., Denton, TX (US) 76210

D288,988 S 3/1987 Fomby
4,712,936 A * 12/1987 Kessler 401/129
5,159,736 A * 11/1992 Newell 401/129
5,617,605 A * 4/1997 Hoerner et al. 15/248.1
5,829,902 A 11/1998 Fomby
6,190,075 B1 * 2/2001 Lewis 401/129

* cited by examiner

Primary Examiner—Jennifer Rivard
(74) *Attorney, Agent, or Firm*—Kevin Mark Klughart

(**) Term: **14 Years**

(21) Appl. No.: **29/370,321**

(22) Filed: **Jun. 30, 2010**

(51) **LOC (9) Cl.** **04-01**
(52) **U.S. Cl.** **D4/121; D4/127**
(58) **Field of Classification Search** D4/116,
D4/121, 127, 135, 128; 401/126–129; 15/171,
15/172, 248.1
See application file for complete search history.

(56) **References Cited**

U.S. PATENT DOCUMENTS

3,895,877 A * 7/1975 Fomby 401/129
3,992,116 A 11/1976 Fomby

(57) **CLAIM**

We claim the ornamental design for an applicator brush, as shown and described.

DESCRIPTION

FIG. 1 illustrates a perspective view of an applicator brush showing my new design;
FIG. 2 illustrates a side view of the applicator brush;
FIG. 3 illustrates a top end view of the applicator brush; and,
FIG. 4 illustrates a bottom end view of the applicator brush.
The claimed design is shown broken away and indicates no particular length.

1 Claim, 4 Drawing Sheets

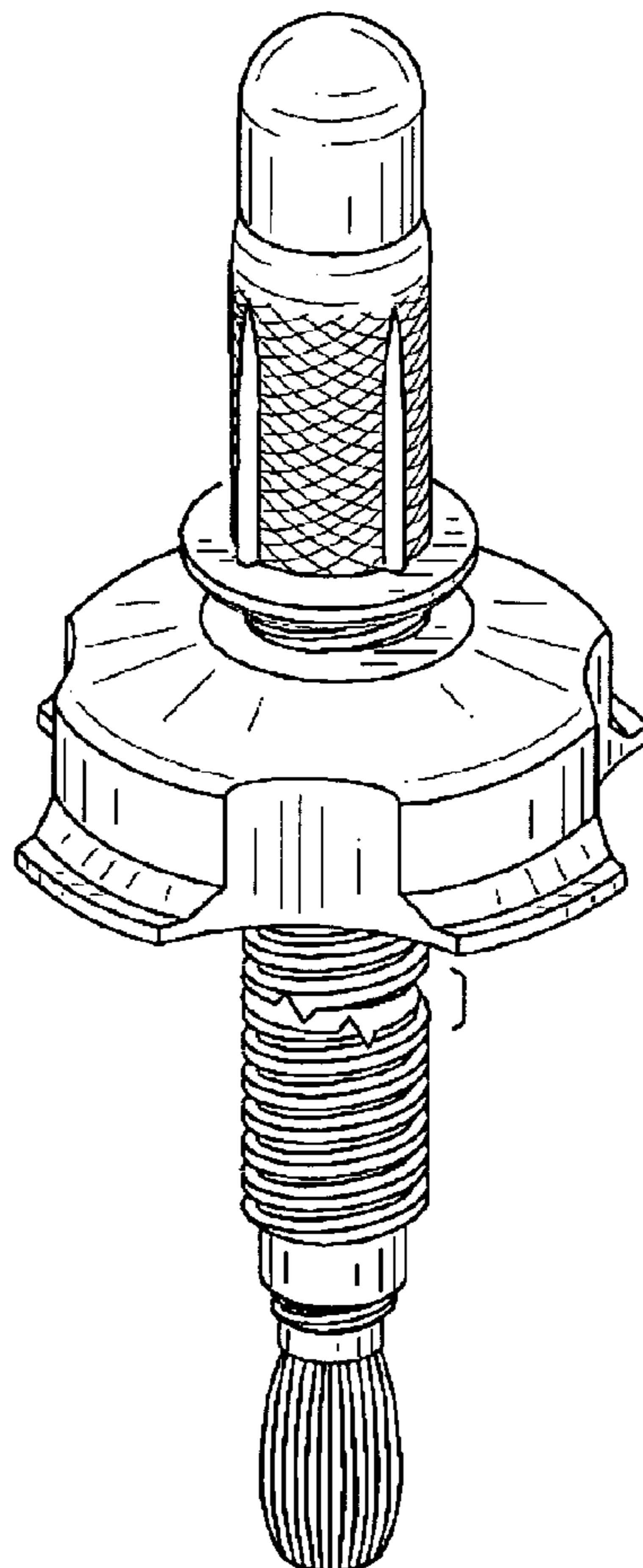


FIG. 1

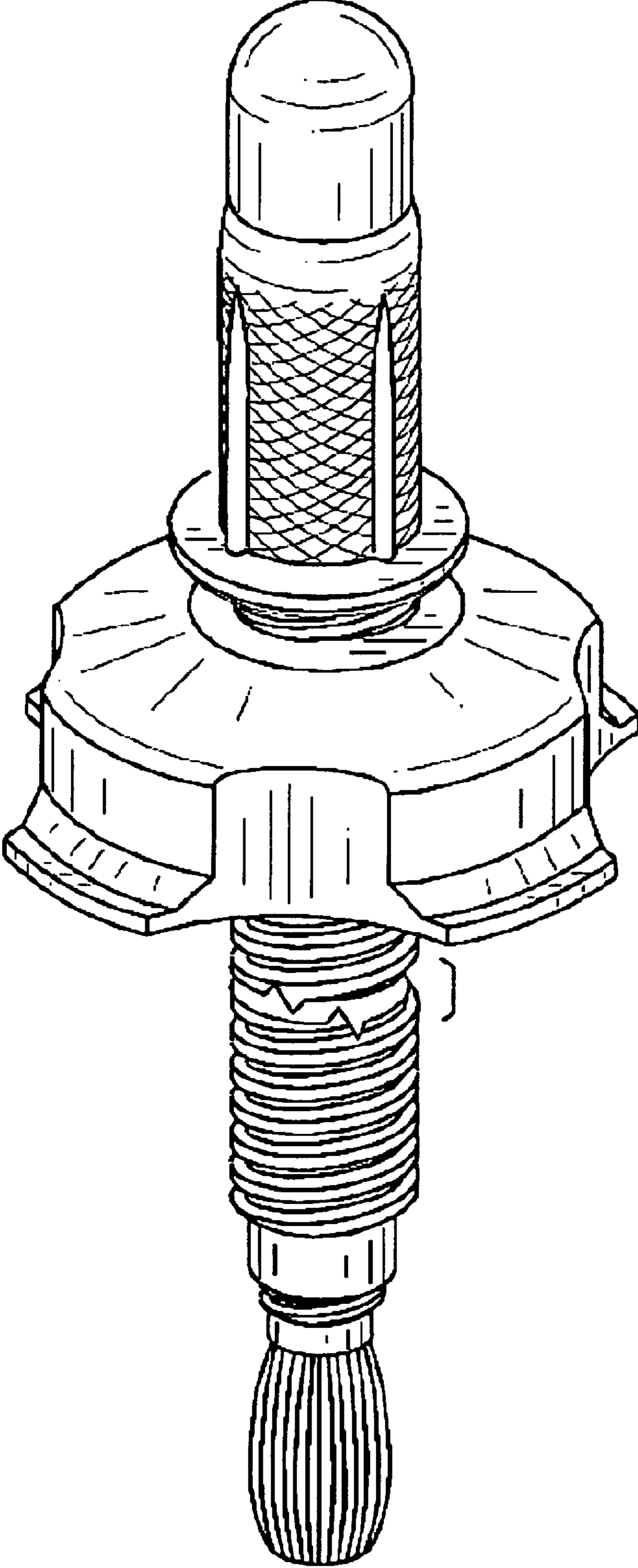


FIG. 2

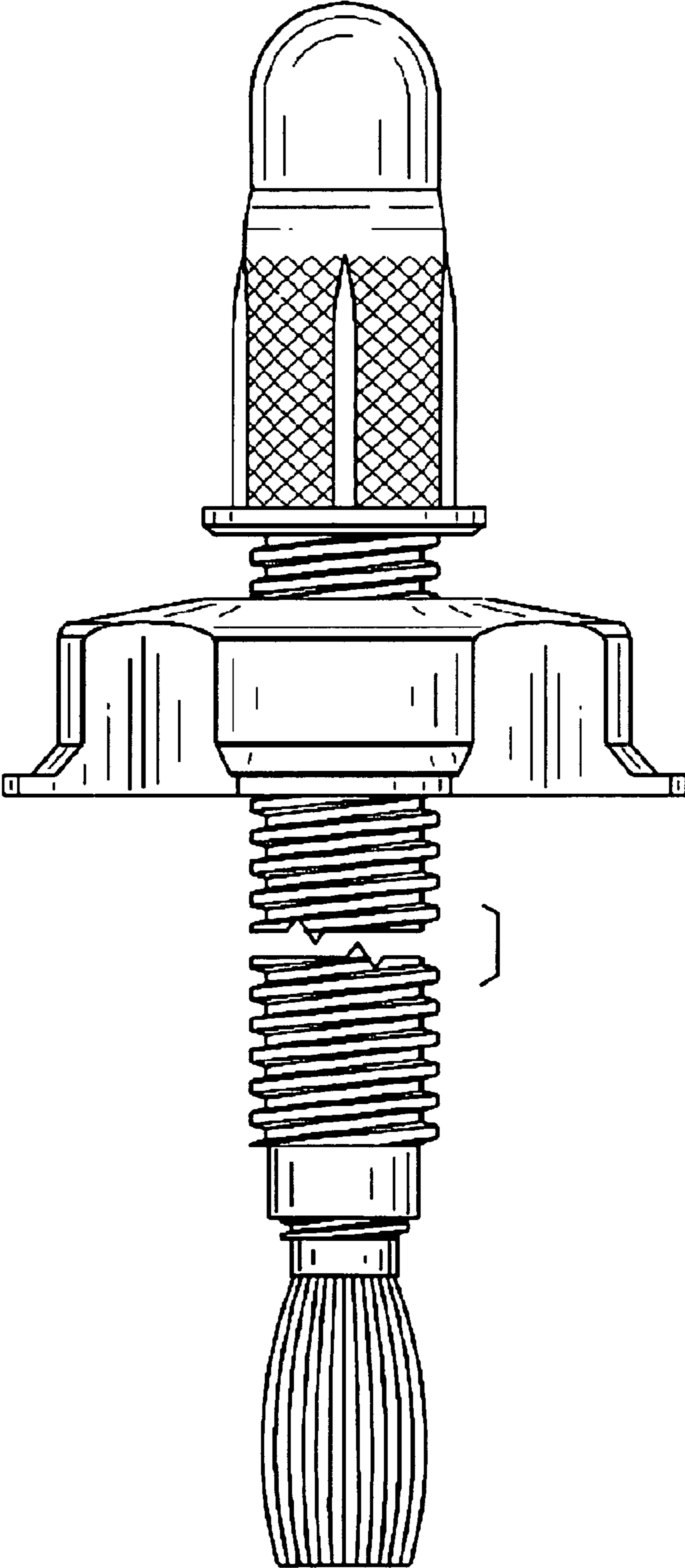


FIG. 3

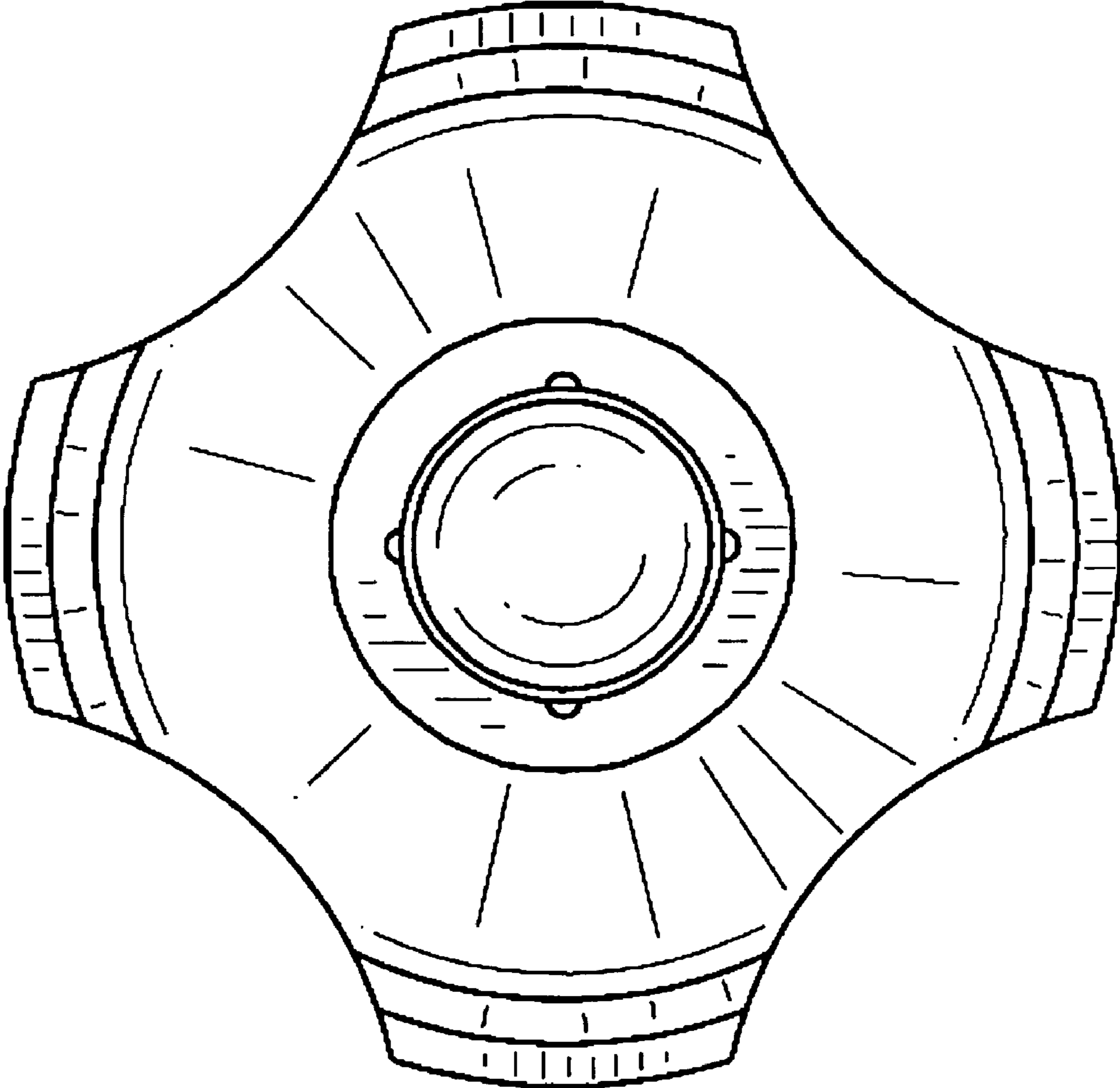


FIG. 4

