



US00D627565S

(12) **United States Design Patent**
Tyce et al.

(10) **Patent No.:** **US D627,565 S**

(45) **Date of Patent:** **** Nov. 23, 2010**

(54) **ELECTRIC SELF-CLEANING PET BRUSH**

6,324,713 B1 * 12/2001 Barkley 15/23

6,427,633 B1 8/2002 Ogden

2007/0169720 A1 7/2007 Roy

2008/0066690 A1 3/2008 Rosen

2009/0223008 A1 9/2009 Kissel, Jr.

(76) Inventors: **Lynn Tyce**, 15571 E. Pacific Pl., Aurora,
CO (US) 80013; **Linda Tyce**, 15571 E.
Pacific Pl., Aurora, CO (US) 80013

(**) Term: **14 Years**

* cited by examiner

(21) Appl. No.: **29/358,158**

Primary Examiner—Melanie H Tung

Assistant Examiner—Lavone D Tabor

(22) Filed: **Mar. 23, 2010**

(74) *Attorney, Agent, or Firm*—Crossley Patent Law; Mark A.
Crossley

(51) **LOC (9) Cl.** **04-02**

(52) **U.S. Cl.** **D4/102; D4/122**

(58) **Field of Classification Search** D4/100,
D4/102, 122, 138; D30/158; 15/23–27,
15/50.3, 52.1, 179, 183, 230.11; 119/600,
119/608, 609, 612, 615, 628, 663, 664; 401/197;
492/16, 17, 19

See application file for complete search history.

(57) **CLAIM**

The ornamental design for an electric self-cleaning pet brush,
as shown and described.

(56) **References Cited**

DESCRIPTION

U.S. PATENT DOCUMENTS

261,160	A *	7/1882	King	15/23
393,192	A *	11/1888	Thayer	15/23
594,732	A *	11/1897	Fretwell	15/27
596,090	A *	12/1897	Roux	401/197
887,867	A *	5/1908	Stoerr et al.	15/23
1,270,410	A *	6/1918	Hacker	15/230.11
1,340,040	A *	5/1920	Gasser	15/23
2,753,583	A *	7/1956	Jepson	15/246
D357,810	S	5/1995	Evans		
D358,908	S	5/1995	Rawski		

FIG. 1 is a top plan view of an electric self-cleaning pet brush
showing my new design;

FIG. 2 is a bottom plan view thereof;

FIG. 3 is a right elevation view thereof;

FIG. 4 is a left elevation view thereof;

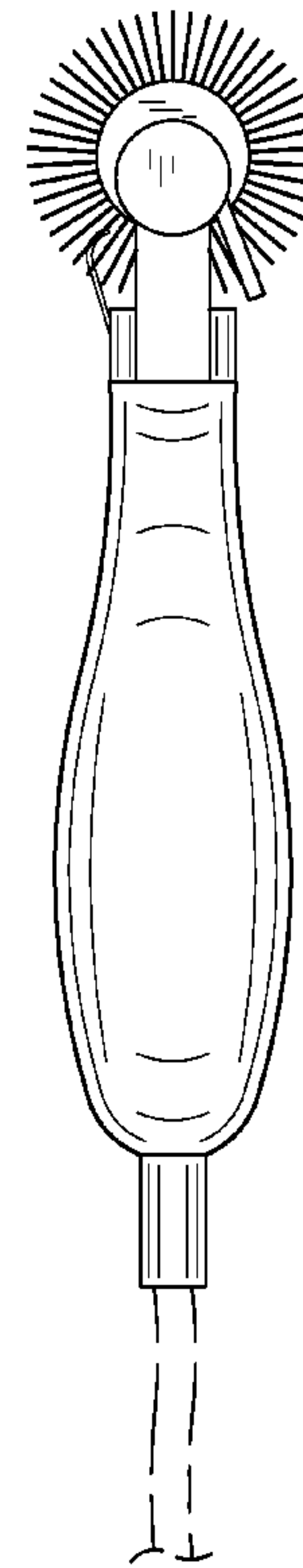
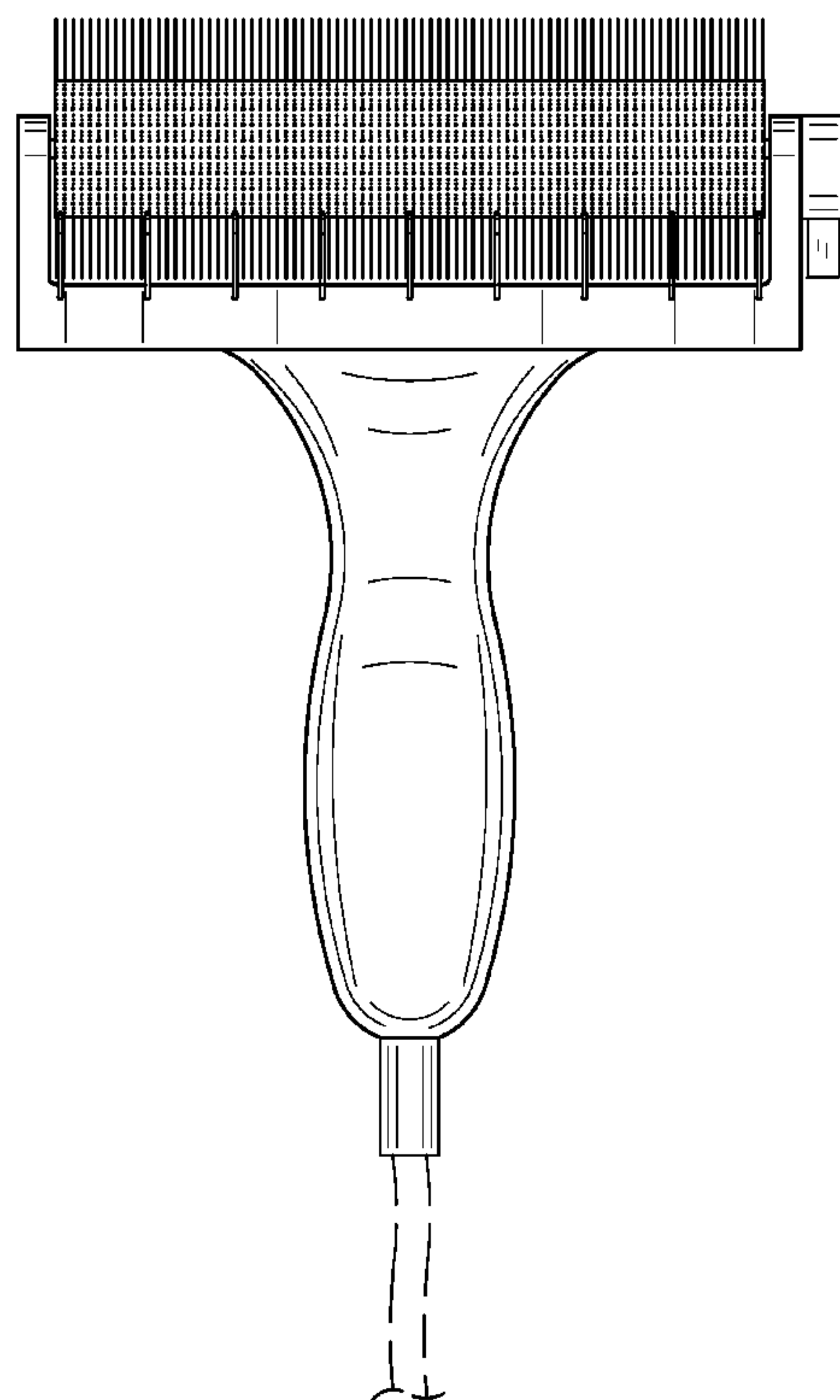
FIG. 5 is a front elevation view thereof;

FIG. 6 is a rear elevation view thereof; and,

FIG. 7 is an isometric view thereof.

The broken lines showing a cord in FIGS. 1-4 illustrate envi-
ronmental structure that forms no part of the claimed design.

1 Claim, 5 Drawing Sheets



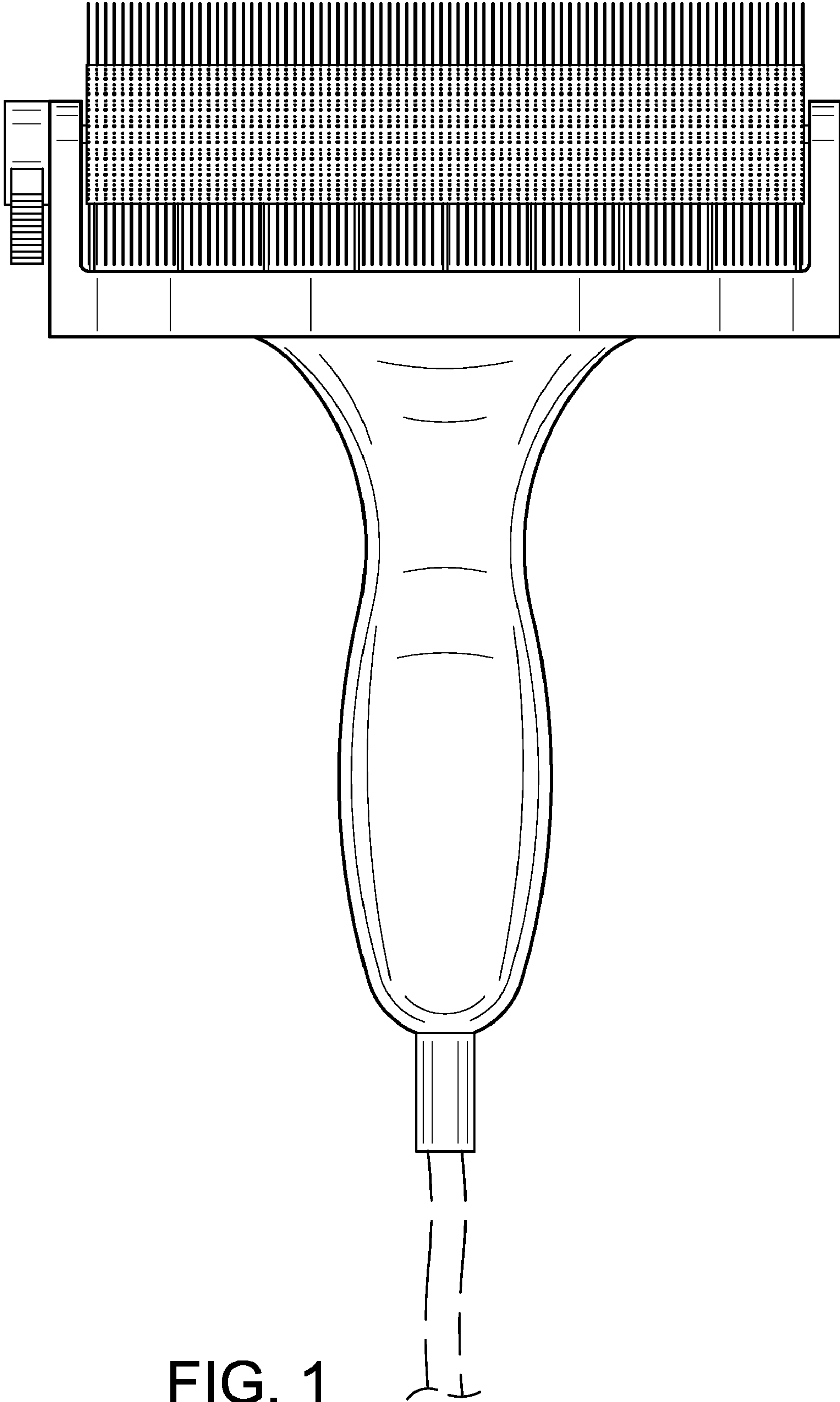


FIG. 1

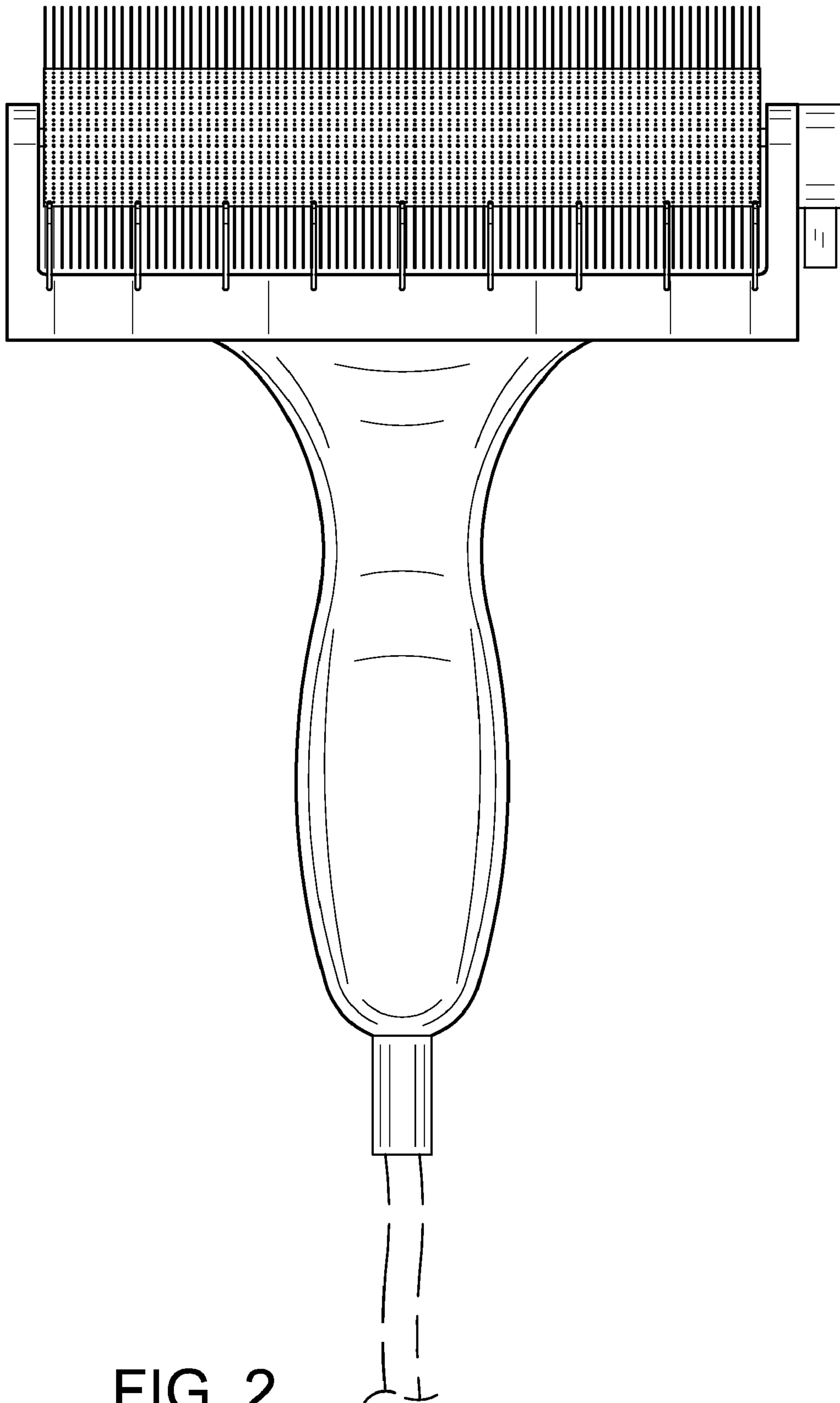


FIG. 2

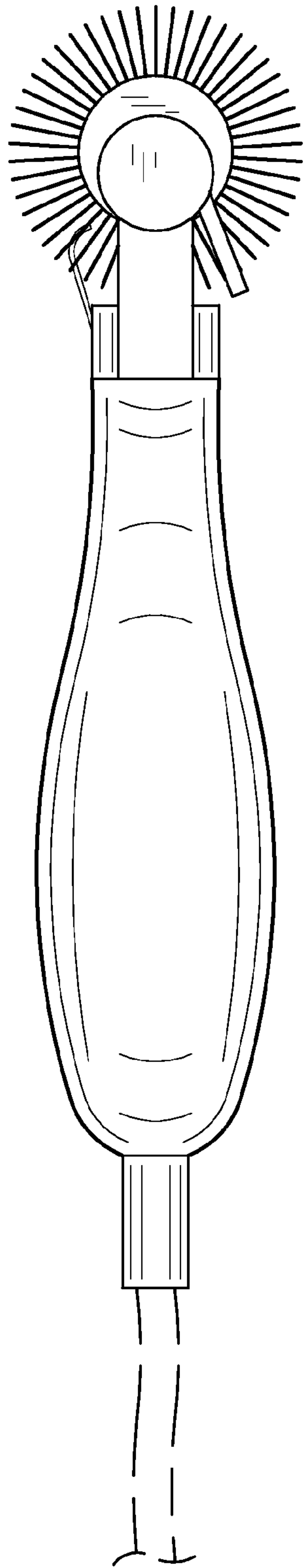


FIG. 3

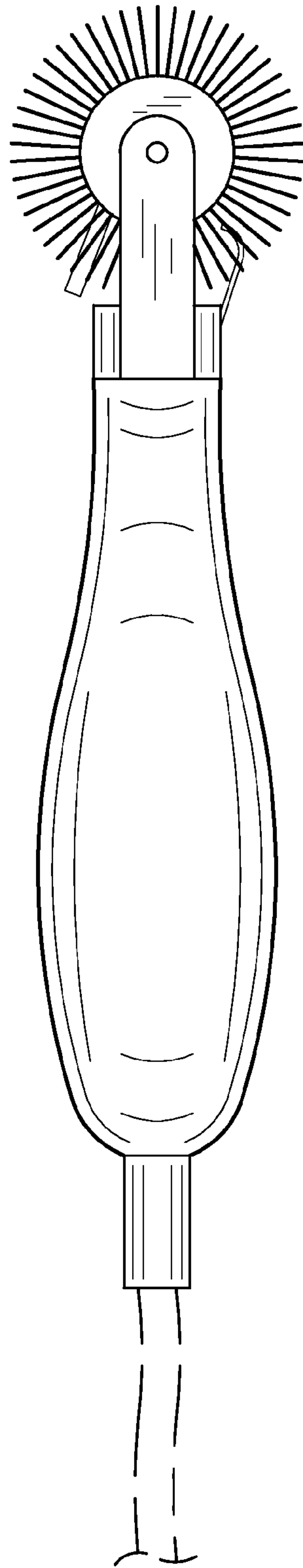


FIG. 4

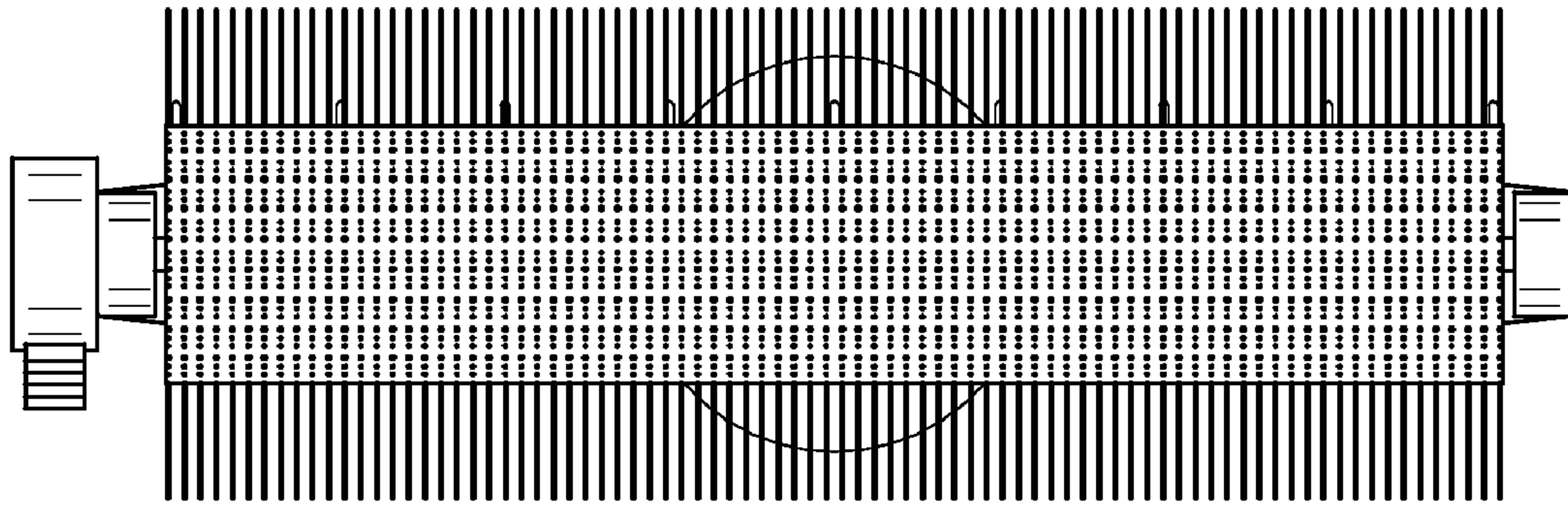


FIG. 5

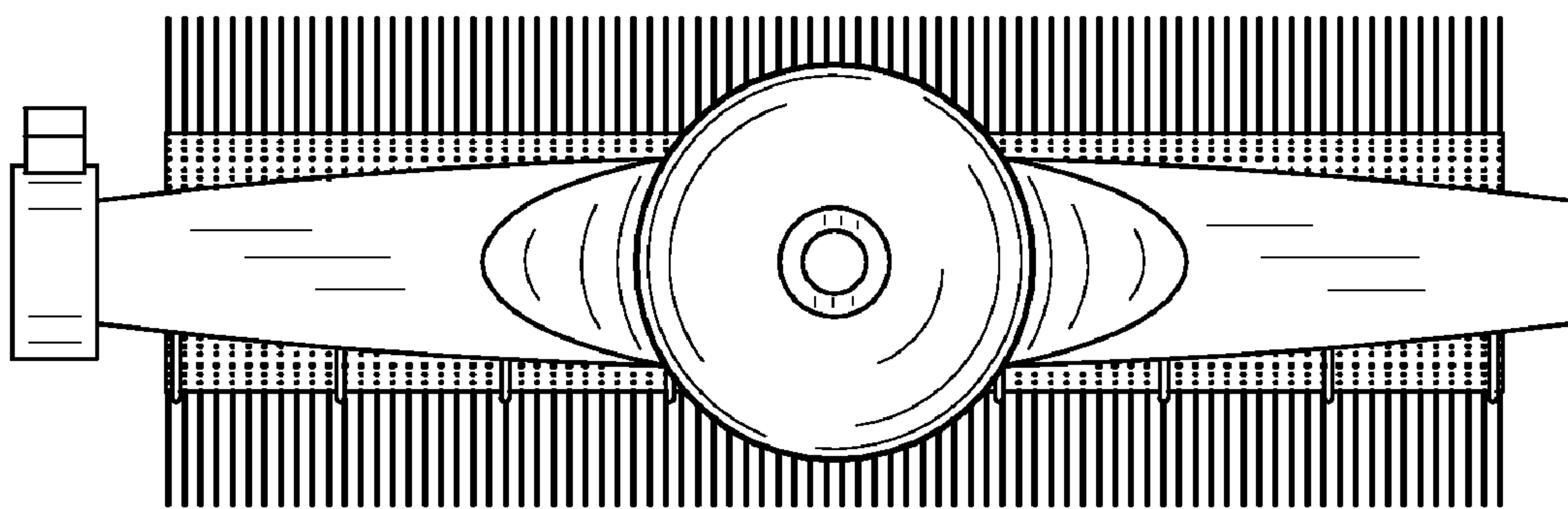


FIG. 6

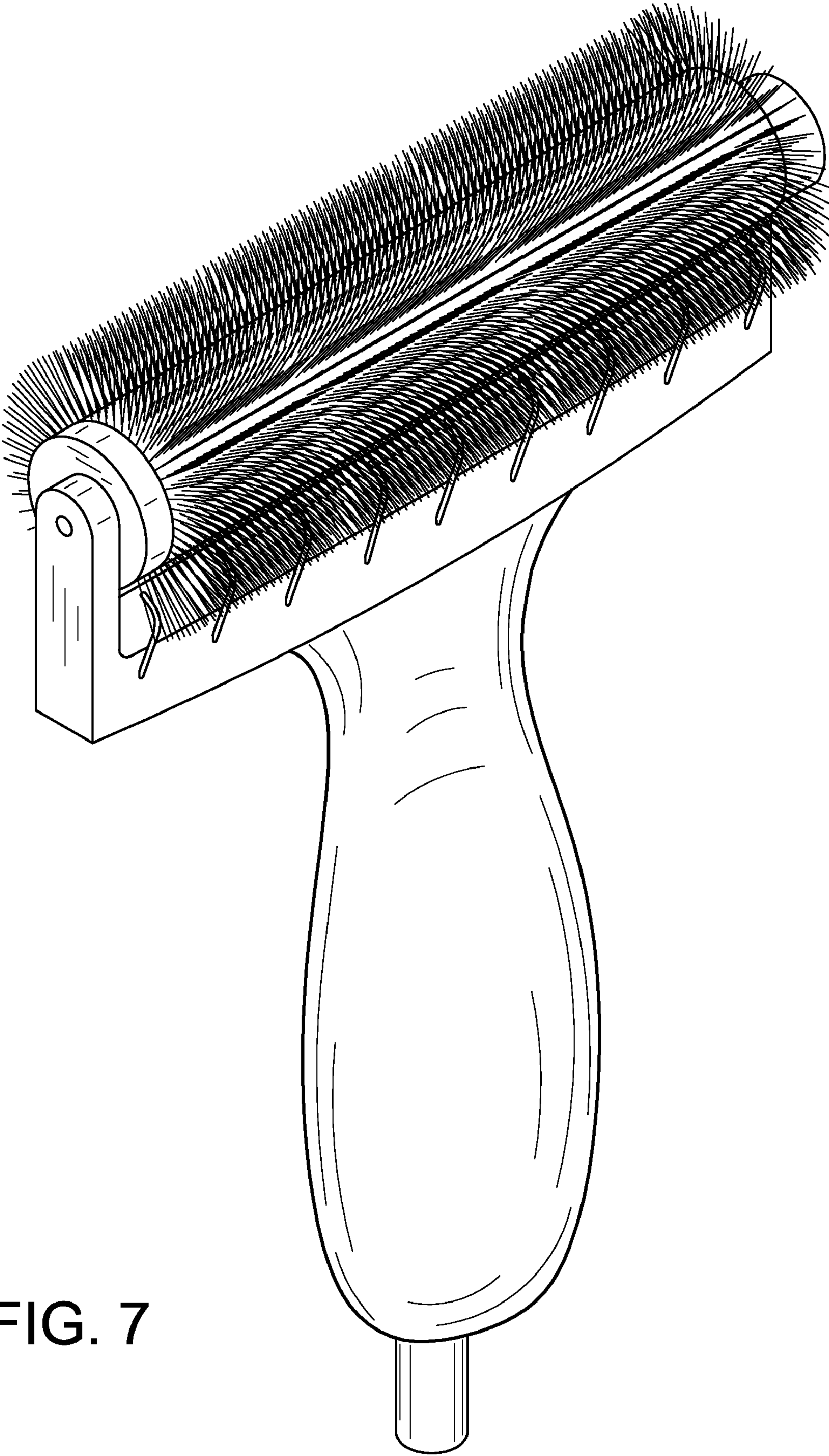


FIG. 7