



US00D627564S

(12) **United States Design Patent**
Chu et al.

(10) **Patent No.:** **US D627,564 S**

(45) **Date of Patent:** **** Nov. 23, 2010**

(54) **HANDLE**

(75) Inventors: **David Ching Chi Chu**, New York, NY (US); **Youjin Nam**, Hoboken, NJ (US)

(73) Assignee: **Tumi, Inc.**, New York, NY (US)

(**) Term: **14 Years**

(21) Appl. No.: **29/361,260**

(22) Filed: **May 7, 2010**

D415,008 S	10/1999	Wang
D416,684 S	11/1999	Nykoluk
D417,134 S	11/1999	Workman
6,000,509 A	12/1999	Chisholm
D425,705 S	5/2000	Santy et al.
D428,797 S	8/2000	Lin
D430,792 S	9/2000	Wang
D439,410 S	3/2001	Chang

(Continued)

Related U.S. Application Data

(60) Division of application No. 29/327,690, filed on Nov. 11, 2008, now Pat. No. Des. 617,559, which is a continuation-in-part of application No. 29/320,371, filed on Jun. 25, 2008, now abandoned.

(51) **LOC (9) Cl.** **03-01**

(52) **U.S. Cl.** **D3/318**

(58) **Field of Classification Search** D3/318, D3/279, 282, 324, 276, 289; D8/302, 306, D8/316, 317, 318; 190/18 A, 110, 109, 111, 190/112-115; 16/110.1, 110.3, 114.1, 45
See application file for complete search history.

(56) **References Cited**

U.S. PATENT DOCUMENTS

3,084,771 A	4/1963	Davis	
3,284,864 A	11/1966	Howell	
D246,426 S *	11/1977	Ridgway et al.	D8/318
4,364,150 A *	12/1982	Remington	16/409
D320,769 S	10/1991	Komuro	
D335,810 S *	5/1993	Asien	D8/306
D374,773 S	10/1996	Domotor	
D375,202 S	11/1996	Vermillion et al.	
D394,551 S	5/1998	Decoster	

OTHER PUBLICATIONS

U.S. Appl. No. 29/320,371, filed Jun. 25, 2008.

(Continued)

Primary Examiner—Holly H Baynham
Assistant Examiner—Sheryl Lane
(74) *Attorney, Agent, or Firm*—Baker Botts LLP

(57) **CLAIM**

The ornamental design for a handle, as shown and described.

DESCRIPTION

FIG. 1 is a perspective view of the handle.
FIG. 2 is a front view of the handle of FIG. 1.
FIG. 3 is a rear view of the handle of FIG. 1.
FIG. 4 is a right side view of the handle of FIG. 1.
FIG. 5 is a left side view of the handle of FIG. 1.
FIG. 6 is a top view of the handle of FIG. 1; and,
FIG. 7 is a bottom view of the handle of FIG. 1.
The broken lines are provided for illustrative purposes only and form no part of the claimed design.

1 Claim, 6 Drawing Sheets



US D627,564 S

Page 2

U.S. PATENT DOCUMENTS

D440,046 S 4/2001 Kuo
D441,636 S 5/2001 Wang
D444,696 S 7/2001 Kuo
D447,929 S 9/2001 Chang
D472,713 S 4/2003 Lee
D474,597 S 5/2003 Nykoluk
D480,874 S 10/2003 Nykoluk
D485,681 S 1/2004 Fenton et al.
D487,348 S 3/2004 Fenton et al.
D489,531 S 5/2004 Oh
D490,246 S * 5/2004 Davis D3/318
D491,367 S 6/2004 Moon
D493,283 S 7/2004 Rada et al.
D494,763 S 8/2004 Fenton et al.
D497,480 S 10/2004 Drew et al.
D498,055 S 11/2004 Fenton
D498,056 S 11/2004 Moon
D503,536 S 4/2005 Rada et al.
D506,313 S 6/2005 Neumann
D507,112 S 7/2005 Fenton et al.
D507,113 S 7/2005 Nykoluk
D510,190 S 10/2005 Fenton et al.
D513,560 S 1/2006 Neumann
D528,301 S * 9/2006 Proot et al. D3/318
D535,100 S * 1/2007 Suppangig D3/283
D538,043 S 3/2007 Fenton et al.
D538,541 S 3/2007 Fenton et al.
7,195,322 B2 3/2007 Lin et al.
D539,543 S 4/2007 Wu
7,237,660 B2 7/2007 Wu
D554,372 S 11/2007 Scicluna et al.
D554,861 S 11/2007 Udall et al.
D570,601 S 6/2008 Drew et al.
7,404,240 B2 7/2008 Nedbal et al.
D575,512 S 8/2008 Moon
D575,957 S 9/2008 Scicluna et al.
D578,372 S * 10/2008 James et al. D8/316
D581,161 S 11/2008 Tong
D581,667 S 12/2008 Yeh
D590,154 S 4/2009 Hopwood et al.
D590,595 S 4/2009 Chu et al.
7,549,652 B2 6/2009 Wu
D596,400 S 7/2009 Chu et al.

D600,095 S * 9/2009 Mattson et al. D8/317

OTHER PUBLICATIONS

U.S. Appl. No. 29/327,682, filed Nov. 11, 2008.
U.S. Appl. No. 29/327,684, filed Nov. 11, 2008.
U.S. Appl. No. 29/327,685, filed Nov. 11, 2008.
U.S. Appl. No. 29/327,687, filed Nov. 11, 2008.
U.S. Appl. No. 29/327,689, filed Nov. 11, 2008.
U.S. Appl. No. 29/327,690, filed Nov. 11, 2008.
U.S. Appl. No. 29/327,691, filed Nov. 11, 2008.
U.S. Appl. No. 29/327,694, filed Nov. 11, 2008.
U.S. Appl. No. 29/357,756, filed Mar. 17, 2010.
U.S. Appl. No. 29/327,685, Notice of Allowance mailed on Sep. 4, 2009.
U.S. Appl. No. 29/327,691, Notice of Allowance mailed on Sep. 8, 2009.
U.S. Appl. No. 29/327,687, Notice of Allowance mailed on Dec. 17, 2009.
U.S. Appl. No. 29/327,687, Amendment after Notice of Allowance filed Oct. 29, 2009.
U.S. Appl. No. 29/327,687, Notice of Allowance mailed on Sep. 4, 2009.
U.S. Appl. No. 29/327,694, Notice of Allowance mailed on Dec. 3, 2009.
U.S. Appl. No. 29/327,694, Notice of Allowance mailed on Nov. 4, 2009.
U.S. Appl. No. 29/327,682, Notice of Allowance mailed Dec. 2, 2009.
U.S. Appl. No. 29/327,682, Notice of Allowance mailed Sep. 8, 2009.
U.S. Appl. No. 29/327,689, Notice of Allowance mailed Dec. 2, 2009.
U.S. Appl. No. 29/327,689, Notice of Allowance mailed Sep. 4, 2009.
U.S. Appl. No. 29/320,371, Office Action re: Ex Parte Quayle Action mailed Jan. 28, 2009.
U.S. Appl. No. 29/327,684, Amendment after Notice of Allowance filed on Mar. 9, 2010.
U.S. Appl. No. 29/327,684, Notice of Allowance mailed on Feb. 8, 2010.
U.S. Appl. No. 29/327,690, Amendment after Notice of Allowance filed May 7, 2010.
U.S. Appl. No. 29/327,690, Notice of Allowance mailed on Feb. 8, 2010.
Tumi "design in motion" product catalog from 1999.
First Tumi product catalog from 2001.
Second Tumi product catalog from 2001.
Tumi Business Collections product brochure (1999-2001).
Tumi Travel Collections product brochure (1999-2001).
* cited by examiner



FIG. 1

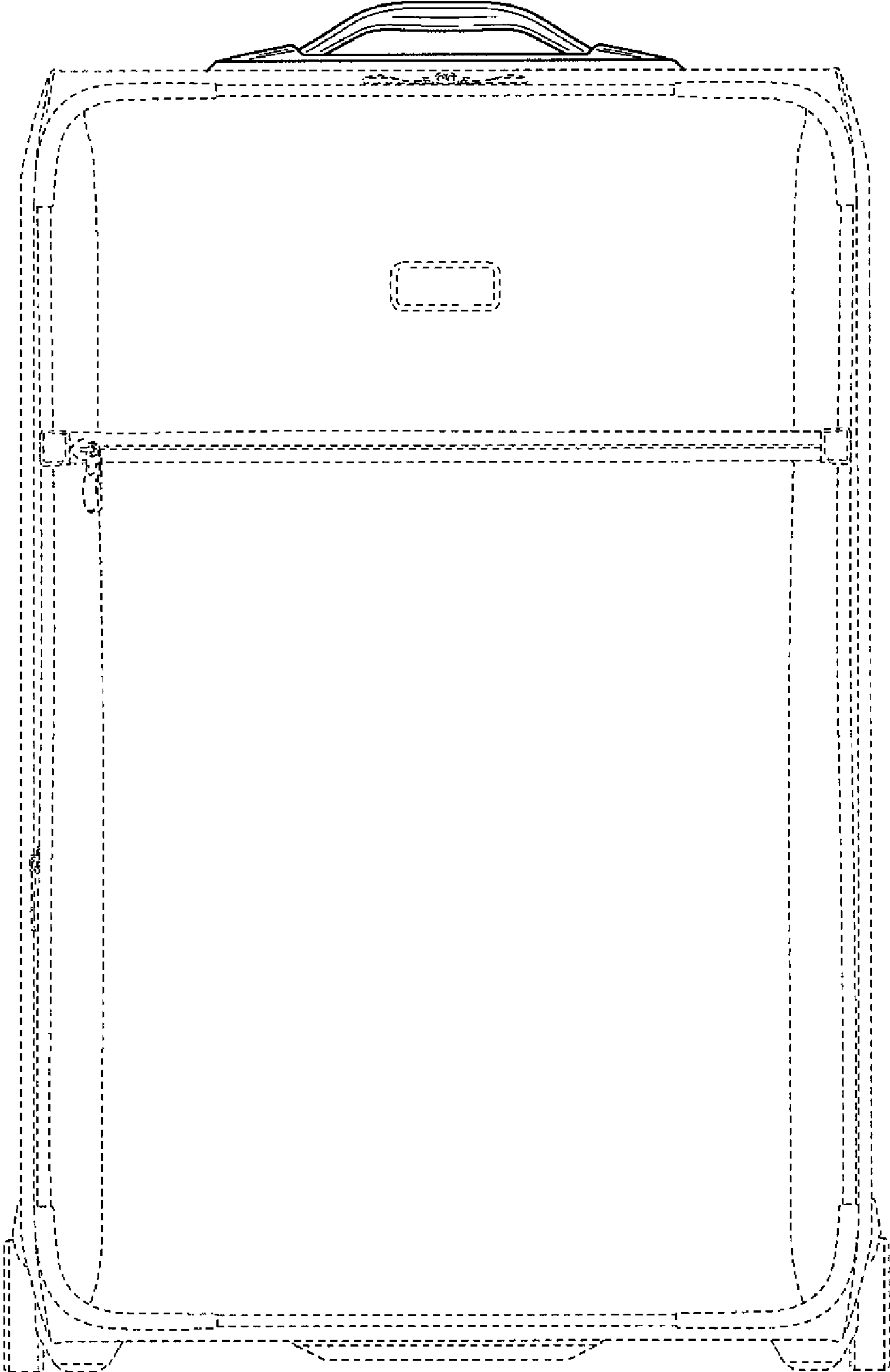


FIG. 2

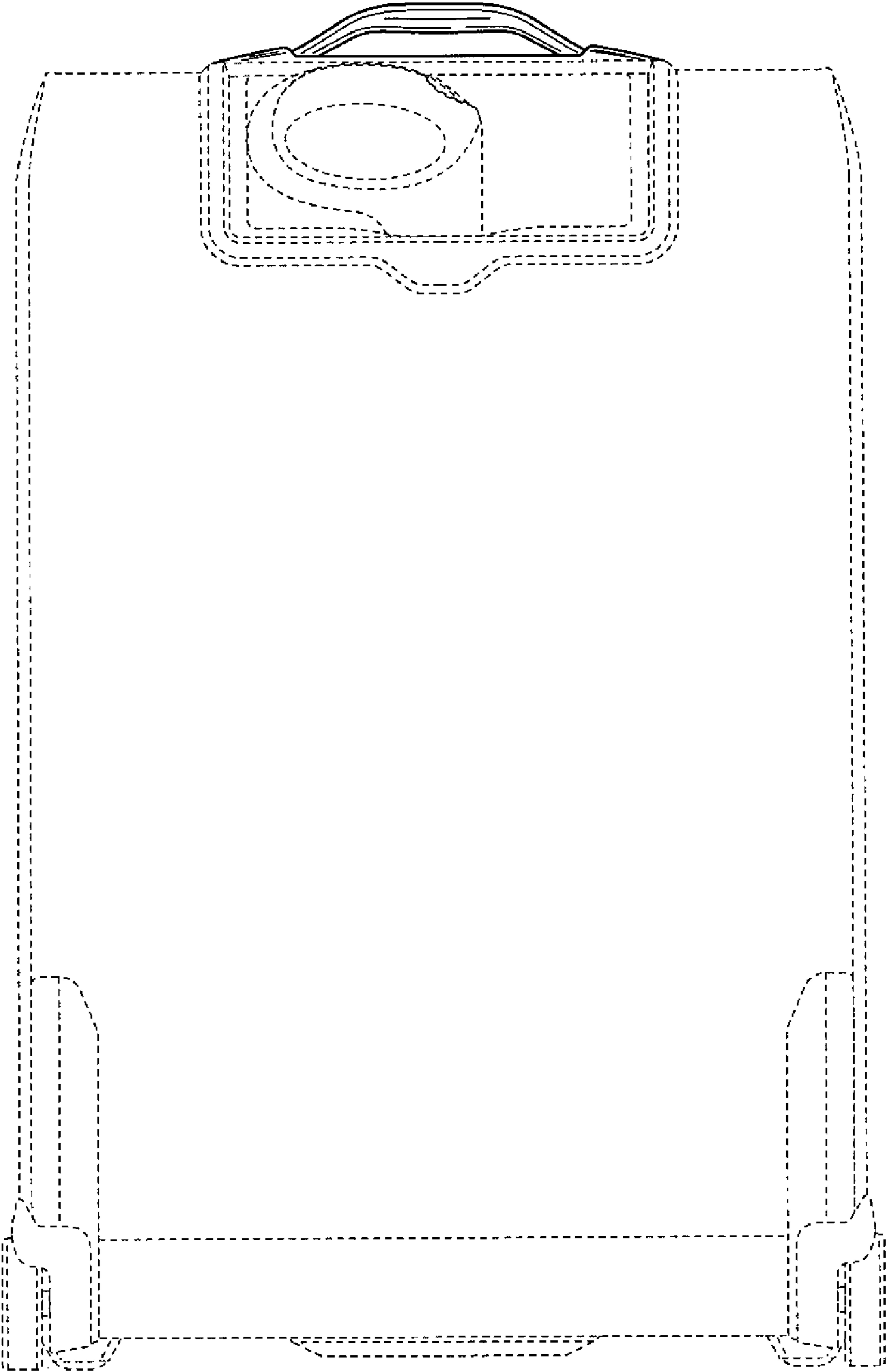


FIG. 3

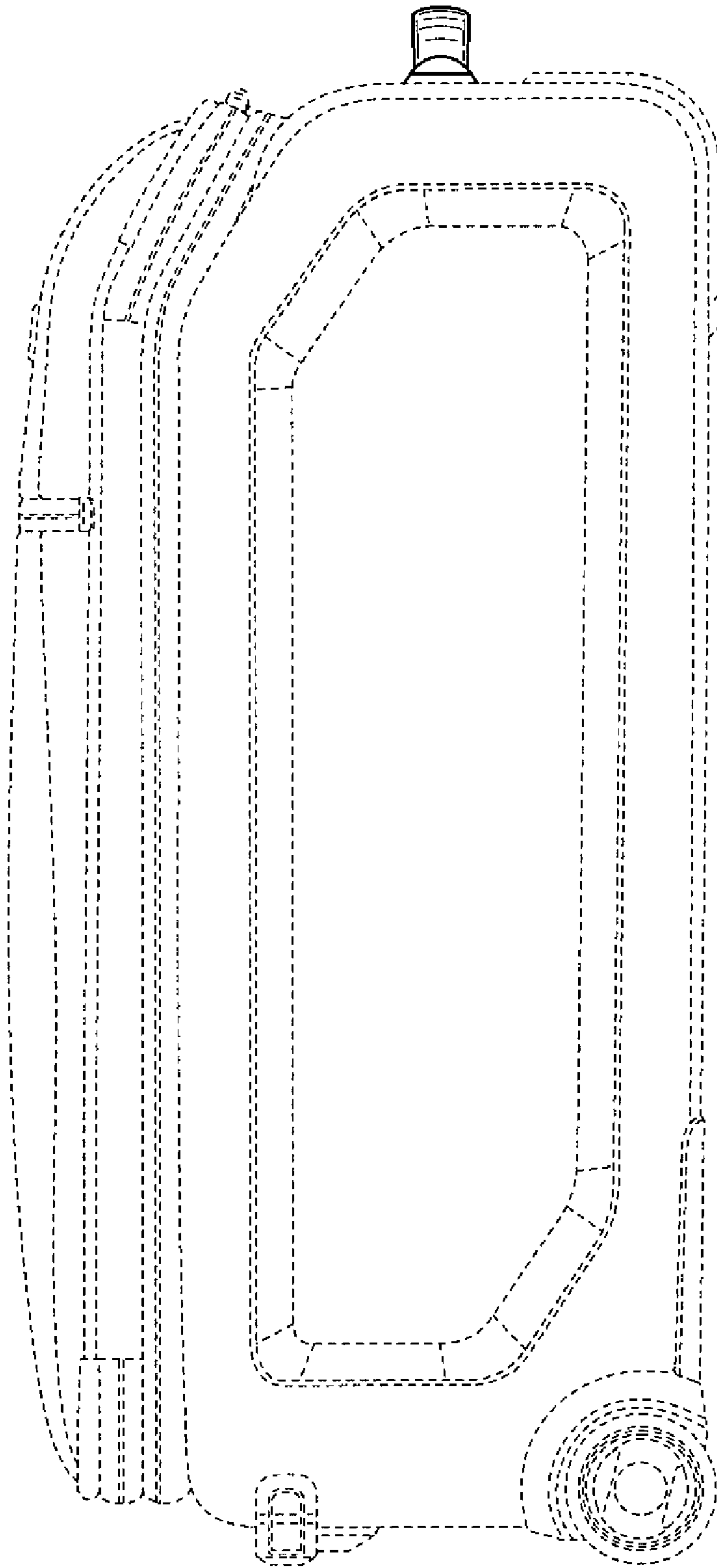


FIG. 4

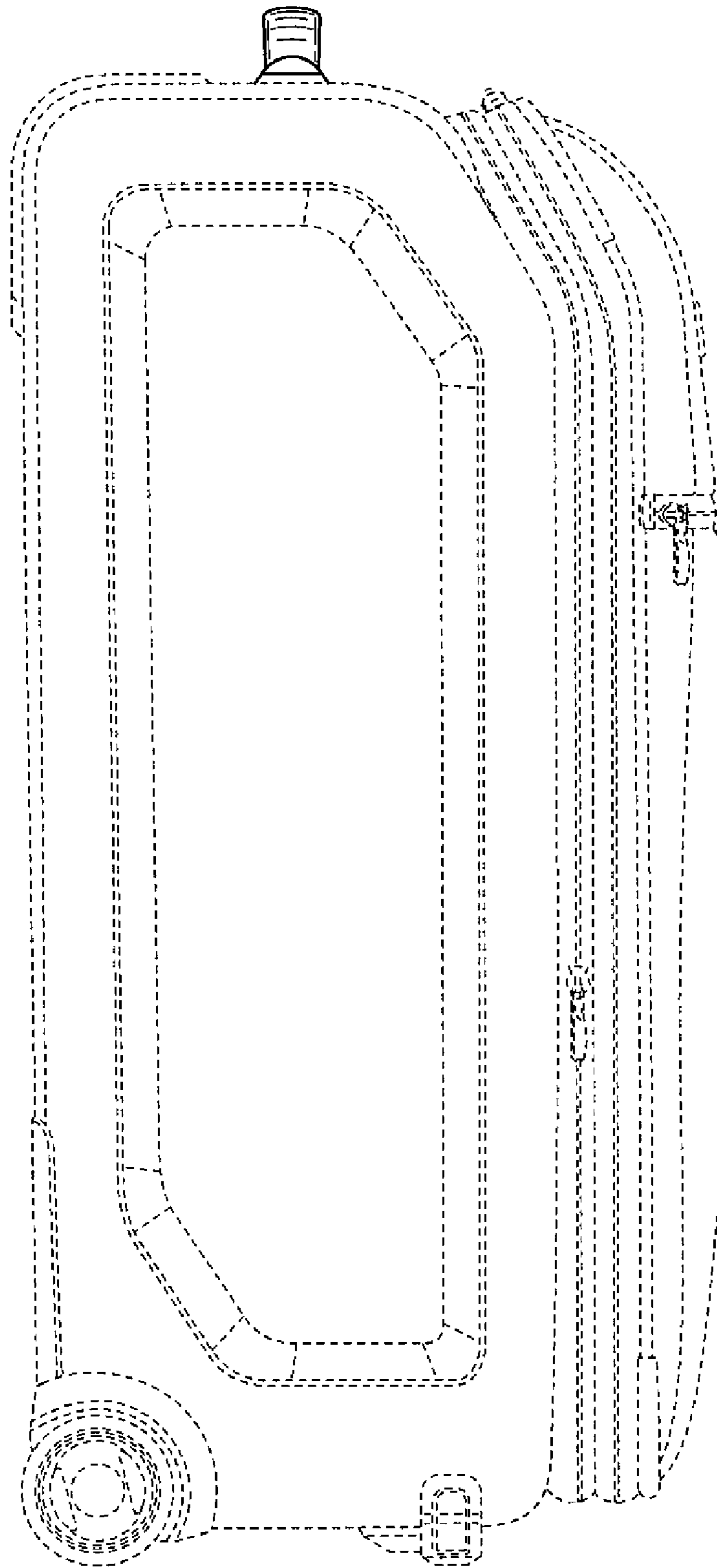


FIG. 5

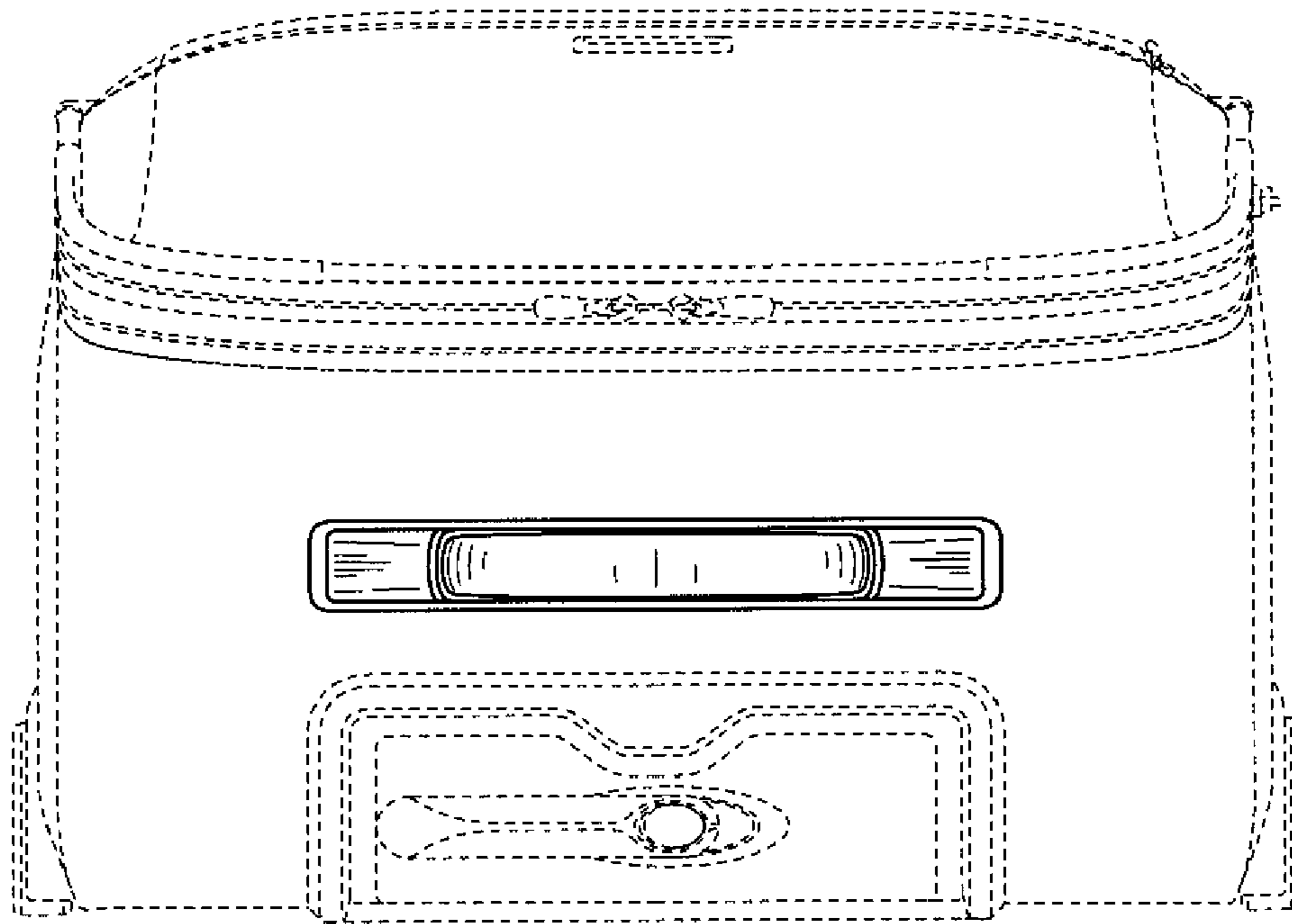


FIG. 6

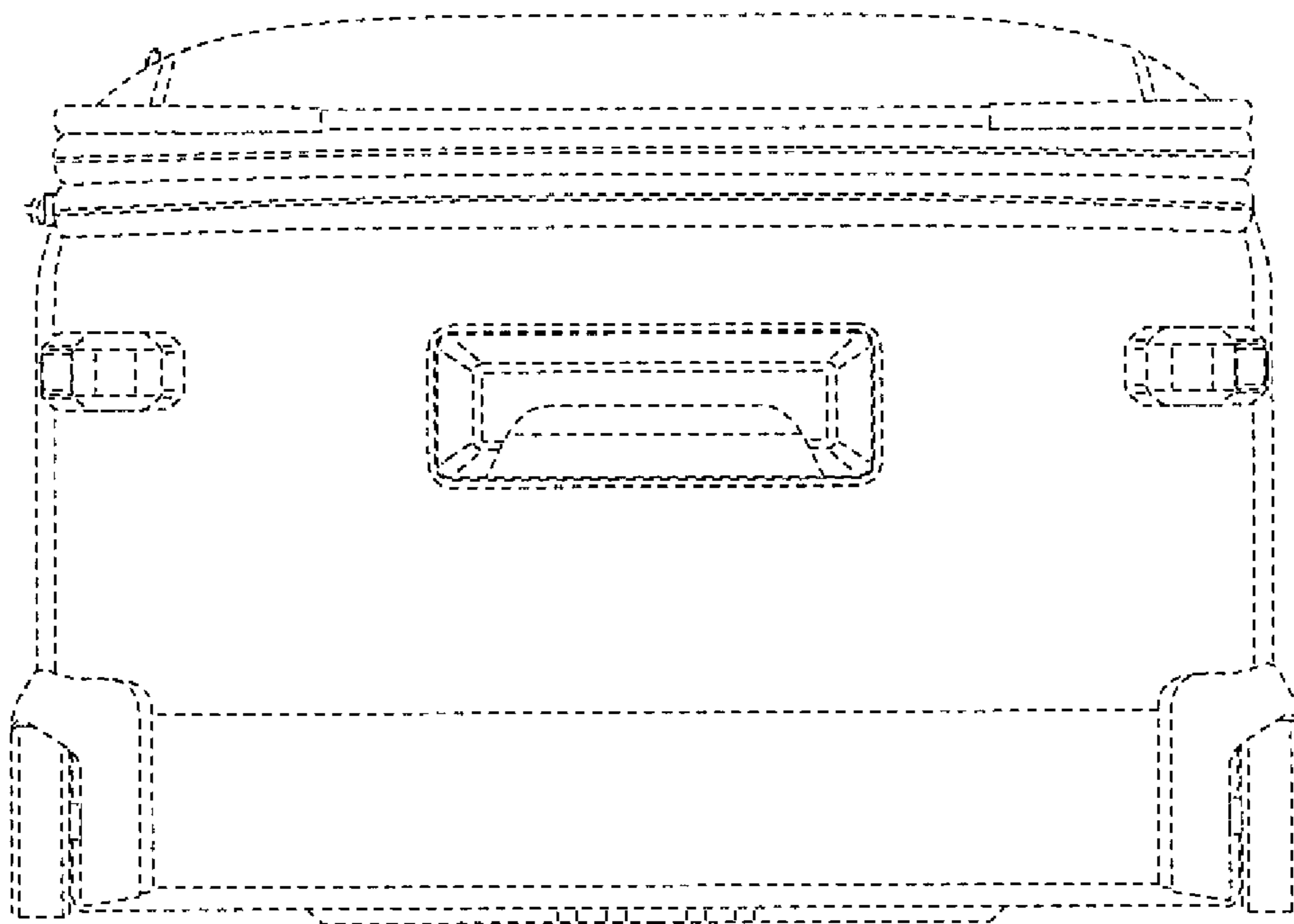


FIG. 7