



US00D627554S

(12) **United States Design Patent**  
**Elder**

(10) **Patent No.:** **US D627,554 S**  
(45) **Date of Patent:** **\*\* Nov. 23, 2010**

(54) **UMBRELLA SHELTER**

(76) Inventor: **James Christopher Elder**, 1011  
Magnolia Dr., Carrollton, TX (US)  
75007

(\*\*) Term: **14 Years**

(21) Appl. No.: **29/358,756**

(22) Filed: **Mar. 31, 2010**

5,979,434 A	11/1999	Bilanzich
D419,759 S	2/2000	Goudarzi
6,039,063 A	3/2000	Lin et al.
6,085,768 A	7/2000	Arlotta
6,138,700 A	10/2000	Stoddart
6,453,922 B1	9/2002	Dufort
6,698,440 B2	3/2004	Beyer et al.
6,866,053 B2	3/2005	You
D516,294 S *	3/2006	Olson et al. .... D3/5
D521,229 S	5/2006	Mariano

(Continued)

**Related U.S. Application Data**

(63) Continuation of application No. 29/338,325, filed on Jun. 9, 2009, now Pat. No. Des. 623,844, and a continuation of application No. 12/466,426, filed on May 15, 2009.

(51) **LOC (9) Cl.** ..... **03-03**

(52) **U.S. Cl.** ..... **D3/5**

(58) **Field of Classification Search** ..... D3/5,  
D3/10, 12, 13, 16, 17; 135/15.1, 23, 220.1,  
135/20.3, 25.31, 33.7, 39, 40, 25.01, 21,  
135/16, 44

See application file for complete search history.

(56) **References Cited**

**U.S. PATENT DOCUMENTS**

1,581,843 A	4/1926	Little, Sr.
1,774,909 A	9/1930	Wells
2,024,105 A	12/1935	Landman
2,934,076 A	4/1960	Fulke
3,456,661 A	7/1969	Farley
4,086,931 A	5/1978	Hall
4,449,542 A	5/1984	McSwain et al.
4,499,133 A	2/1985	Prince
D294,538 S	3/1988	De Marr
4,821,353 A	4/1989	Neri
4,958,652 A	9/1990	Maya
5,505,221 A *	4/1996	Gao ..... 135/20.1
5,551,464 A	9/1996	Kelly
5,692,720 A	12/1997	Griggs
D390,696 S	2/1998	Bauman
5,806,547 A	9/1998	Derlinga

**FOREIGN PATENT DOCUMENTS**

JP 2000093219 A 4/2000

(Continued)

**OTHER PUBLICATIONS**

International Search Report mailed Jan. 4, 2010 in International Application No. PCT/US2009/046607.

*Primary Examiner*—Doris Clark

(74) *Attorney, Agent, or Firm*—Kenneth H. Obeiner; Perkins Coie LLP

(57) **CLAIM**

The ornamental design for an umbrella shelter, as shown and described.

**DESCRIPTION**

FIG. 1 is a perspective view showing my new design.

FIG. 2 is a top view.

FIG. 3 is a bottom view.

FIG. 4 is a rear view.

FIG. 5 is a front view.

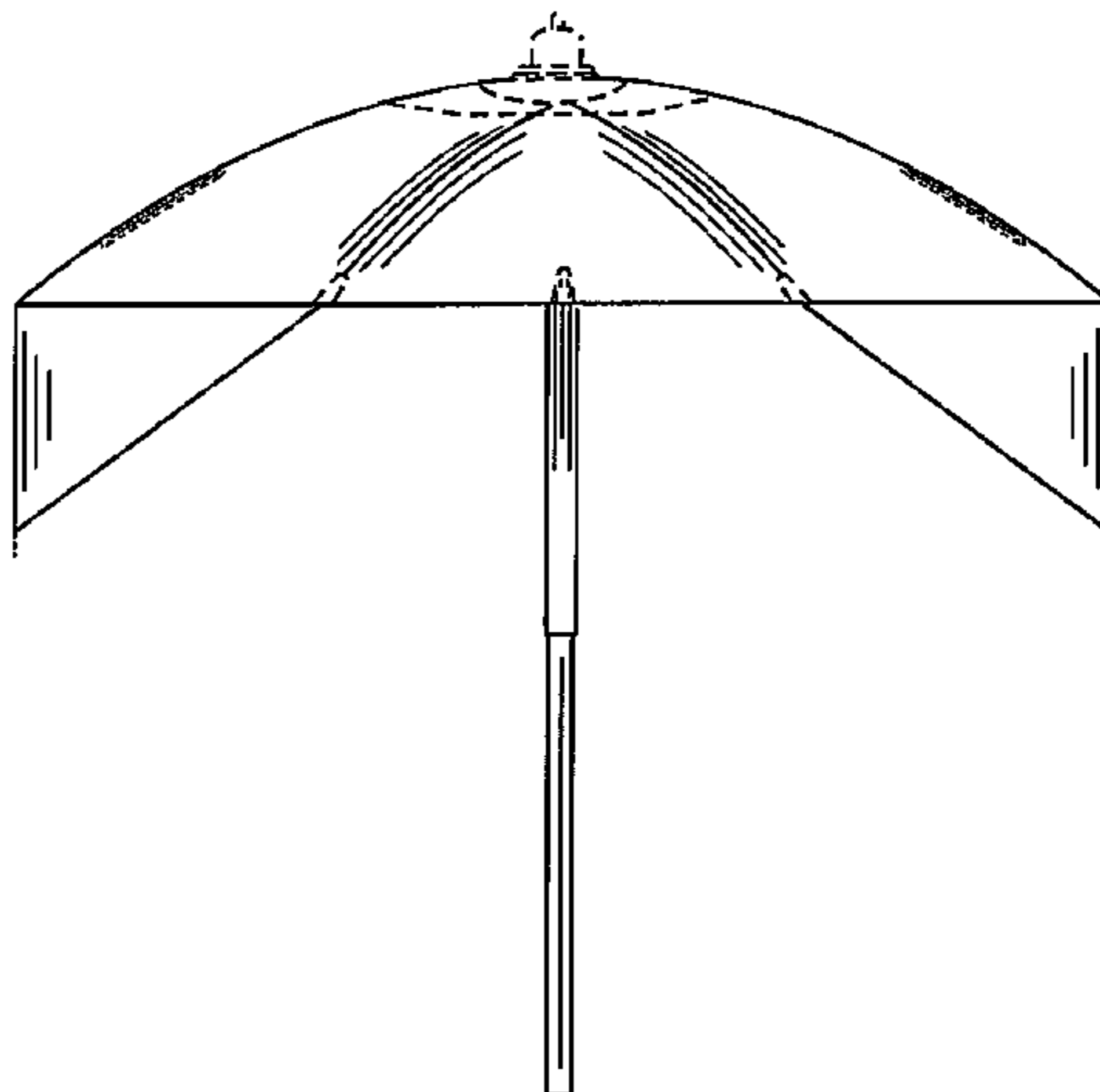
FIG. 6 is a left side view; and,

FIG. 7 is a right side view.

The shaded areas in FIG. 3 are screen mesh and are not claimed.

The broken lines are for illustrative purposes only and form no part of the claimed design.

**1 Claim, 7 Drawing Sheets**



# US D627,554 S

Page 2

---

## U.S. PATENT DOCUMENTS

7,240,683 B2 7/2007 Zutich  
7,316,239 B2 1/2008 Yang  
D572,463 S \* 7/2008 Richardson ..... D3/5  
7,493,908 B2 2/2009 Carter et al.  
2004/0020522 A1 2/2004 James  
2005/0011134 A1 1/2005 Boltan et al.

2009/0007947 A1 1/2009 Spangenberg  
2009/0301531 A1 12/2009 Elder

## FOREIGN PATENT DOCUMENTS

JP 2003-033211 A 2/2003

\* cited by examiner

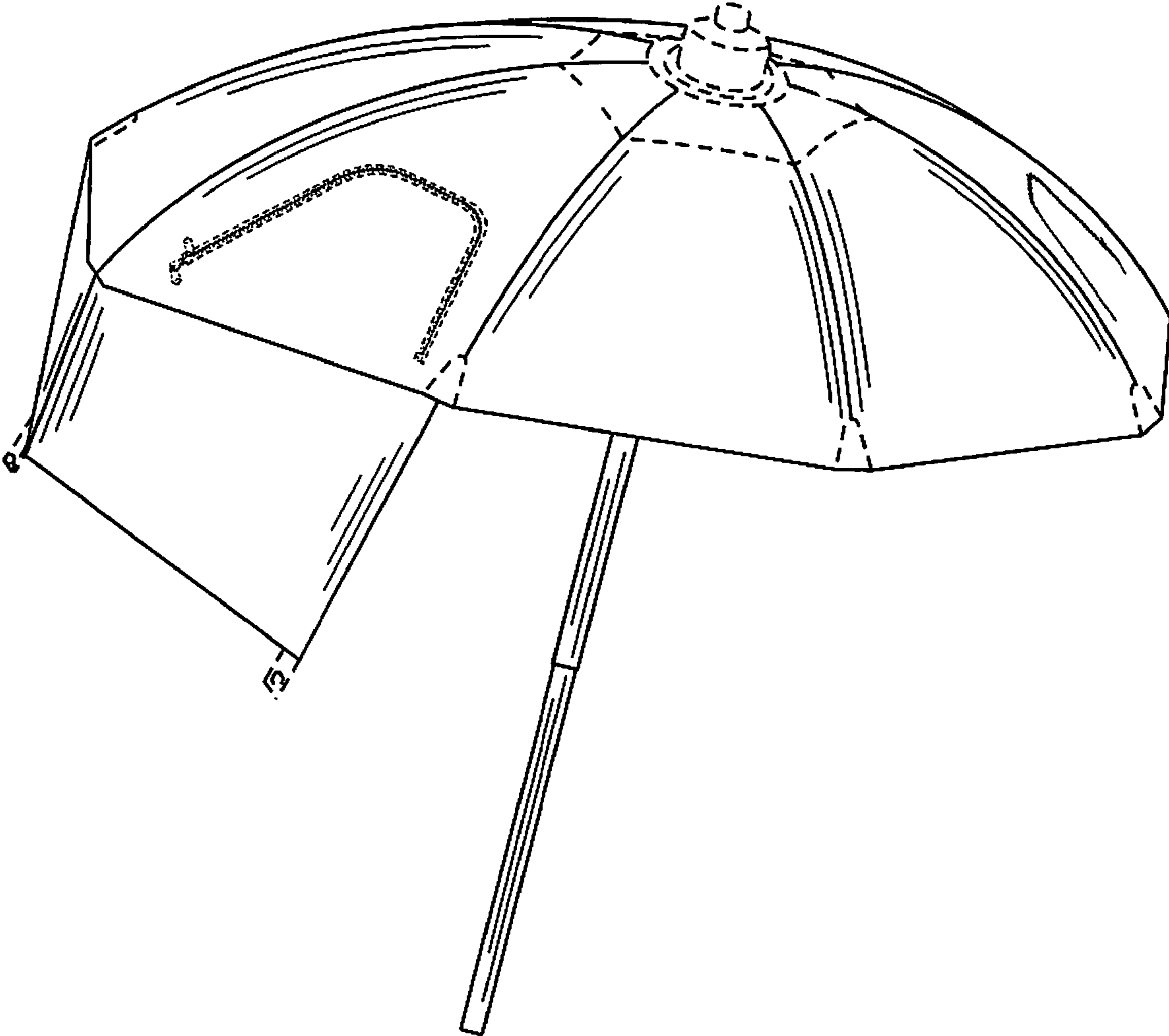


FIG. 1

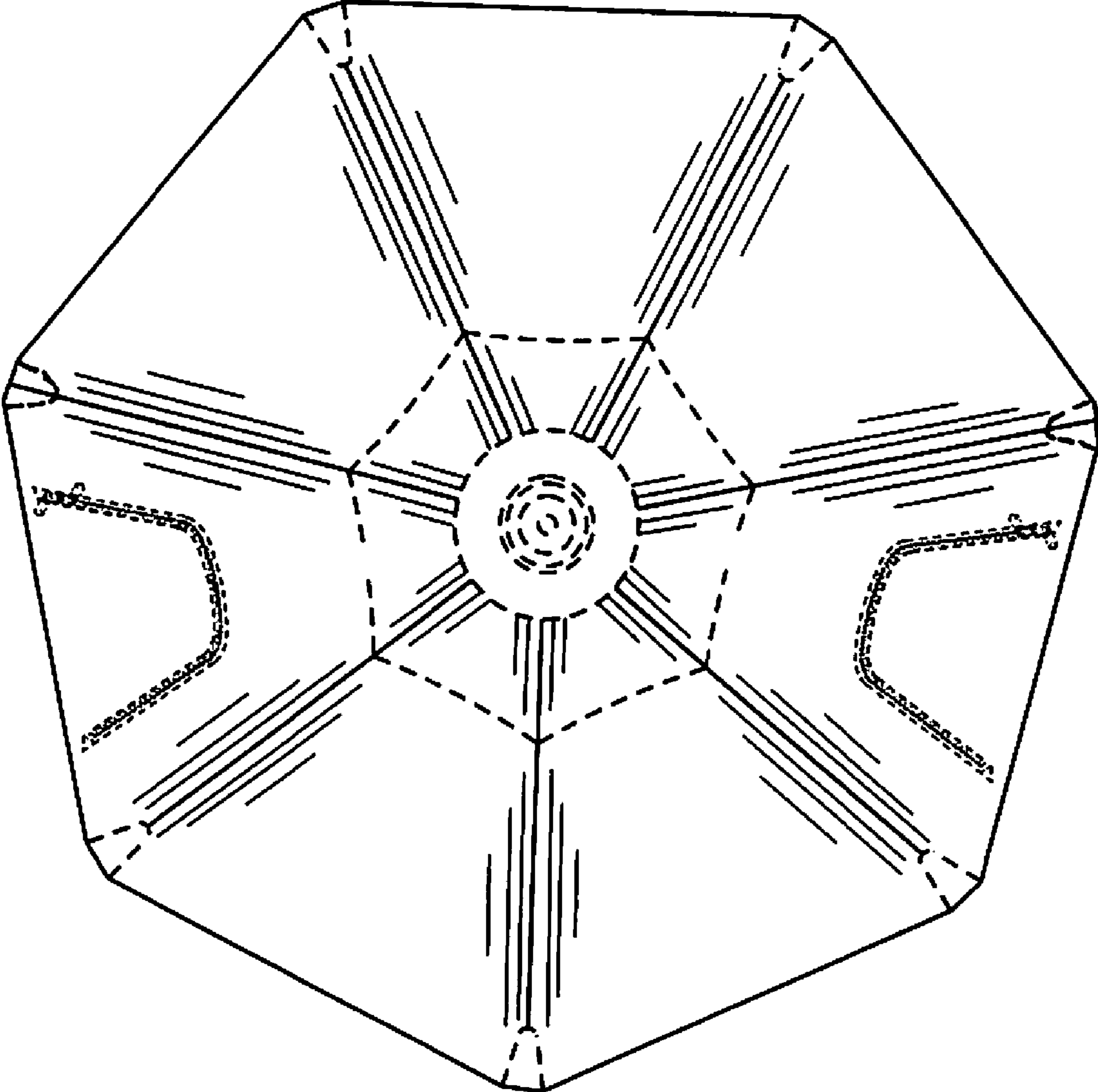


FIG. 2

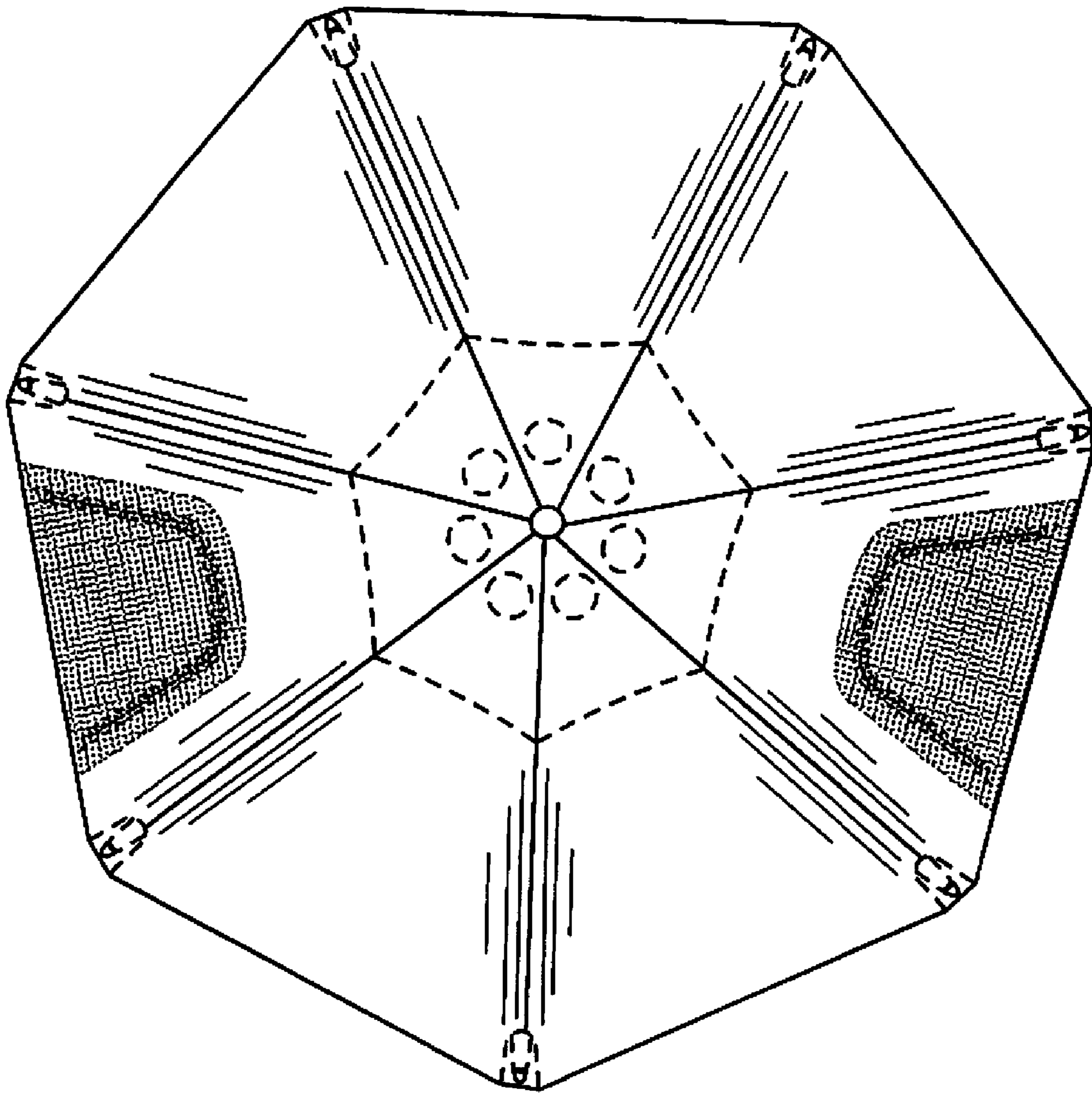


FIG. 3

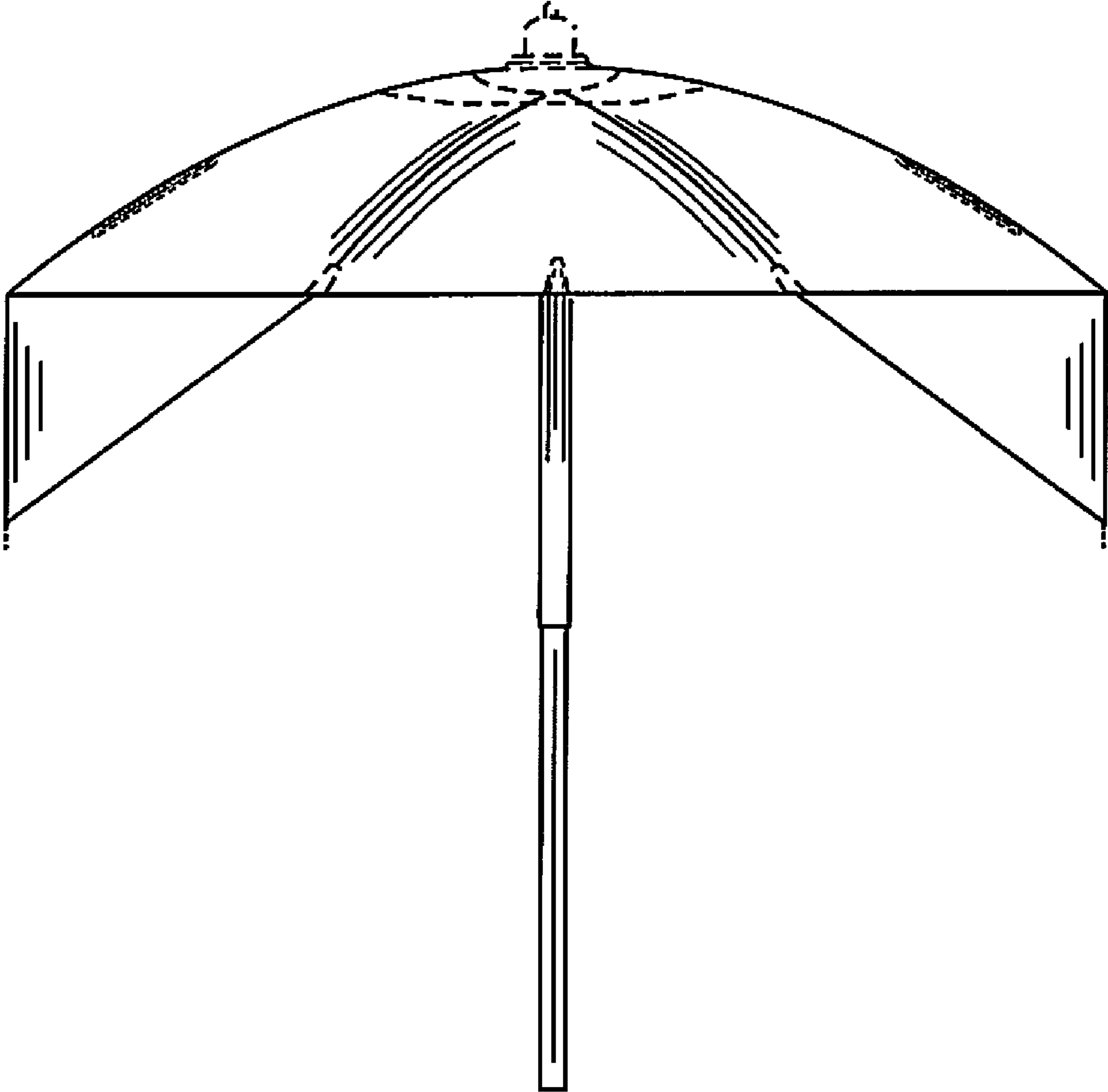


FIG. 4



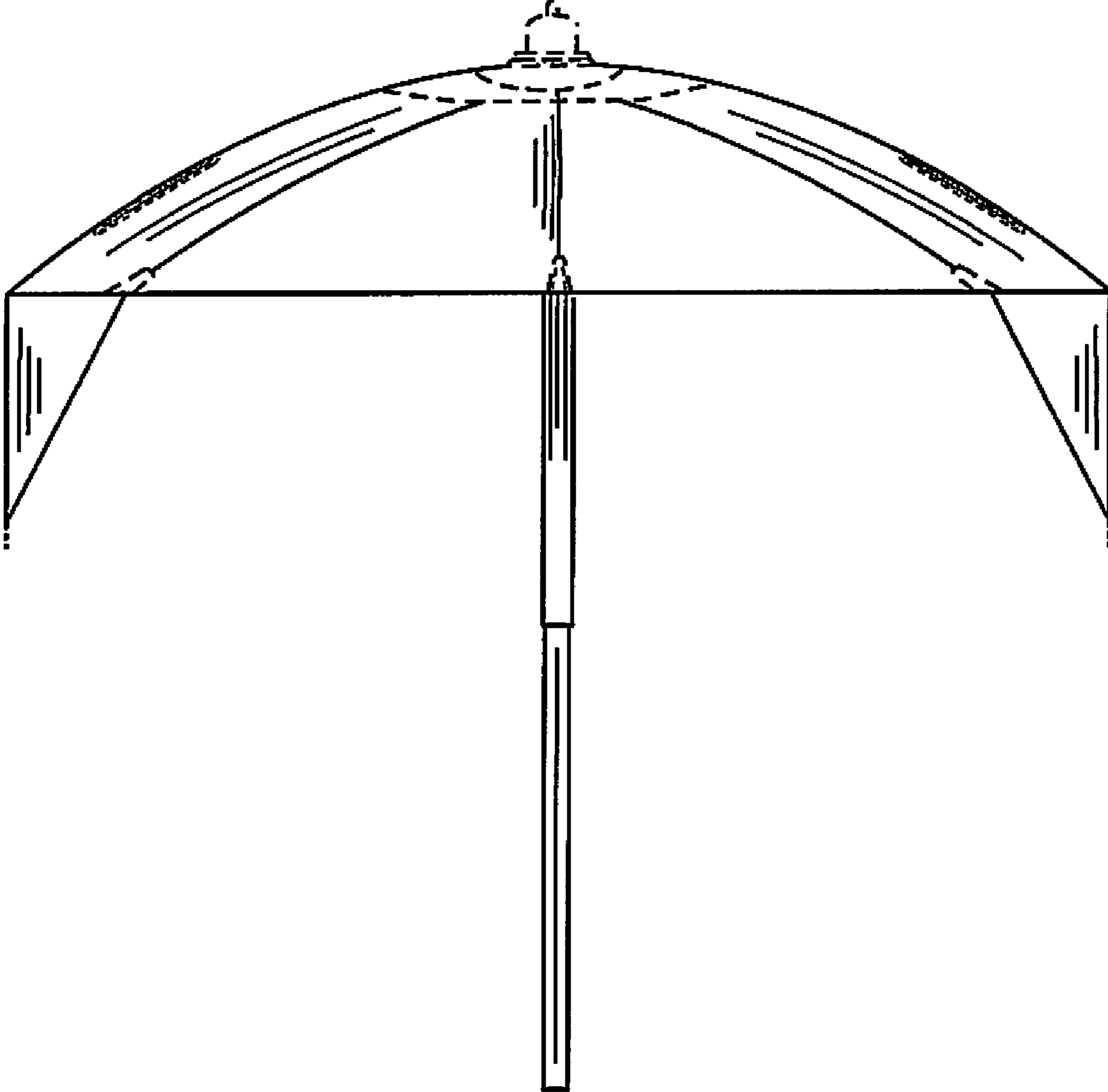


FIG. 5

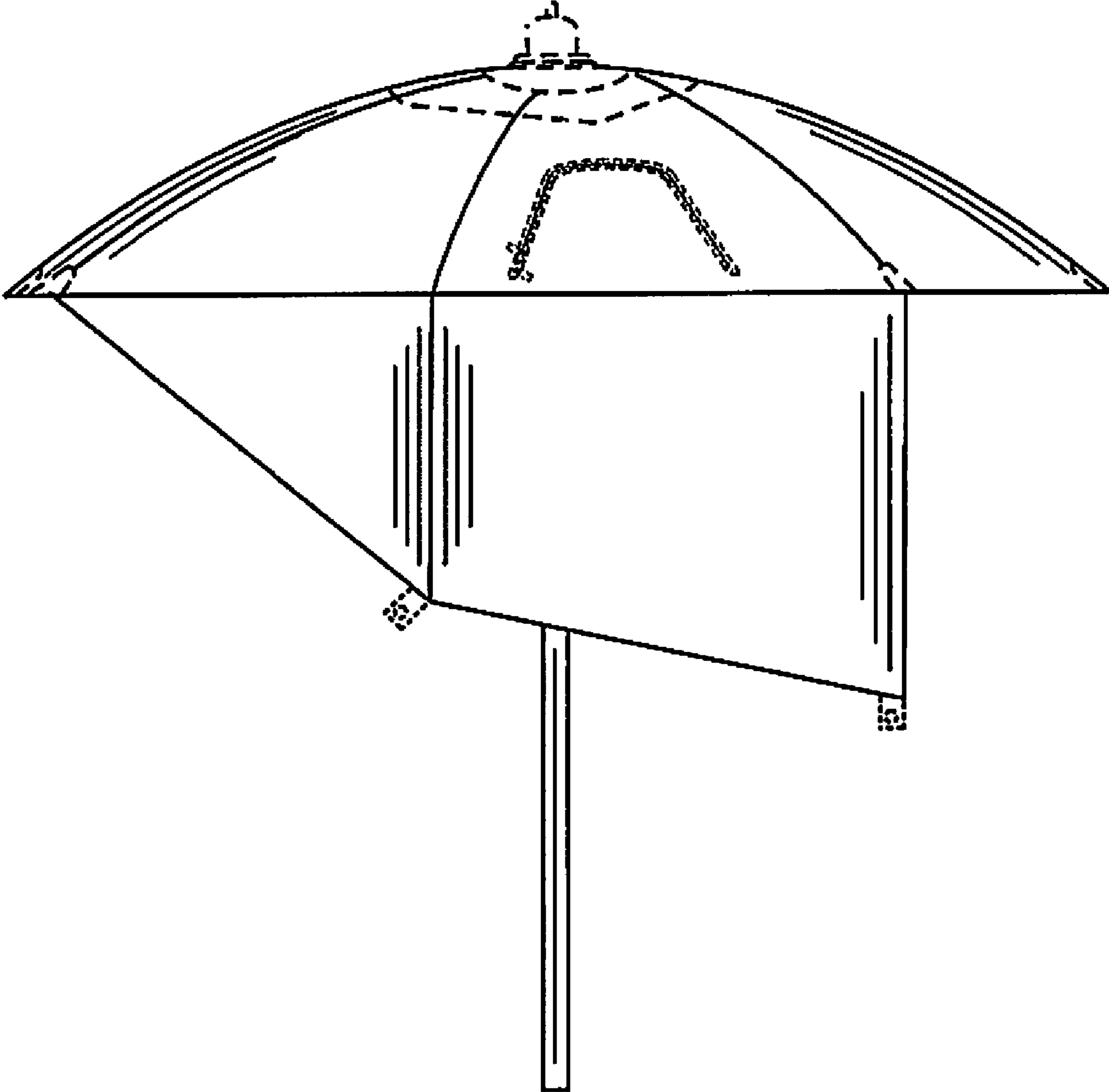


FIG. 6



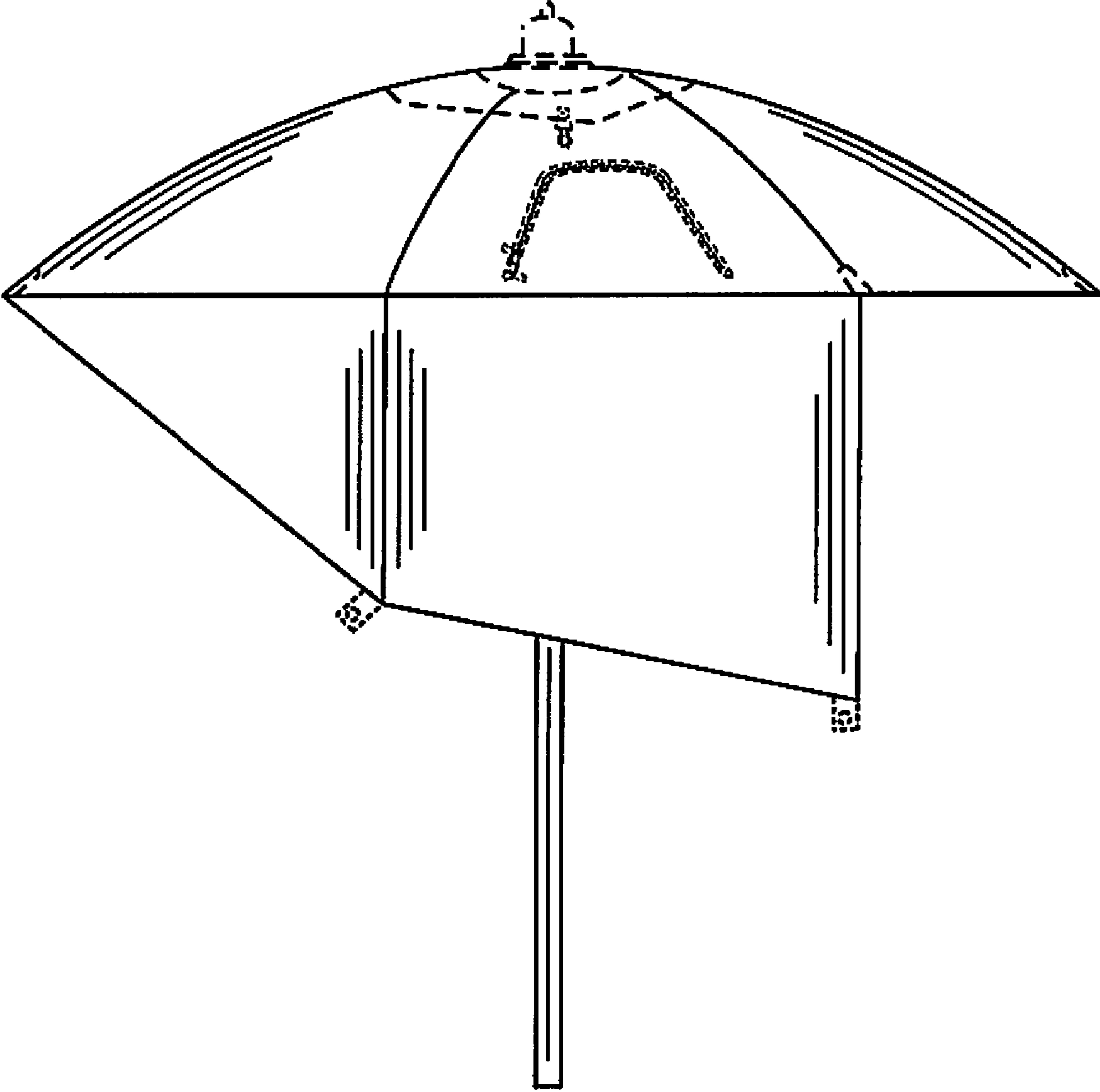


FIG. 7