



US00D627553S

(12) **United States Design Patent**
Elder

(10) **Patent No.:** **US D627,553 S**

(45) **Date of Patent:** **** Nov. 23, 2010**

(54) **UMBRELLA SHELTER**

(76) Inventor: **James Christopher Elder**, 1011
Magnolia Dr., Carrollton, TX (US)
75007

(**) Term: **14 Years**

(21) Appl. No.: **29/358,750**

(22) Filed: **Mar. 31, 2010**

5,979,434 A	11/1999	Bilanzich
D419,759 S	2/2000	Goudarzi
6,039,063 A	3/2000	Lin et al.
6,085,768 A	7/2000	Arlotta
6,138,700 A	10/2000	Stoddart
6,453,922 B1	9/2002	Dufort
6,698,440 B2	3/2004	Beyer et al.
6,866,053 B2	3/2005	You

(Continued)

FOREIGN PATENT DOCUMENTS

JP 2000093219 A 4/2000

(Continued)

OTHER PUBLICATIONS

International Search Report mailed Jan. 4, 2010 in International Application No. PCT/US2009/046607.

Primary Examiner—Doris Clark
(74) *Attorney, Agent, or Firm*—Kenneth H. Ohriner; Perkins Coie LLP

Related U.S. Application Data

(63) Continuation of application No. 29/338,325, filed on Jun. 9, 2009, now Pat. No. Des. 623,844, and a continuation of application No. 12/466,426, filed on May 15, 2009.

(51) **LOC (9) Cl.** **03-03**
(52) **U.S. Cl.** **D3/5**
(58) **Field of Classification Search** D3/5,
D3/10, 12, 13, 16, 17; 135/15.1, 23, 20.1,
135/20.3, 25.31, 33.7, 39, 40, 25.01, 21,
135/16, 44

See application file for complete search history.

(57) **CLAIM**

The ornamental design for an umbrella shelter, as shown and described.

(56) **References Cited**

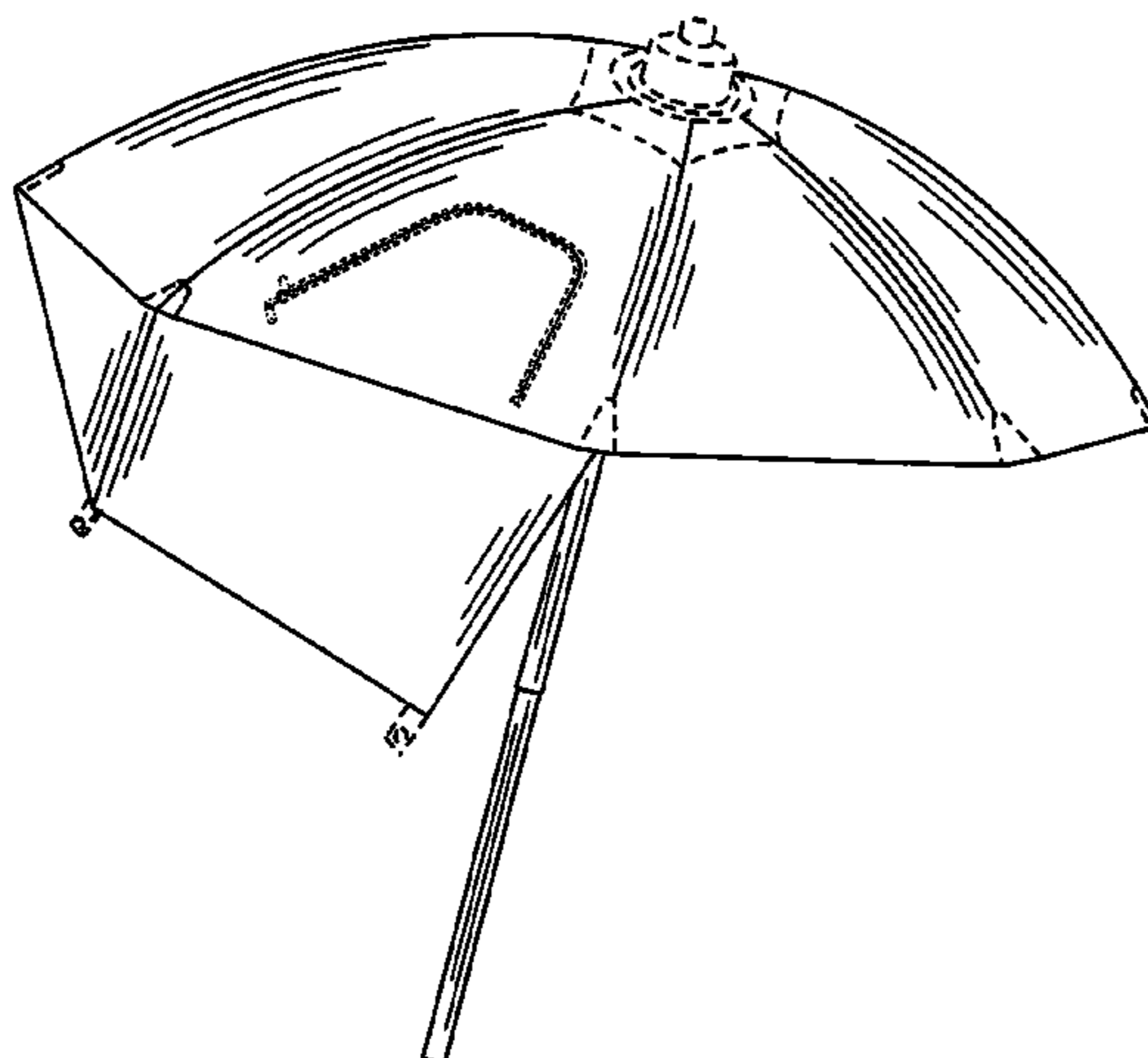
U.S. PATENT DOCUMENTS

1,581,843 A	4/1926	Little, Sr.	
1,774,909 A	9/1930	Wells	
2,024,105 A	12/1935	Landman	
2,934,076 A	4/1960	Fulke	
3,456,661 A	7/1969	Farley	
4,086,931 A	5/1978	Hall	
4,449,542 A	5/1984	McSwain et al.	
4,499,133 A	2/1985	Prince	
D294,538 S	3/1988	De Marr	
4,821,353 A	4/1989	Neri	
4,958,652 A	9/1990	Maya	
5,505,221 A *	4/1996	Gao	135/20.1
5,551,464 A	9/1996	Kelly	
5,692,720 A	12/1997	Griggs	
D390,696 S	2/1998	Bauman	
5,806,547 A	9/1998	Derlinga	

DESCRIPTION

FIG. 1 is a perspective view showing my new design.
FIG. 2 is a top view.
FIG. 3 is a bottom view.
FIG. 4 is a front view; and,
FIG. 5 is a left side view.
The right side view is a mirror image of the left side view.
The shaded areas in FIG. 3 are screen mesh and are not claimed.
The broken lines are for illustrative purposes only and form no part of the claimed design.

1 Claim, 5 Drawing Sheets



US D627,553 S

Page 2

U.S. PATENT DOCUMENTS

D516,294 S * 3/2006 Olson et al. D3/5
D521,229 S 5/2006 Mariano
7,240,683 B2 7/2007 Zutich
7,316,239 B2 1/2008 Yang
D572,463 S * 7/2008 Richardson D3/5
7,493,908 B2 2/2009 Carter et al.
2004/0020522 A1 2/2004 James

2005/0011134 A1 1/2005 Boltan et al.
2009/0007947 A1 1/2009 Spangenberg
2009/0301531 A1 12/2009 Elder

FOREIGN PATENT DOCUMENTS

JP 2003-033211 A 2/2003

* cited by examiner

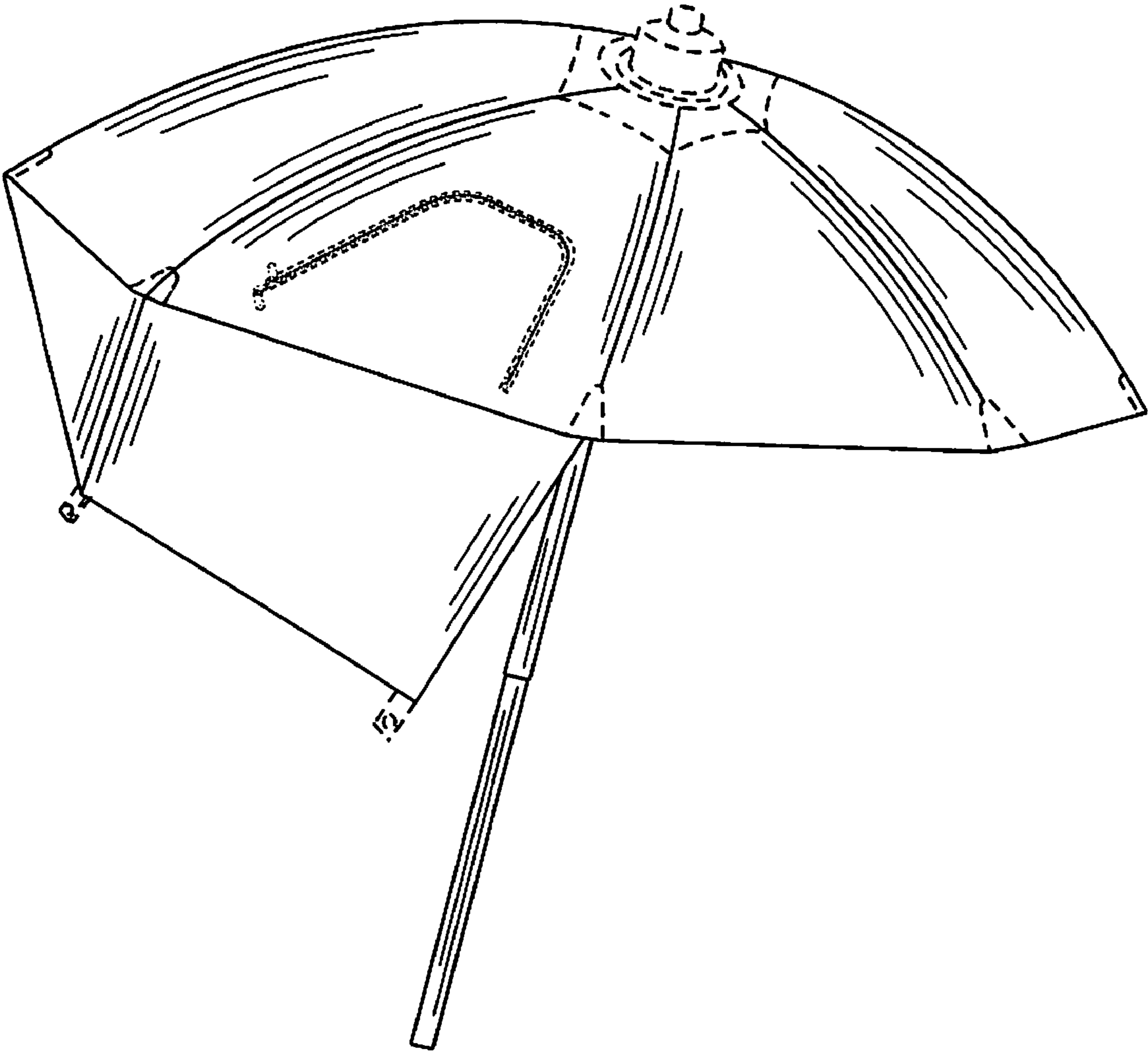


FIG. 1

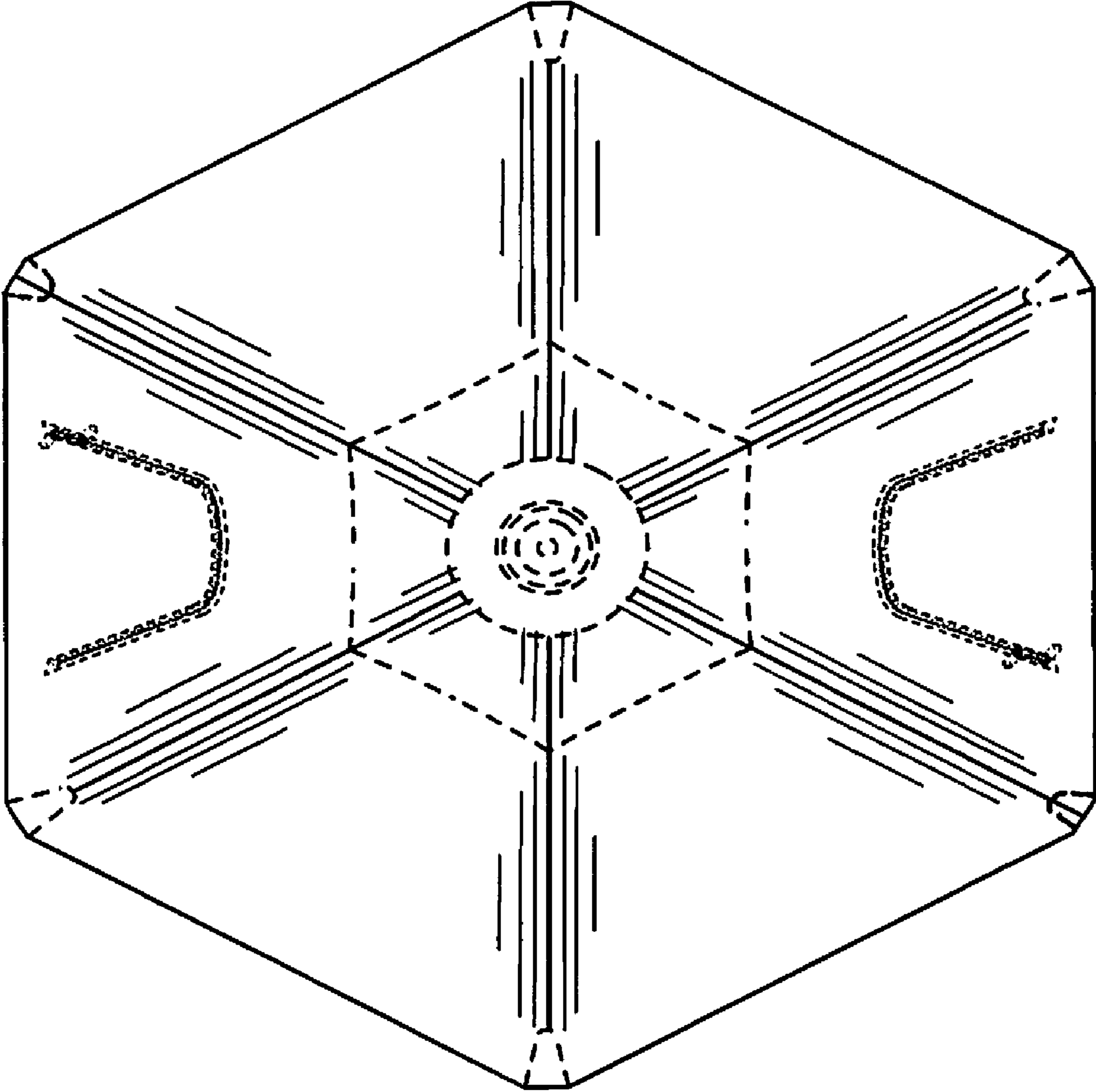


FIG. 2

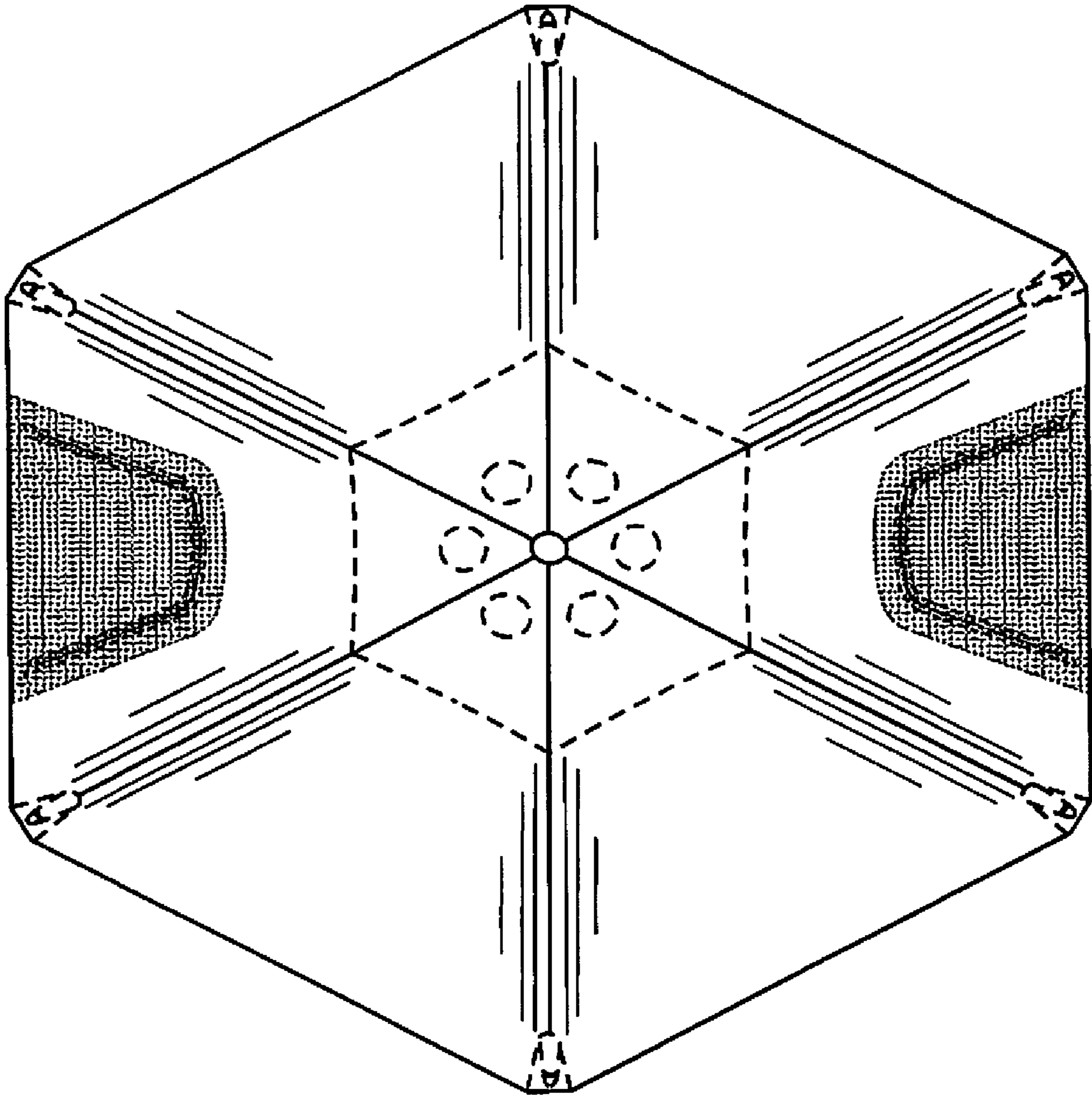


FIG. 3

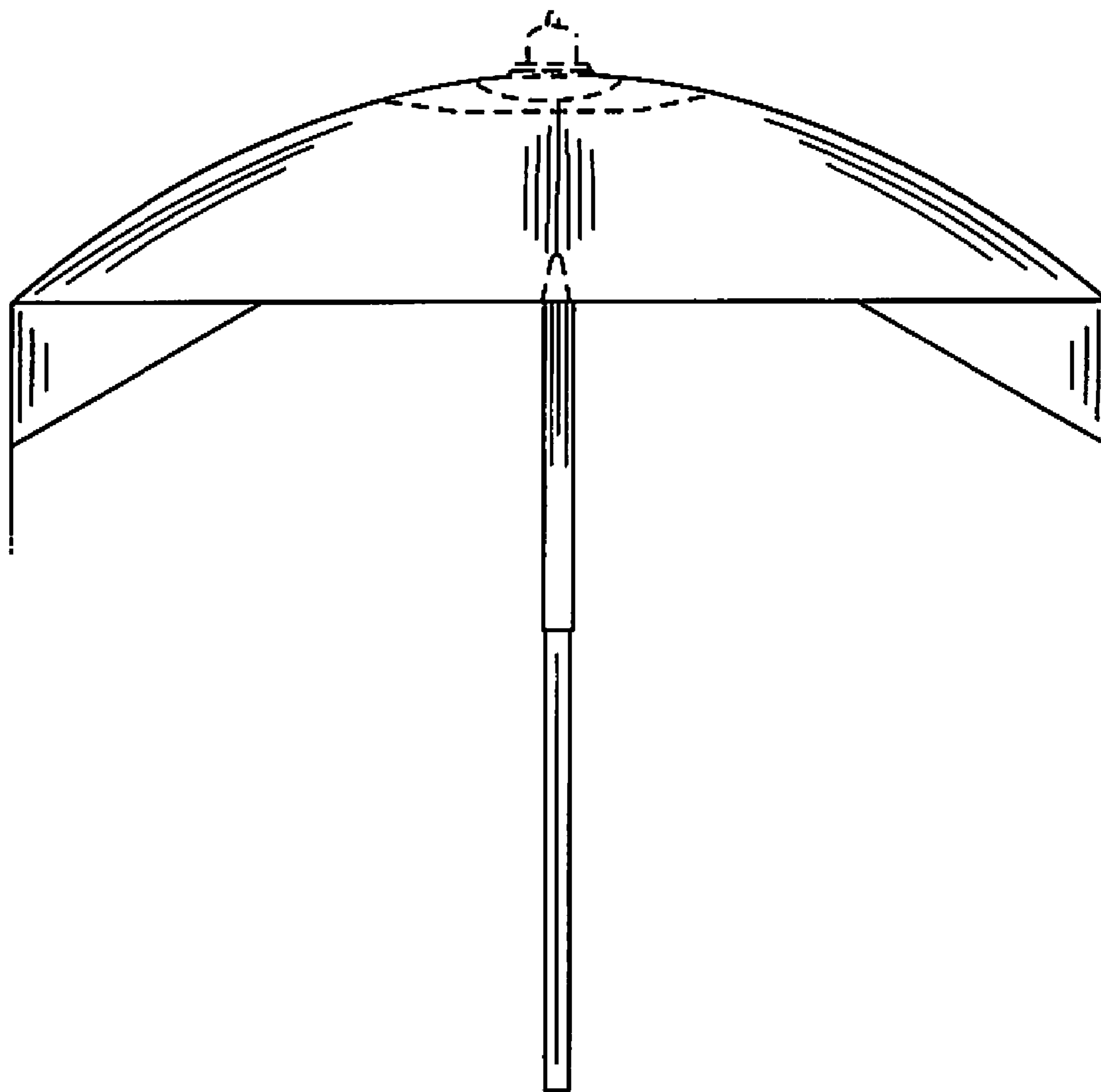


FIG. 4

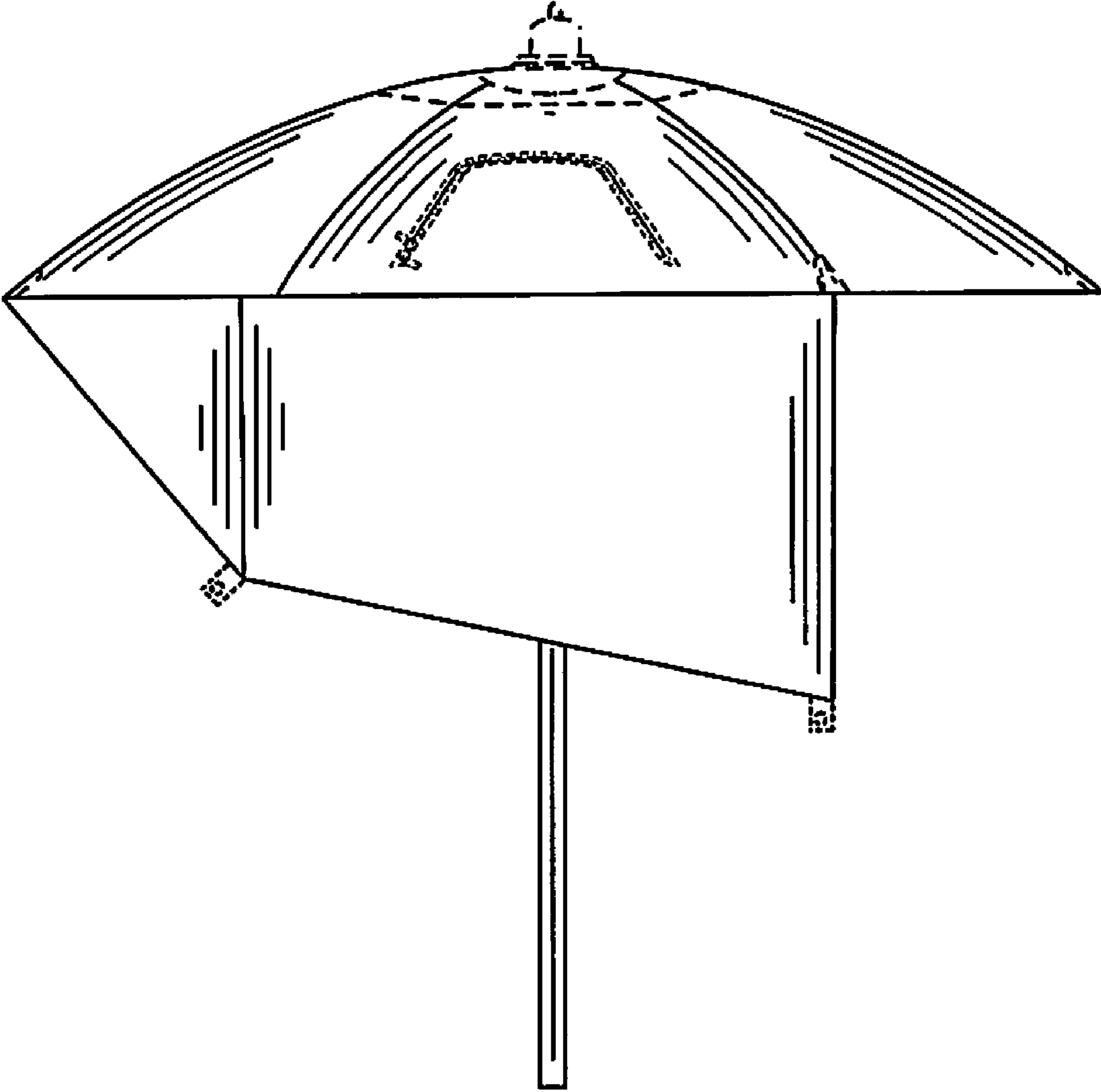


FIG. 5