



US00D627551S

(12) **United States Design Patent**
Berutich et al.

(10) **Patent No.:** **US D627,551 S**

(45) **Date of Patent:** **** Nov. 23, 2010**

(54) **INTERCHANGEABLE SLIDE ON CLIPS FOR FLIP FLOPS**

(76) Inventors: **Vicki Berutich**, 16835 Algonquin St., # 241, Huntington Beach, CA (US) 92649;
Barbara Pazornik, 16835 Algonquin St., # 241, Huntington Beach, CA (US) 92649

(**) Term: **14 Years**

(21) Appl. No.: **29/342,105**

(22) Filed: **Aug. 18, 2009**

(51) **LOC (9) Cl.** **02-07**

(52) **U.S. Cl.** **D2/976**

(58) **Field of Classification Search** D2/911,
D2/912, 928, 929, 935, 943, 944, 946, 976,
D2/978; D8/356, 383; 24/68 SK, 712.2-712.4
See application file for complete search history.

(56) **References Cited**

U.S. PATENT DOCUMENTS

302,799	A	*	7/1884	Thomson	24/69	SK
1,344,998	A	*	6/1920	Fay	2/245	
2,200,340	A	*	5/1940	Painter	24/532	
D207,771	S	*	5/1967	Aufenacker	D11/210	
D363,453	S	*	10/1995	Herdt	D11/78.1	
D394,745	S	*	6/1998	Egelja	D2/999	
D462,162	S	*	9/2002	Peng	D2/978	
D492,727	S	*	7/2004	Nuttall et al.	D19/65	
D507,481	S	*	7/2005	Blake et al.	D8/394	

D509,423	S	*	9/2005	Mariano et al.	D8/395	
D538,704	S	*	3/2007	Kaminski	D11/78.1	
D547,034	S	*	7/2007	Choi	D2/946	
D547,532	S	*	7/2007	White et al.	D2/946	
D579,194	S	*	10/2008	Caylor	D2/976	

* cited by examiner

Primary Examiner—Stella M Reid

Assistant Examiner—Keli L Hill

(74) *Attorney, Agent, or Firm*—QuickPatents, Inc.; Kevin Prince

(57) **CLAIM**

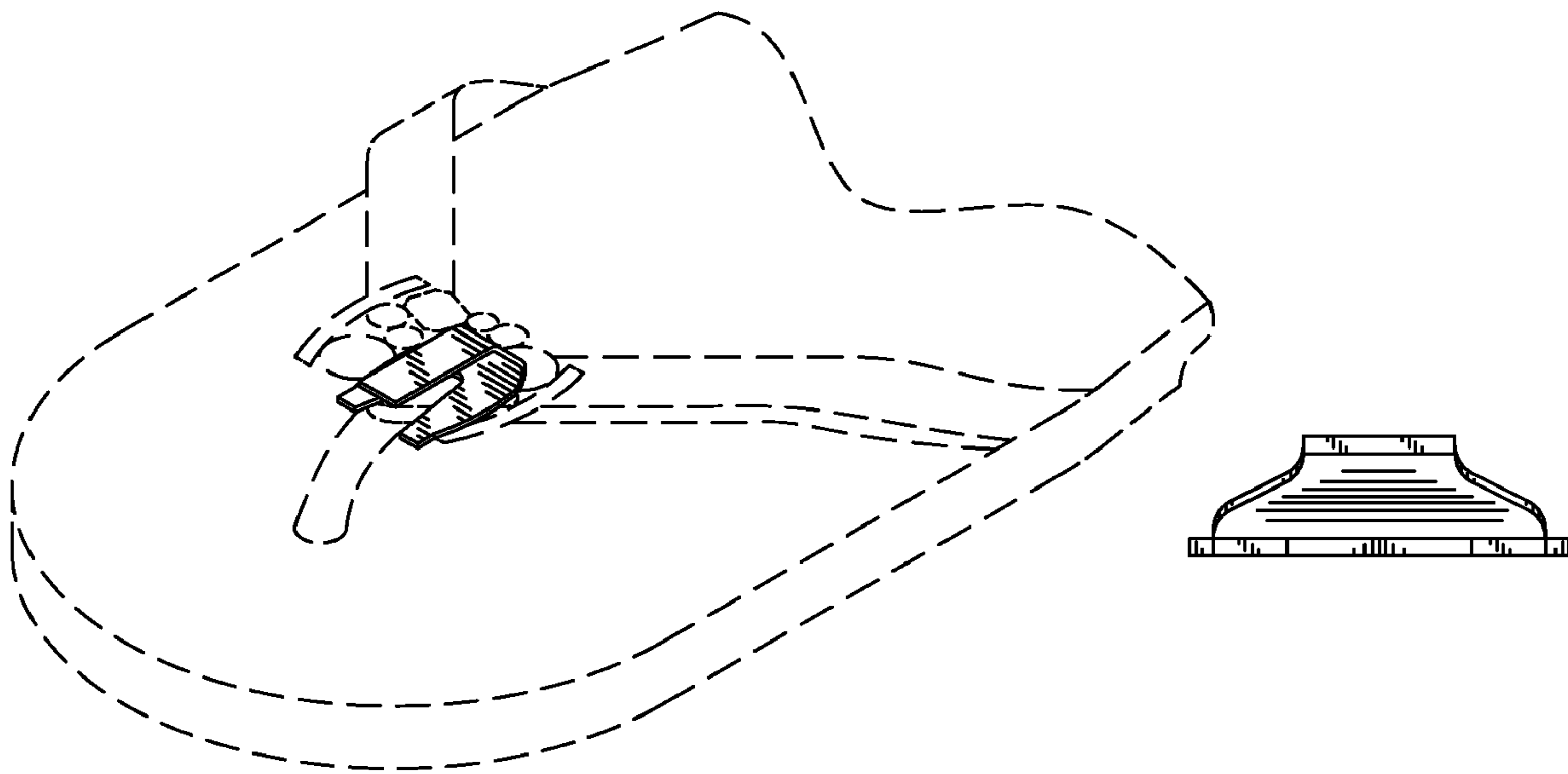
We claim the ornamental design for a interchangeable slide on clip for flip flops, as shown and described.

DESCRIPTION

FIG. 1 is a perspective view of an interchangeable slide on clip for flip flops, showing our new design;
FIG. 2 is a front elevational view thereof;
FIG. 3 is a rear elevational view thereof;
FIG. 4 is a left-side elevational view thereof, the right-side elevational view being a mirror image thereof;
FIG. 5 is a top plan view thereof; and,
FIG. 6 is a bottom plan view thereof.

The broken lines showing a flip flop and a jewelry charms in FIG. 1 are included for the purpose of illustrating the invention in use, and form no part of the claimed design.

1 Claim, 1 Drawing Sheet



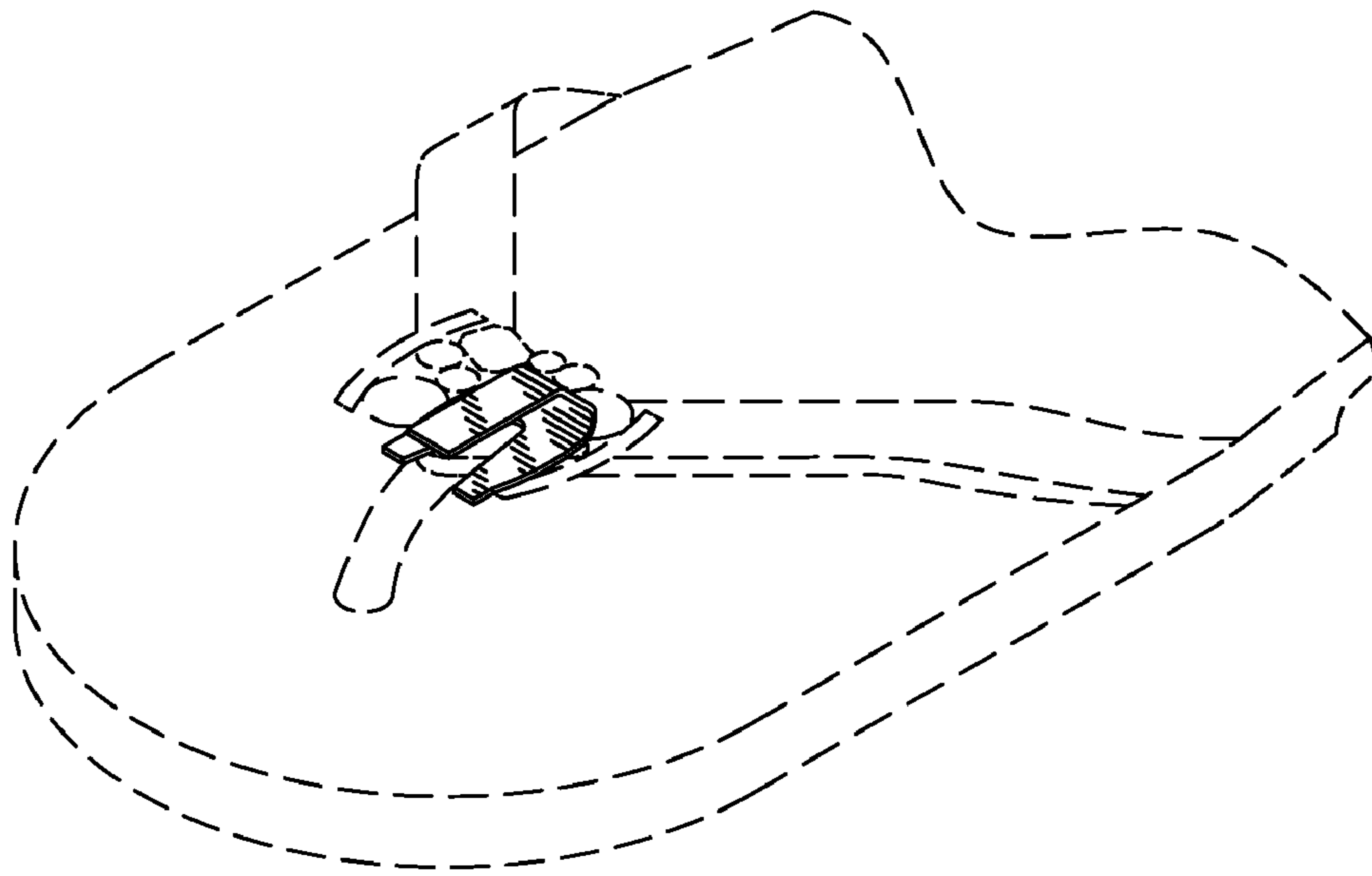


FIG. 1

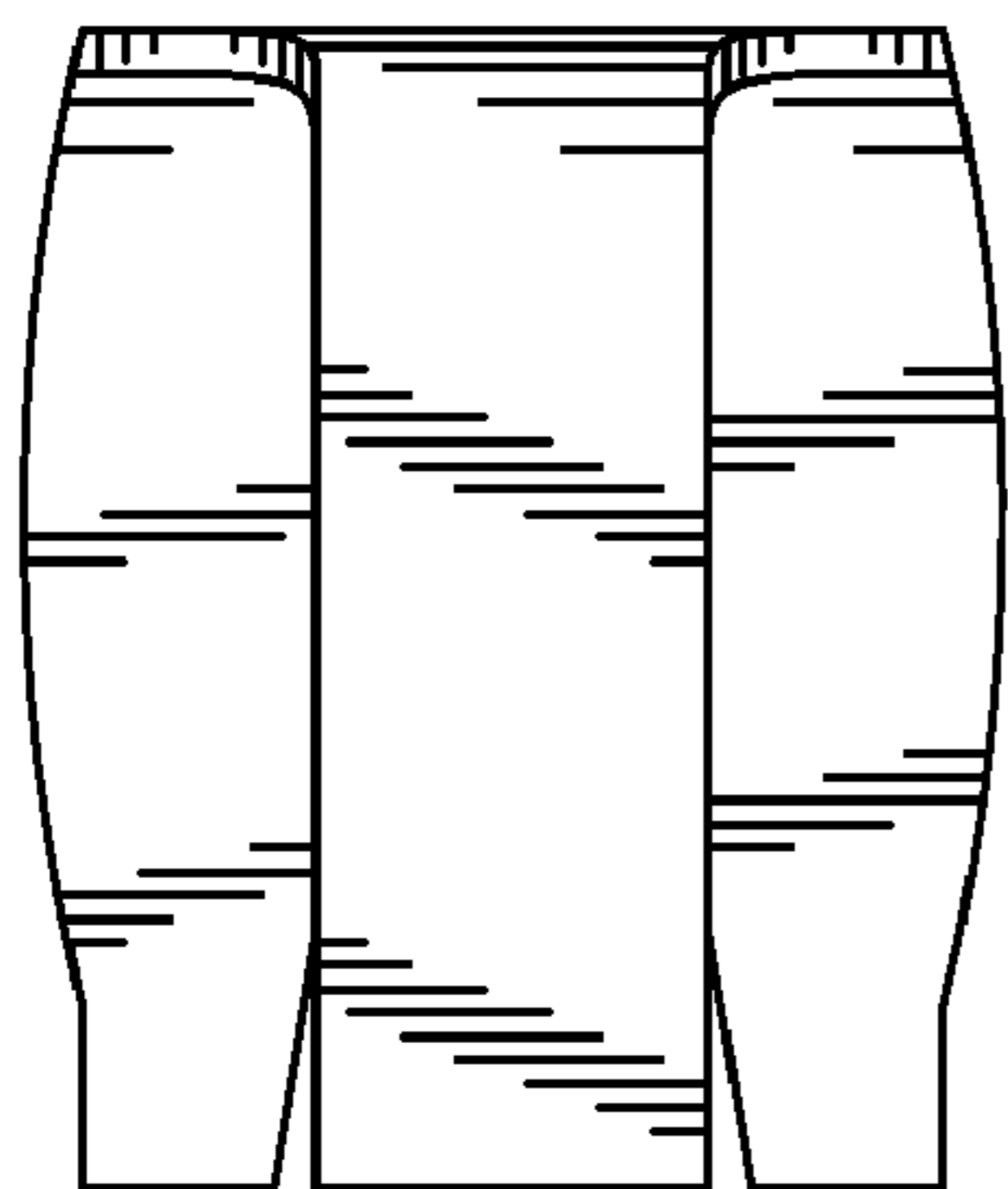


FIG. 2

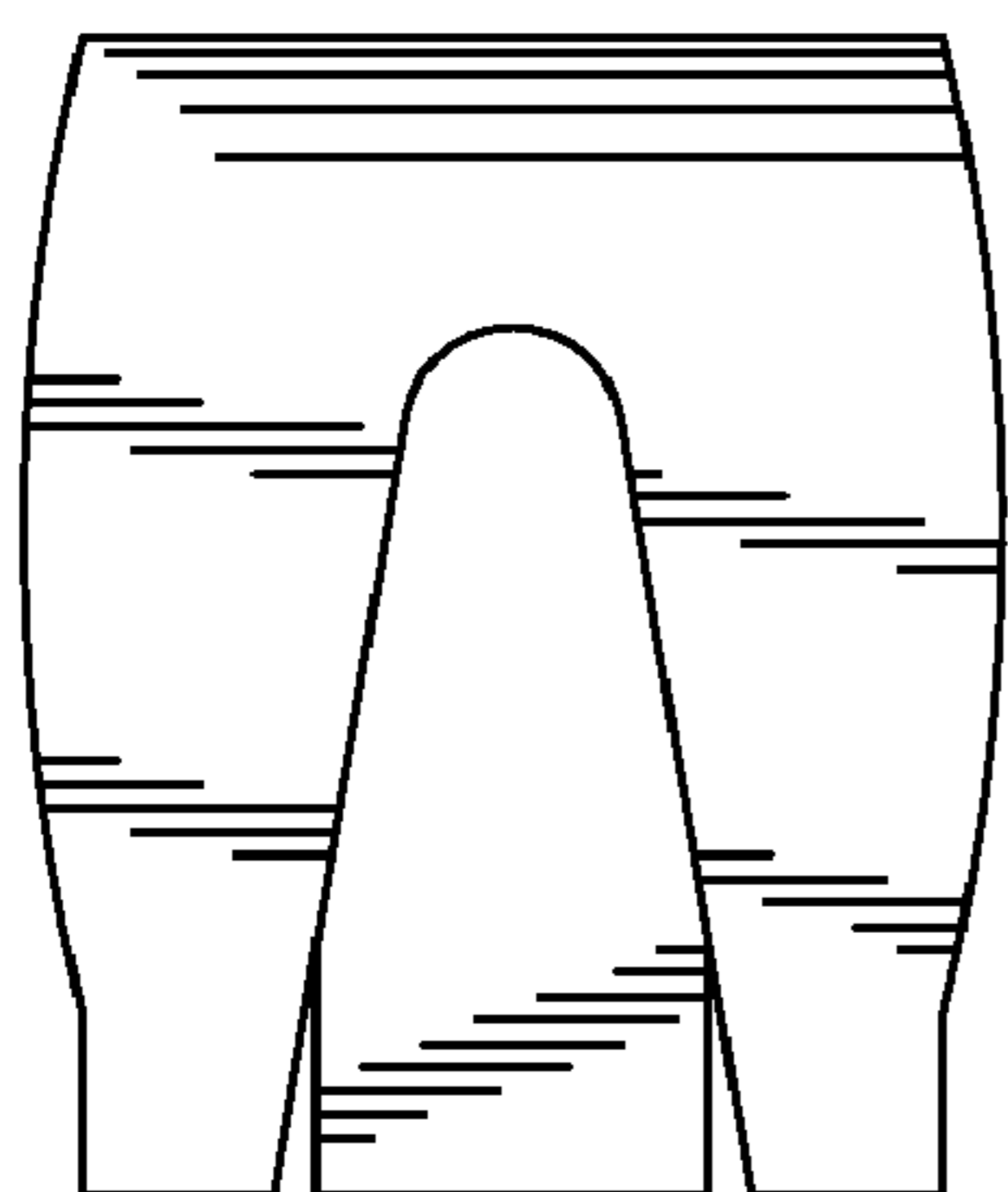


FIG. 3

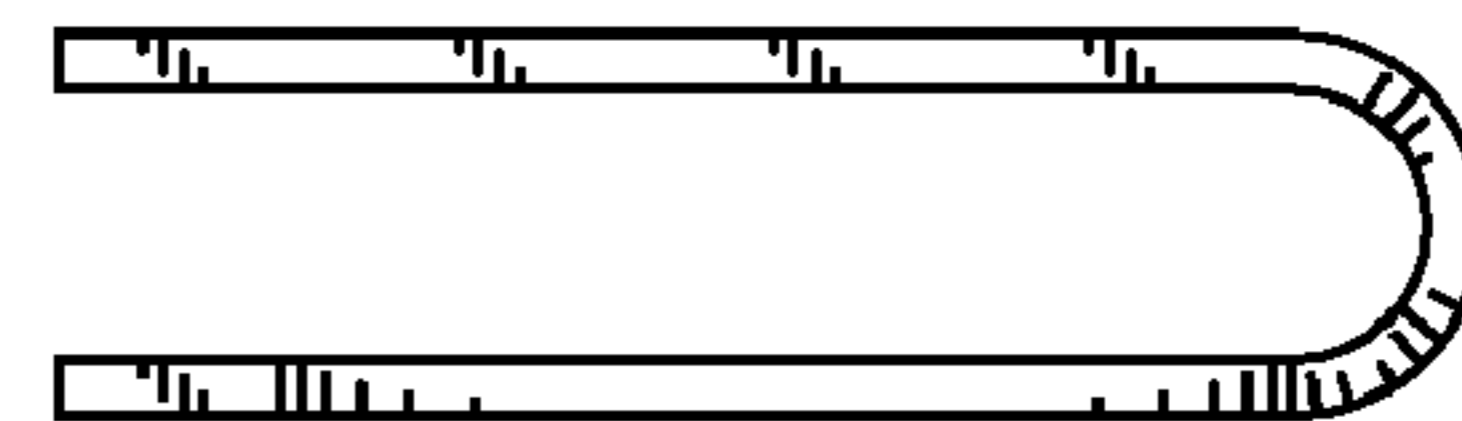


FIG. 4

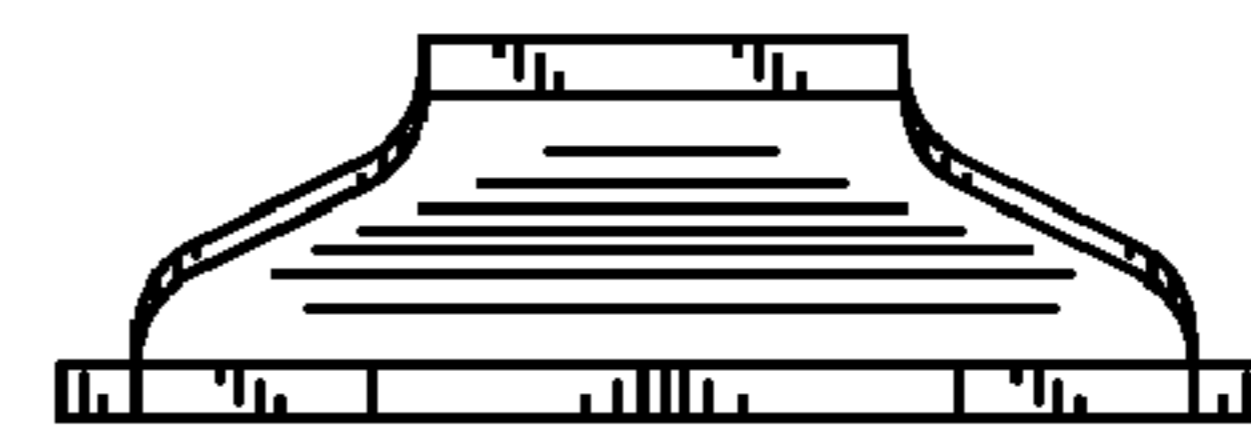


FIG. 5

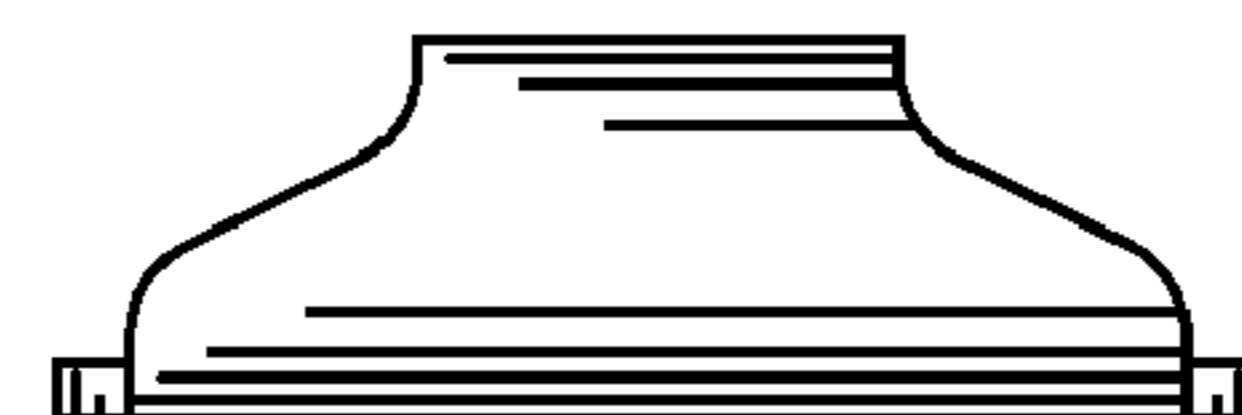


FIG. 6