

US00D627535S

(12) **United States Design Patent**
Hermans

(10) **Patent No.:** **US D627,535 S**
(45) **Date of Patent:** **** Nov. 16, 2010**

(54) **PLINTH**

(76) **Inventor:** **Ty Gerard Hermans**, 359 MacDonnell Road., Clontarf, Queensland 4019 (AU)

(**) **Term:** **14 Years**

(21) **Appl. No.:** **29/305,181**

(22) **Filed:** **Mar. 14, 2008**

(30) **Foreign Application Priority Data**

Feb. 13, 2008 (AU) 10630/2008

(51) **LOC (9) Cl.** **09-08**

(52) **U.S. Cl.** **D34/38**

(58) **Field of Classification Search** D34/38;
108/51.3, 52.1, 53.1, 53.3, 51.11; 254/88,
254/94; 248/346.02; 206/386; D25/199;
D32/55-57; D14/432, 434, 447
See application file for complete search history.

(56) **References Cited**

U.S. PATENT DOCUMENTS

3,699,901	A *	10/1972	Cook, III	108/57.25
3,707,127	A *	12/1972	Palfey	108/53.3
D225,841	S *	1/1973	Skendrovic	D34/38
D228,896	S *	10/1973	Melnick et al.	D34/38
D229,042	S *	11/1973	Meldric	D34/38
D231,096	S *	4/1974	Adam	D34/38
D236,603	S *	9/1975	Melnick et al.	D34/38
4,562,718	A *	1/1986	Dunk	72/349
D295,568	S *	5/1988	Rothwell et al.	D34/38
5,749,555	A *	5/1998	Albrecht	248/346.01
D404,180	S *	1/1999	Apps et al.	D34/38
D417,765	S *	12/1999	Morello	D34/38
D434,509	S *	11/2000	Oliver et al.	D25/199
6,234,088	B1 *	5/2001	Bredal et al.	108/91

D459,050	S *	6/2002	Meyer	D34/38
6,584,914	B1 *	7/2003	Koefeldt	108/54.1
6,719,164	B2 *	4/2004	Maschio	220/571
D489,981	S *	5/2004	Kuipers	D9/456
D499,574	S *	12/2004	Spicer	D6/406.3
D508,300	S *	8/2005	O'Dell et al.	D34/38
D531,027	S *	10/2006	Ramirez et al.	D9/435
D531,378	S *	10/2006	Angel et al.	D34/31
D554,825	S *	11/2007	Lux, Jr.	D34/38
D571,486	S *	6/2008	Miller et al.	D25/133
D590,123	S *	4/2009	Hermans	D34/38
D590,124	S *	4/2009	Hermans	D34/38
D590,572	S *	4/2009	Hermans	D34/38
D590,573	S *	4/2009	Hermans	D34/38
D600,874	S *	9/2009	Hermans	D34/38
D600,875	S *	9/2009	Hermans	D34/38

* cited by examiner

Primary Examiner—Cynthia E Ramirez

(74) *Attorney, Agent, or Firm*—Ableman, Frayne & Schwab

(57) **CLAIM**

The ornamental design for a plinth, as shown and described.

DESCRIPTION

FIG. 1 is a top, front, right side perspective view of a square plinth showing my new design;

FIG. 2 is a bottom front left side perspective view thereof;

FIG. 3 is a top plan view thereof;

FIG. 4 is a bottom plan view thereof;

FIG. 5 is a right side elevational view thereof;

FIG. 6 is a left side elevational view thereof;

FIG. 7 is a front elevational view thereof; and,

FIG. 8 is a rear elevational view thereof.

1 Claim, 5 Drawing Sheets

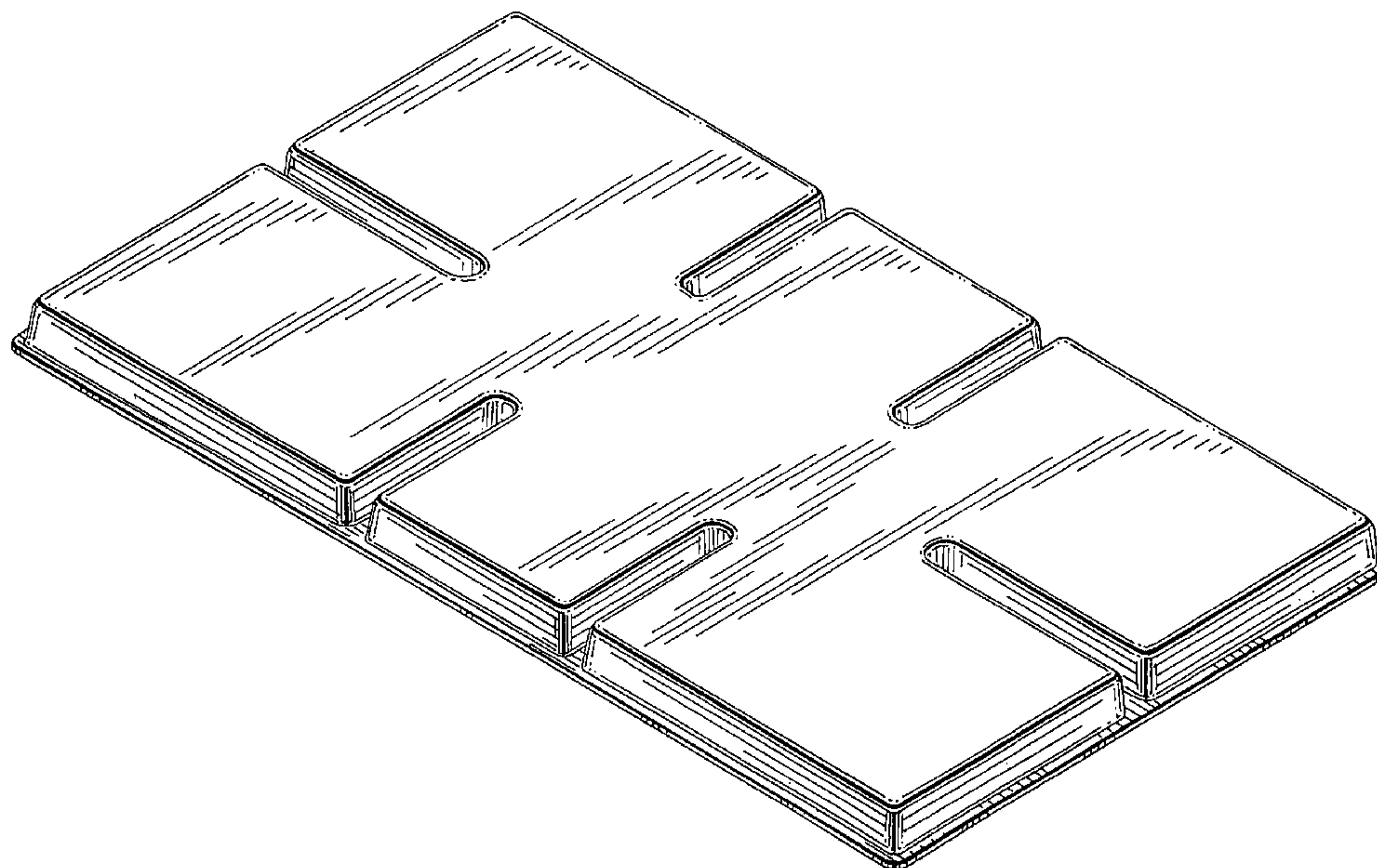


FIG. 1

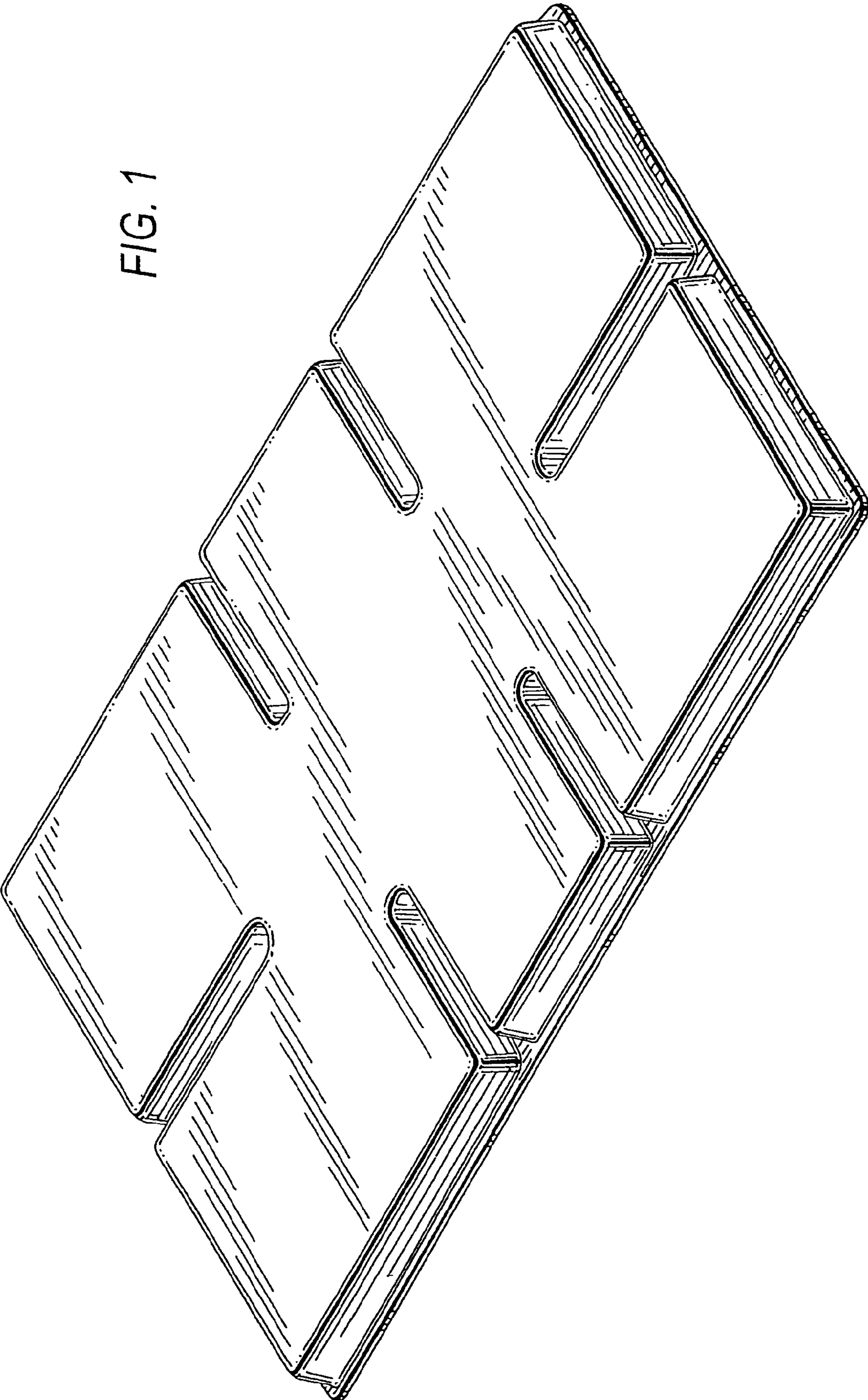
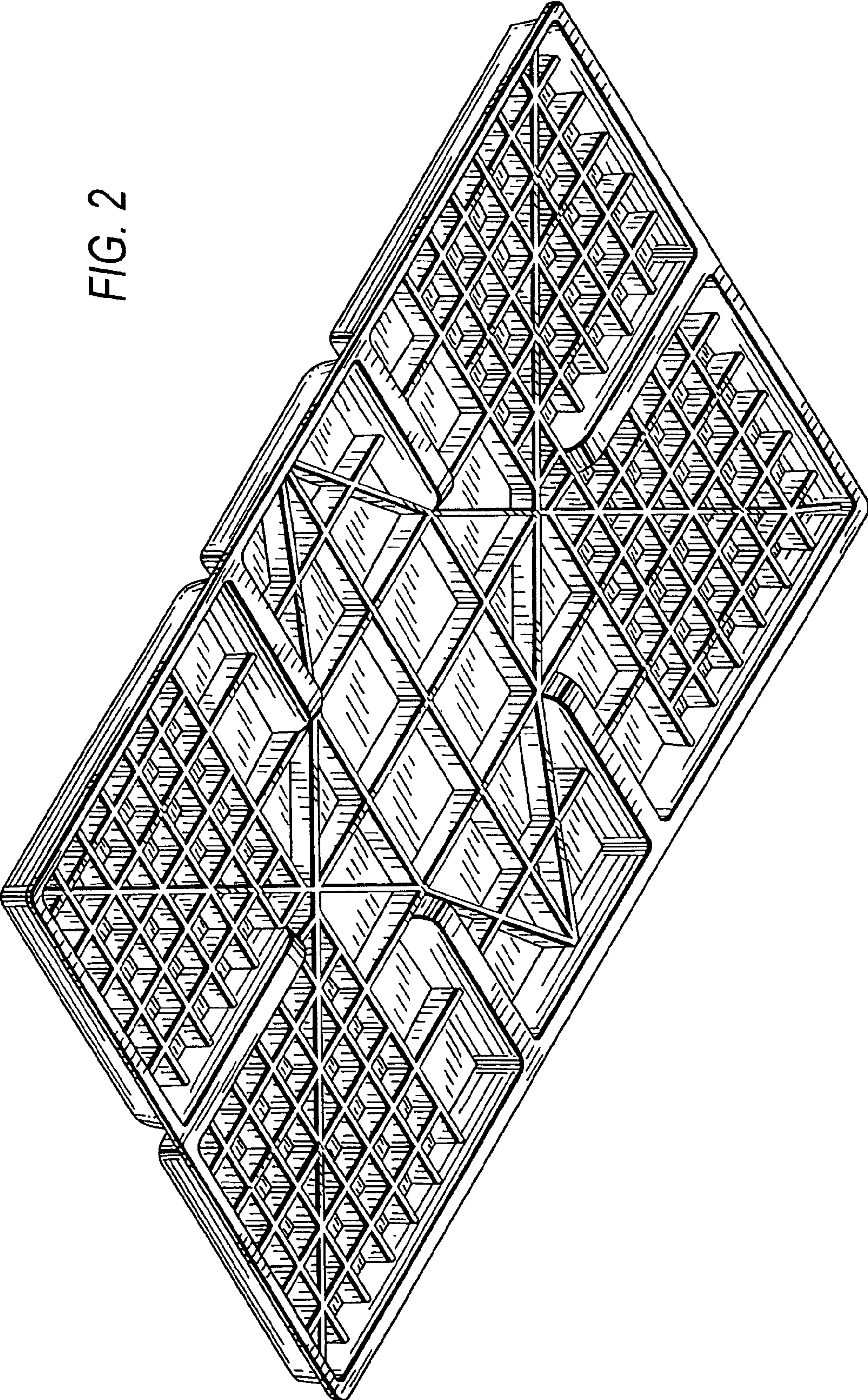


FIG. 2



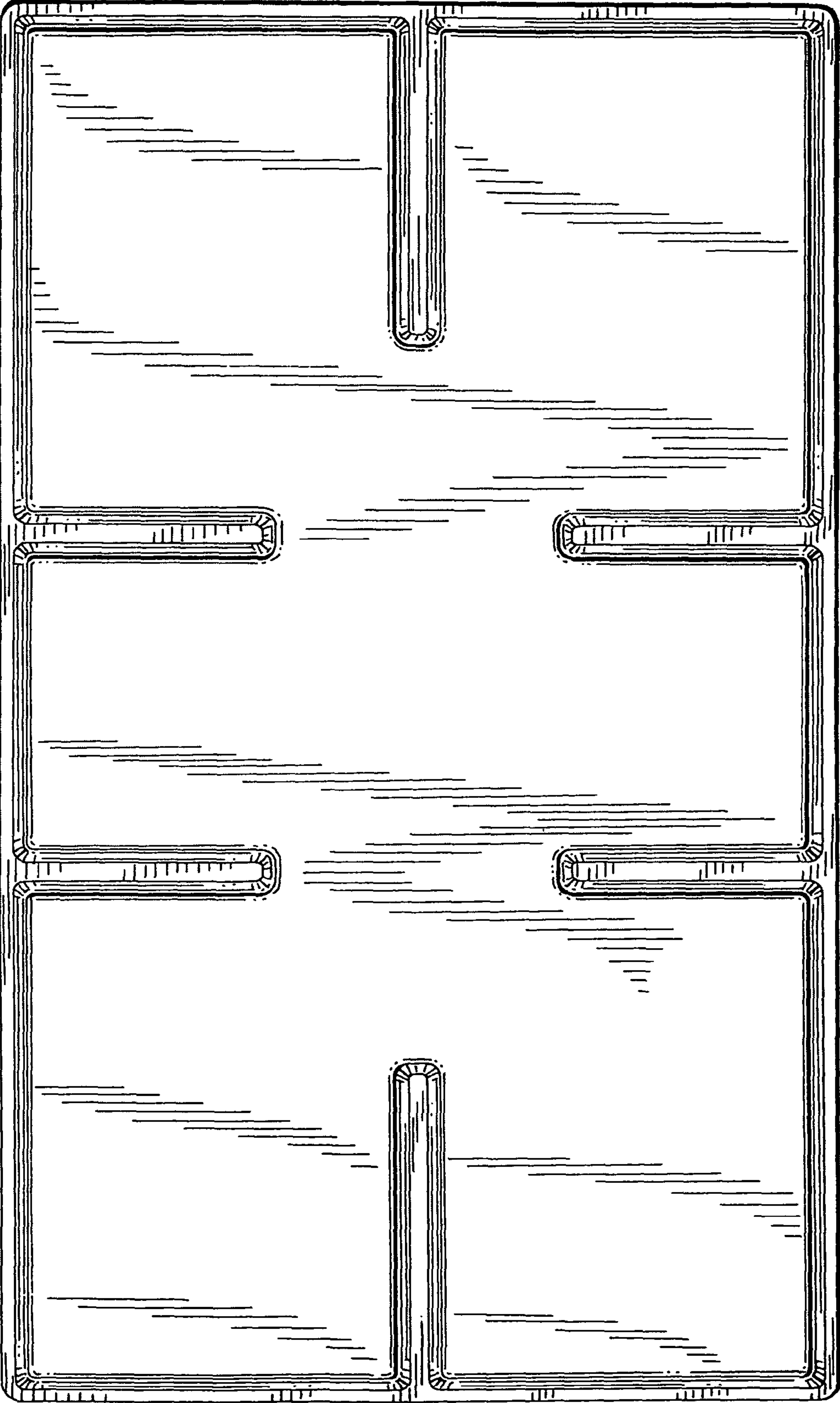


FIG. 3

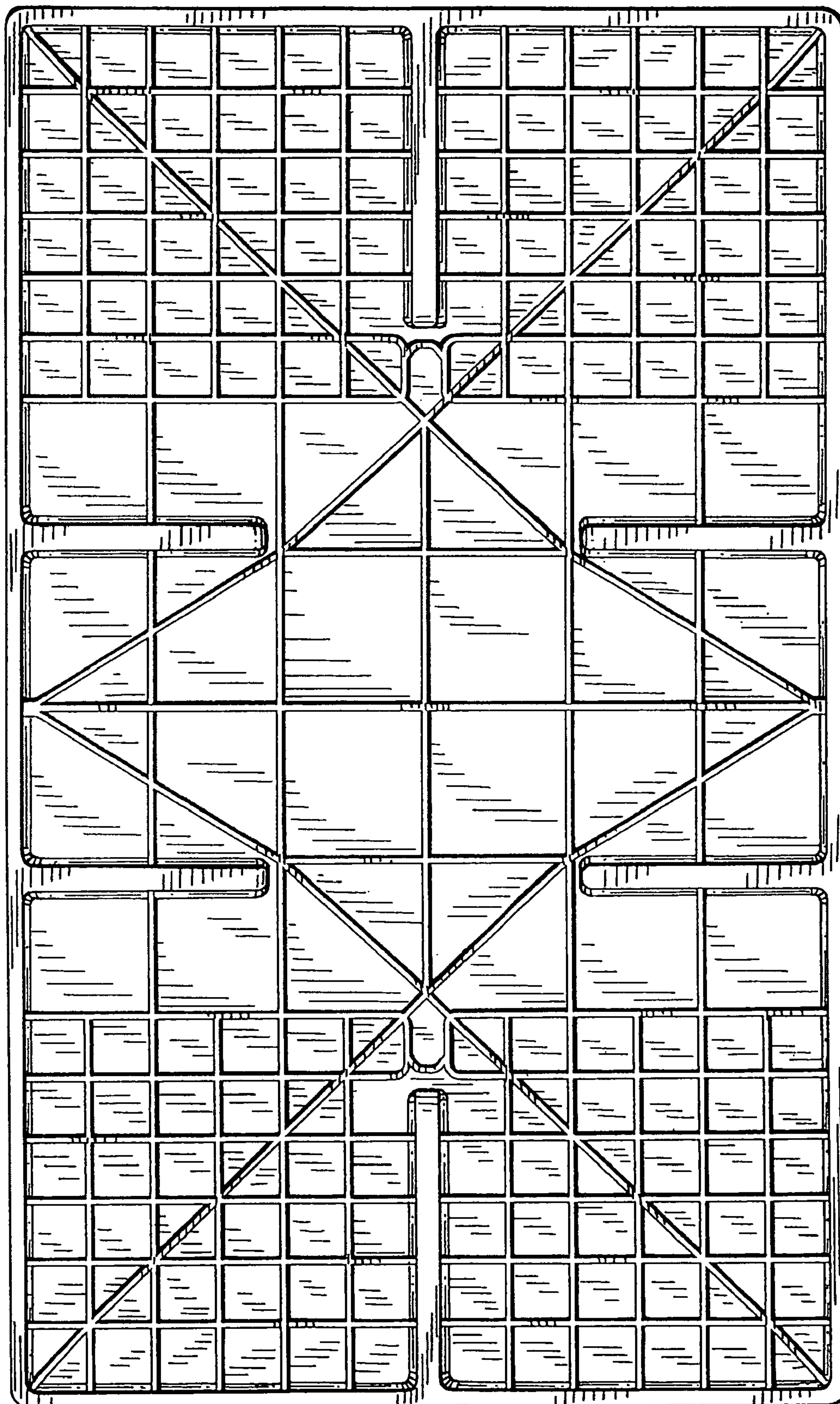


FIG. 4

FIG. 5

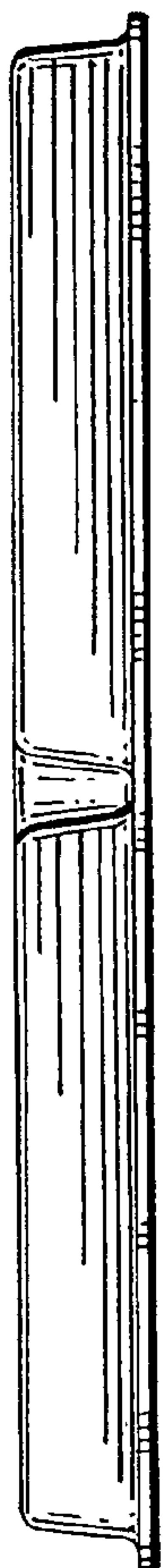


FIG. 6

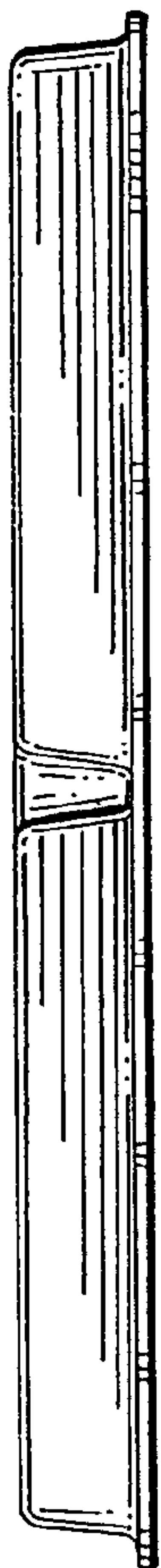


FIG. 7

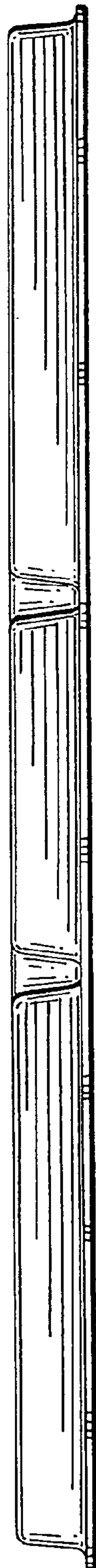


FIG. 8

