



US00D627534S

(12) **United States Design Patent**  
**Wingerter**

(10) **Patent No.:** **US D627,534 S**

(45) **Date of Patent:** **\*\* Nov. 16, 2010**

(54) **TOP FOR TOOL BOX**

(75) Inventor: **Robert Collins Wingerter**, Greer, SC  
(US)

(73) Assignee: **Professional Tool Products, LLC**,  
Traverlers Rest, SC (US)

(\*\*) Term: **14 Years**

(21) Appl. No.: **29/352,887**

(22) Filed: **Dec. 29, 2009**

(51) **LOC (9) Cl.** ..... **12-02**

(52) **U.S. Cl.** ..... **D34/27**

(58) **Field of Classification Search** ..... D34/12-27;  
312/326, 327, 218, 902; 206/349; D6/432,  
D6/396, 397, 441, 443, 446, 445, 448, 440;  
280/33.994, 33.992

See application file for complete search history.

(56) **References Cited**

**U.S. PATENT DOCUMENTS**

D356,200 S *	3/1995	Kern et al.	.....	D34/27
5,497,878 A	3/1996	Sandonato		
D401,730 S *	11/1998	Liao	.....	D34/27
D404,868 S *	1/1999	Conn	.....	D34/11
5,857,757 A	1/1999	Bieker et al.		
6,315,376 B1	11/2001	Wiseman		
D501,285 S	1/2005	Long, Jr.		
D505,236 S *	5/2005	Arceta	.....	D34/27
D520,418 S *	5/2006	Platto et al.	.....	D12/173
D548,921 S *	8/2007	Gaddy	.....	D34/27

D577,310 S \* 9/2008 Whetstone ..... D11/133

\* cited by examiner

*Primary Examiner*—Cynthia E Ramirez

(74) *Attorney, Agent, or Firm*—J Bennett Mullinax, LLC

(57) **CLAIM**

The ornamental design for a top for tool box, as shown and described.

**DESCRIPTION**

FIG. 1 is a perspective view of the top for tool box according to a first embodiment of the present design.

FIG. 2 is a top plan view of the top for tool box as shown in FIG. 1;

FIG. 3 is a bottom plan view of the top for tool box as shown in FIG. 1;

FIG. 4 is a front elevation view of the top for tool box as shown in FIG. 1;

FIG. 5 is a rear elevation view of the top for tool box as shown in FIG. 1;

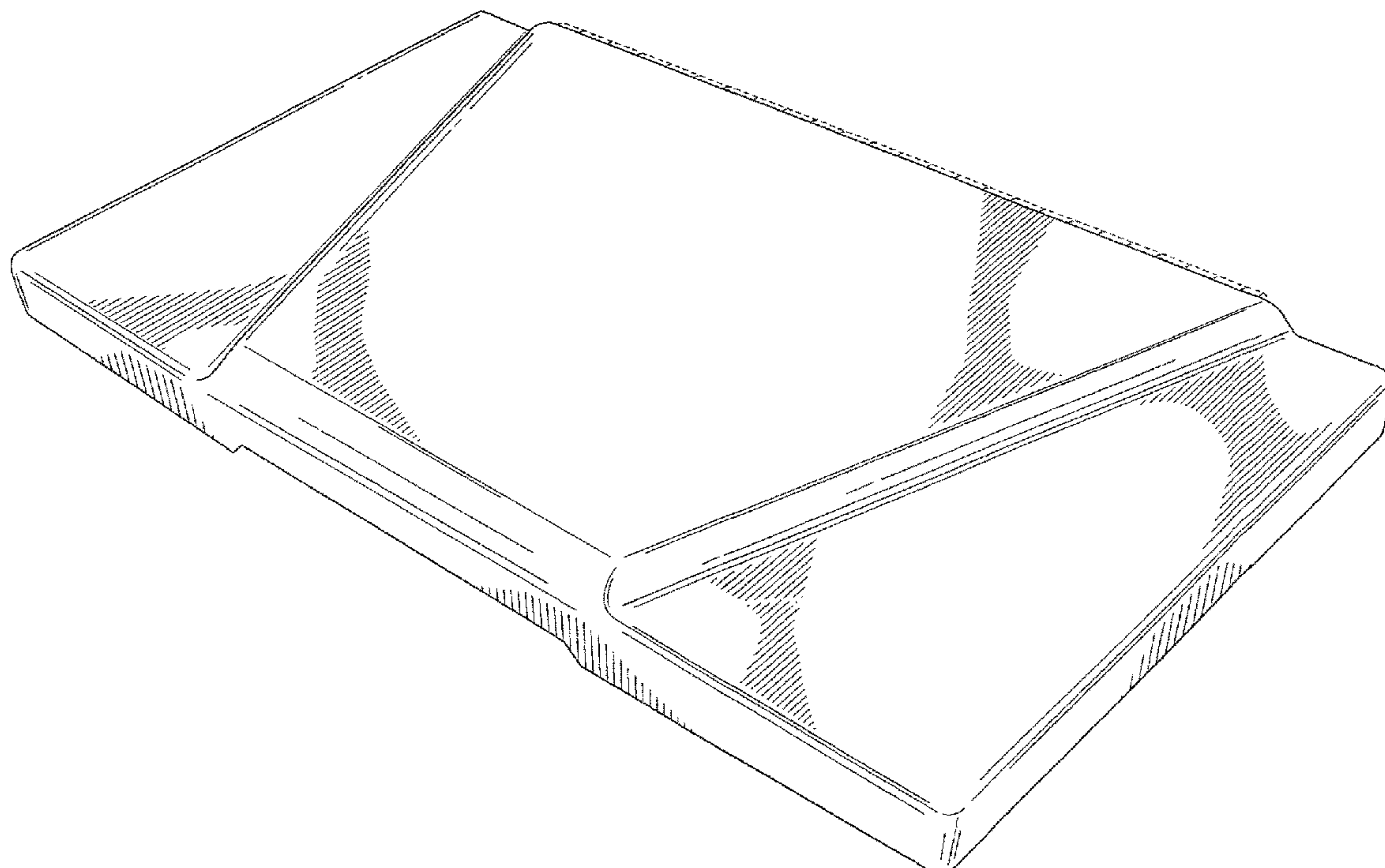
FIG. 6 is a right elevation view of the top for tool box as shown in FIG. 1;

FIG. 7 is a left elevation view of the top for tool box as shown in FIG. 1; and,

FIG. 8 is a top perspective view of the top for tool box as shown in FIG. 1, as showing the top for tool box connected to a tool box.

The broken lines in FIGS. 1-3 and 5-8 are for illustrative purposes only and form no part of the claimed design.

**1 Claim, 6 Drawing Sheets**



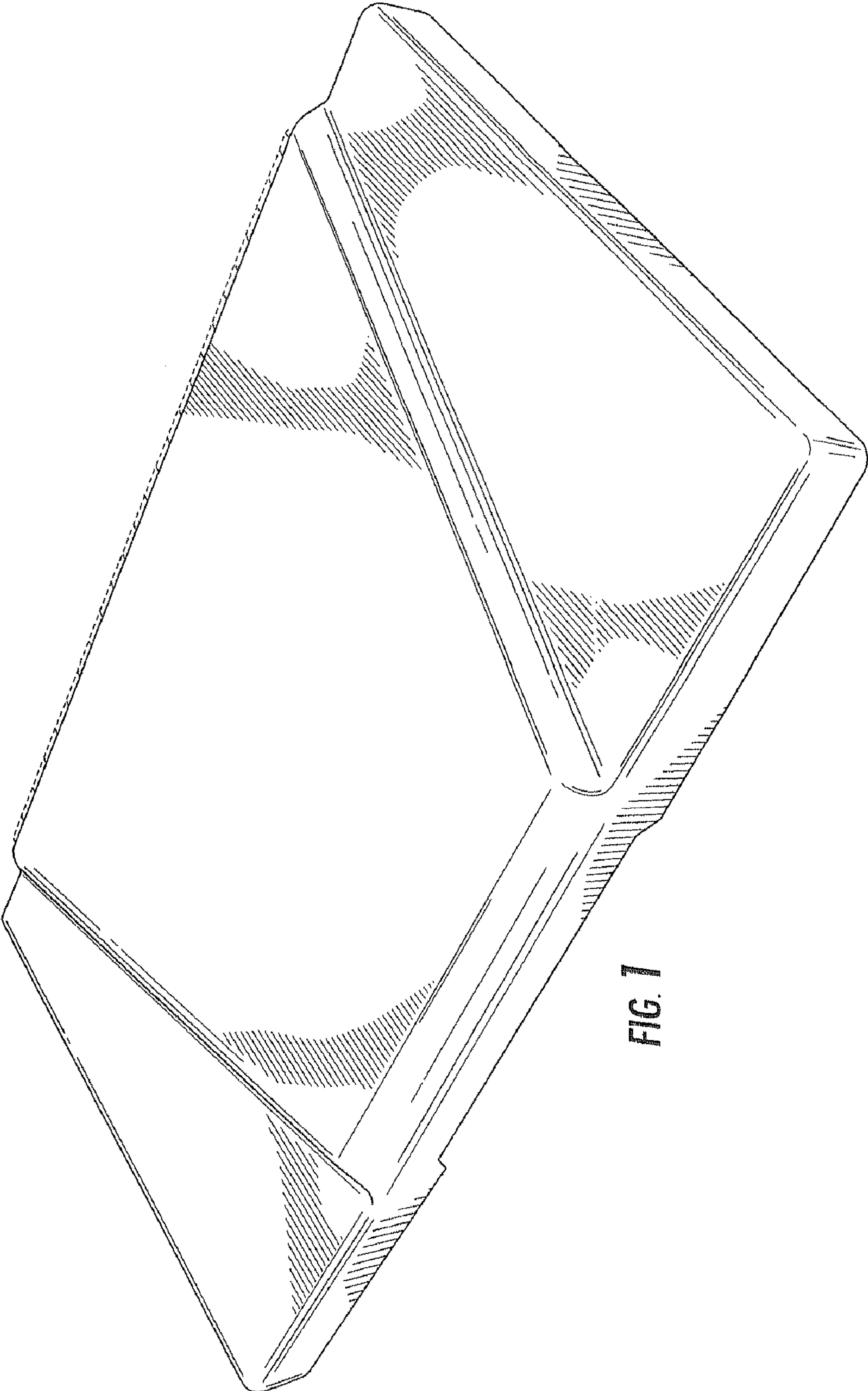


FIG. 1

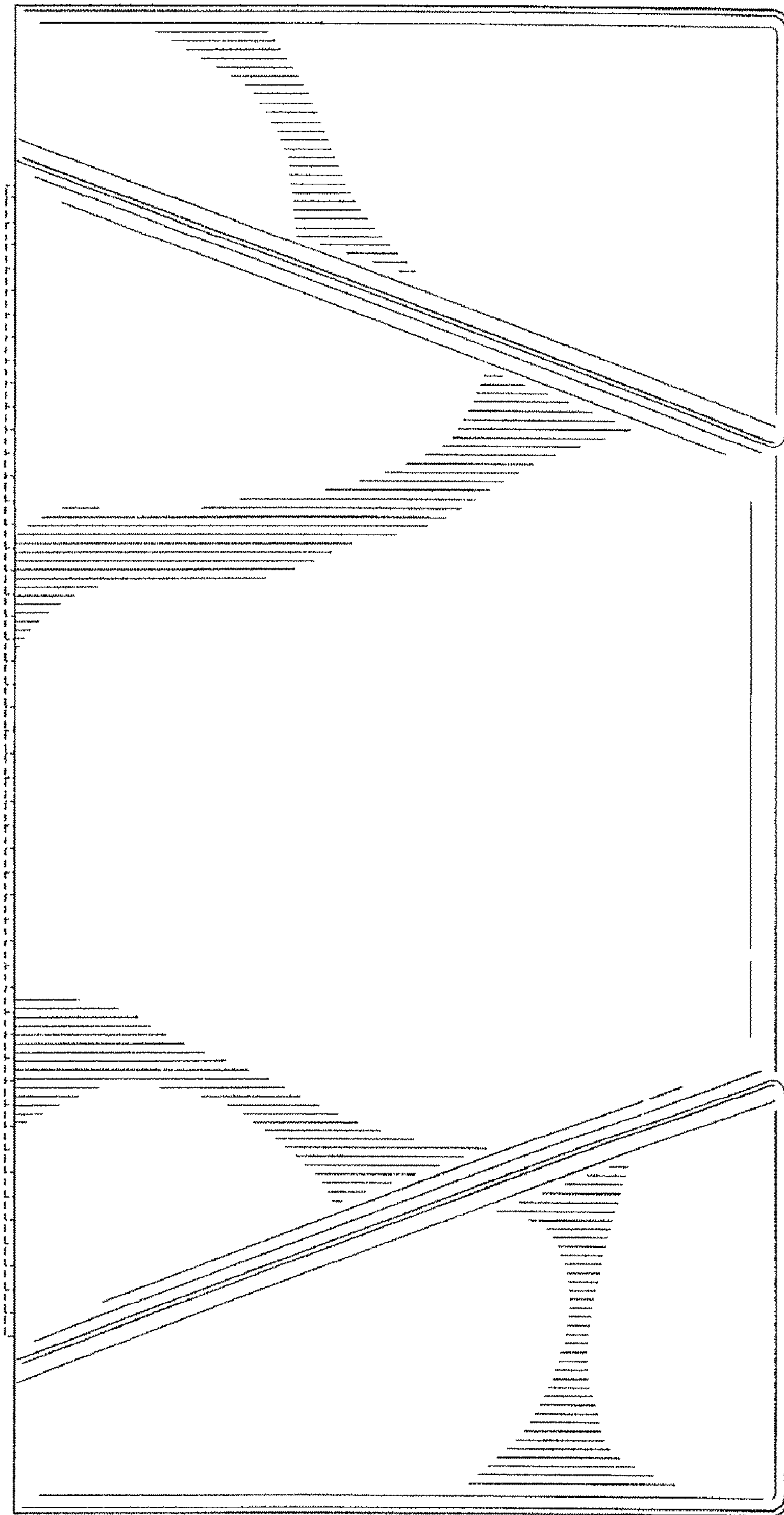


FIG. 2



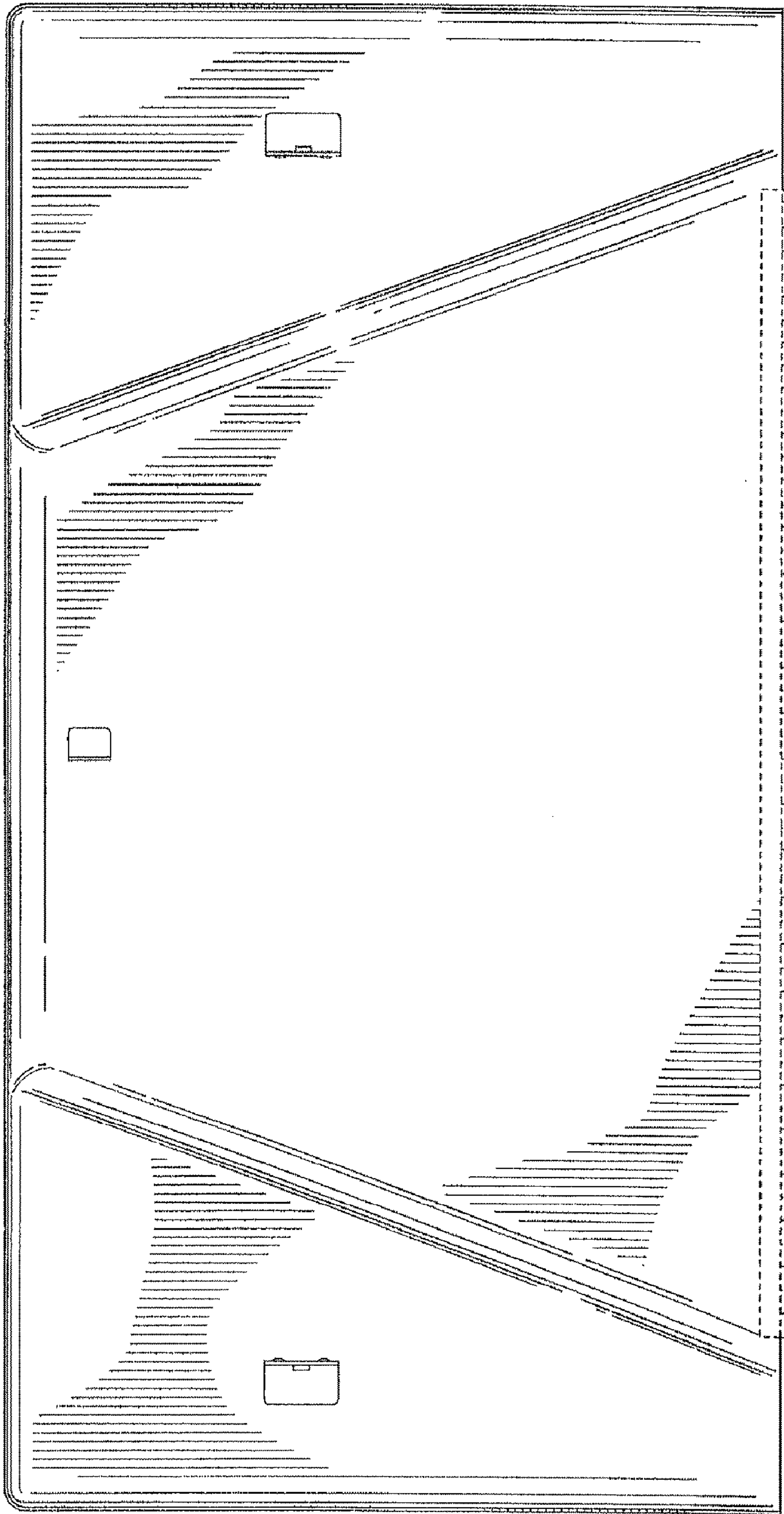


FIG. 3

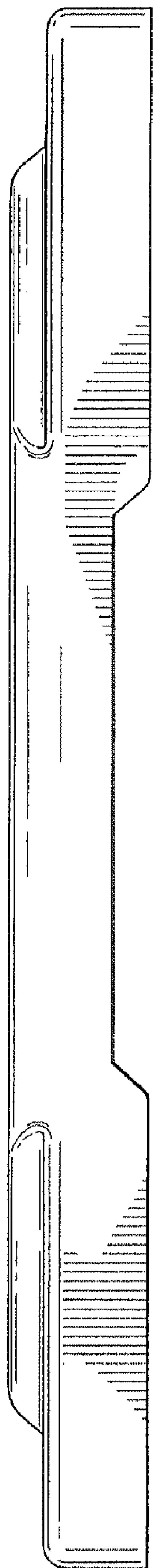


FIG. 4

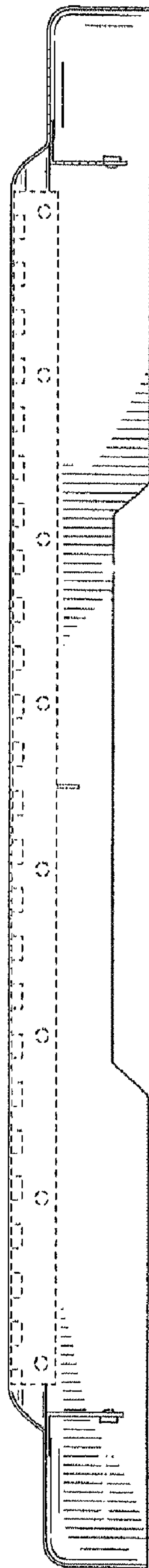


FIG. 5

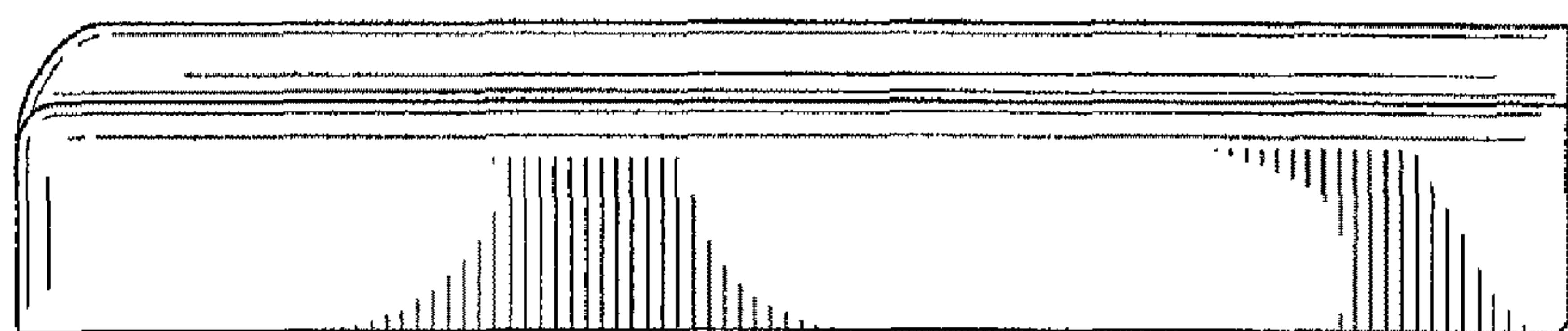


FIG. 6

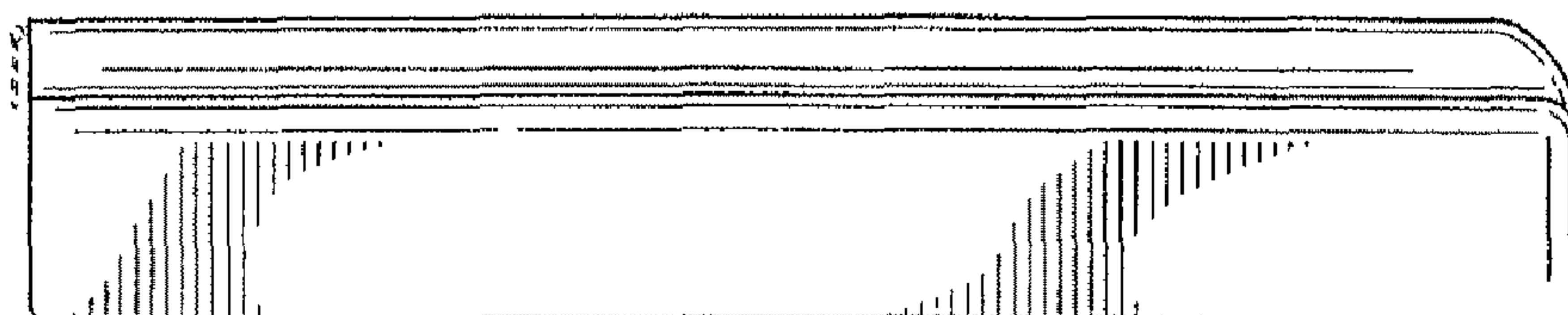


FIG. 7

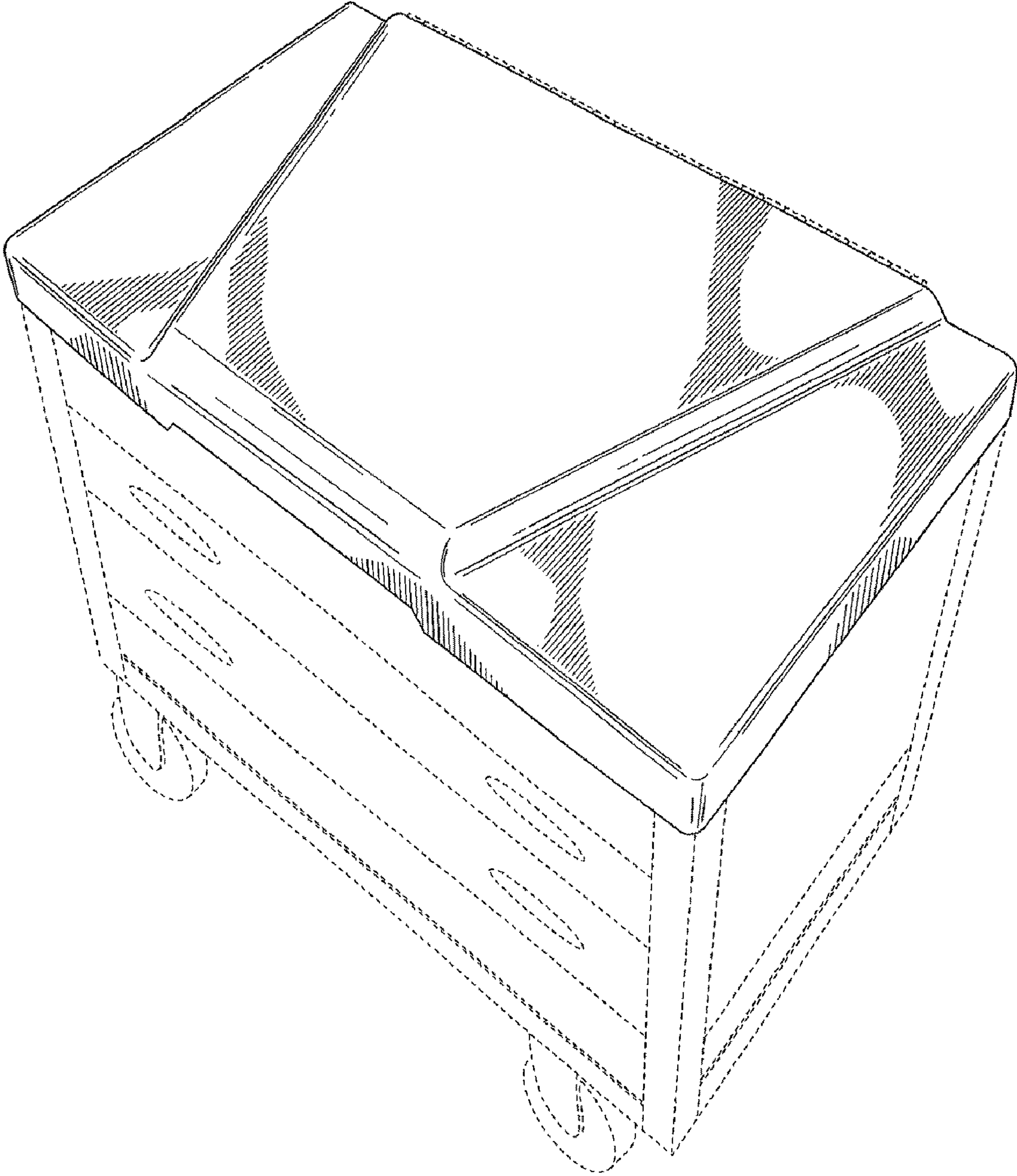


FIG. 8