



US00D627531S

(12) **United States Design Patent**
Benson et al.

(10) **Patent No.:** **US D627,531 S**
(45) **Date of Patent:** **** Nov. 16, 2010**

(54) **HANDHELD CLEANING TOOL**

(75) Inventors: **Shaelyn D. Benson**, St. Paul, MN (US);
Paul N. Daveloose, St. Paul, MN (US);
Michael J. Kubes, Oakdale, MN (US);
Peter J. Newbould, Milan (IT); **Ivana Babic**, Milan (IT); **Lloyd S. Vasilakes**, Stillwater, MN (US); **Michael C. Molinet**, Woodbury, MN (US); **Angie M. Olson**, Ellsworth, WI (US); **Bonnie C. Lembitz**, North St. Paul, MN (US)

(73) Assignee: **3M Innovative Properties Company**, St. Paul, MN (US)

(**) Term: **14 Years**

(21) Appl. No.: **29/357,362**

(22) Filed: **Mar. 11, 2010**

(51) **LOC (9) Cl.** **04-01**

(52) **U.S. Cl.** **D32/40; D32/35**

(58) **Field of Classification Search** D32/35,
D32/40-44; 15/244.1-244.4, 209.1, 245
See application file for complete search history.

(56) **References Cited**

U.S. PATENT DOCUMENTS

D292,449 S * 10/1987 Anderson D4/116
5,321,868 A * 6/1994 Coulson et al. 15/245.1
D351,696 S * 10/1994 Adolf D32/40

D356,408 S * 3/1995 Adolf D32/40
D388,569 S * 12/1997 Israel D32/41
D481,501 S * 10/2003 Richter D32/41
D548,907 S * 8/2007 Killen D32/41
7,363,678 B2 * 4/2008 Varner 15/245

* cited by examiner

Primary Examiner—Robin V Webster

(74) *Attorney, Agent, or Firm*—Trisha D. Adamson

(57) **CLAIM**

The ornamental design for a hand-held cleaning tool, as shown and described.

DESCRIPTION

FIG. 1 is a perspective view showing the new design for a handheld cleaning tool;

FIG. 2 is a right side view thereof, the left side view being a mirror image thereof;

FIG. 3 is a top view thereof;

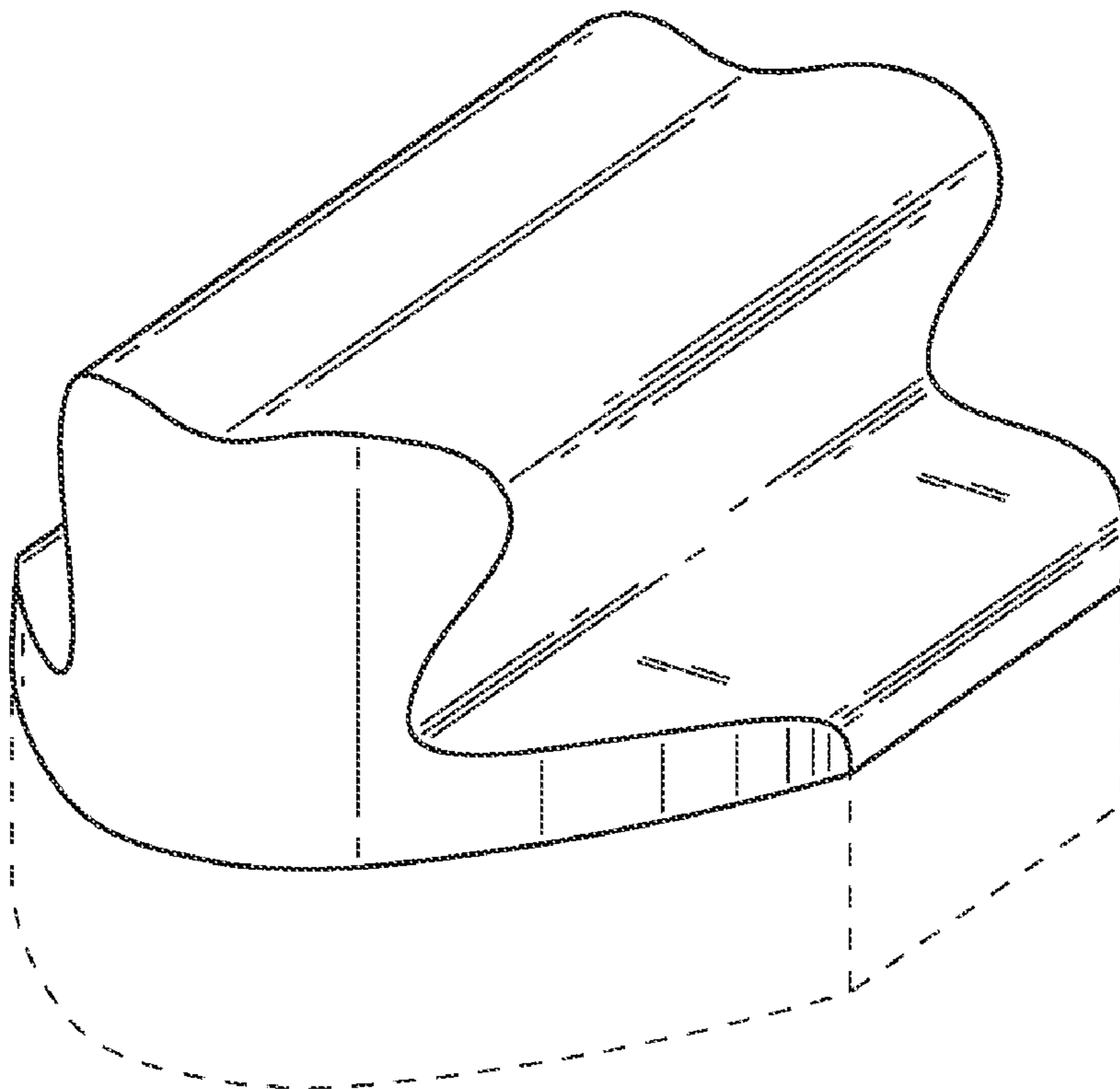
FIG. 4 is a bottom view thereof;

FIG. 5 is a front view thereof; and,

FIG. 6 is a rear view thereof.

The broken lines in the drawings are shown for illustrative purposes only and form no part of the claimed design. In addition, the surface shading illustrated in the drawings is provided to highlight contour of design; it is not intended to be illustrative of texture or gloss.

1 Claim, 2 Drawing Sheets



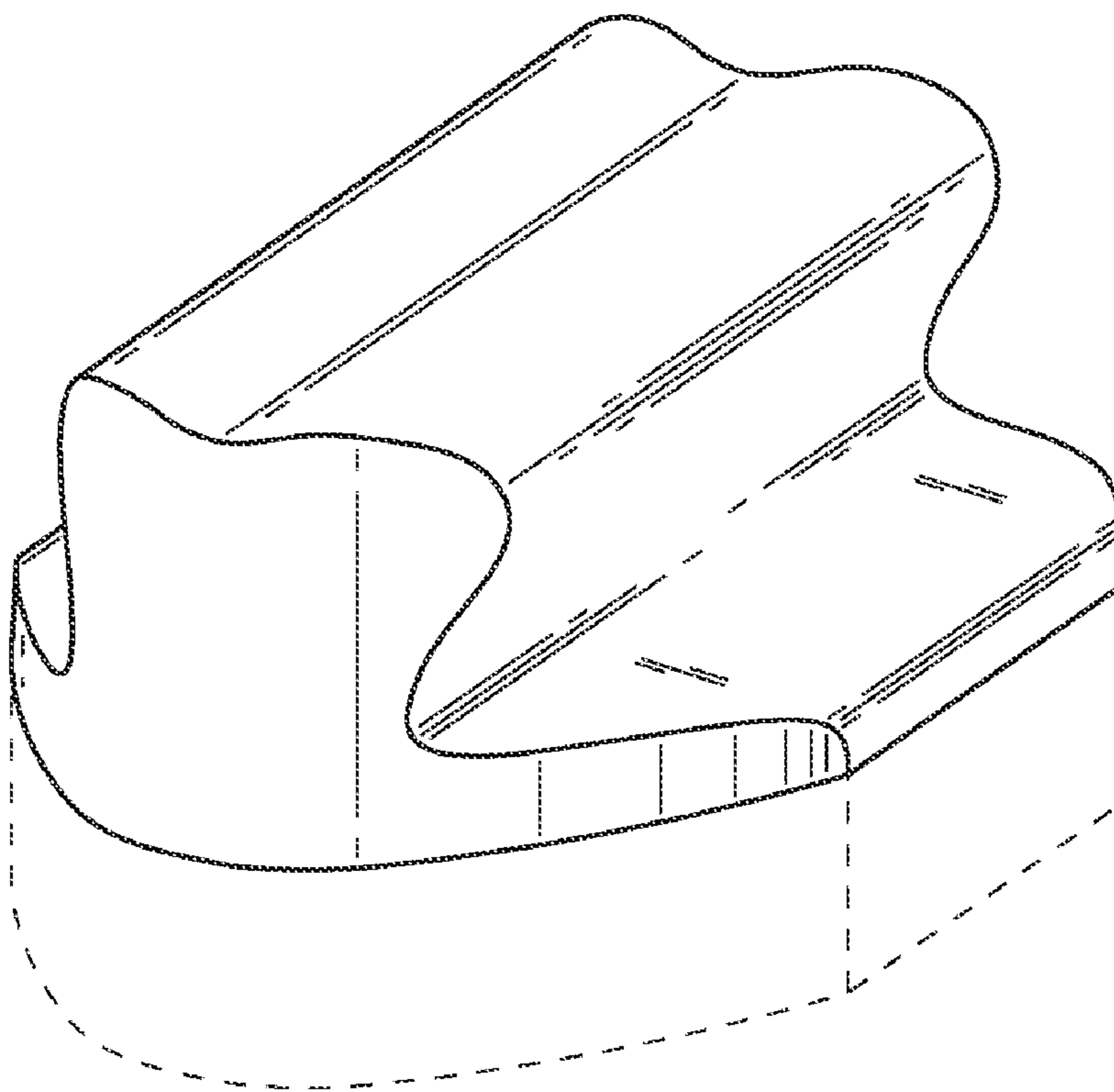


Fig. 1

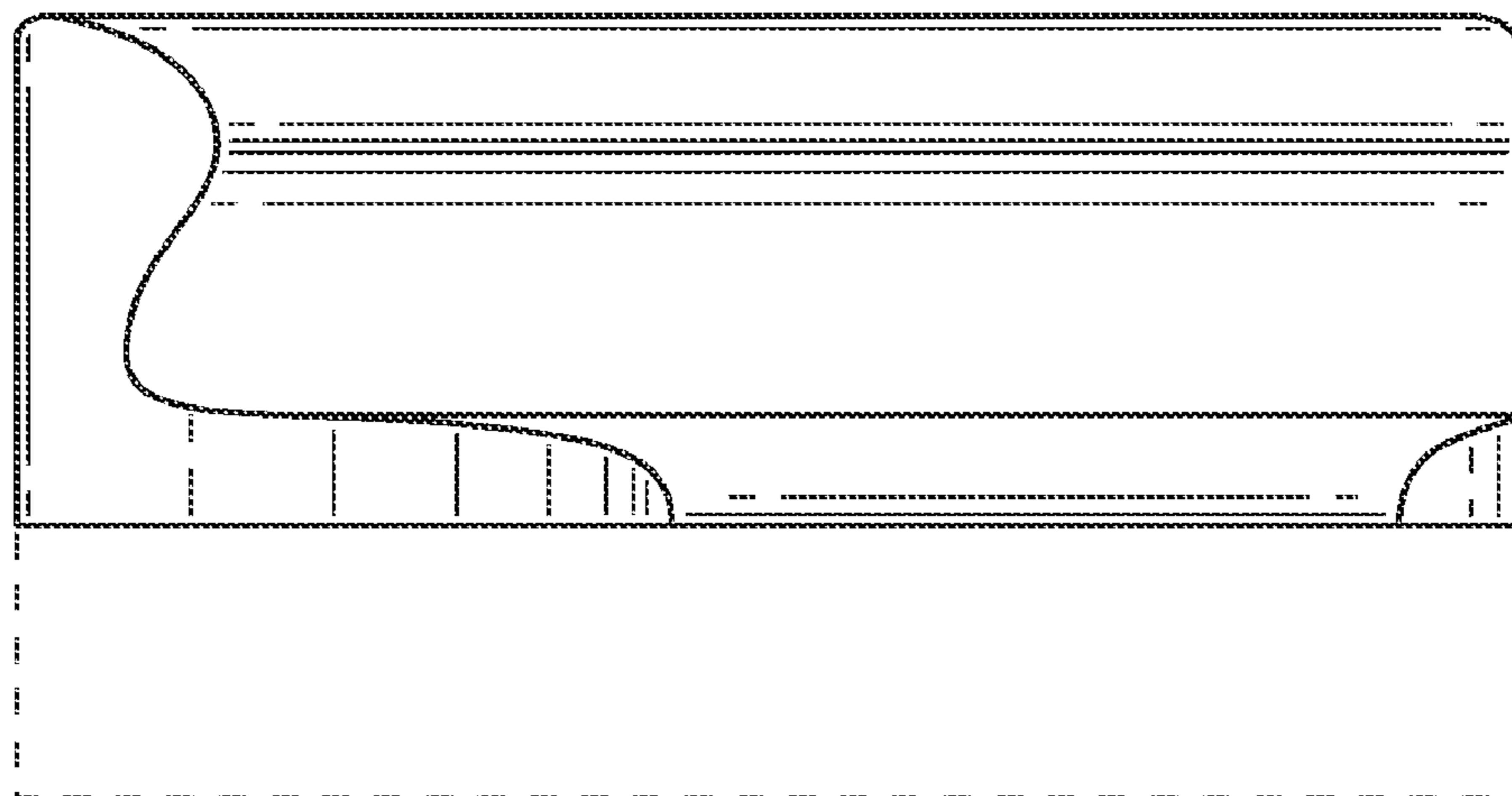


Fig. 2

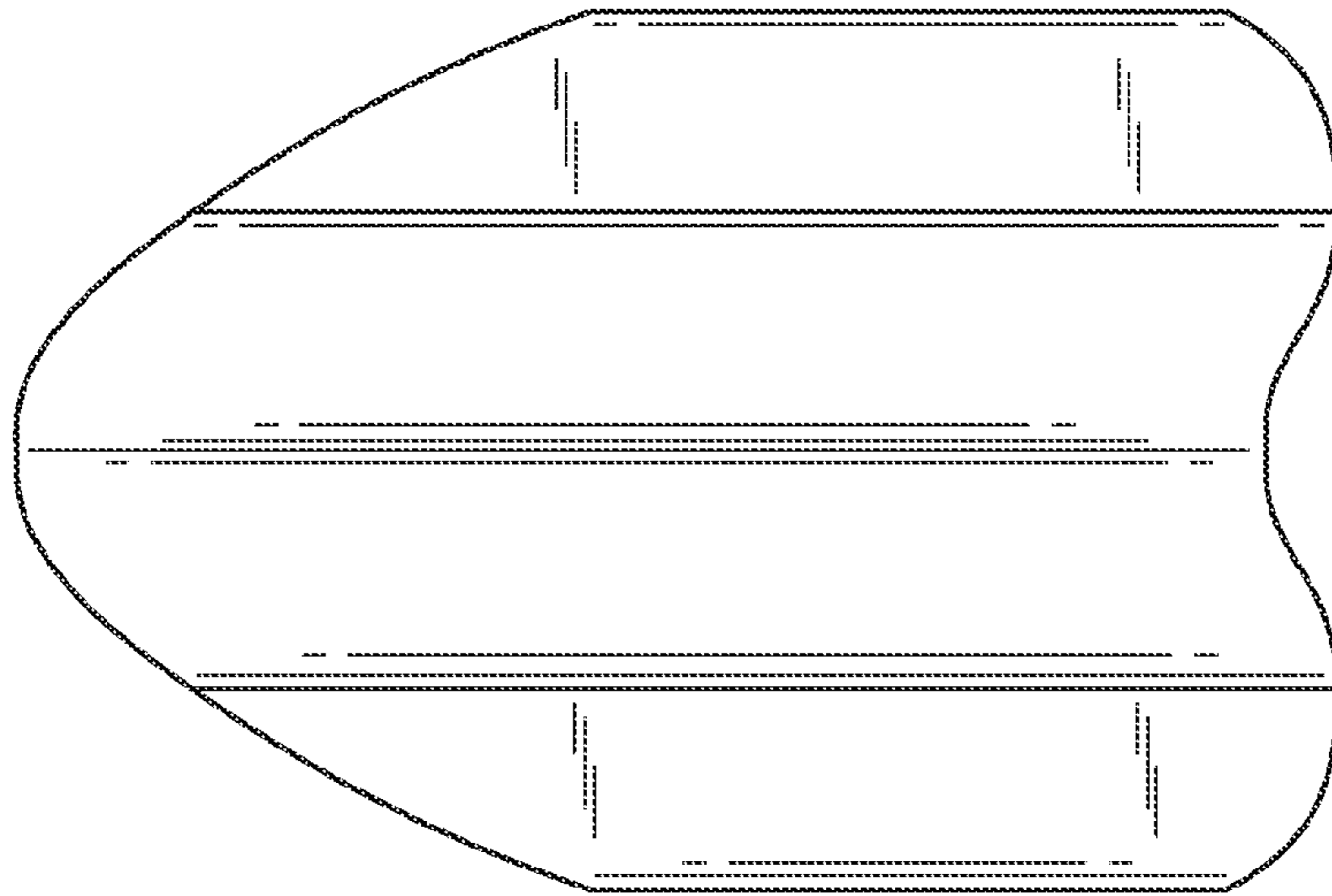


Fig. 3

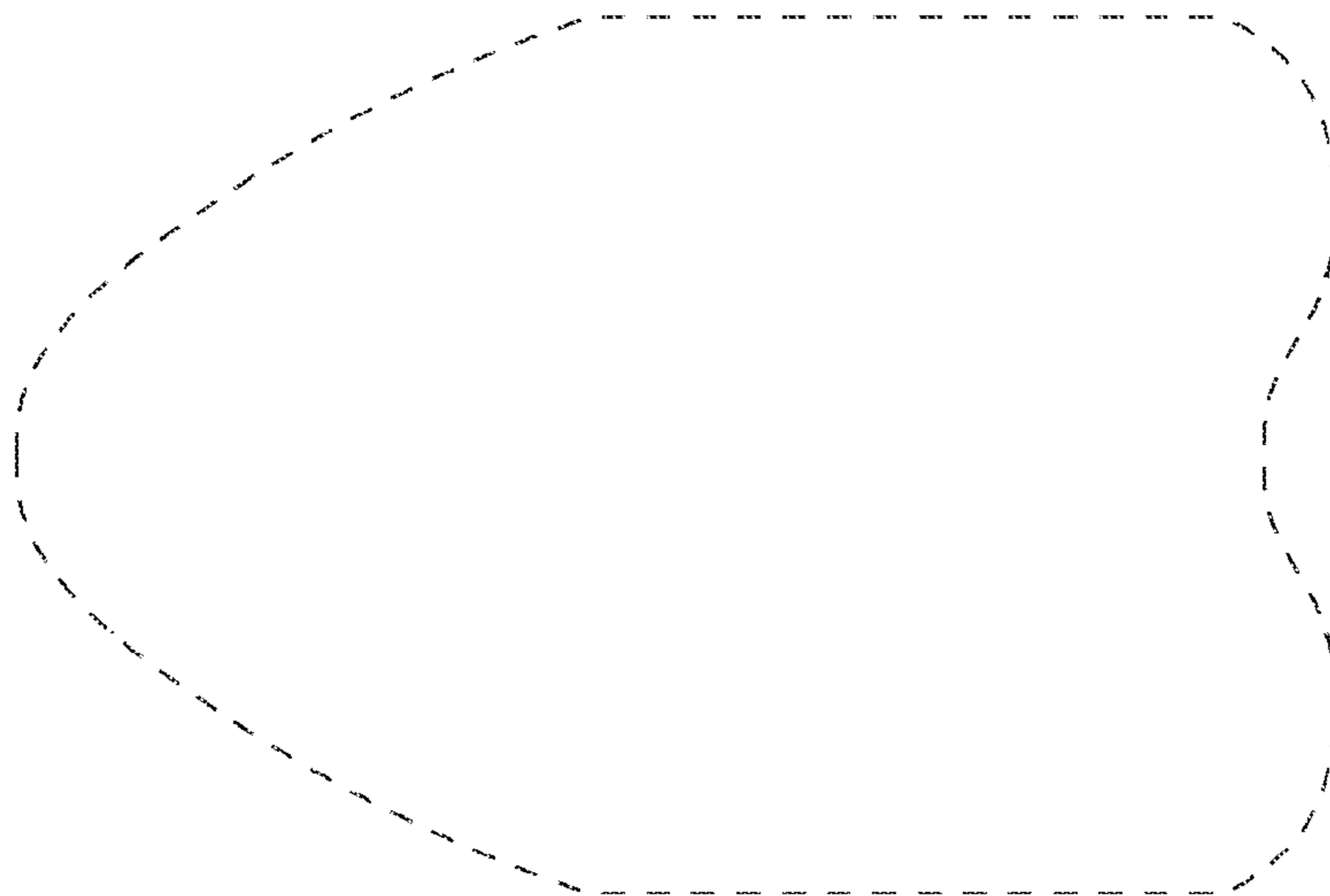


Fig. 4

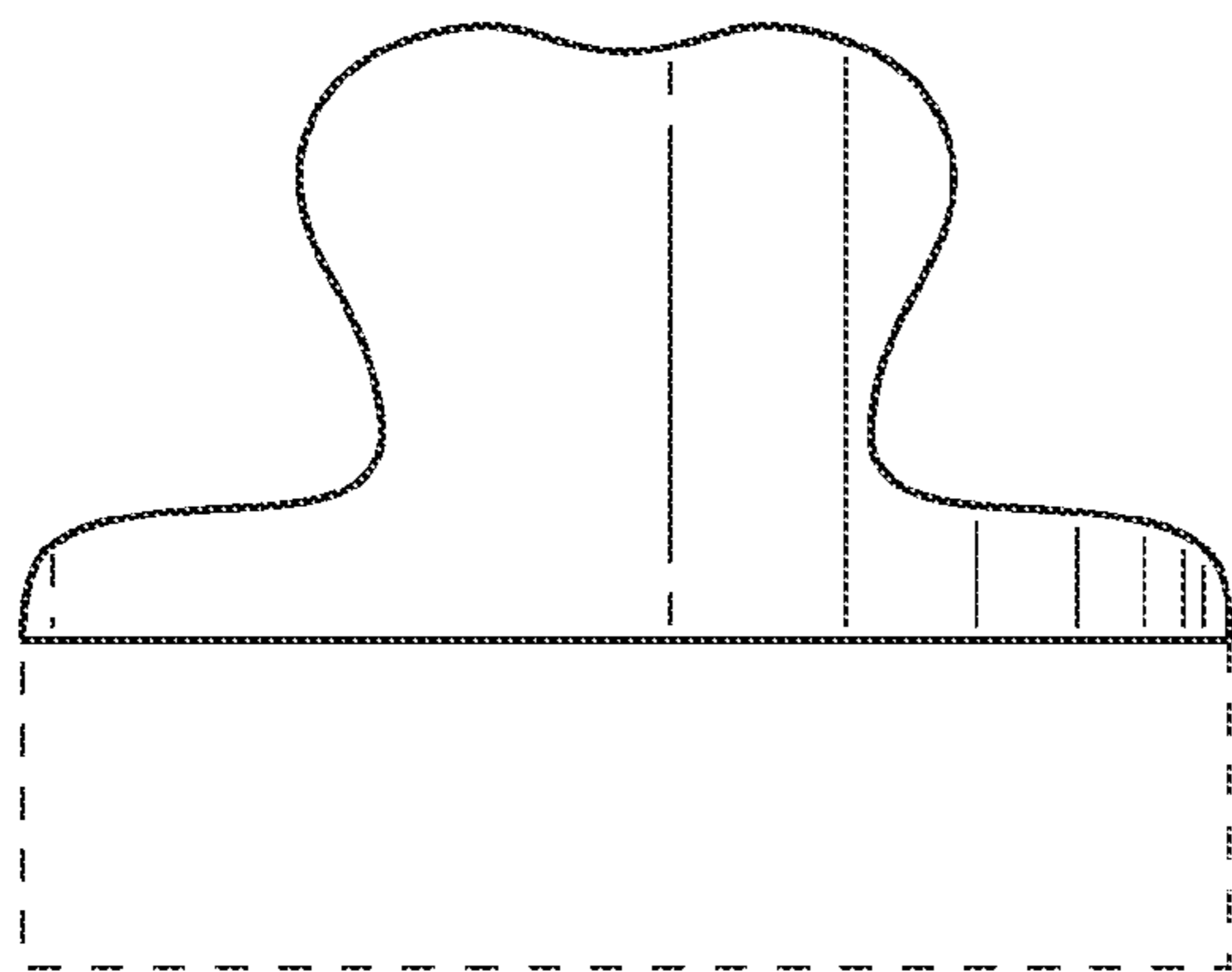


Fig. 5

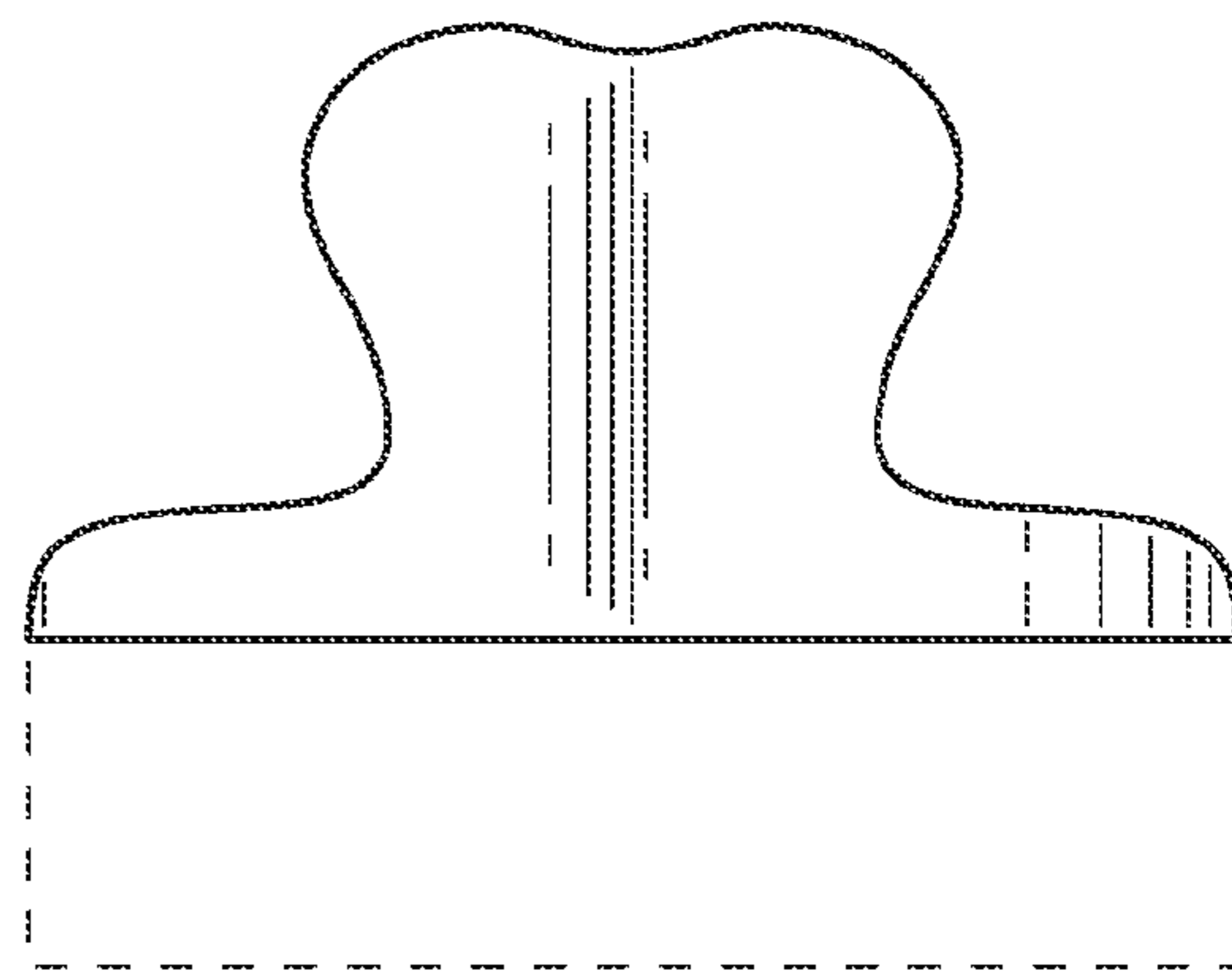


Fig. 6