



US00D627530S

(12) **United States Design Patent**
Benson et al.

(10) **Patent No.:** **US D627,530 S**

(45) **Date of Patent:** **** Nov. 16, 2010**

(54) **CLEANING TOOL**

(75) Inventors: **Shaelyn D. Benson**, St. Paul, MN (US);
Paul N. Daveloose, St. Paul, MN (US);
Michael J. Kubes, Oakdale, MN (US);
Peter J. Newbould, Milan (IT); **Ivana Babic**, Milan (IT); **Lloyd S. Vasilakes**, Stillwater, MN (US); **Michael C. Molinet**, Woodbury, MN (US); **Angie M. Olson**, Ellsworth, WI (US); **Bonnie C. Lembitz**, North St. Paul, MN (US)

(73) Assignee: **3M Innovative Properties Company**, St. Paul, MN (US)

(**) Term: **14 Years**

(21) Appl. No.: **29/357,355**

(22) Filed: **Mar. 11, 2010**

(51) **LOC (9) Cl.** **04-01**

(52) **U.S. Cl.** **D32/40; D32/35**

(58) **Field of Classification Search** D32/35,
D32/40-44; 15/244.1-244.4, 209.1, 245
See application file for complete search history.

(56) **References Cited**

U.S. PATENT DOCUMENTS

3,864,778 A 2/1975 Vopat et al.
D292,449 S * 10/1987 Anderson D4/116
5,003,659 A 4/1991 Paepke
5,321,868 A * 6/1994 Coulson et al. 15/245.1
D351,696 S * 10/1994 Adolf D32/40
D356,408 S * 3/1995 Adolf D32/40
D360,506 S 7/1995 McPherson

D388,569 S * 12/1997 Israel D32/41
5,987,687 A 11/1999 Kilburn
6,233,771 B1 5/2001 Hortel et al.
D481,501 S * 10/2003 Richter D32/41
D530,594 S 10/2006 Soller et al.
D548,907 S * 8/2007 Killen D32/41
7,363,678 B2 * 4/2008 Varner 15/245
2003/0070246 A1 4/2003 Cavalheiro

* cited by examiner

Primary Examiner—Robin V Webster

(74) *Attorney, Agent, or Firm*—Irisha D. Adamson

(57) **CLAIM**

The ornamental design for a cleaning tool, as shown and described.

DESCRIPTION

FIG. 1 is a perspective view showing the new design for a cleaning tool;

FIG. 2 is a right side view thereof, the left side view being a mirror image thereof;

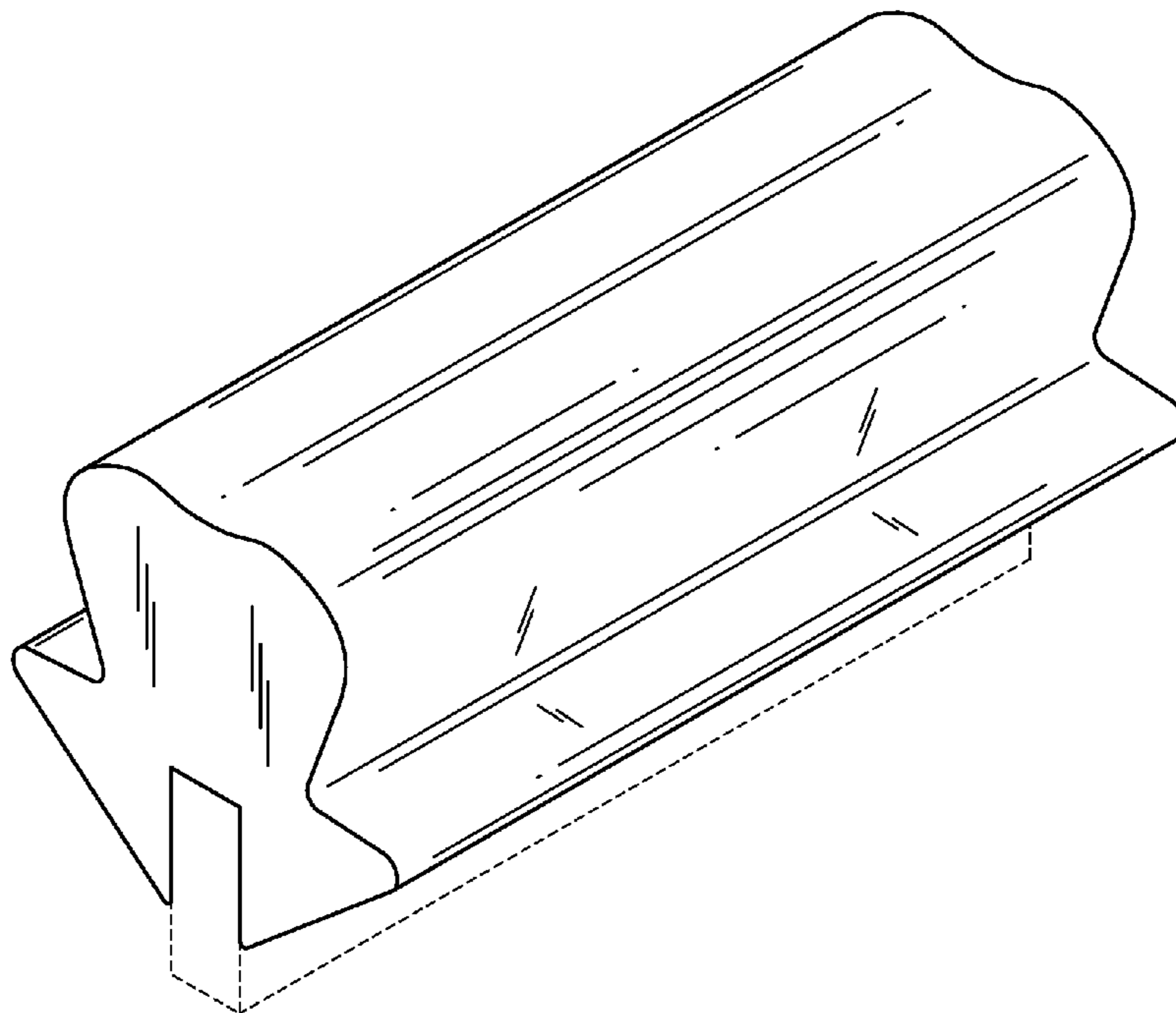
FIG. 3 is a top view thereof;

FIG. 4 is a bottom view thereof; and,

FIG. 5 is a front view thereof, the rear view being a mirror image thereof.

The broken lines in the drawings are shown for illustrative purposes only and form no part of the claimed design. In addition, the surface shading illustrated in the drawings is provided merely to highlight the contour of design; it is not intended to be illustrative of texture or gloss.

1 Claim, 2 Drawing Sheets



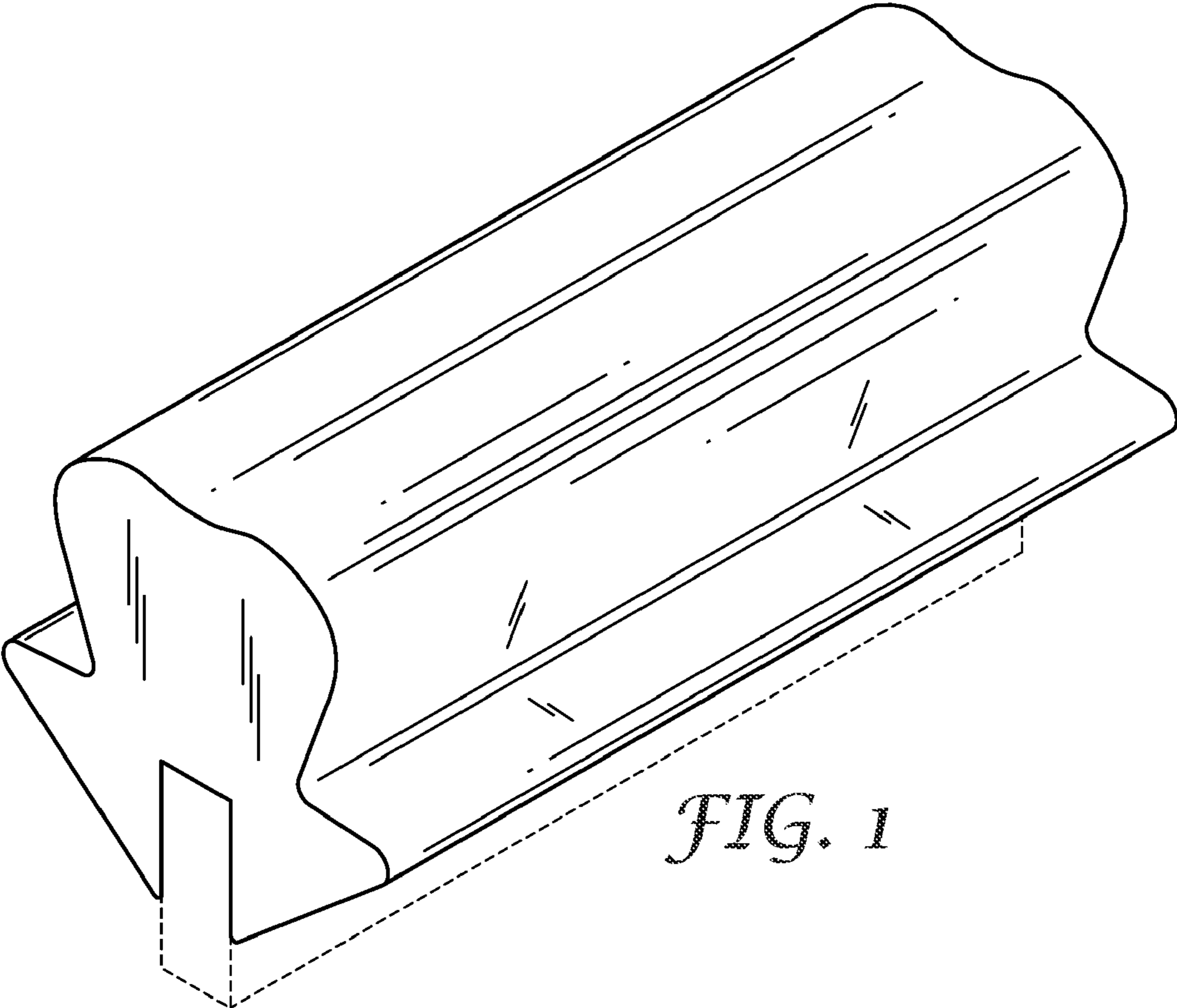


FIG. 1

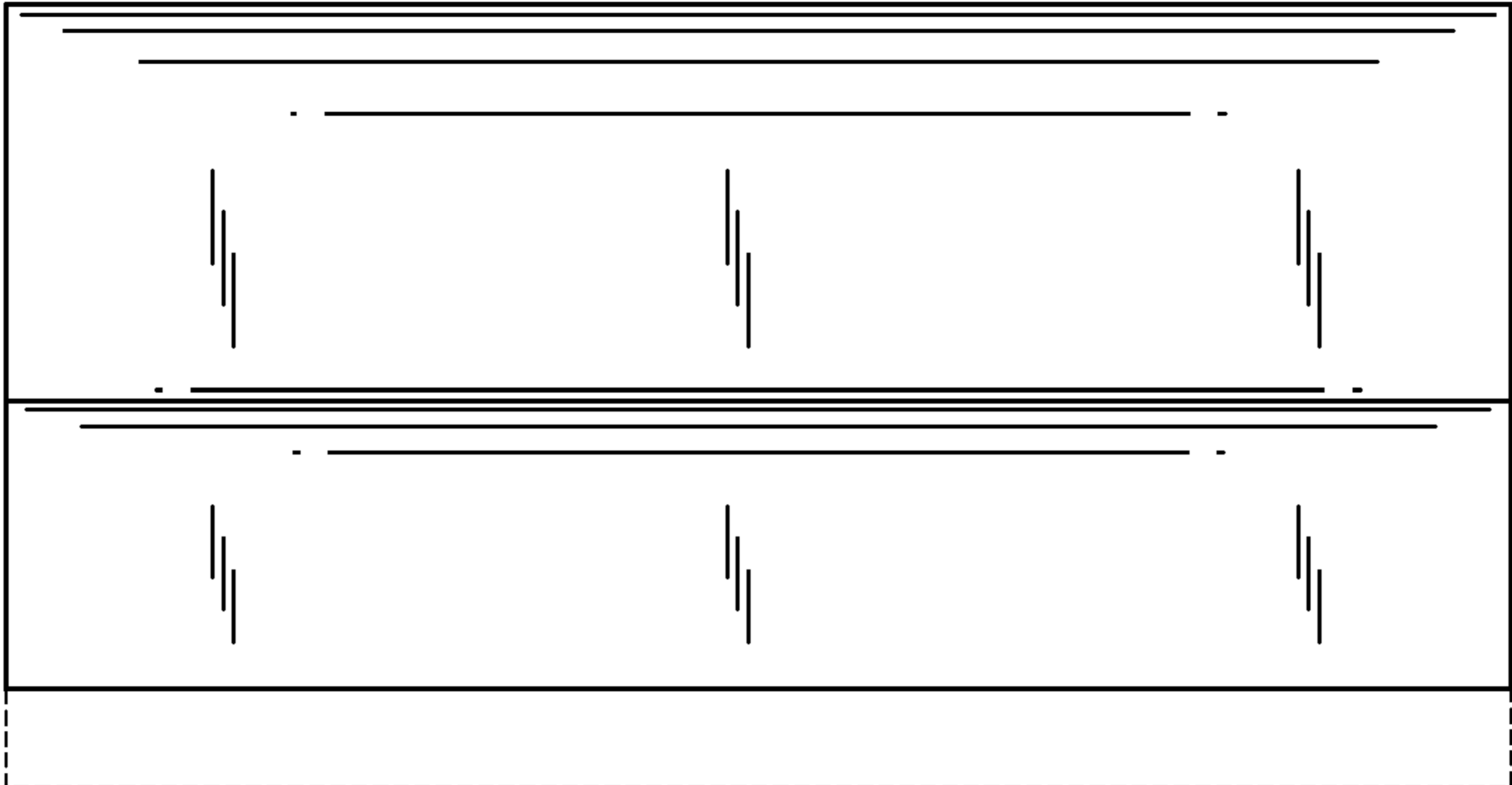


FIG. 2

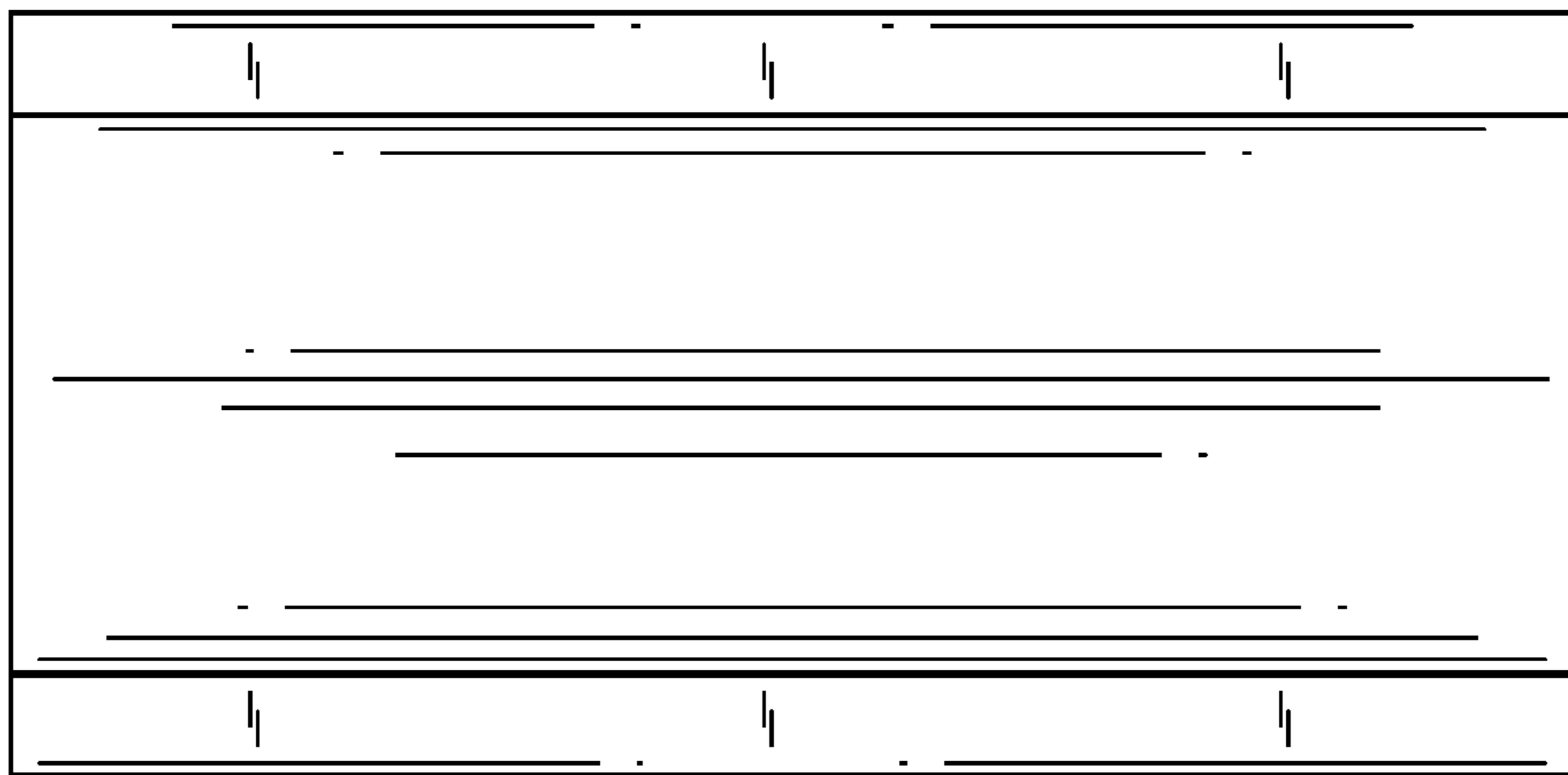


FIG. 3

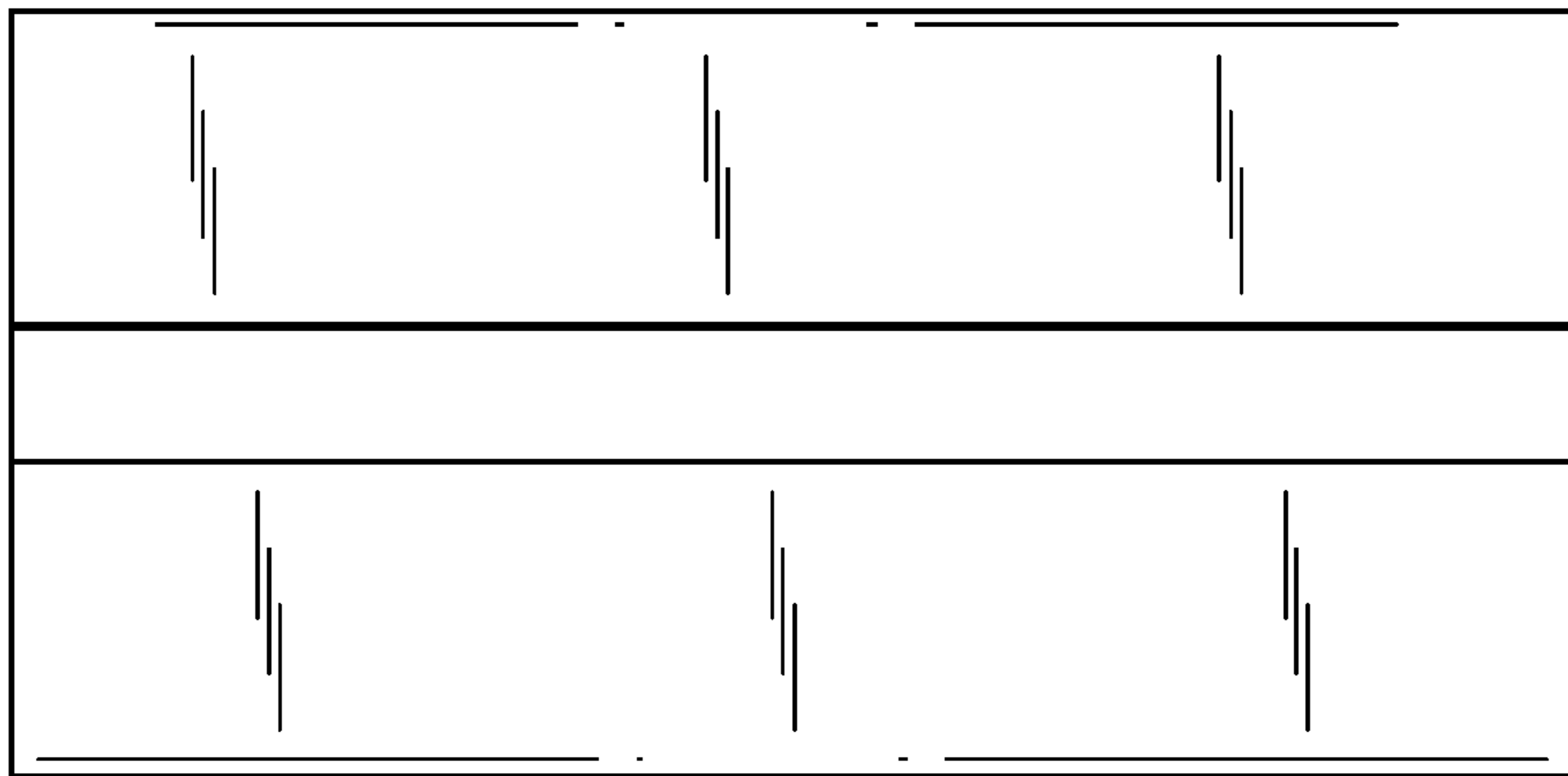


FIG. 4

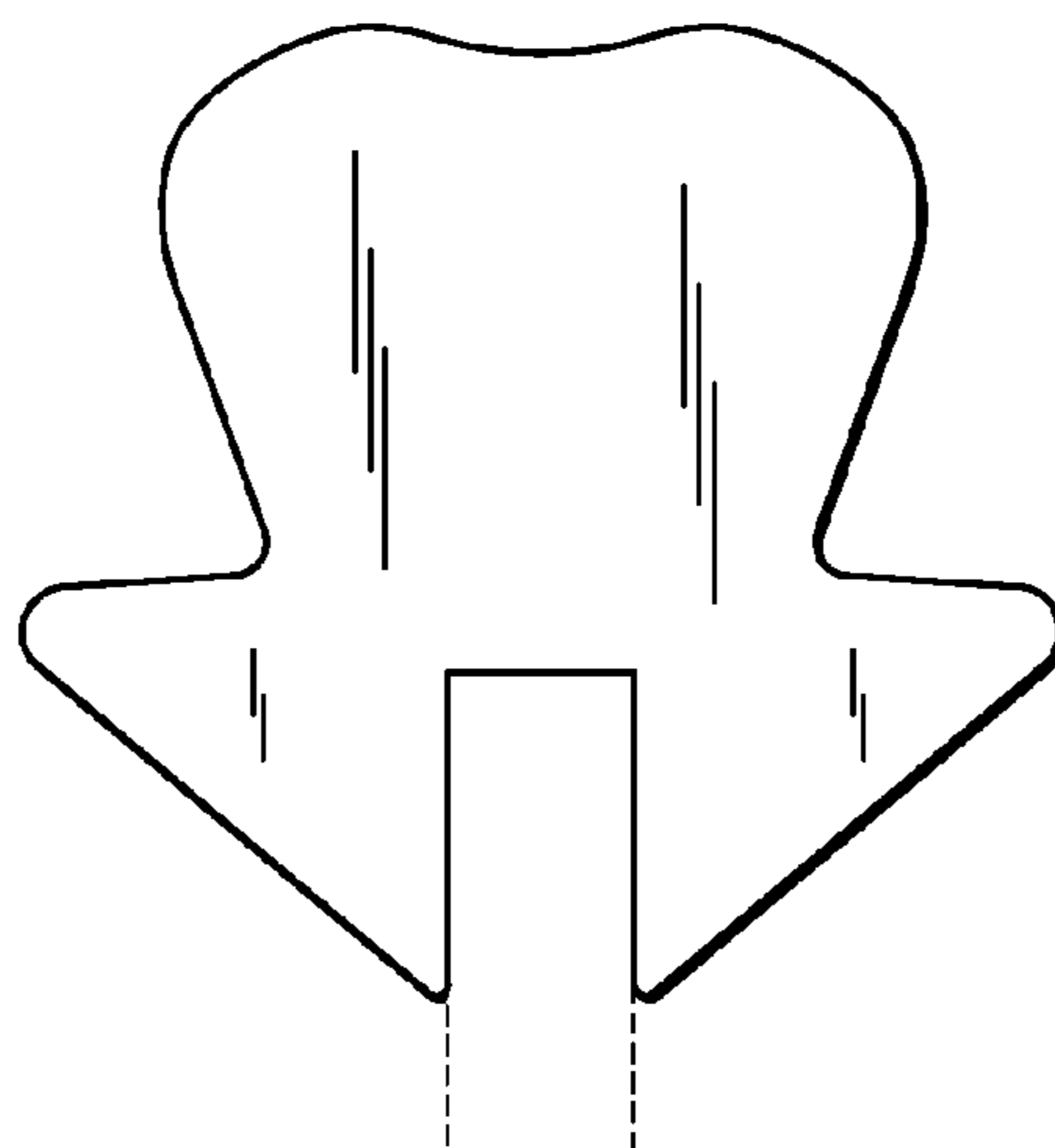


FIG. 5