



US00D627528S

(12) **United States Design Patent**  
**Billig**

(10) **Patent No.:** **US D627,528 S**

(45) **Date of Patent:** **\*\* Nov. 16, 2010**

(54) **WASHING MACHINE**

(75) Inventor: **Jason Billig**, Mount Vernon, NY (US)

(73) Assignee: **LG Electronics Inc.**, Seoul (KR)

(\*\*) Term: **14 Years**

(21) Appl. No.: **29/337,360**

(22) Filed: **May 20, 2009**

(51) **LOC (9) Cl.** ..... **15-05**

(52) **U.S. Cl.** ..... **D32/6**

(58) **Field of Classification Search** ..... D32/1,  
D32/5-6, 8, 10; 68/3 R, 5 R, 12.01; 312/31;  
34/87-88, 523-524

See application file for complete search history.

(56) **References Cited**

**U.S. PATENT DOCUMENTS**

2,416,405	A	*	2/1947	Purpura	.....	34/134
D465,622	S	*	11/2002	Wang et al.	.....	D32/6
D496,513	S	*	9/2004	Tsuda et al.	.....	D32/8
D515,256	S	*	2/2006	Tsuda et al.	.....	D32/5
D520,193	S	*	5/2006	Yokoyama	.....	D32/5
D536,143	S	*	1/2007	Takase et al.	.....	D32/5
D541,492	S	*	4/2007	Nam	.....	D32/6
D543,322	S	*	5/2007	Usui et al.	.....	D32/6

D554,306	S	*	10/2007	Nam	.....	D32/6
D575,913	S	*	8/2008	Jeon et al.	.....	D32/6
D585,164	S	*	1/2009	Kosukegawa et al.	.....	D32/5

\* cited by examiner

*Primary Examiner*—T. Chase Nelson  
*Assistant Examiner*—Kathleen M Sims

(74) *Attorney, Agent, or Firm*—Morgan, Lewis & Bockius LLP

(57) **CLAIM**

The ornamental design for a washing machine, as shown and described.

**DESCRIPTION**

FIG. 1 is a perspective view of a washing machine showing my new design;

FIG. 2 is a front view thereof;

FIG. 3 is a rear view thereof;

FIG. 4 is a left side view thereof;

FIG. 5 is a right side view thereof;

FIG. 6 is a top plan view thereof; and,

FIG. 7 is a bottom plan view thereof.

**1 Claim, 7 Drawing Sheets**

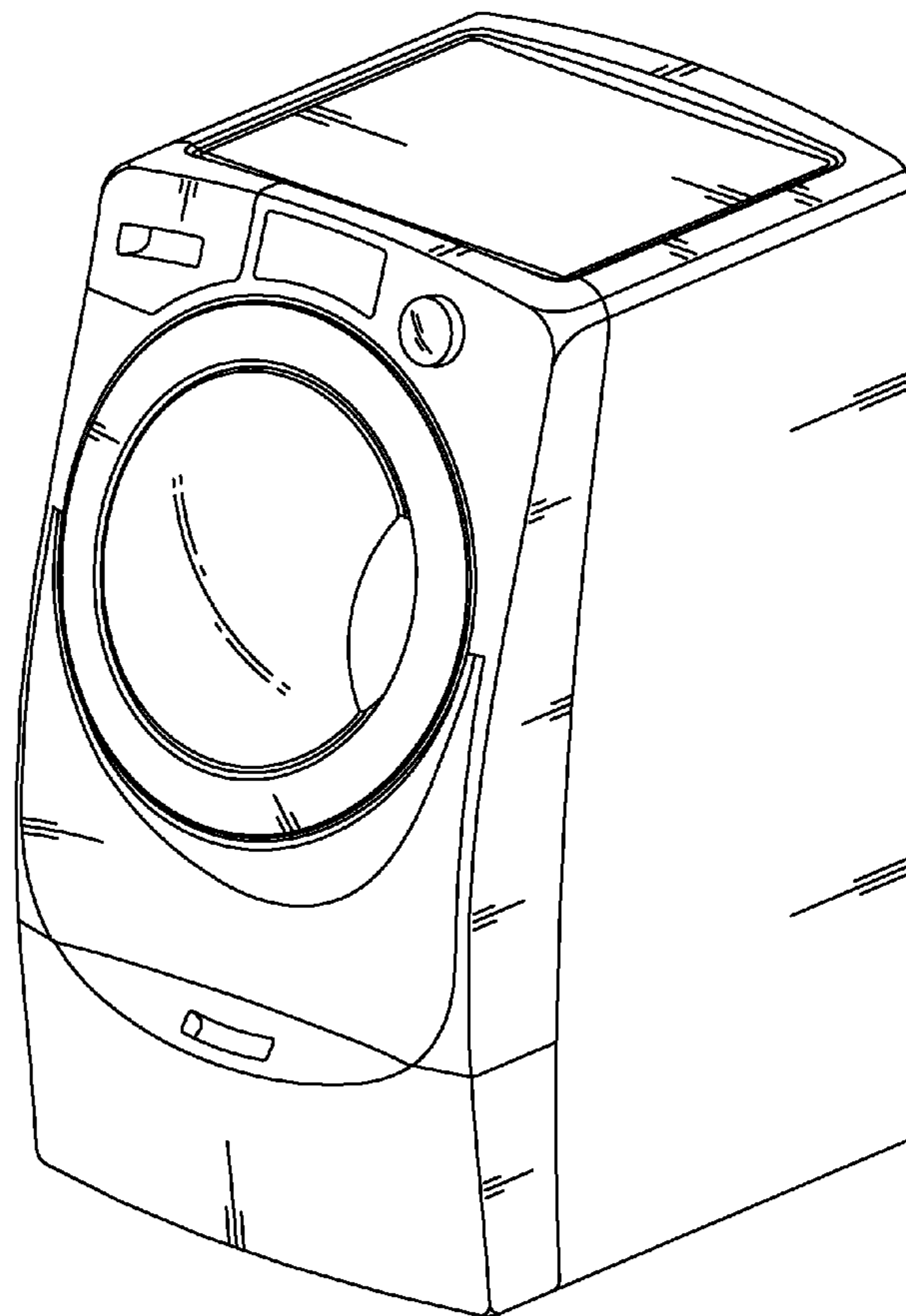


FIG. 1

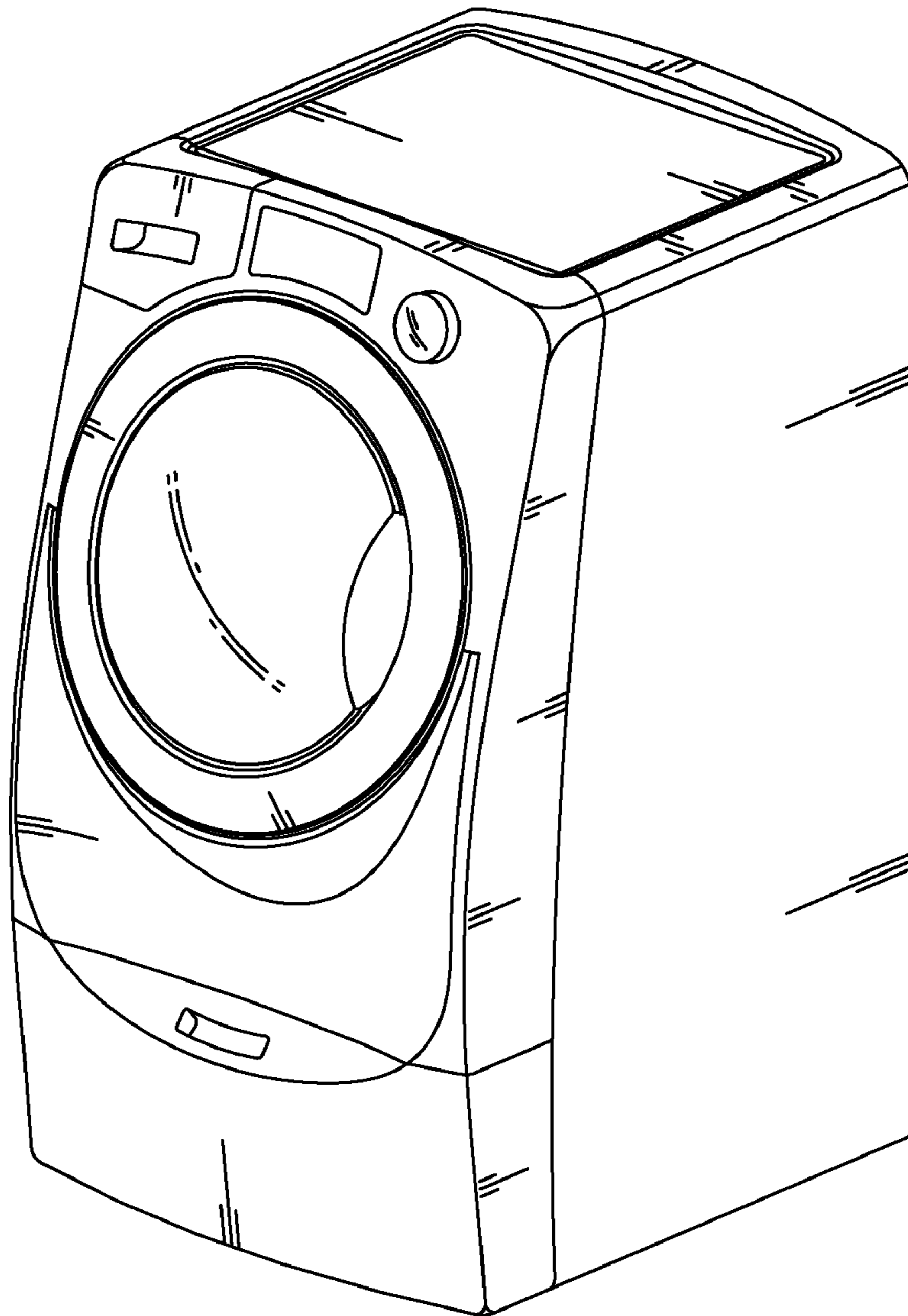


FIG. 2

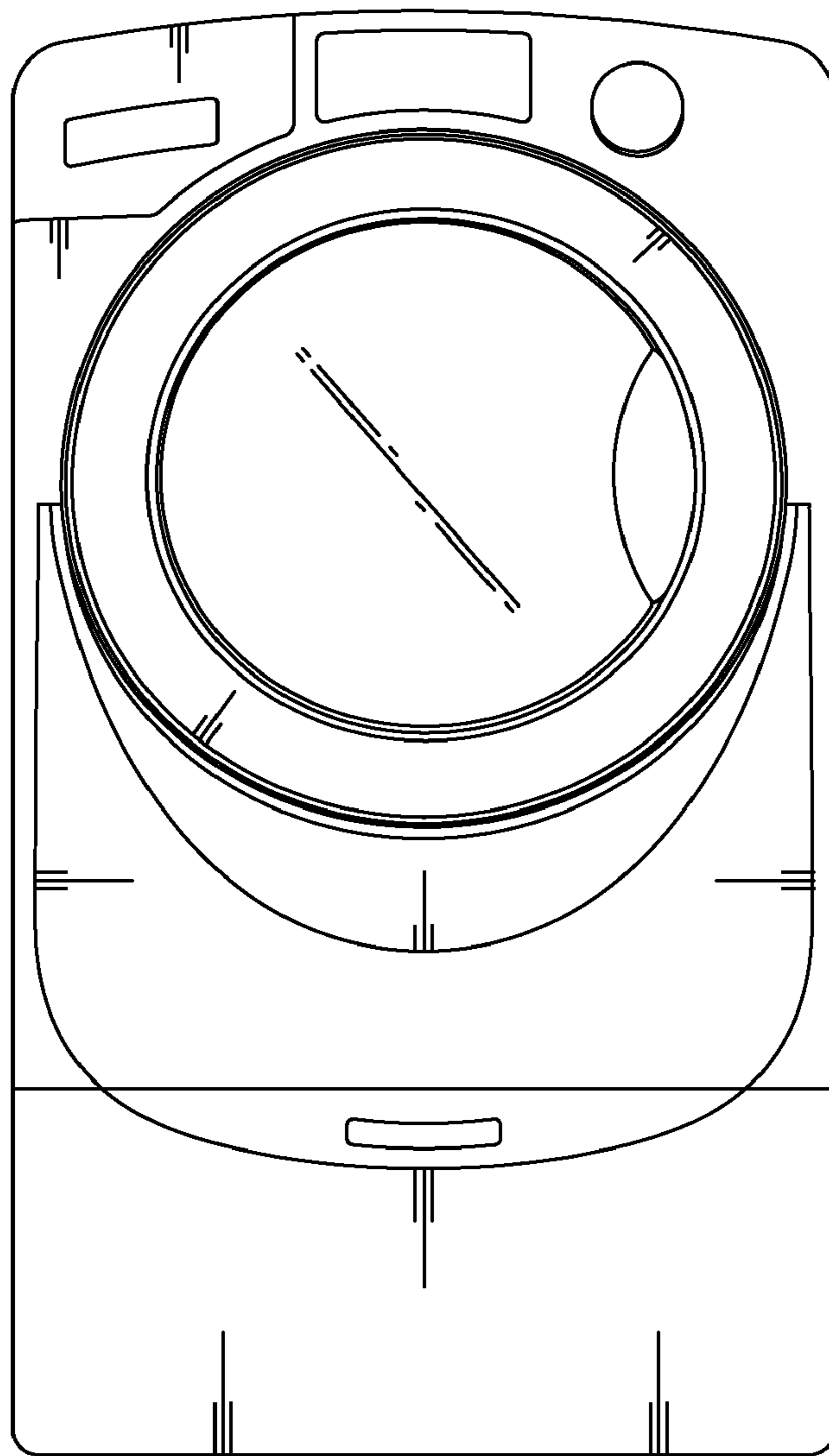


FIG. 3

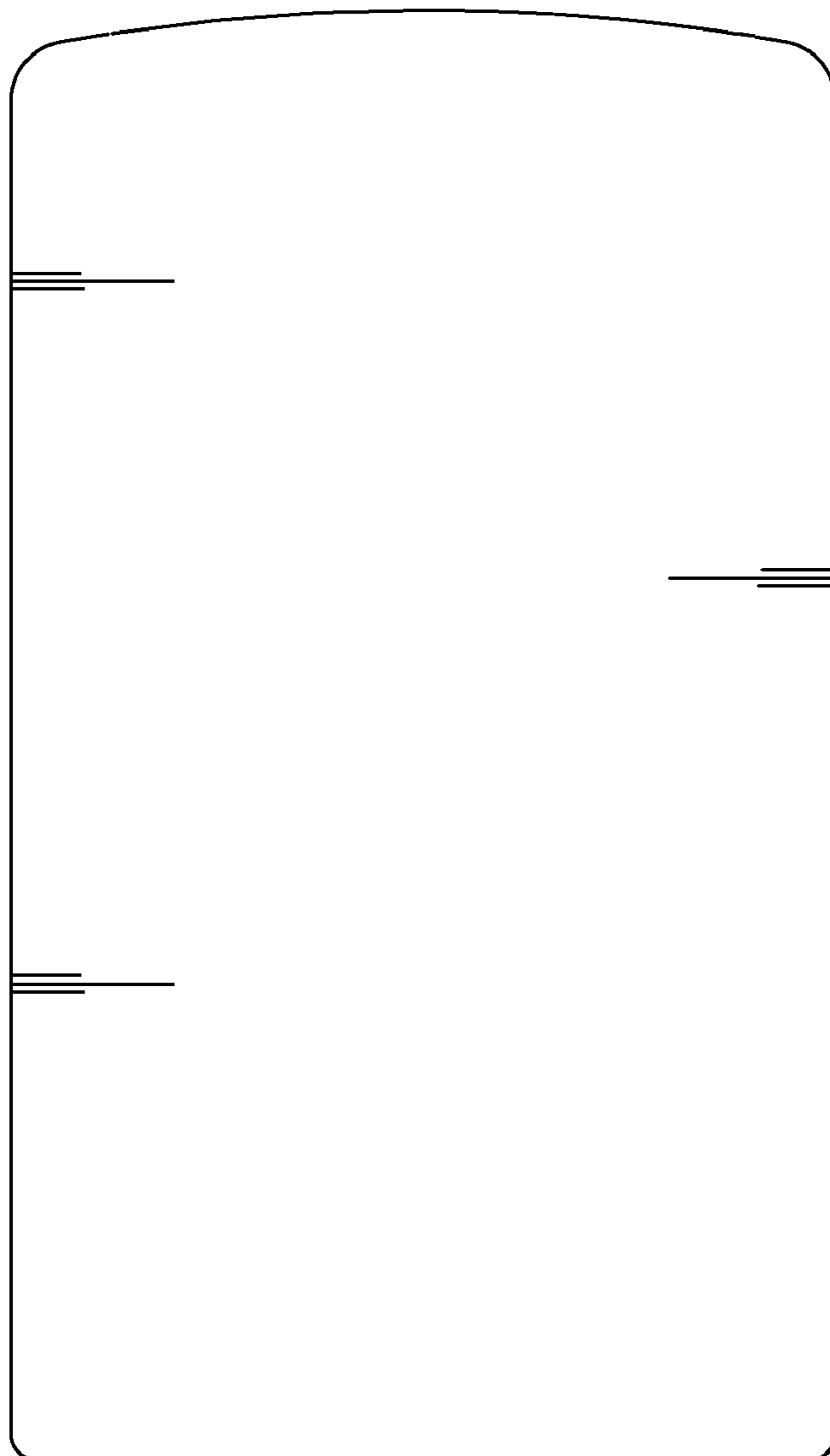


FIG. 4

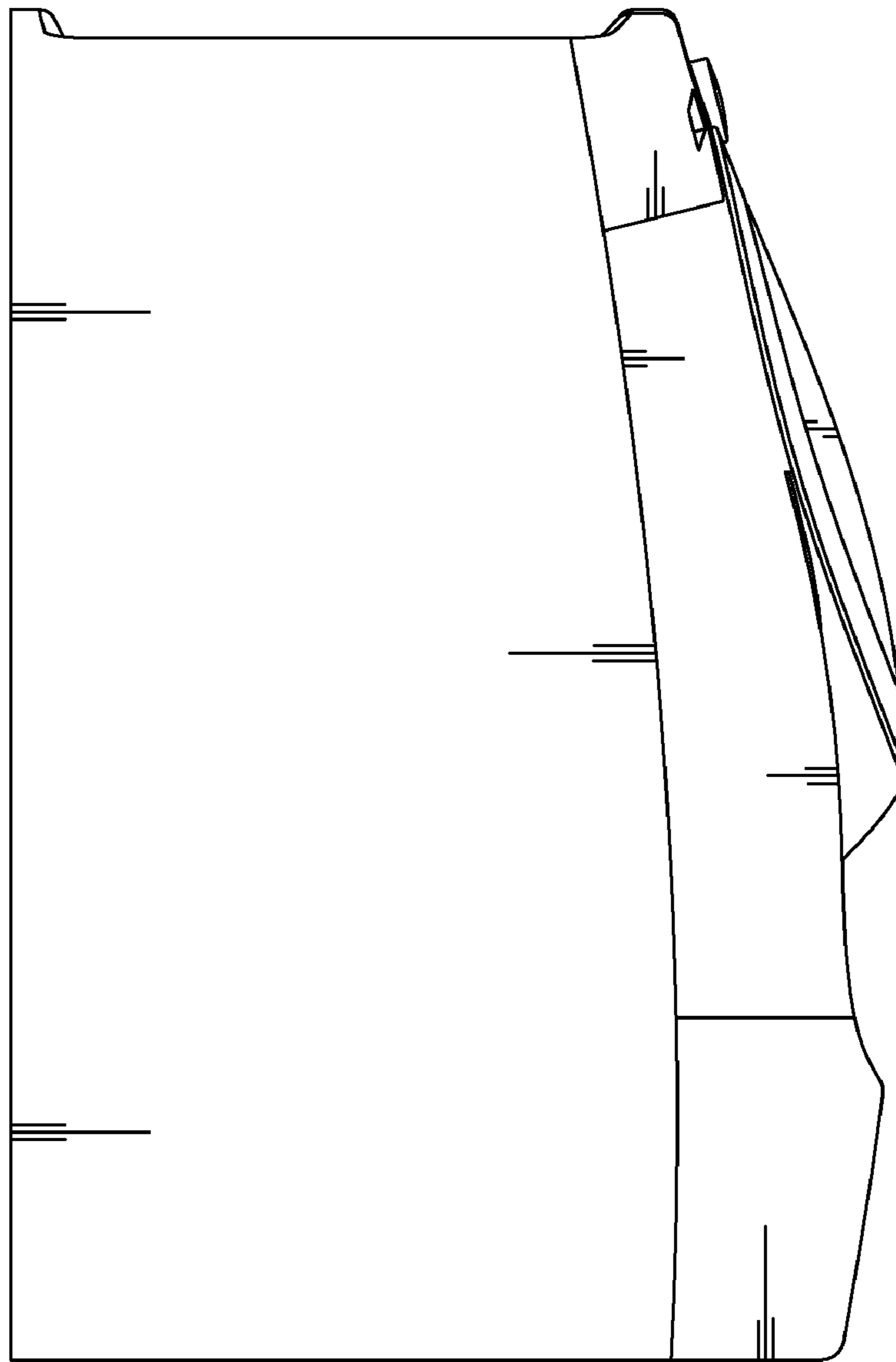


FIG. 5

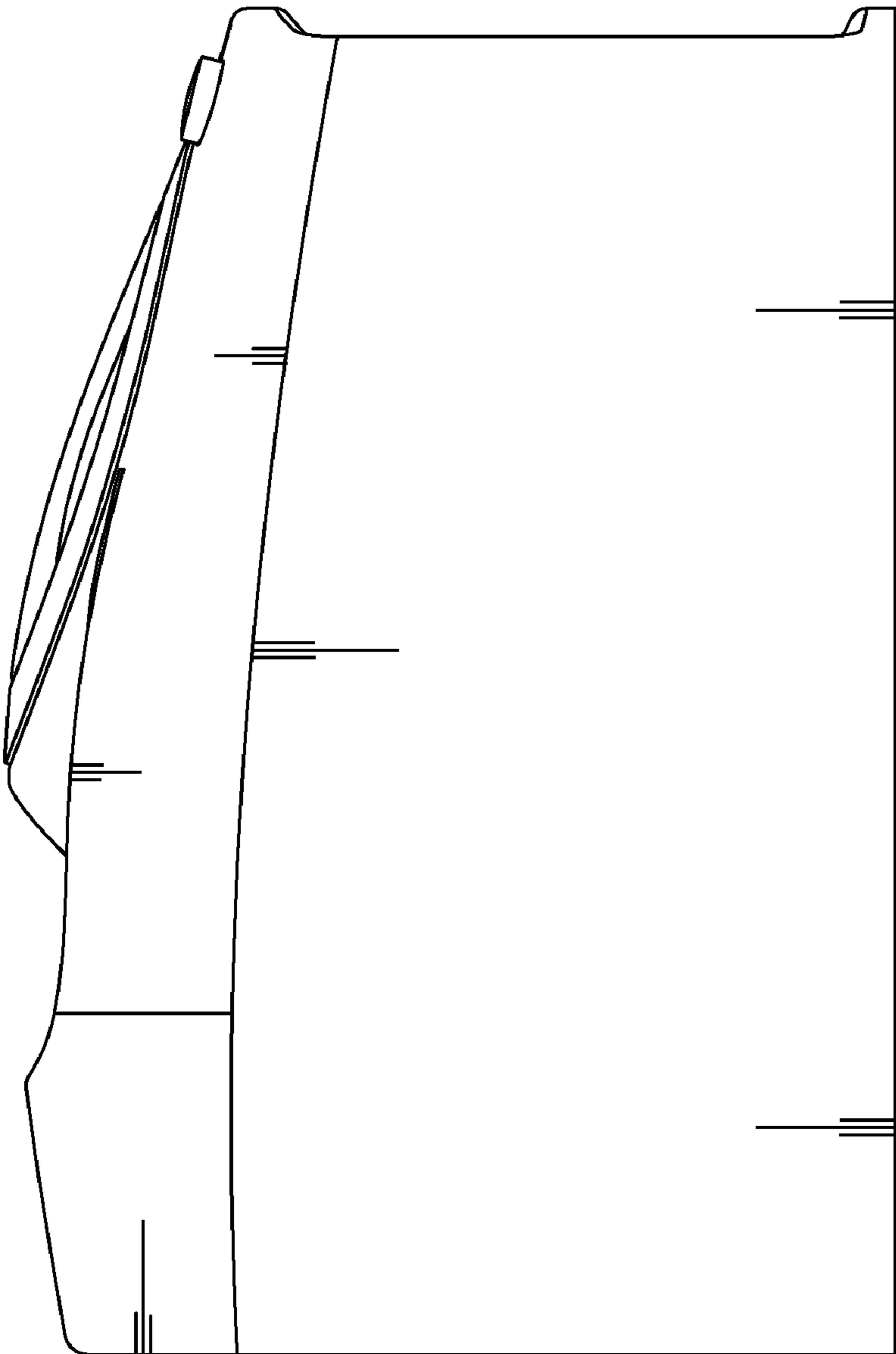


FIG. 6

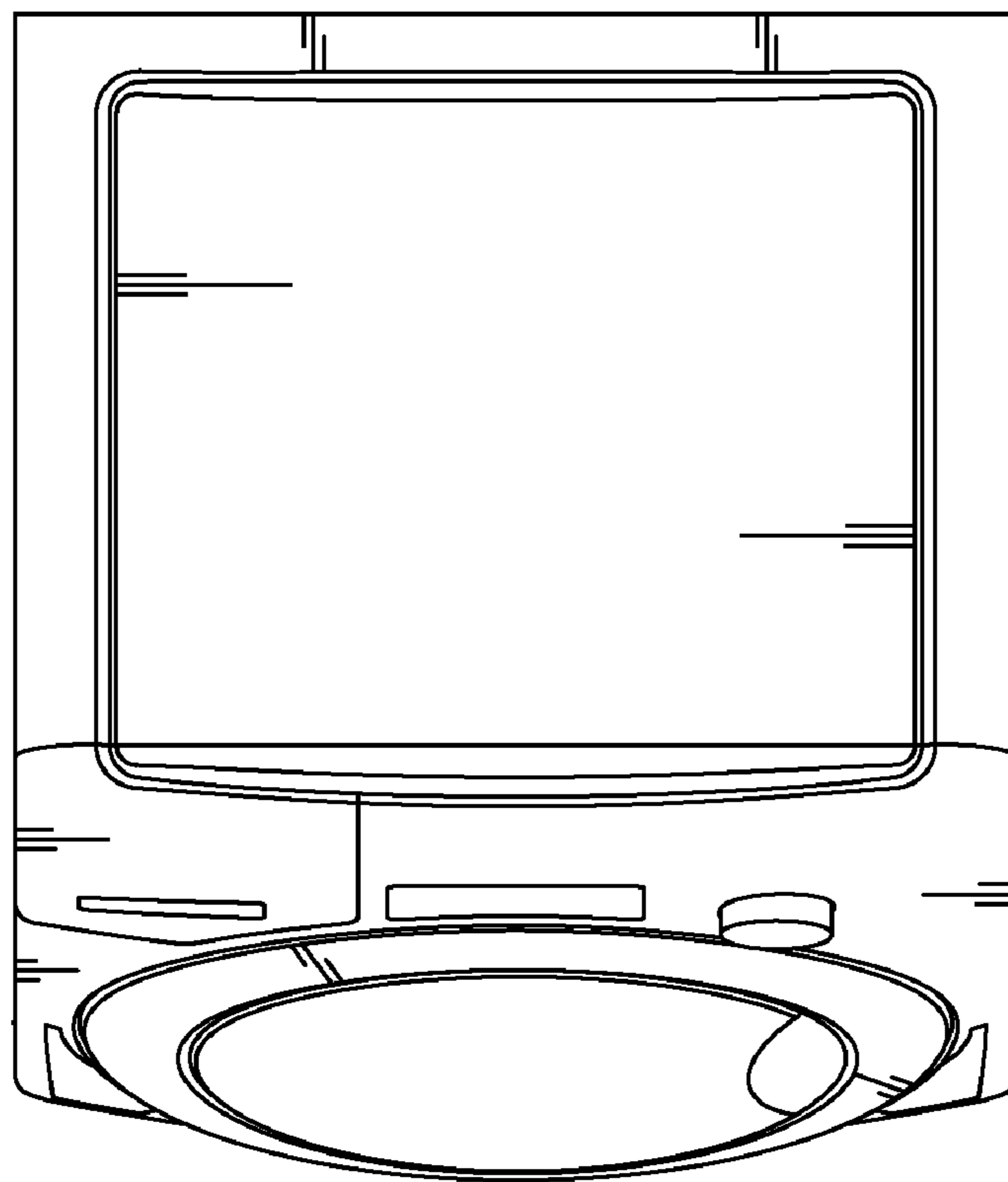


FIG. 7

