



US00D627522S

(12) **United States Design Patent**
Ragonetti et al.

(10) **Patent No.:** **US D627,522 S**
(45) **Date of Patent:** **** Nov. 16, 2010**

(54) **DIFFUSER**

(75) Inventors: **Peter Ragonetti**, Brooklyn, NY (US);
Jonathan Willinger, Tenafly, NJ (US)

(73) Assignee: **J.W. Pet Company, Inc.**, Teterboro, NJ
(US)

(**) Term: **14 Years**

(21) Appl. No.: **29/336,769**

(22) Filed: **May 8, 2009**

Related U.S. Application Data

(60) Division of application No. 29/298,482, filed on Dec. 6, 2007, now Pat. No. Des. 598,611, application No. 29/336,769, which is a continuation-in-part of application No. 12/101,522, filed on Apr. 11, 2008, now Pat. No. 7,681,529.

(51) **LOC (9) Cl.** **30-02**

(52) **U.S. Cl.** **D30/106**

(58) **Field of Classification Search** D30/101-107;
D23/205-206, 209-210, 211.1, 213, 215;
210/167.21, 167.23, 167.25, 167.26, 167.27;
119/263, 245, 247, 249, 250, 253-257, 259,
119/261, 269; D21/104, 109, 113, 386, 308,
D21/310, 313, 487, 484, 485, 490, 491; D1/116;
116/63 C, 63 P; D25/113, 115, 117, 118,
D25/122, 133, 154-156; 96/279, 351, 353,
96/344; D10/104, 109, 113

See application file for complete search history.

(56) **References Cited**

U.S. PATENT DOCUMENTS

2,762,328 A * 9/1956 Weig 116/63 C
2,817,308 A * 12/1957 Scanlon 116/63 C
2,824,728 A 2/1958 Howard
3,247,823 A * 4/1966 Buck et al. 116/63 C
3,326,184 A 6/1967 Greenbaum
3,326,185 A 6/1967 Perez

3,396,949 A 8/1968 Tsamas
3,507,253 A 4/1970 Willinger
D224,238 S 7/1972 Willinger
3,796,858 A 3/1974 Cohn
D232,102 S 7/1974 Willinger et al.

(Continued)

Primary Examiner—Stella M Reid

Assistant Examiner—Wan Laymon

(74) *Attorney, Agent, or Firm*—Katten Muchin Rosenman
LLP

(57) **CLAIM**

The ornamental designs for a diffuser, as shown and described.

DESCRIPTION

FIG. 1 is a perspective view of a first embodiment of a diffuser,

FIG. 2 is a front view thereof,

FIG. 3 is a rear view thereof,

FIG. 4 is a left-side view thereof,

FIG. 5 is a right-side view thereof,

FIG. 6 is a top view thereof,

FIG. 7 is a bottom view thereof;

FIG. 8 is a perspective view of a second embodiment of a diffuser,

FIG. 9 is a front view thereof,

FIG. 10 is a rear view thereof,

FIG. 11 is a left-side view thereof,

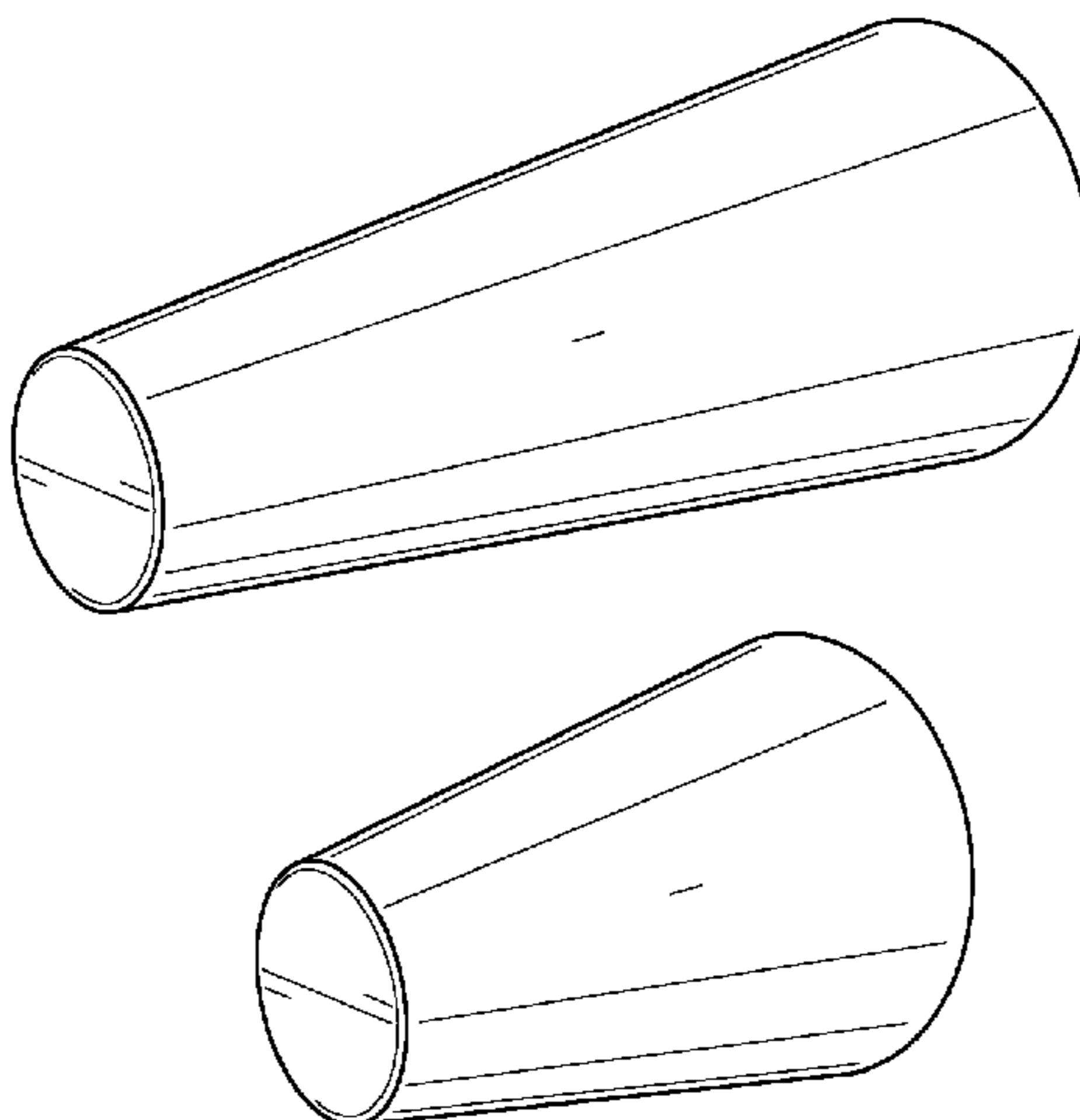
FIG. 12 is a right-side view thereof,

FIG. 13 is a top view thereof; and,

FIG. 14 is a bottom view thereof.

The broken line showing portion of the diffuser is included for the purpose of illustrating environmental structure and forms no part of the claimed design.

1 Claim, 8 Drawing Sheets



US D627,522 S

Page 2

U.S. PATENT DOCUMENTS							
3,929,102	A	12/1975	Suchowski et al.	6,276,303	B1	8/2001	Van Kley
D249,879	S	10/1978	Willinger	6,332,430	B1	12/2001	Santa Cruz et al.
D249,897	S	10/1978	Willinger	6,474,266	B1	11/2002	Arnett
4,185,743	A	1/1980	Willinger	6,499,766	B1	12/2002	Schroeder
D292,439	S	10/1987	Richter	D535,720	S	1/2007	Porter et al.
D296,463	S *	6/1988	Padilla D23/209	7,201,115	B2 *	4/2007	Willinger et al. 119/72
D309,494	S *	7/1990	Riley D23/209	7,681,529	B2 *	3/2010	Willinger et al. 119/263
5,133,906	A	7/1992	Louis	7,736,213	B2 *	6/2010	Willinger et al. 119/707
5,256,282	A	10/1993	Chang et al.	2007/0113774	A1 *	5/2007	Kuo 116/63 C
5,281,039	A *	1/1994	Hsiung et al. D21/310	2008/0011221	A1 *	1/2008	Dvoracek 116/63 C
5,476,068	A	12/1995	Townsend	2009/0051072	A1 *	2/2009	Lee 264/131
5,669,410	A *	9/1997	Furuya 119/245	2010/0041302	A1 *	2/2010	Rutherford et al. 156/292

* cited by examiner

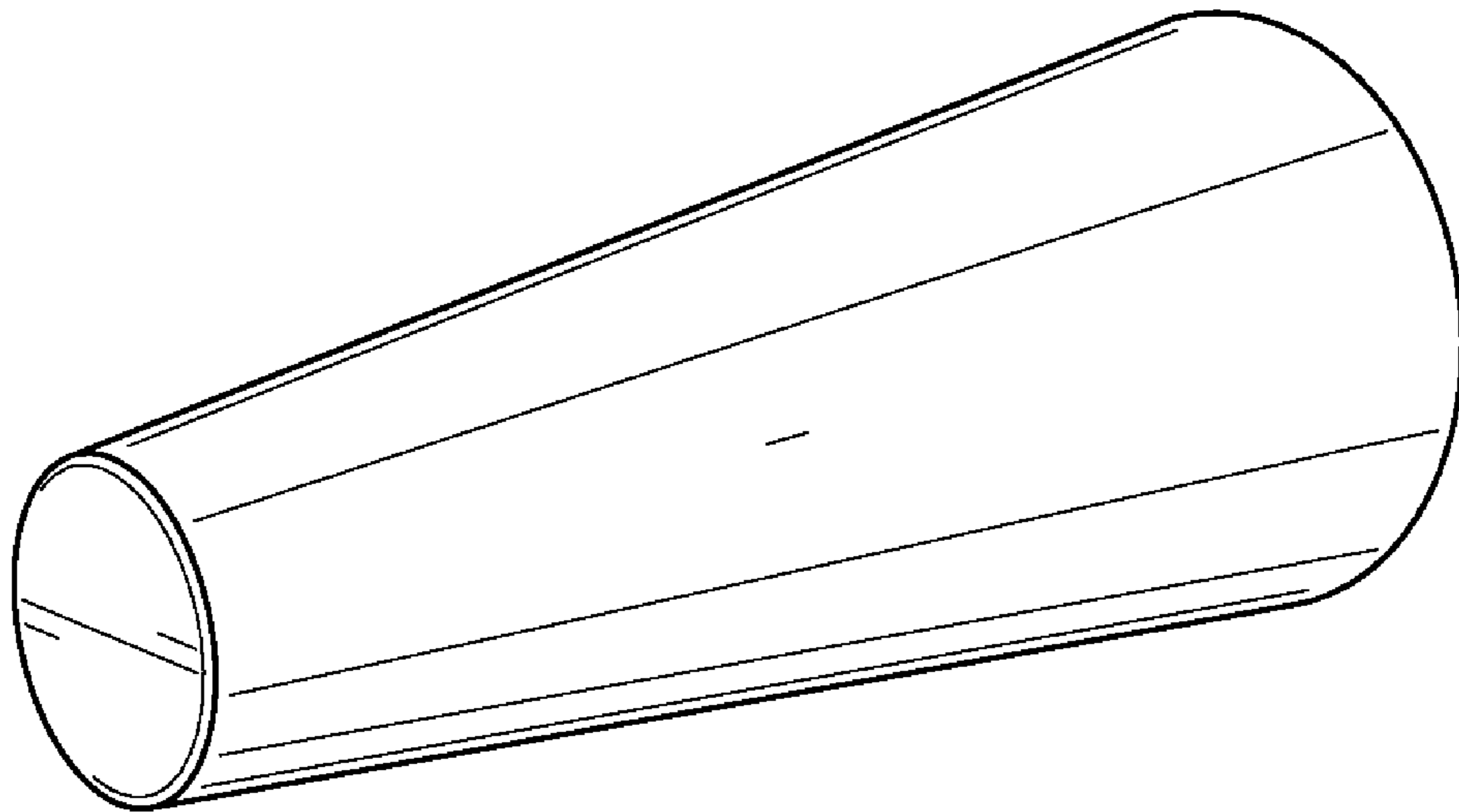


FIG. 1

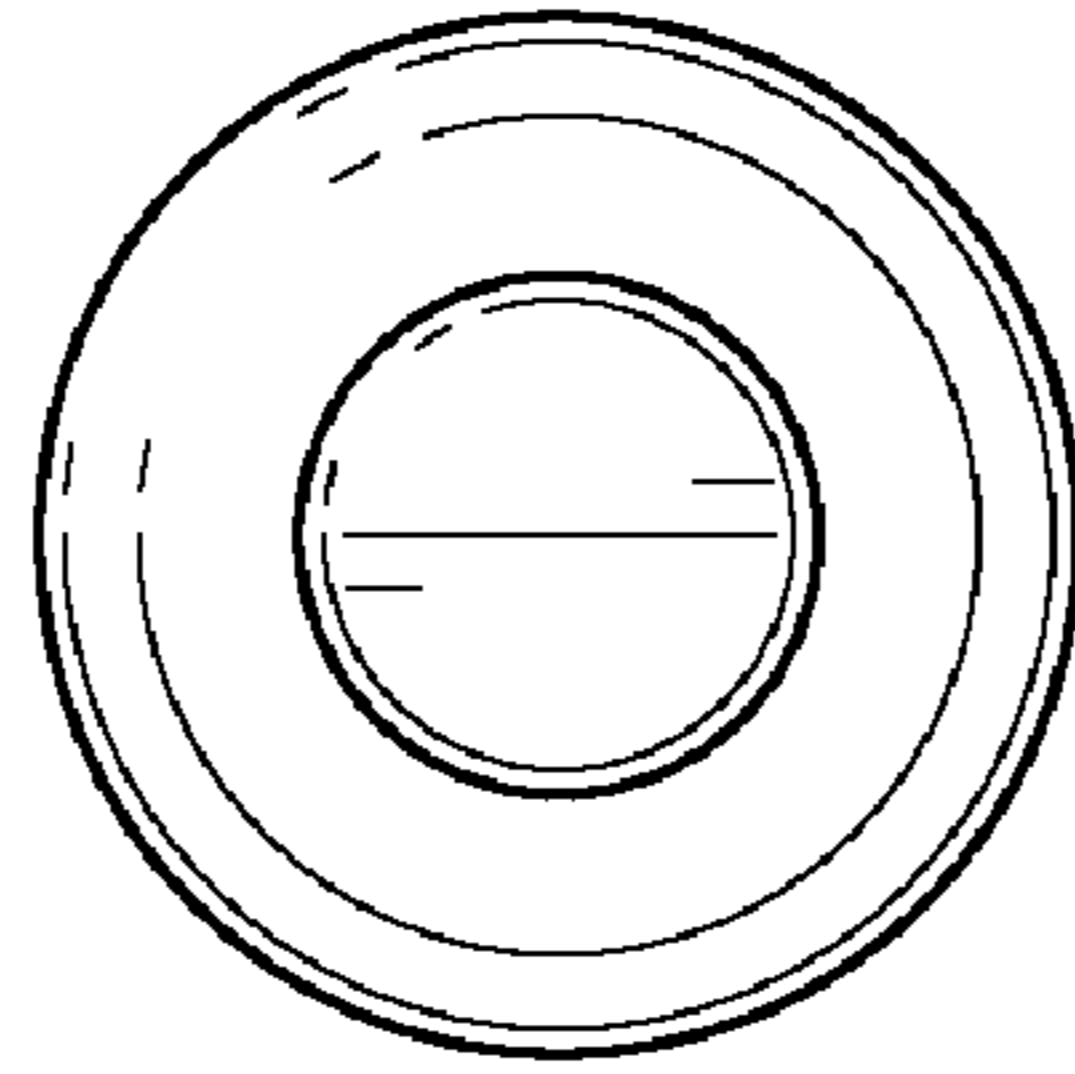


FIG. 2

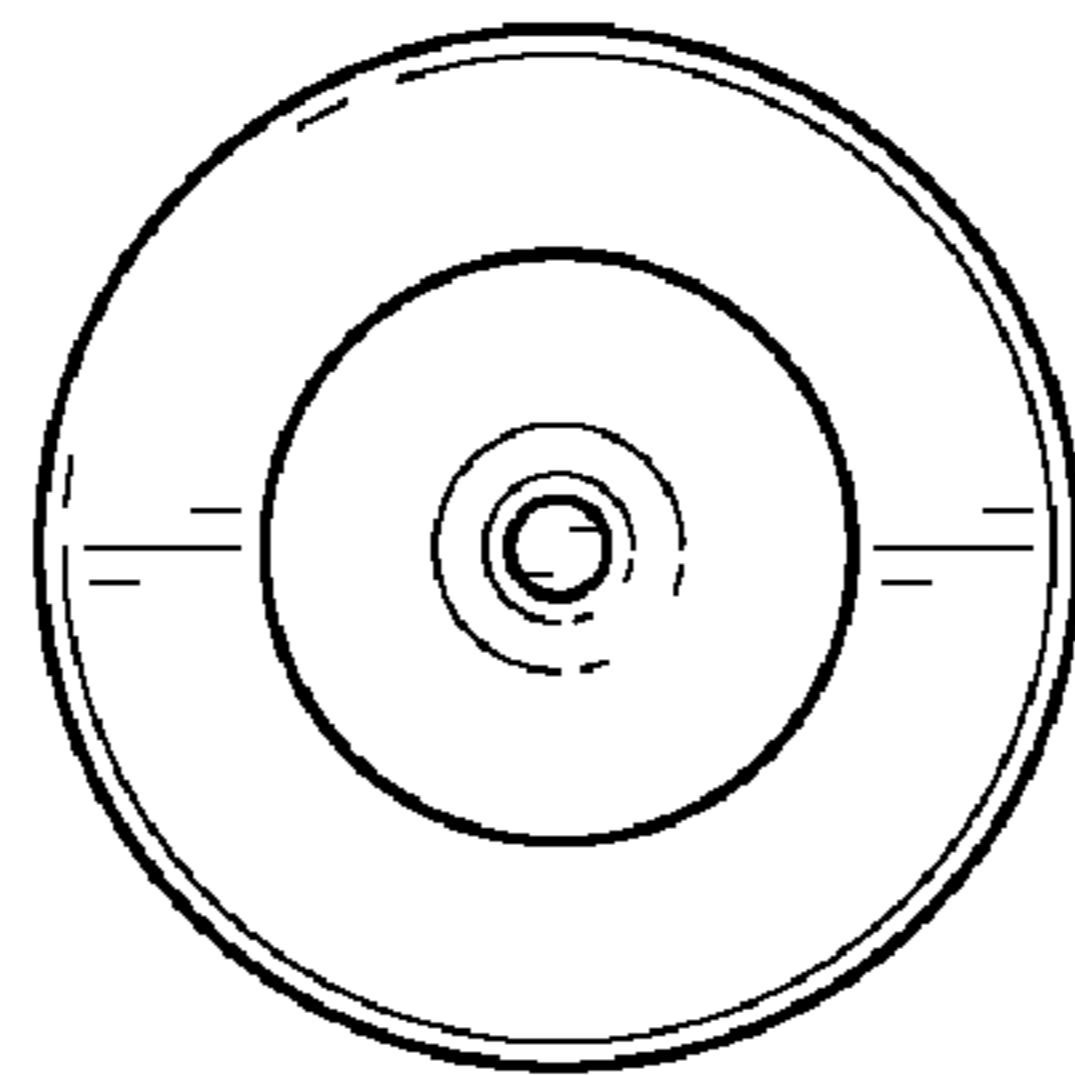


FIG. 3

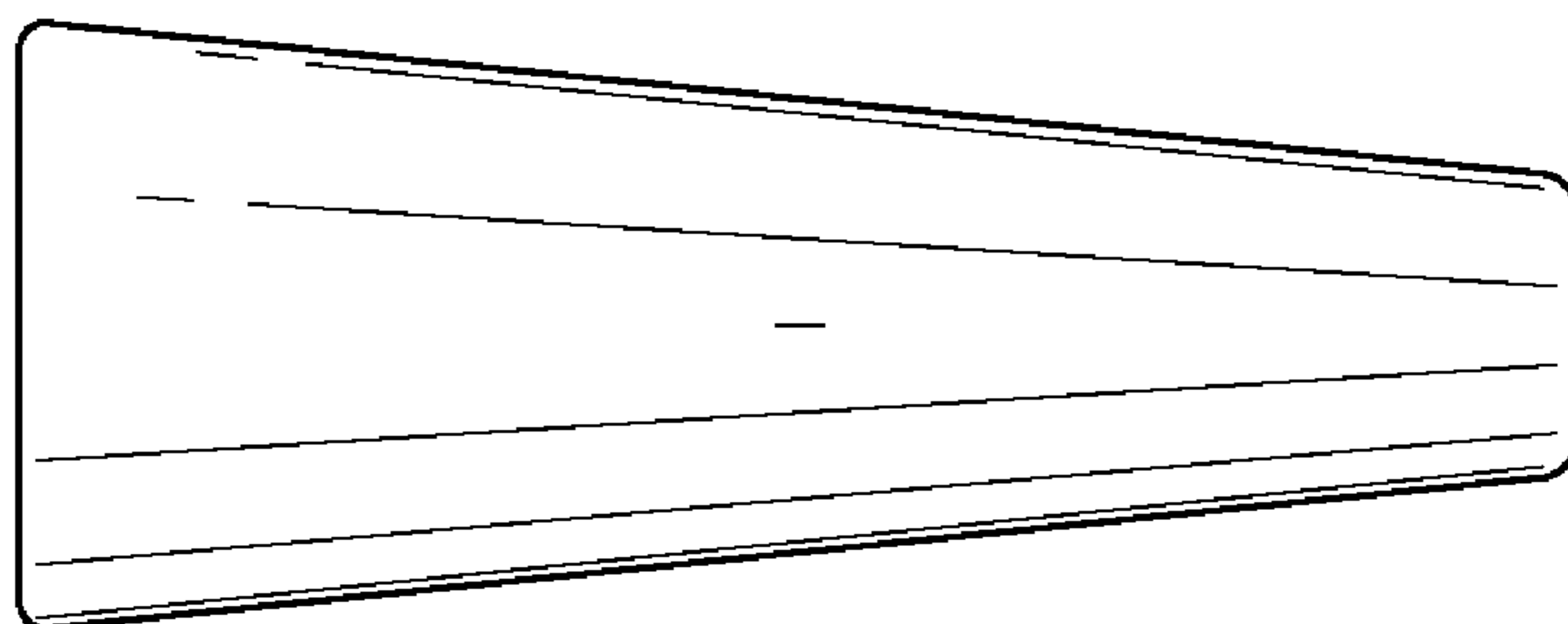


FIG. 4

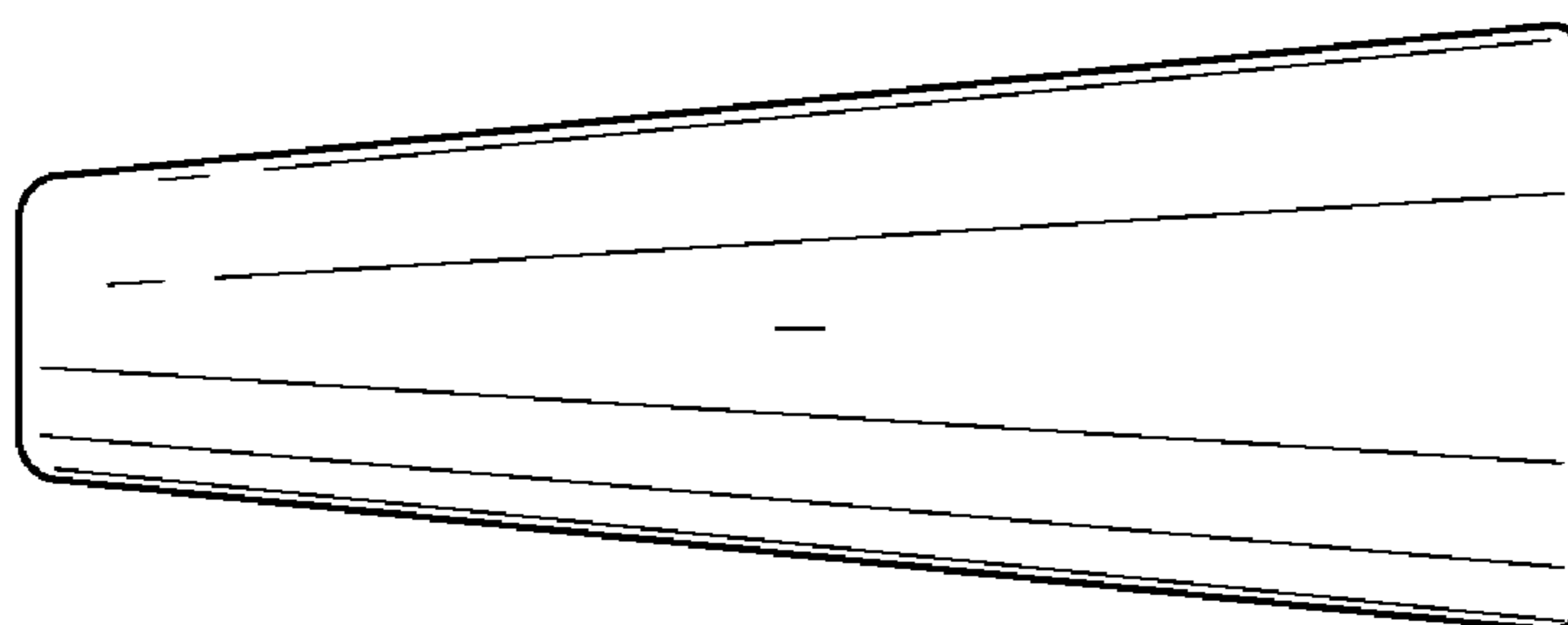


FIG. 5

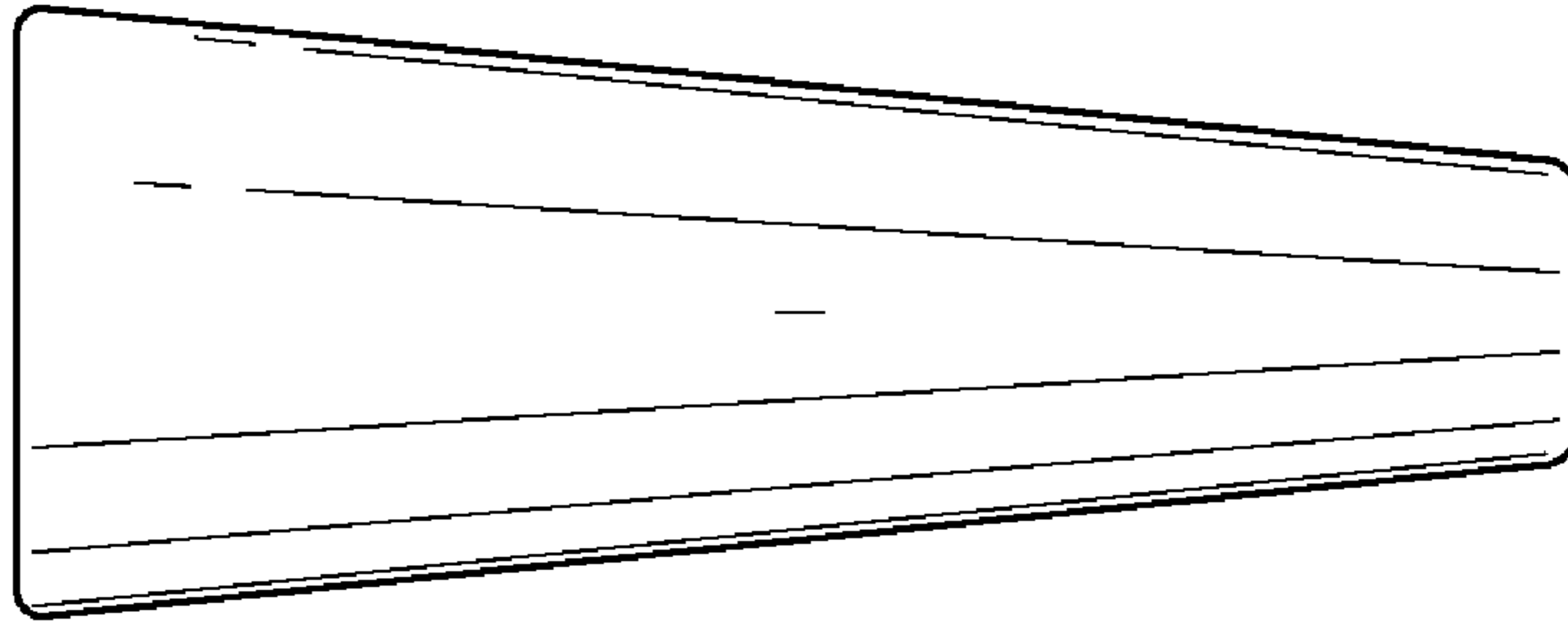


FIG. 6

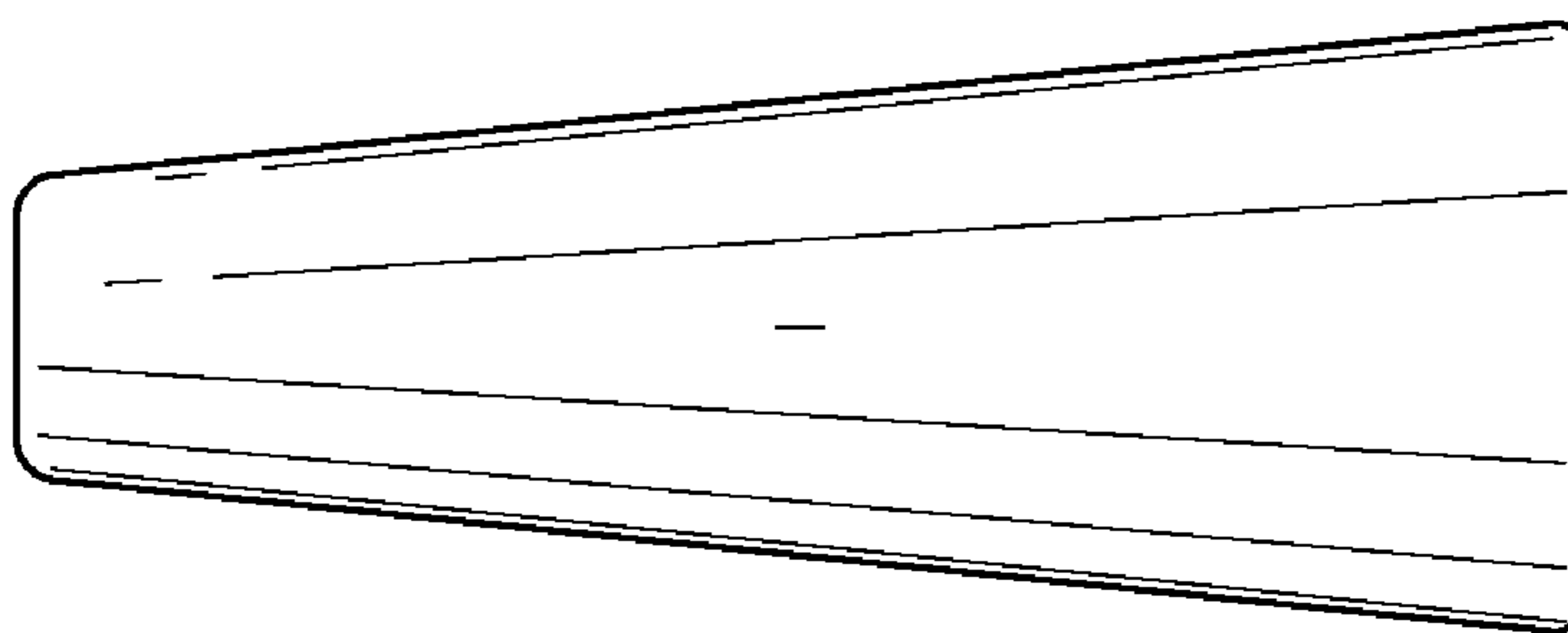


FIG. 7

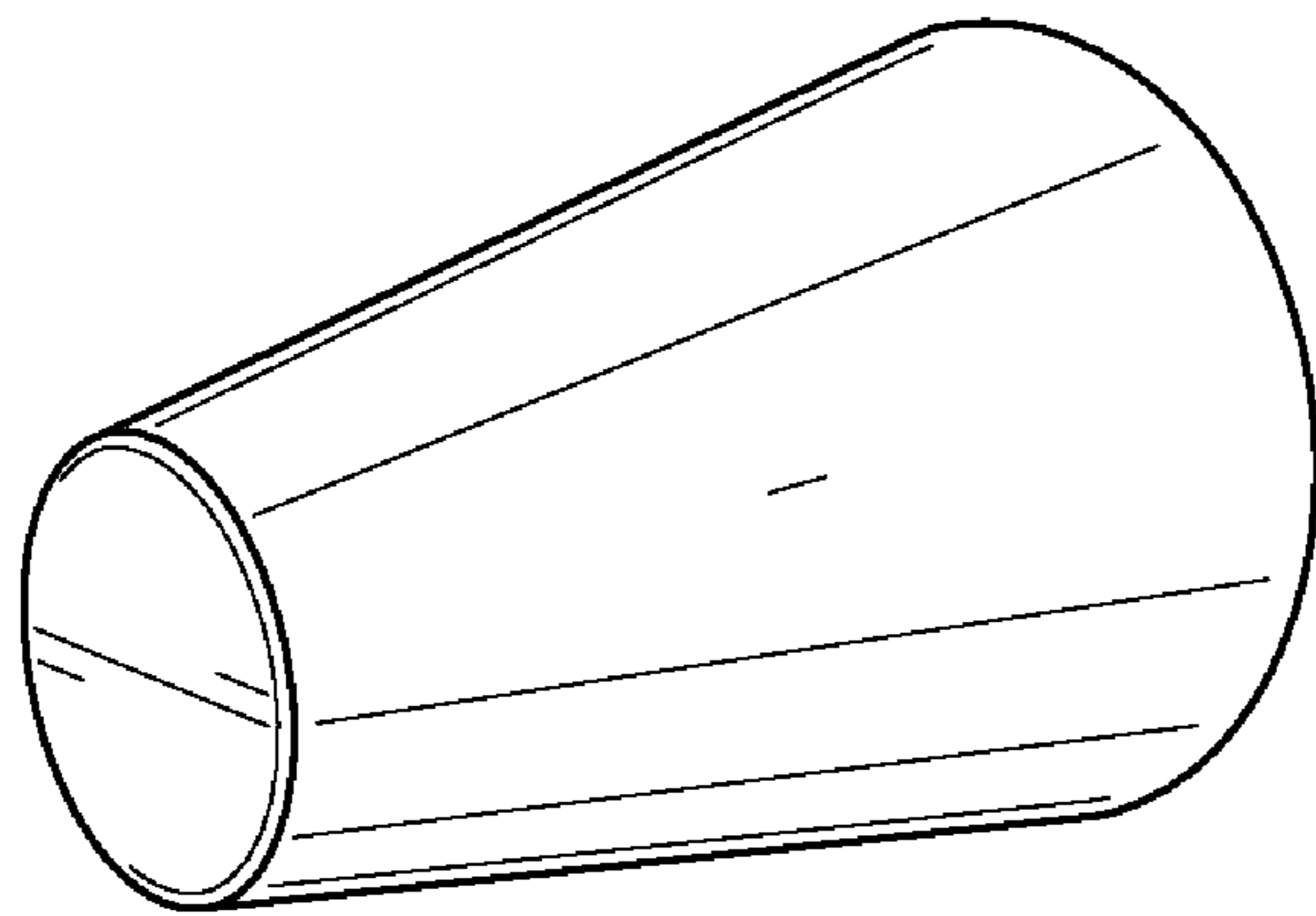


FIG. 8

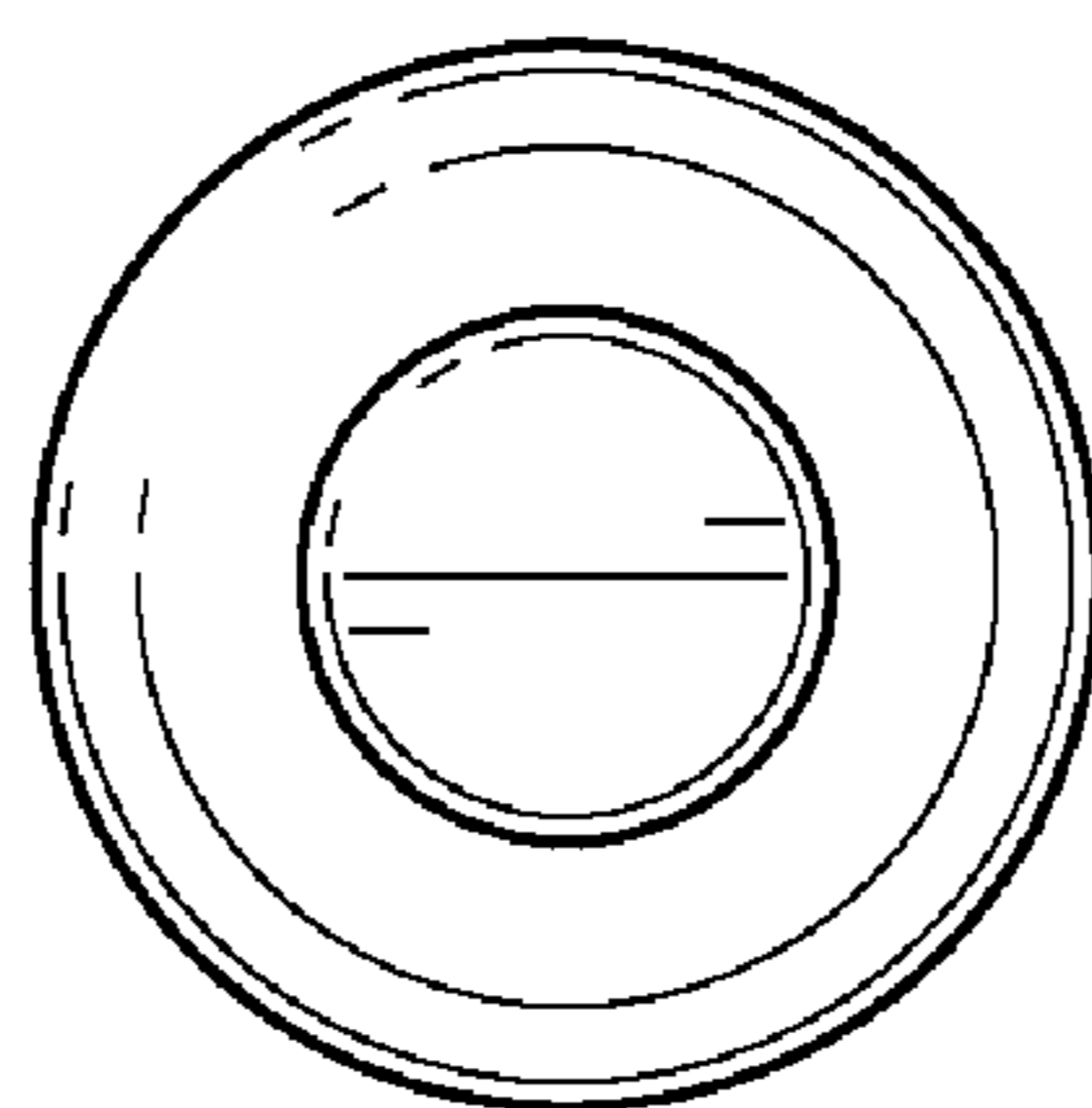


FIG. 9

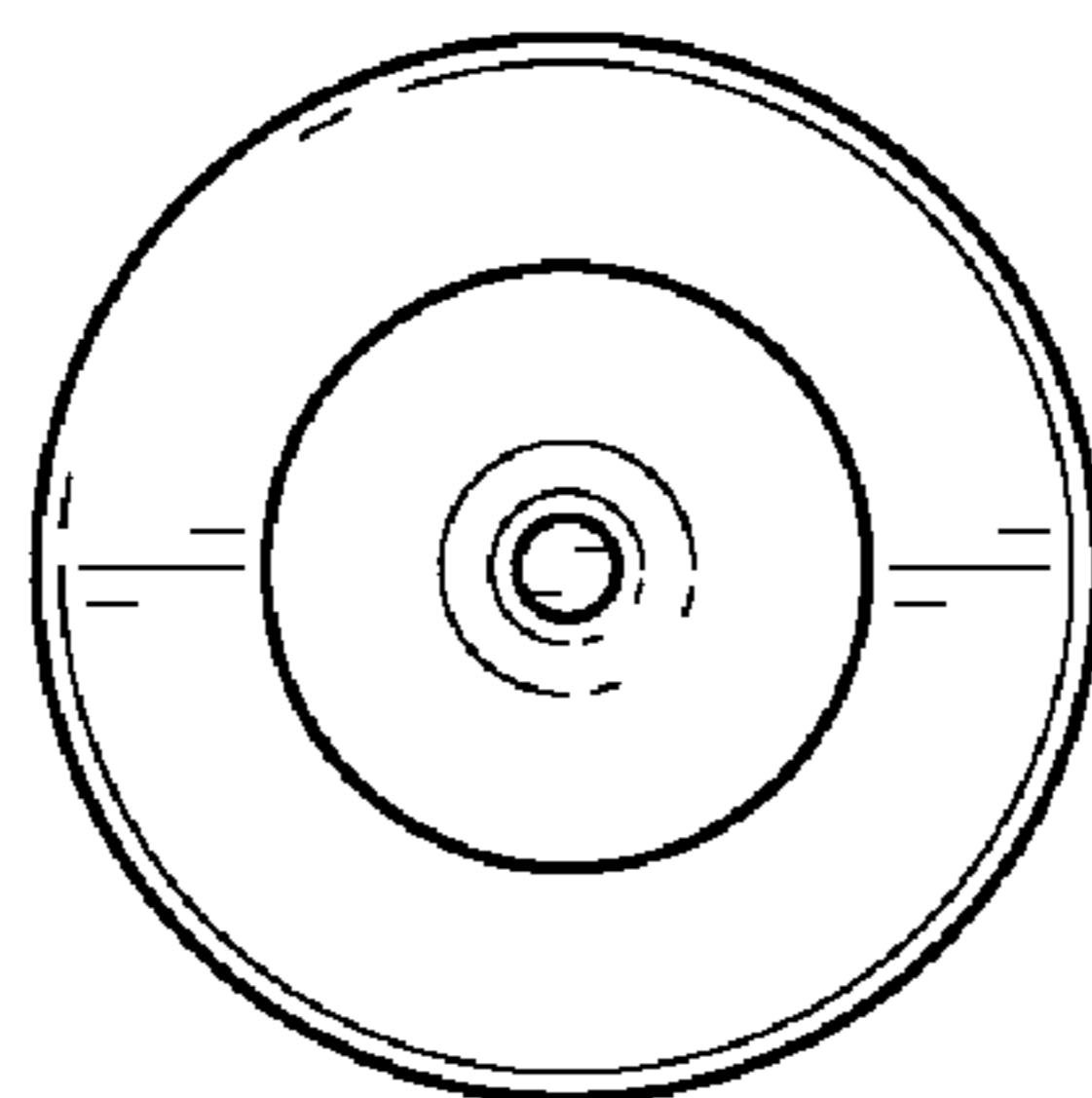


FIG. 10

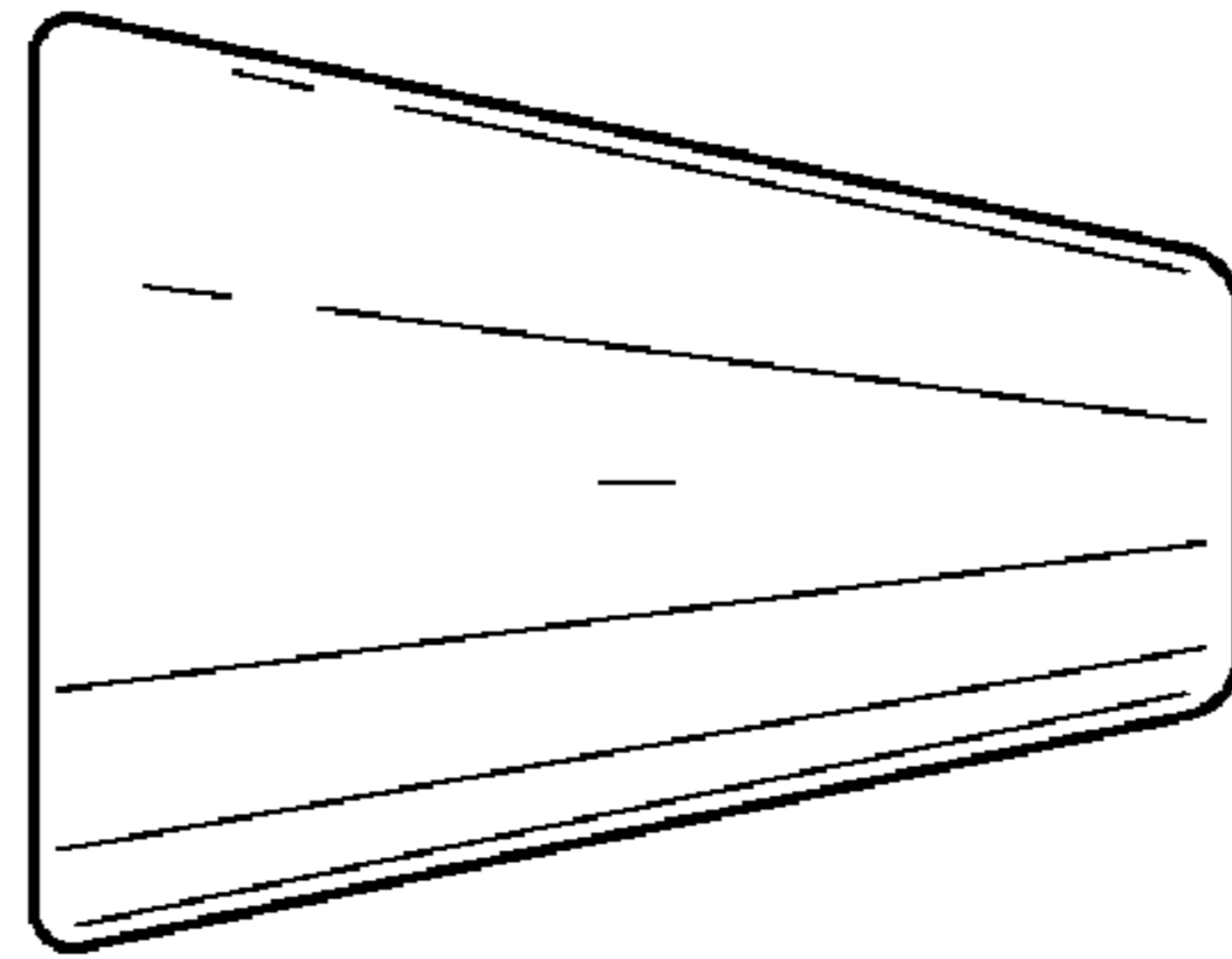


FIG. 11

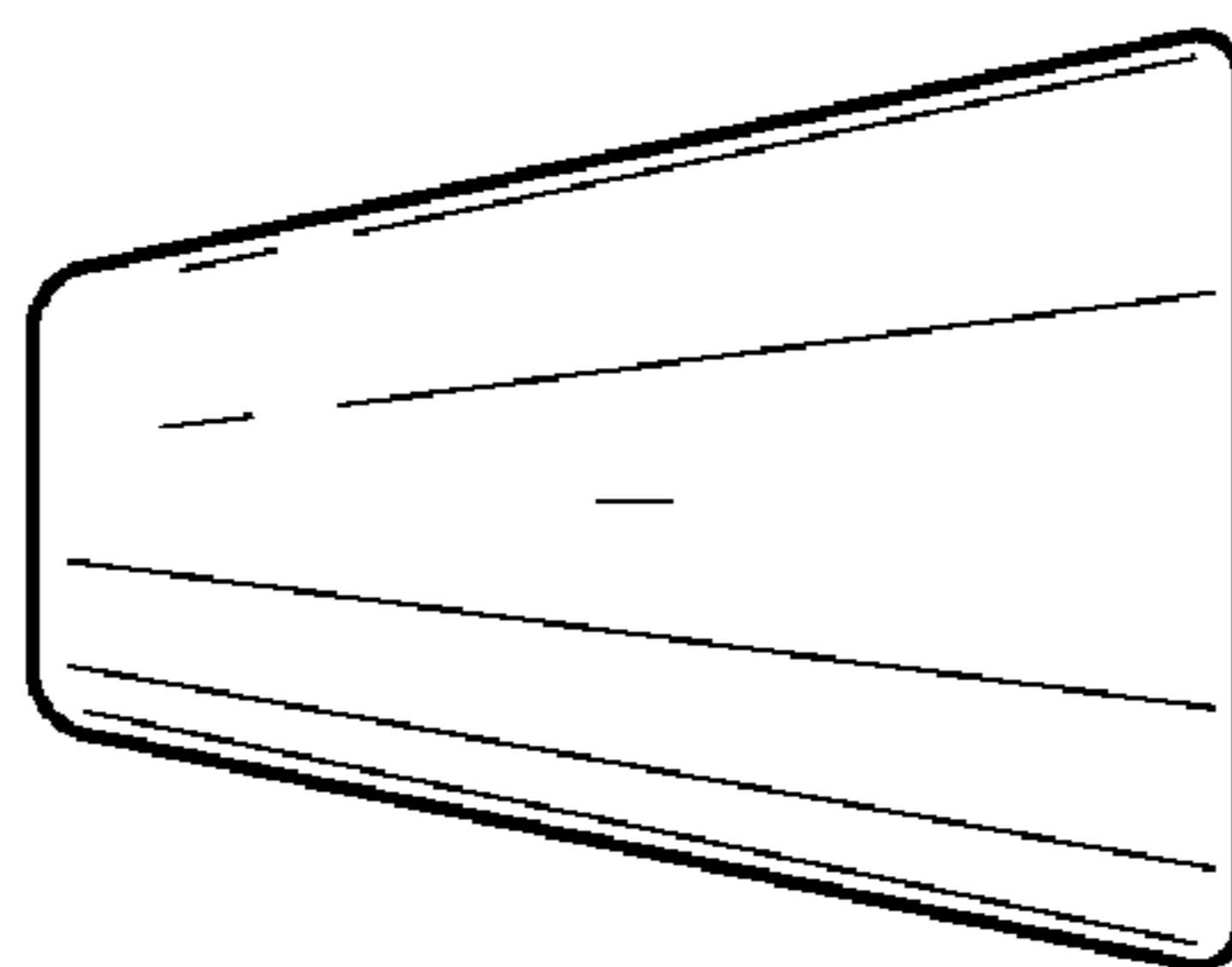


FIG. 12

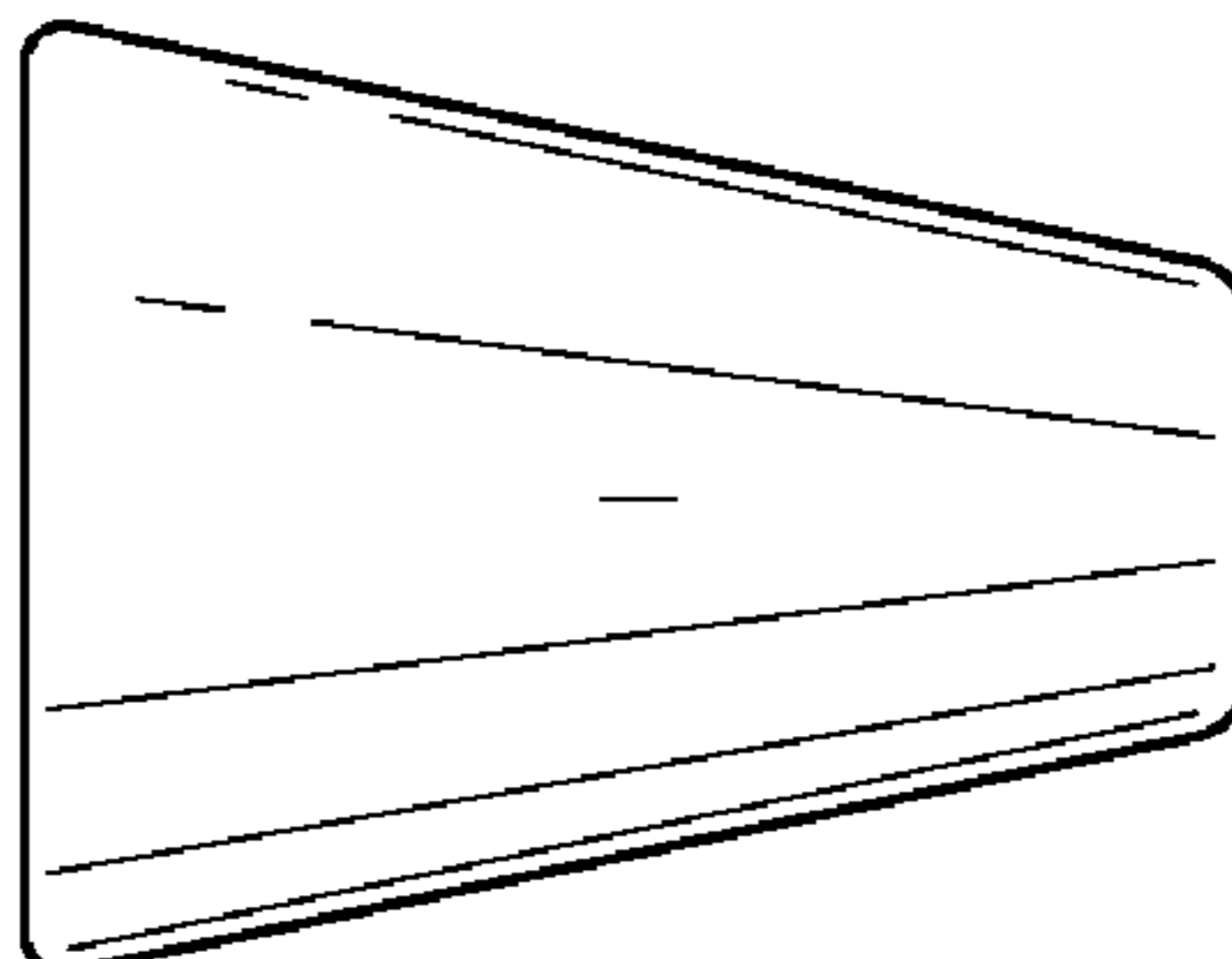


FIG. 13

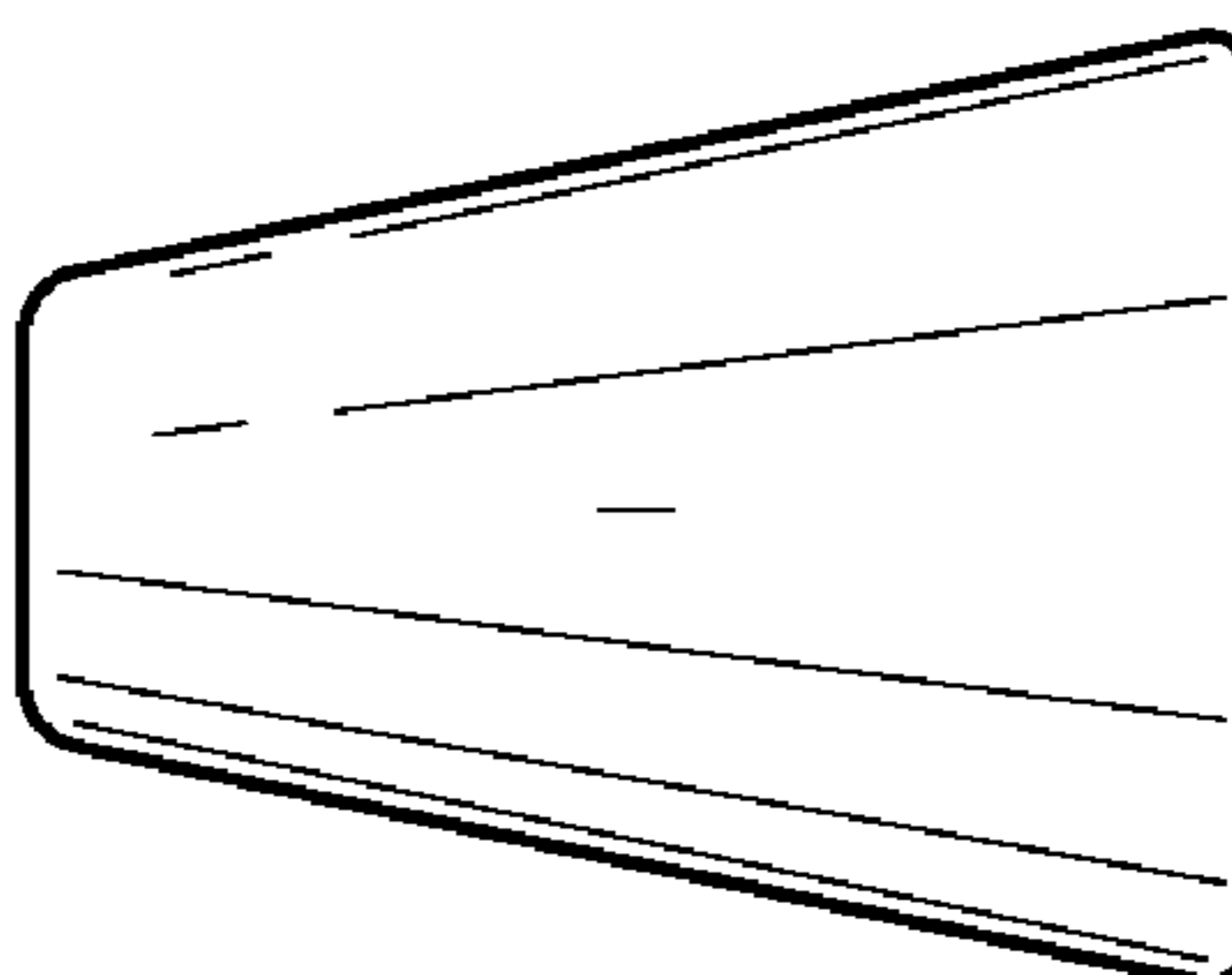


FIG. 14