

US00D627517S

(12) **United States Design Patent**
Ido

(10) **Patent No.:** **US D627,517 S**
(45) **Date of Patent:** **** Nov. 16, 2010**

(54) **RAZOR BLADE HOLDER**

(75) Inventor: **Kiyoshi Ido**, Gifu-ken (JP)

(73) Assignee: **Feather Safety Razor Co., Ltd.** (JP)

(**) Term: **14 Years**

(21) Appl. No.: **29/346,607**

(22) Filed: **Nov. 3, 2009**

(51) **LOC (9) Cl.** **28-03**

(52) **U.S. Cl.** **D28/45**

(58) **Field of Classification Search** D28/44-48;
30/32, 34.05, 34.1-34.2, 41, 44-46, 47-51,
30/53-55, 57-58, 77-84, 526-539

See application file for complete search history.

(56) **References Cited**

U.S. PATENT DOCUMENTS

3,728,788	A *	4/1973	Pearson	30/53
4,920,644	A *	5/1990	LaGattuta	30/53
D408,584	S *	4/1999	Ido et al.	D28/45
6,438,847	B1 *	8/2002	Alsaifi	30/53
D525,390	S *	7/2006	Barbieri	D28/45

FOREIGN PATENT DOCUMENTS

JP	47-13189	10/1972
JP	48-90886	11/1973
JP	48-97659	12/1973
JP	49-106590	9/1974
JP	54-13783	1/1979
JP	522478	1/1980
JP	522478-1	11/1982
JP	58-136081	9/1983
JP	59-70647	5/1984
JP	61-18774	2/1986
JP	4-122283 A	4/1992
JP	861697	2/1993
JP	6-292771 A	10/1994
JP	9-285661 A	11/1997
JP	999927	1/1998
JP	1026211	11/1998
JP	2001-232080 A	8/2001

JP	2001-1232080 A	8/2001
JP	1189697	11/2003
JP	2005-304965 A	11/2005
JP	2006-212249 A	8/2006
JP	1361354	6/2009

OTHER PUBLICATIONS

“Brochure of Schick® Proline Razor”, Kabushiki Kaisha Hattori Seiko, (before Nov. 1984), 3 pgs.

(Continued)

Primary Examiner—Jennifer Rivard

(74) *Attorney, Agent, or Firm*—Schwegman, Lundberg & Woessner, P.A.

(57) **CLAIM**

The ornamental design for a razor blade holder, as shown and described.

DESCRIPTION

FIG. 1 is a front perspective view of a razor blade holder showing my new design;

FIG. 2 is a rear perspective view thereof;

FIG. 3 is a front view thereof;

FIG. 4 is a rear view thereof;

FIG. 5 is a top plan view thereof;

FIG. 6 is a bottom plan view thereof;

FIG. 7 is an enlarged right side view thereof;

FIG. 8 is an enlarged left side view thereof;

FIG. 9 is a front perspective view of a razor blade holder according to a second embodiment of the present design;

FIG. 10 is a rear perspective view thereof;

FIG. 11 is a front view thereof;

FIG. 12 is a rear view thereof;

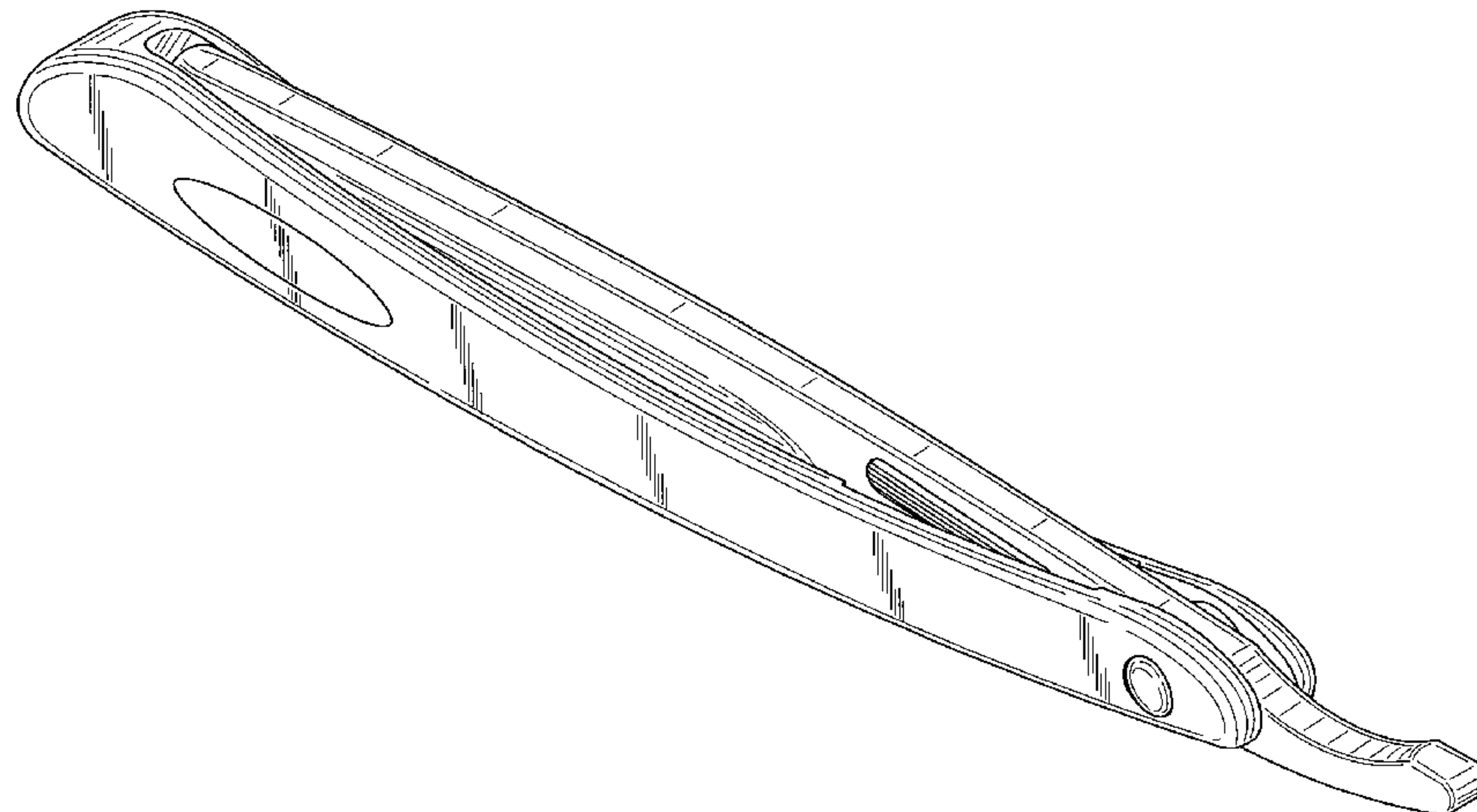
FIG. 13 is a top plan view thereof;

FIG. 14 is a bottom plan view thereof;

FIG. 15 is an enlarged right side view thereof; and,

FIG. 16 is an enlarged left side view thereof.

1 Claim, 10 Drawing Sheets



OTHER PUBLICATIONS

“Brochure of Schick® Proline Razor BBR-1”, (before Aug. 1993), 3 pgs.

“Professional Use”, Feather Safety Razor Co., Ltd., (before Oct. 2008), 8 pgs.

Barlow, R. S., *The Vanishing American Barber Shop—An Illustrated History of Tonsorial Art, 1860-1960*, (Windmill Publishing Company, El Cajon, CA), (1993), pp. 89, 90 and 93-99.

* cited by examiner

FIG. 1

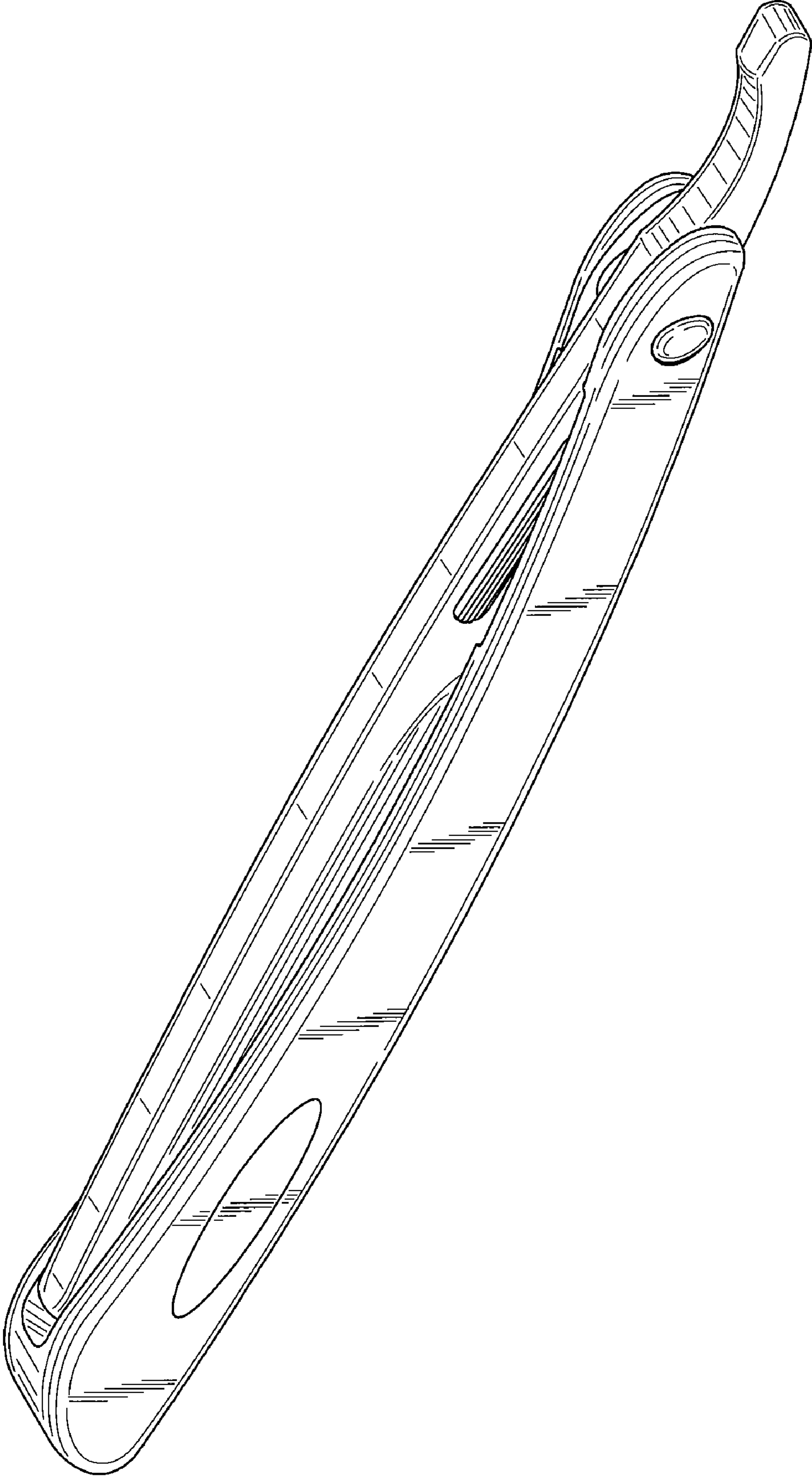


FIG. 2

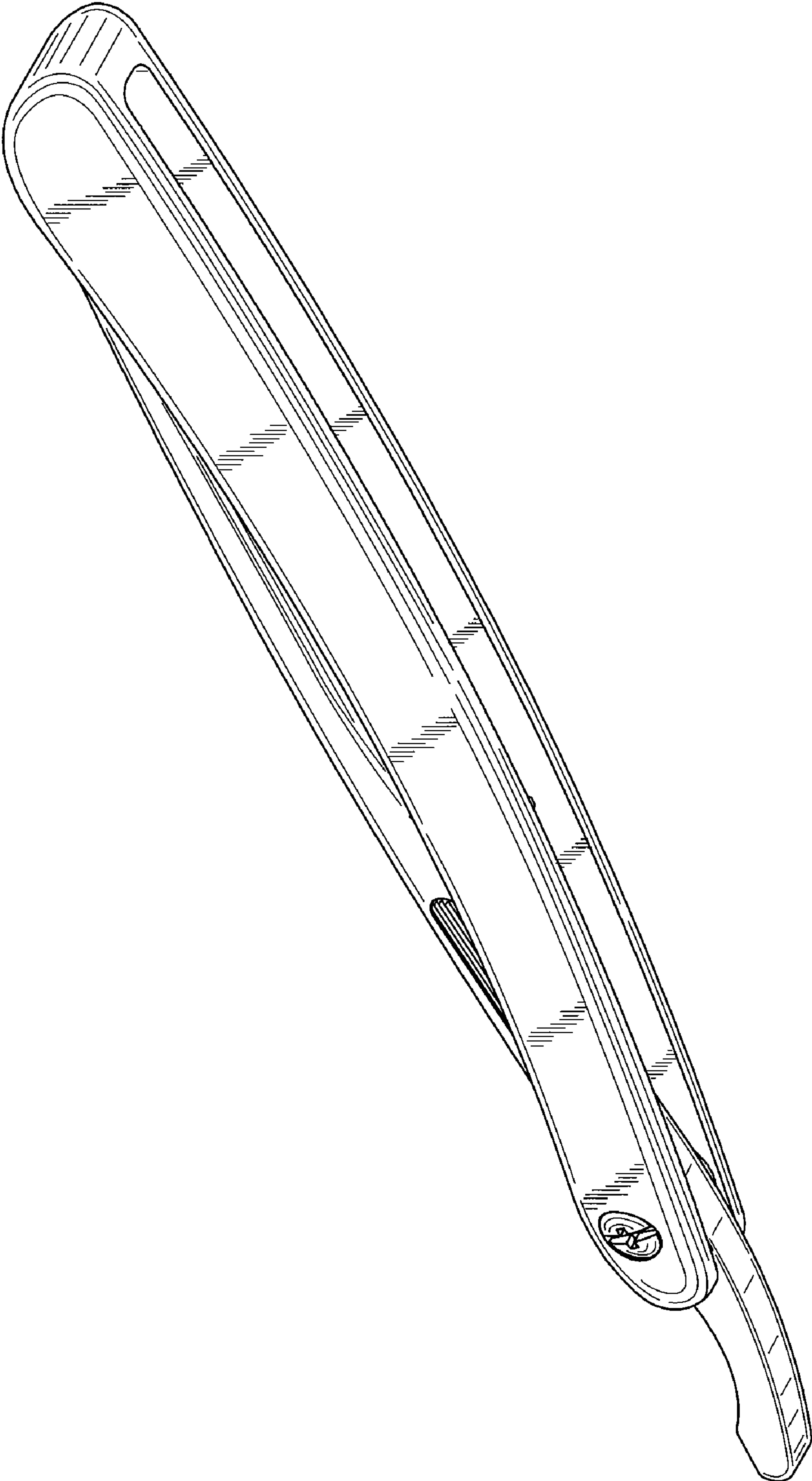


FIG. 3

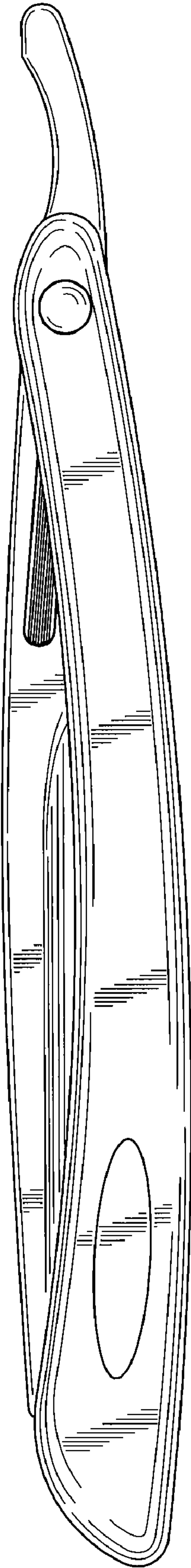


FIG. 4

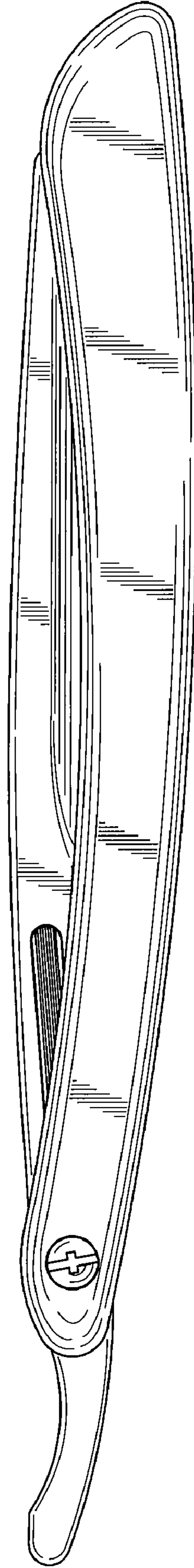


FIG. 5

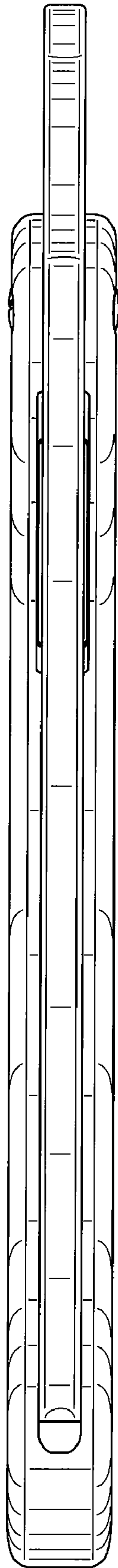


FIG. 6

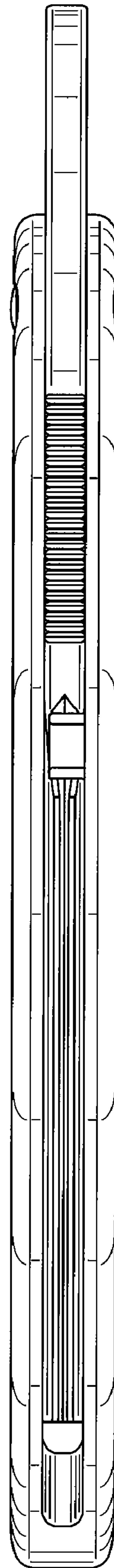


FIG. 7

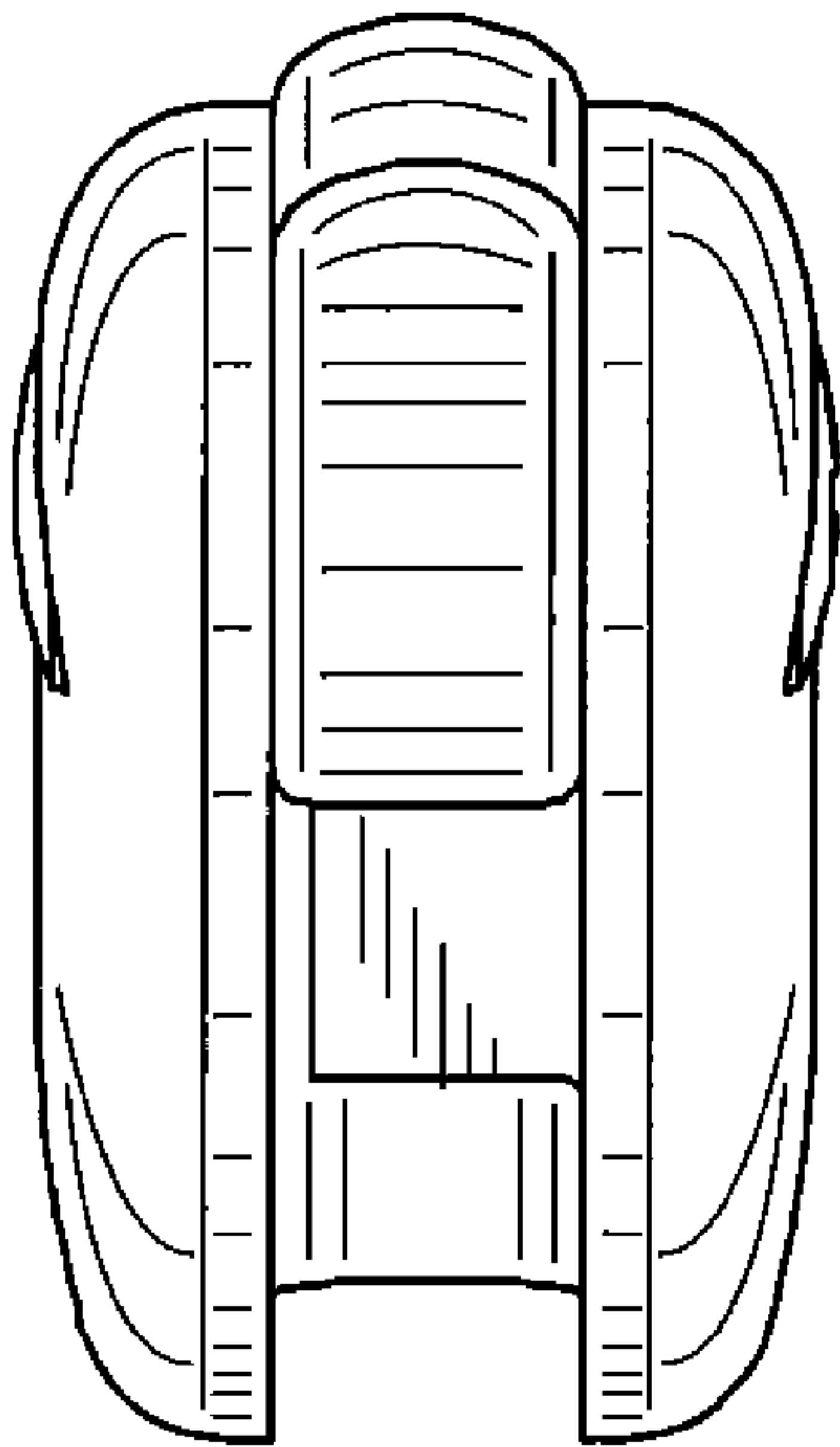


FIG. 8

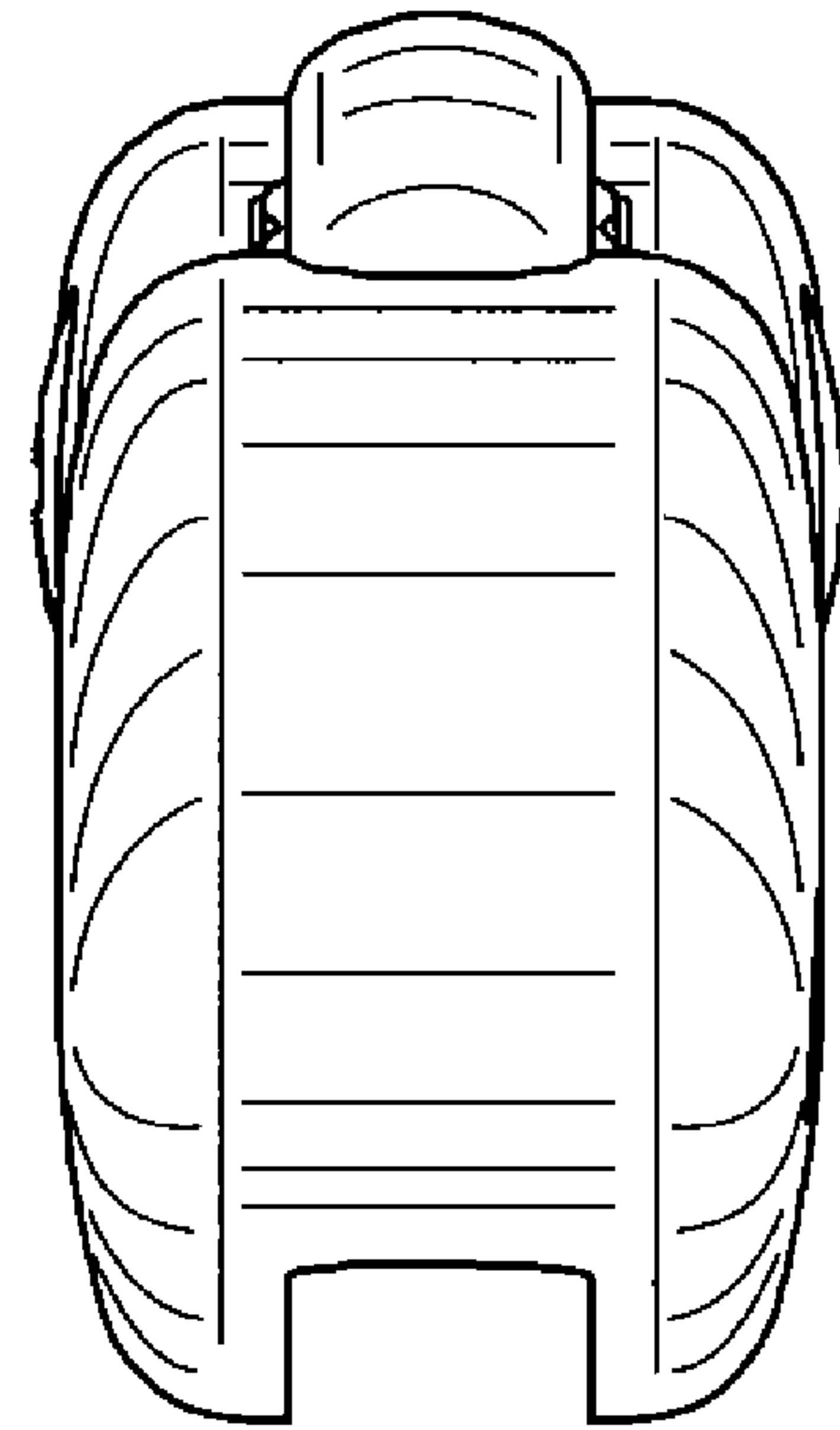


FIG. 9

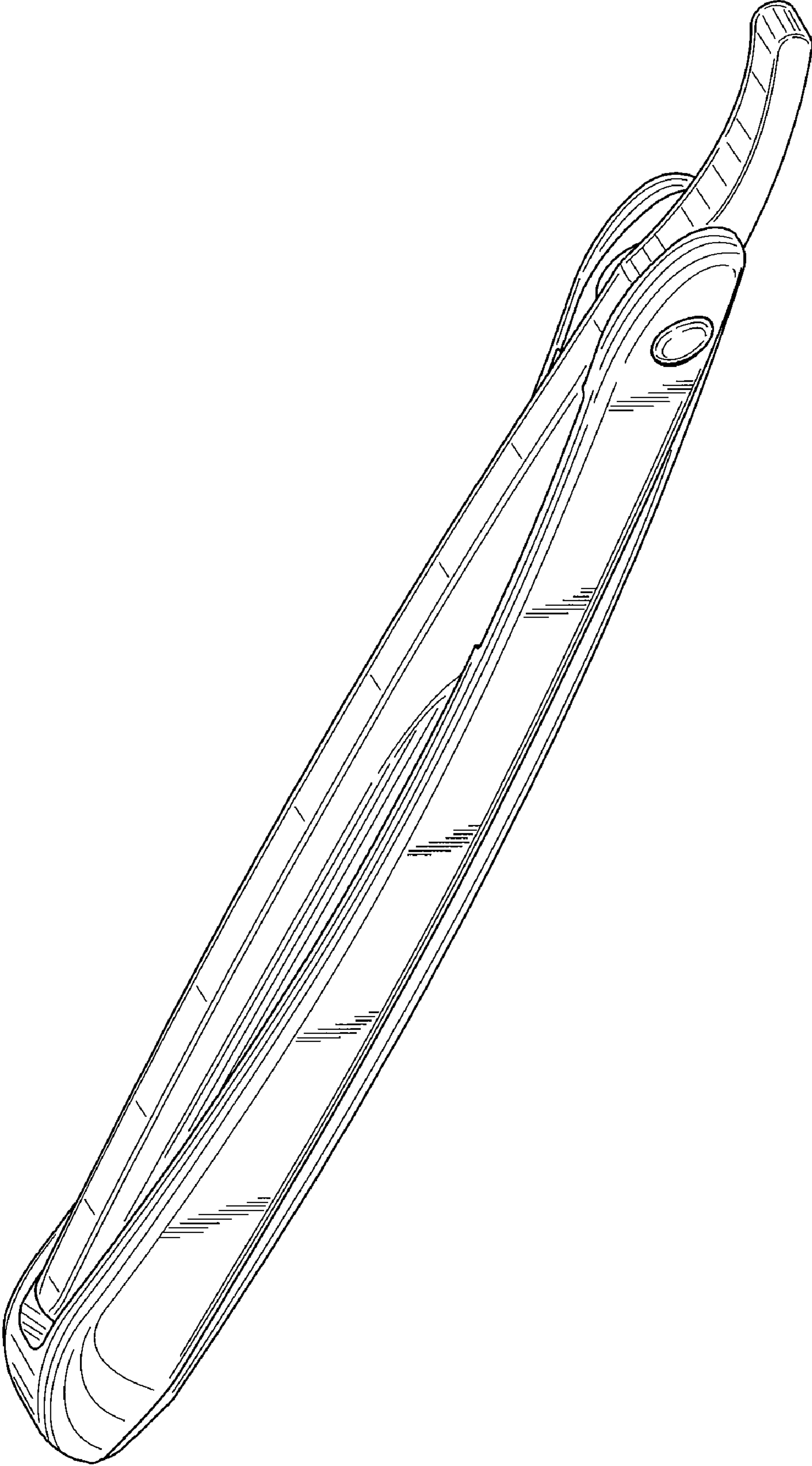


FIG. 10

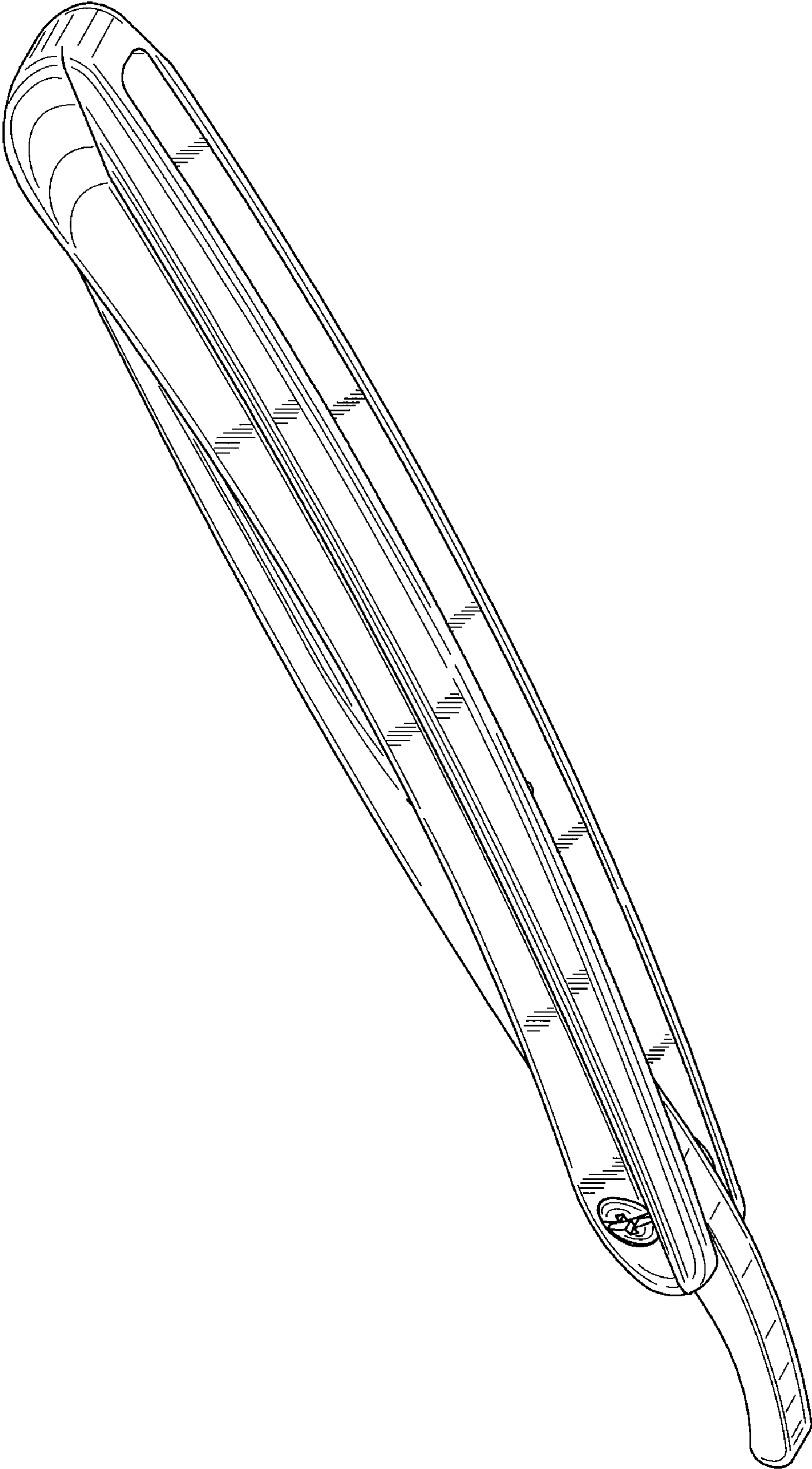


FIG. 11

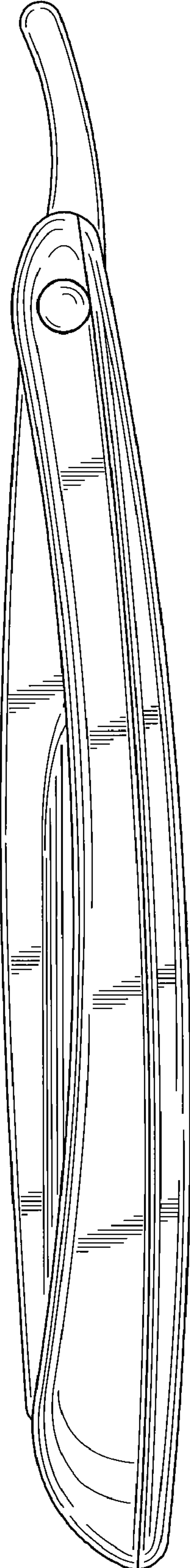


FIG. 12

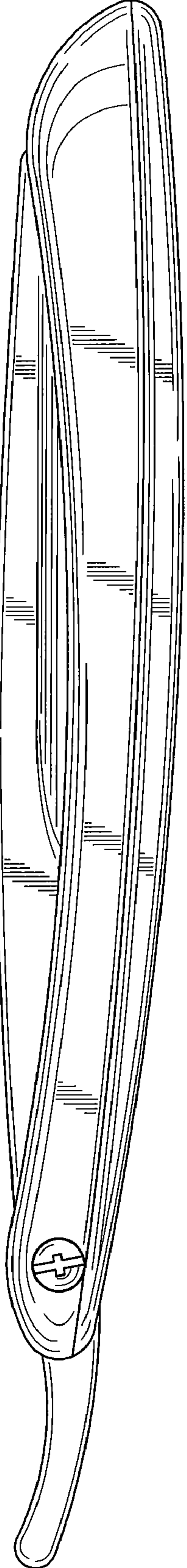


FIG. 13

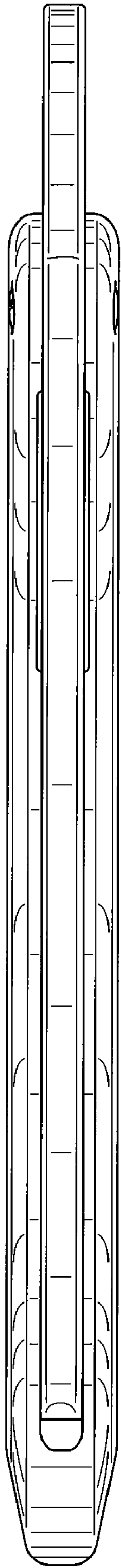


FIG. 14

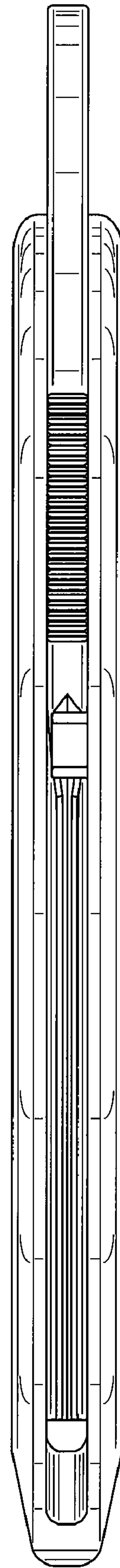


FIG. 15

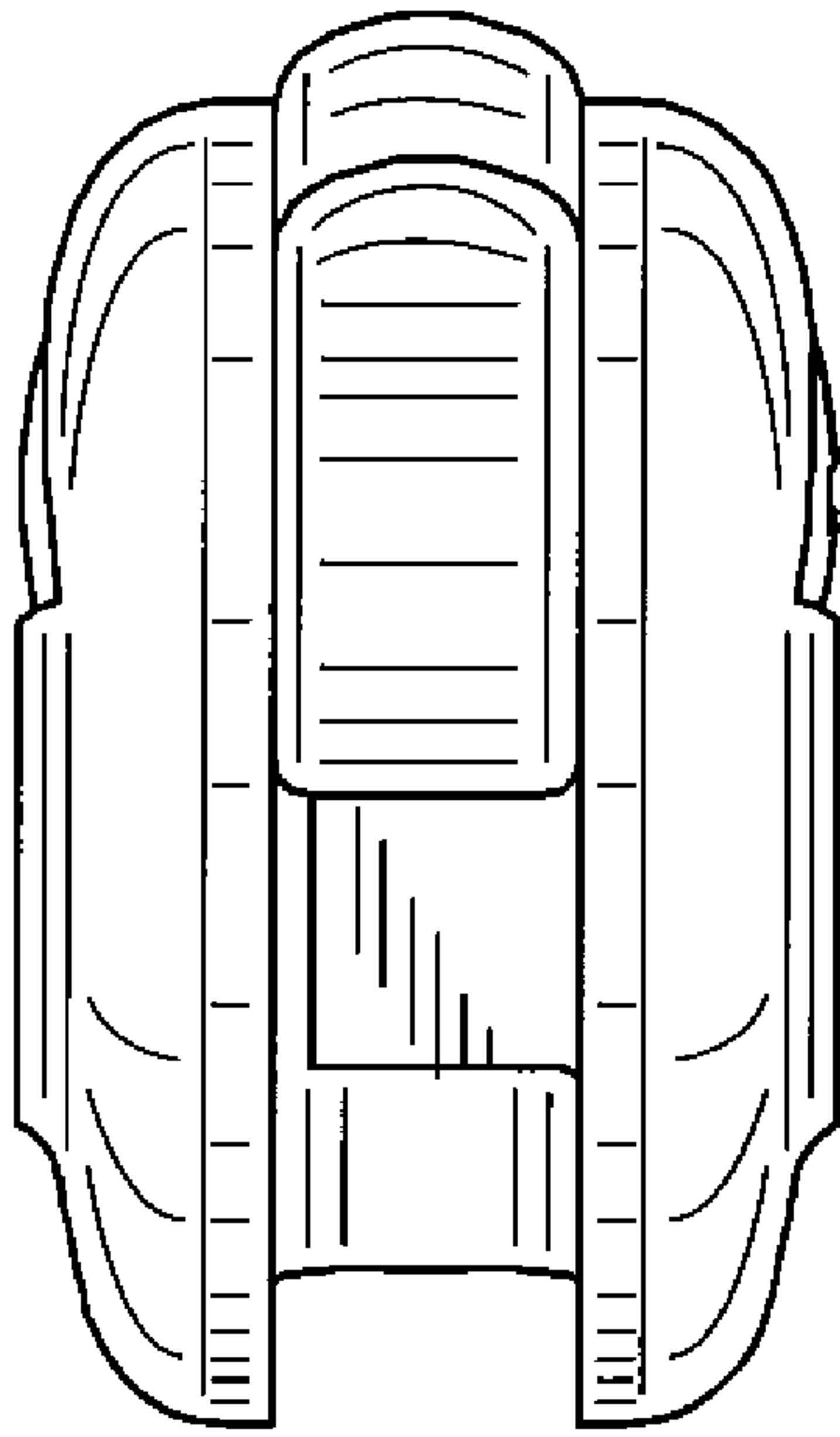


FIG. 16

