



US00D627515S

(12) **United States Design Patent**
Kim

(10) **Patent No.:** **US D627,515 S**

(45) **Date of Patent:** **** Nov. 16, 2010**

(54) **HAIR IRON**

(75) Inventor: **Hae Jin Kim**, Seoul (KR)

(73) Assignee: **GHD Korea, Inc.** (KR)

(**) Term: **14 Years**

(21) Appl. No.: **29/350,917**

(22) Filed: **Nov. 25, 2009**

(51) **LOC (9) Cl.** **28-03**

(52) **U.S. Cl.** **D28/35**

(58) **Field of Classification Search** D28/35,
D28/38; 132/223–236; 219/222, 225–227,
219/242

See application file for complete search history.

(56) **References Cited**

U.S. PATENT DOCUMENTS

D581,592 S * 11/2008 Hein D28/35

D605,360 S * 12/2009 Kwok D28/35

D606,253 S * 12/2009 Leung D28/35

2003/0056803 A1* 3/2003 Lin 132/232

2008/0196739 A1* 8/2008 Henninger et al. 132/224

* cited by examiner

Primary Examiner—Jennifer Rivard

(74) *Attorney, Agent, or Firm*—Park & Associates IP Law
LLC

(57) **CLAIM**

The ornamental design for a hair iron, as shown and described.

DESCRIPTION

FIG. 1 is a perspective view of a hair iron in accordance with the new design;

FIG. 2 is a front elevational view thereof;

FIG. 3 is a rear elevational view thereof;

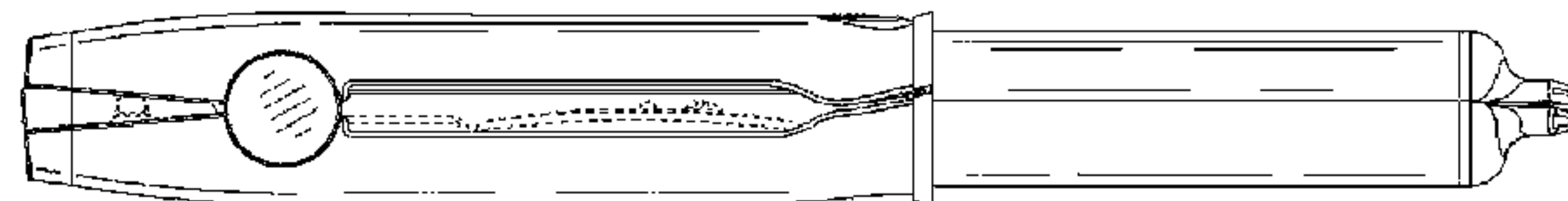
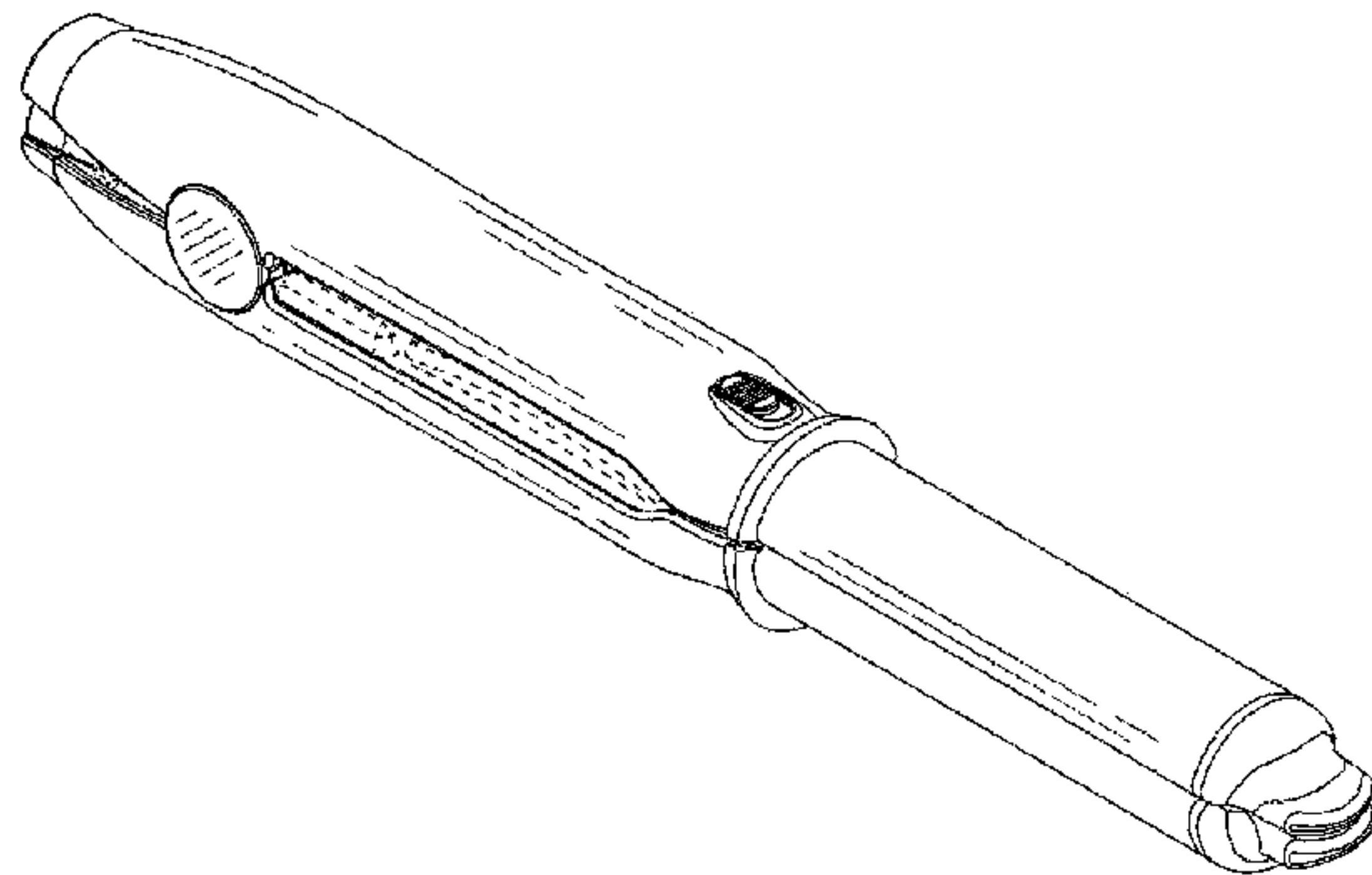
FIG. 4 is a left side elevational view thereof;

FIG. 5 is a right side elevational view thereof;

FIG. 6 is a top plan view thereof; and,

FIG. 7 is a bottom plan view thereof. The broken lines shown in FIGS. 1-4 of the drawings illustrate portions of the article and form no part of the claimed design.

1 Claim, 3 Drawing Sheets



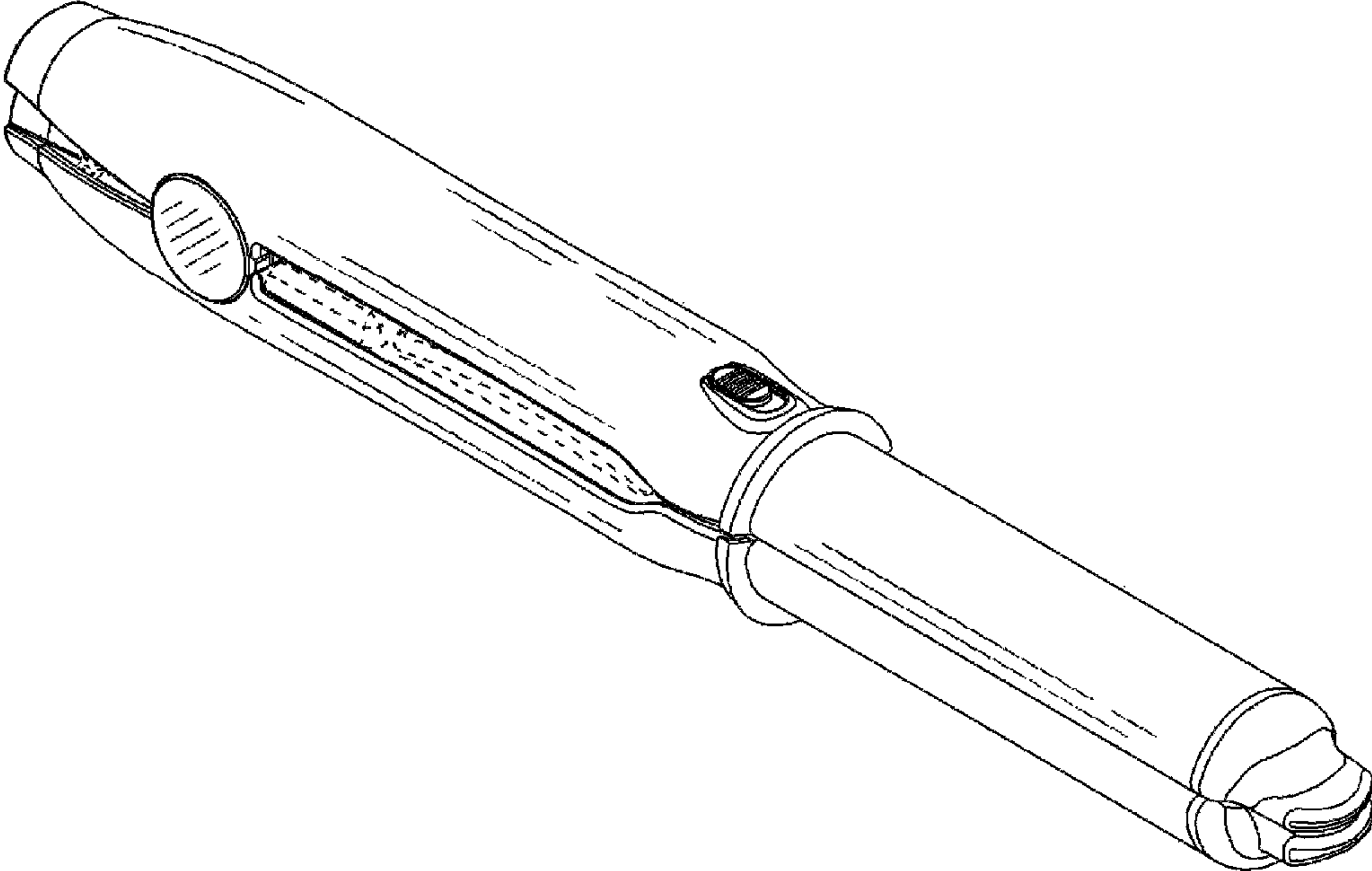


FIG. 1

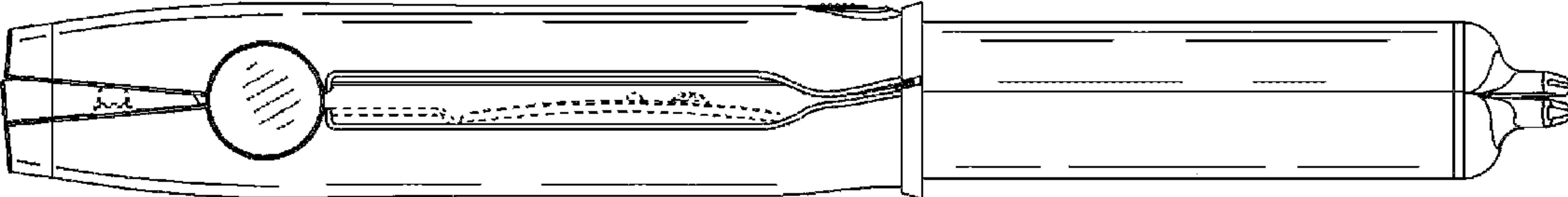


FIG. 2

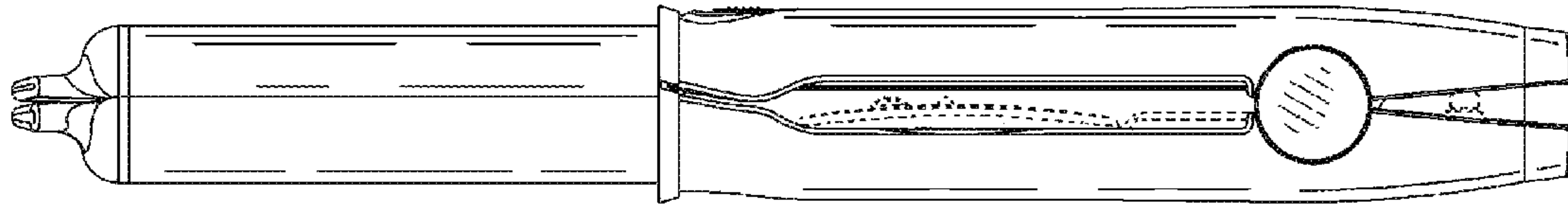


FIG. 3

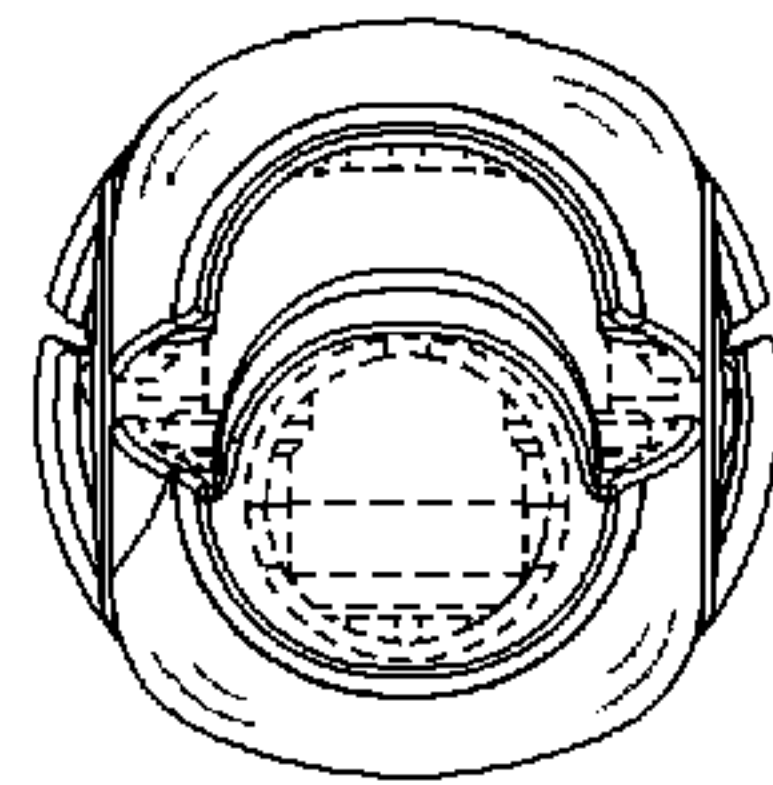


FIG. 4

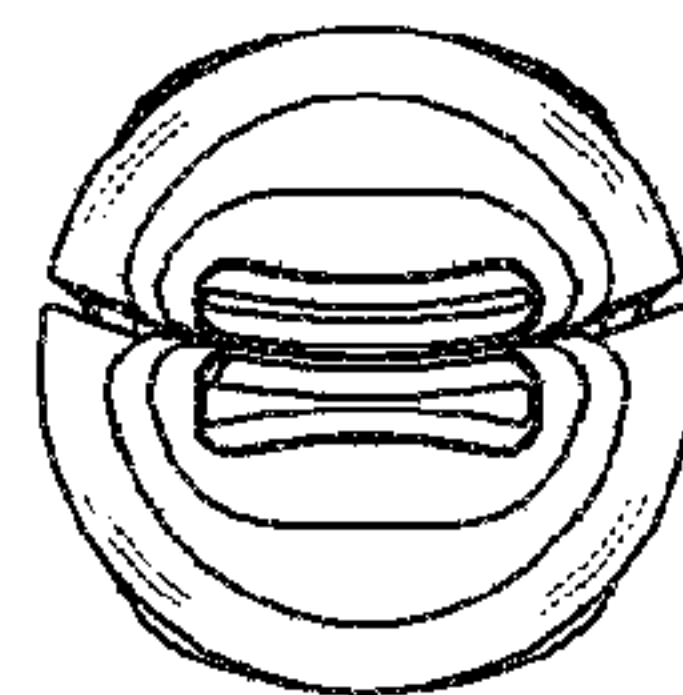


FIG. 5

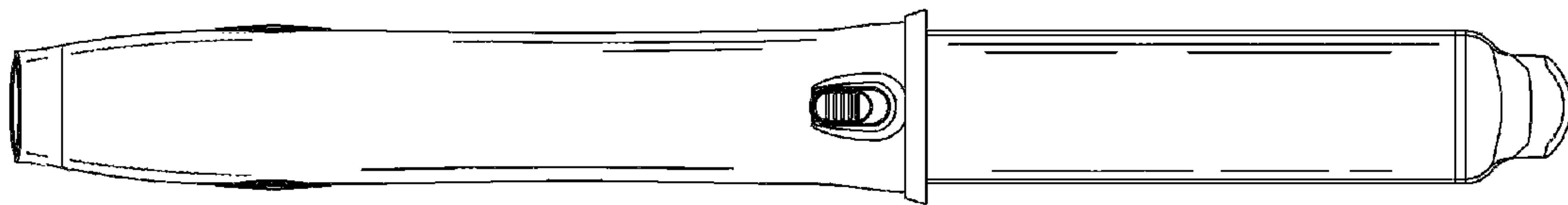


FIG. 6

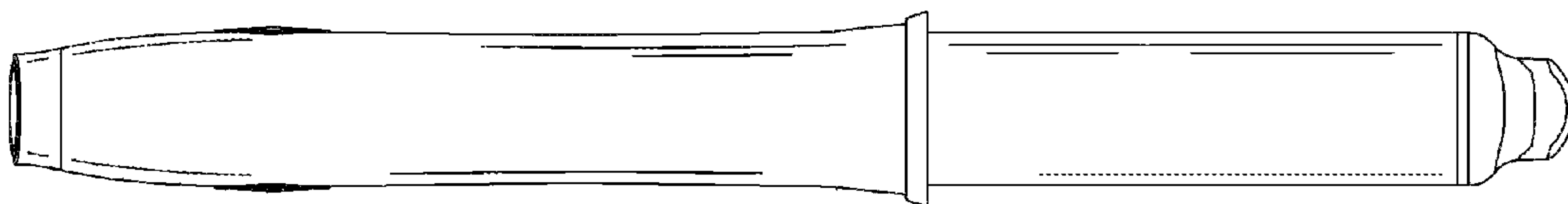


FIG. 7