



US00D627513S

(12) **United States Design Patent**  
**Kim**

(10) **Patent No.:** **US D627,513 S**

(45) **Date of Patent:** **\*\* Nov. 16, 2010**

(54) **HAIR IRON**

(75) Inventor: **Hae Jin Kim**, Seoul (KR)

(73) Assignee: **GHD Korea, Inc.** (KR)

(\*\*) Term: **14 Years**

(21) Appl. No.: **29/342,994**

(22) Filed: **Sep. 3, 2009**

(30) **Foreign Application Priority Data**

Mar. 5, 2009 (KR) ..... 30-2009-0009498

(51) **LOC (9) Cl.** ..... **28-03**

(52) **U.S. Cl.** ..... **D28/35**

(58) **Field of Classification Search** ..... D28/35,  
D28/38; 132/223-236; 219/222, 225-227,  
219/242

See application file for complete search history.

(56) **References Cited**

**U.S. PATENT DOCUMENTS**

D511,023 S \* 10/2005 Cho ..... D28/35  
D534,684 S \* 1/2007 Ceva ..... D28/35  
D535,437 S \* 1/2007 Ceva ..... D28/35  
D586,039 S \* 2/2009 Kim ..... D28/35

D599,058 S \* 8/2009 Kim ..... D28/35  
2007/0209673 A1 \* 9/2007 Choi ..... 132/224  
2009/0084396 A1 \* 4/2009 Jerome et al. .... 132/224

\* cited by examiner

*Primary Examiner*—Jennifer Rivard

(74) *Attorney, Agent, or Firm*—Park & Associates IP Law  
LLC

(57) **CLAIM**

The ornamental design for a hair iron, as shown and described.

**DESCRIPTION**

FIG. 1 is a perspective view of a hair iron in accordance with the new design;

FIG. 2 is a front elevational view thereof, the rear elevational view being a mirror image thereof;

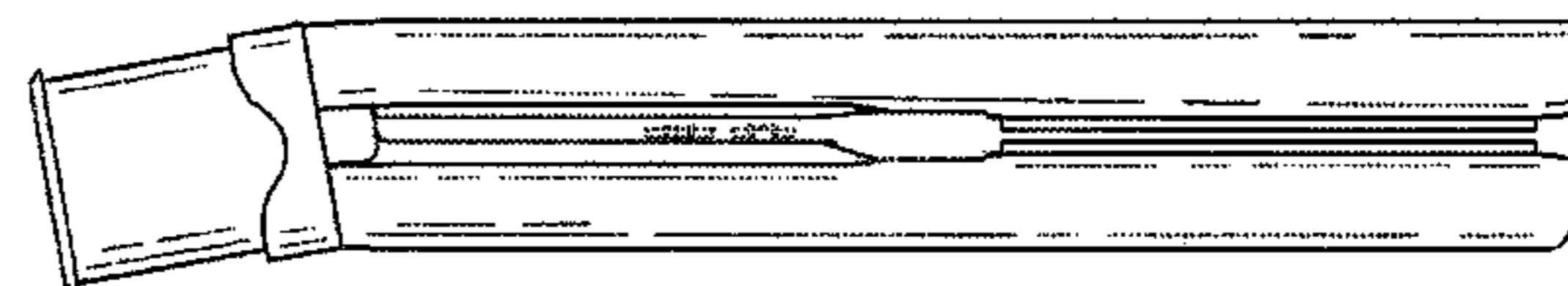
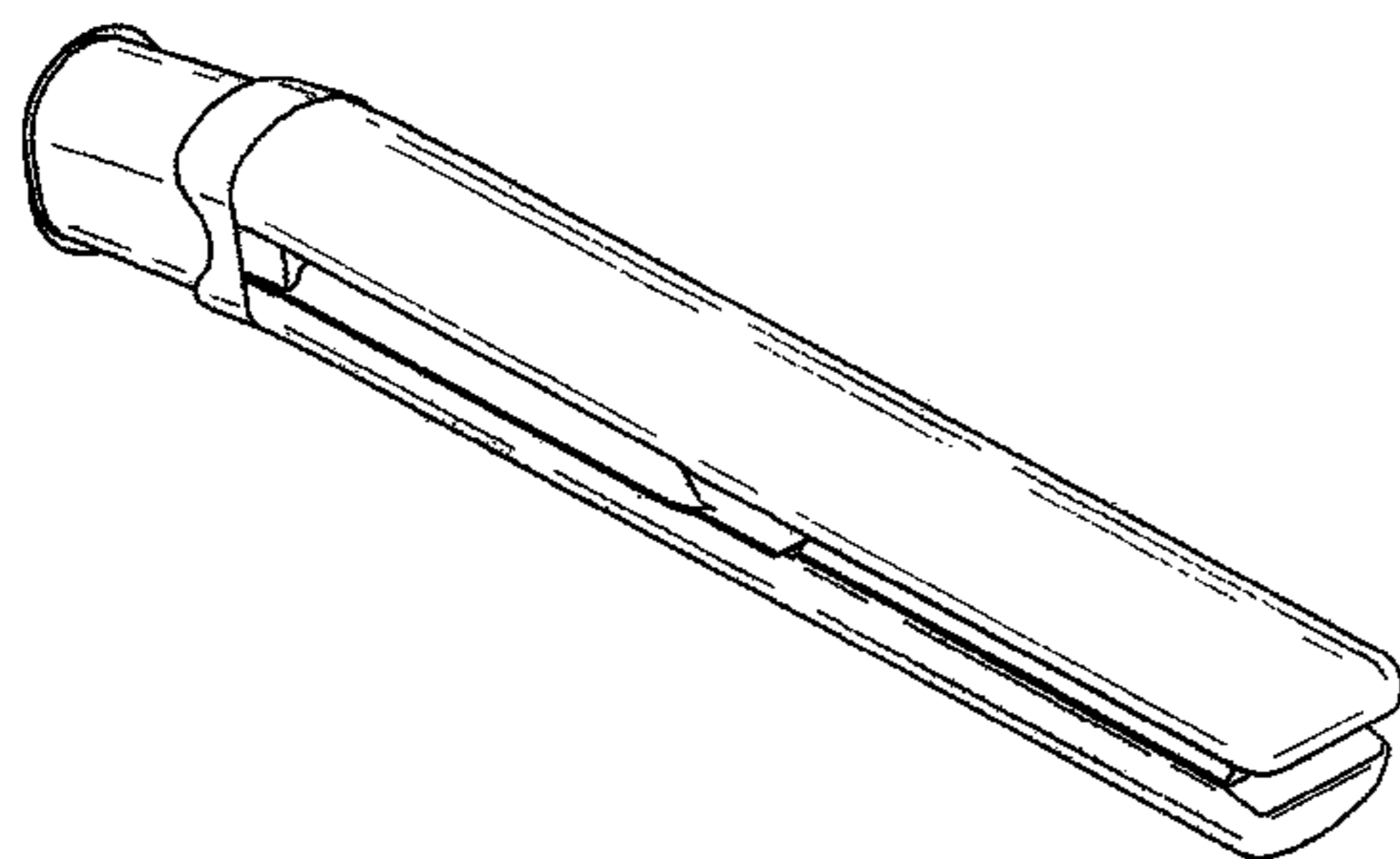
FIG. 3 is a left side elevational view thereof;

FIG. 4 is a right side elevational view thereof;

FIG. 5 is a top plan view thereof; and,

FIG. 6 is a bottom plan view thereof. The broken lines shown in FIGS. 2-4 of the drawings illustrate portions of the article and form no part of the claimed design.

**1 Claim, 3 Drawing Sheets**



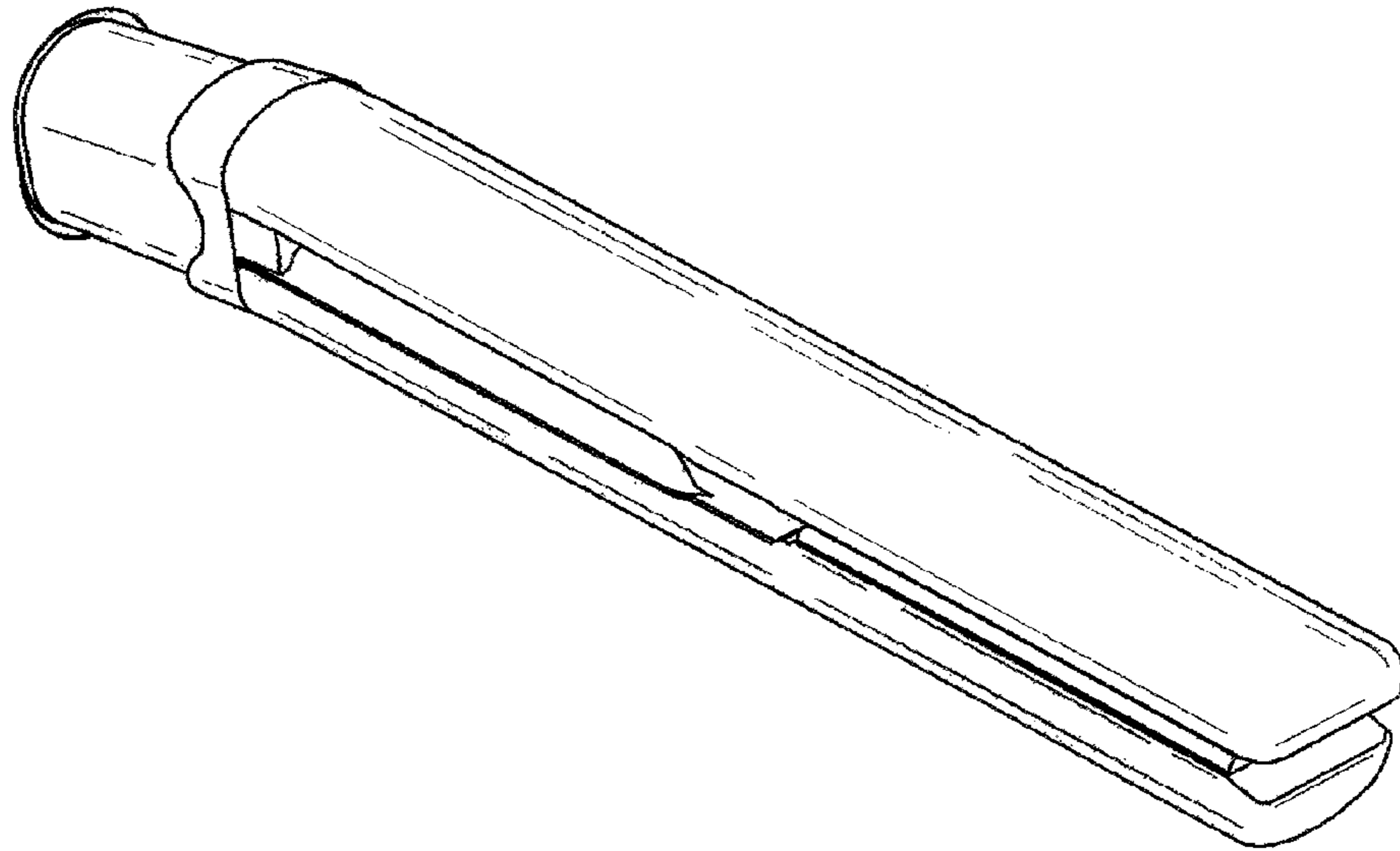


FIG. 1

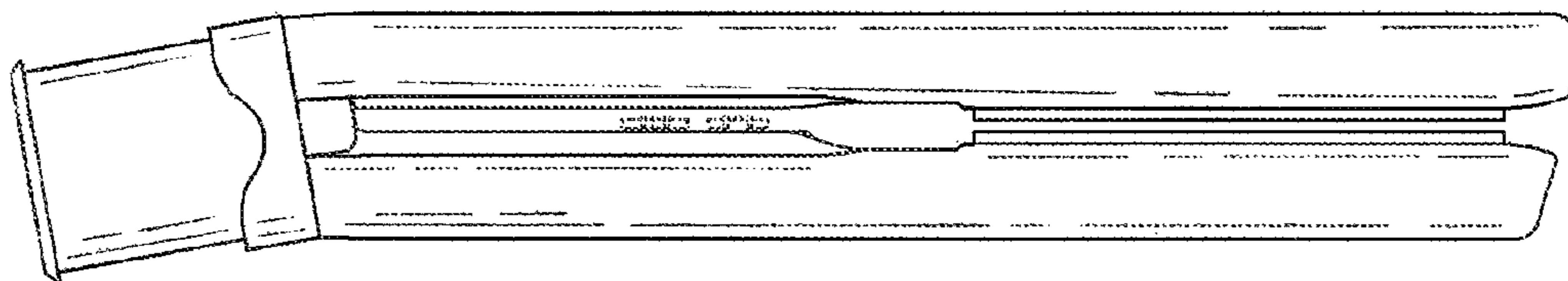
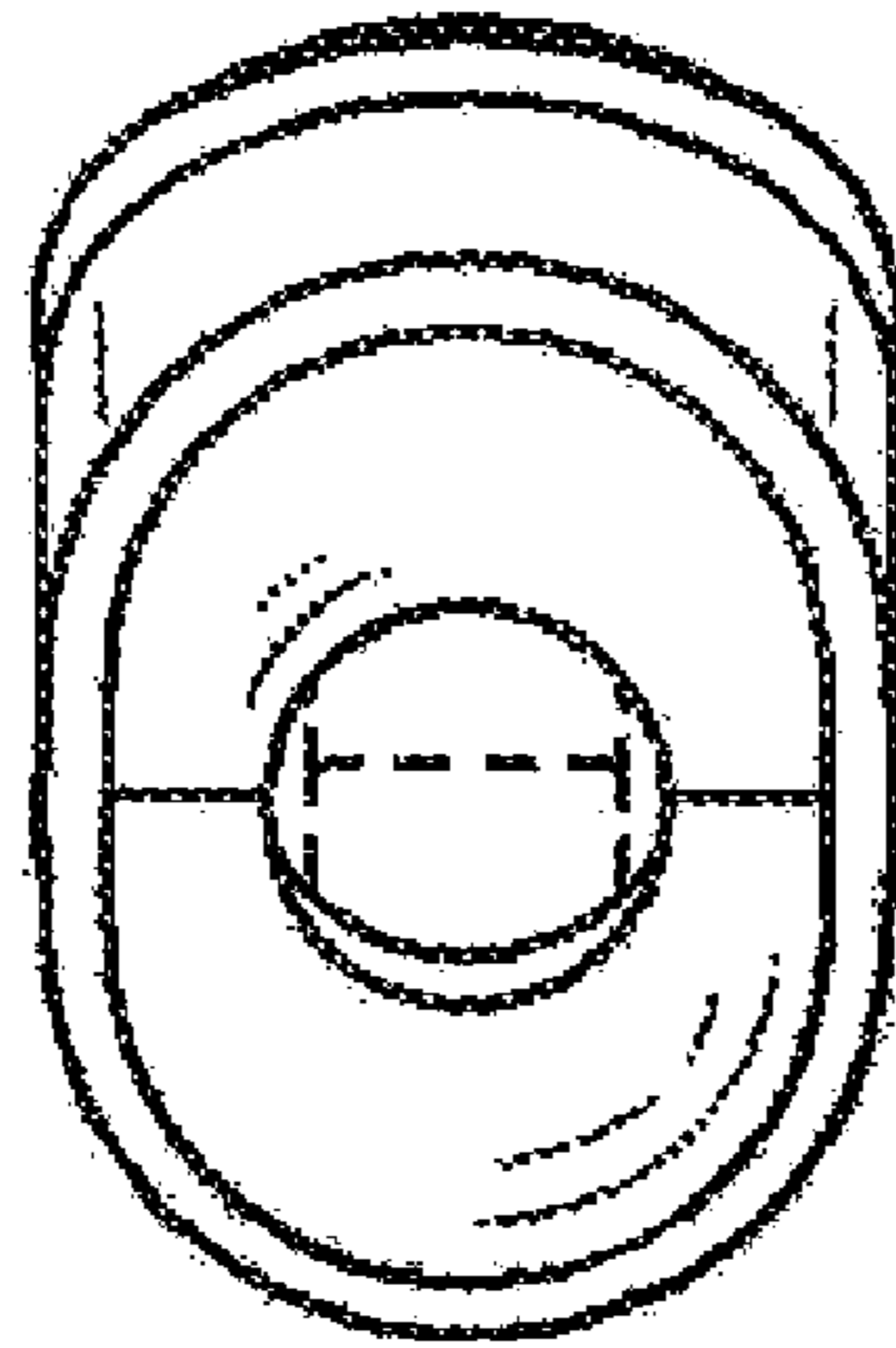
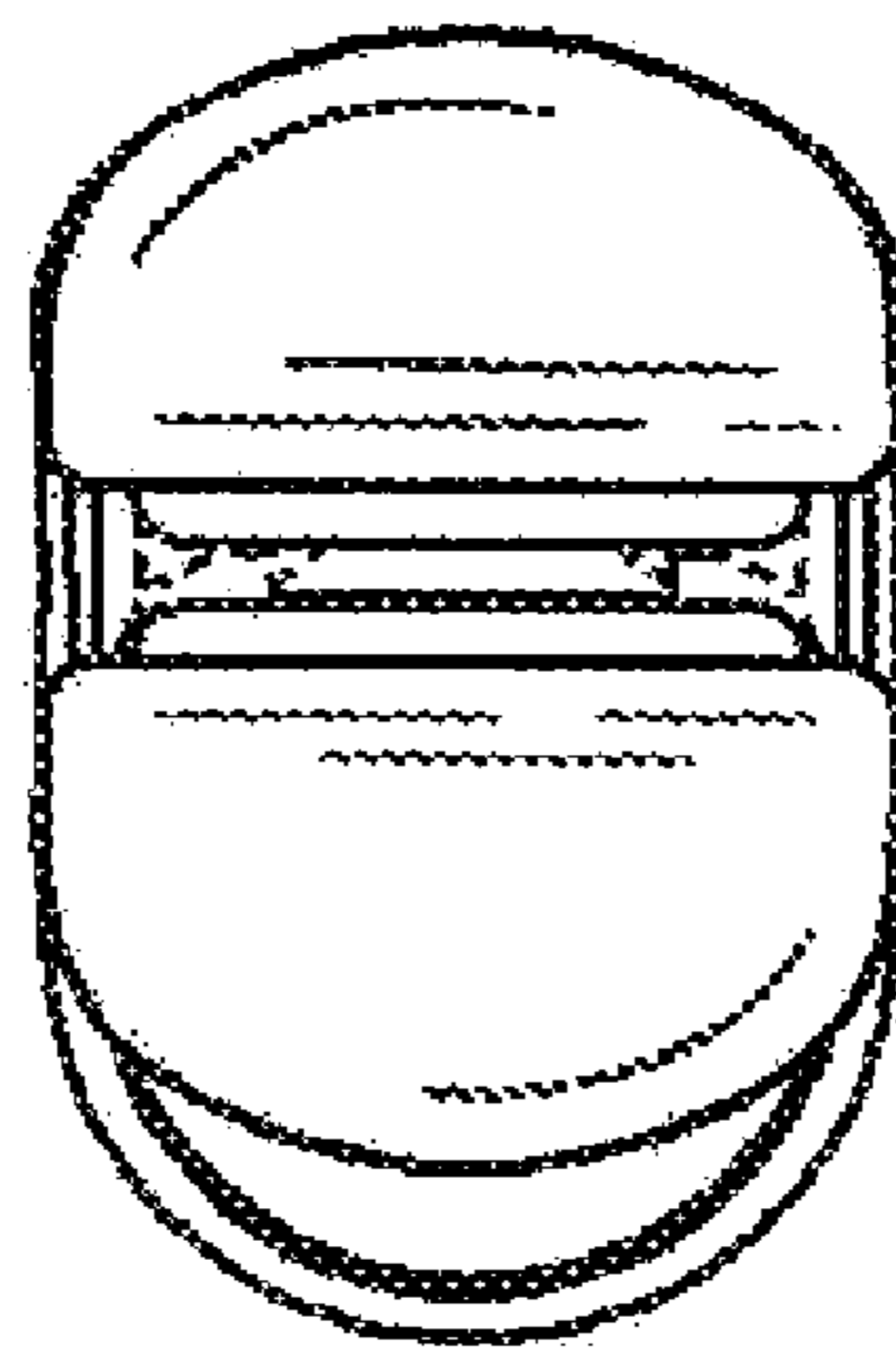


FIG. 2



**FIG. 3**



**FIG. 4**

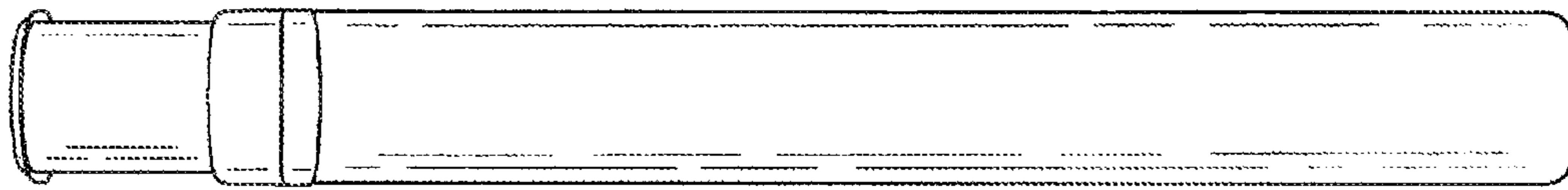


FIG. 5

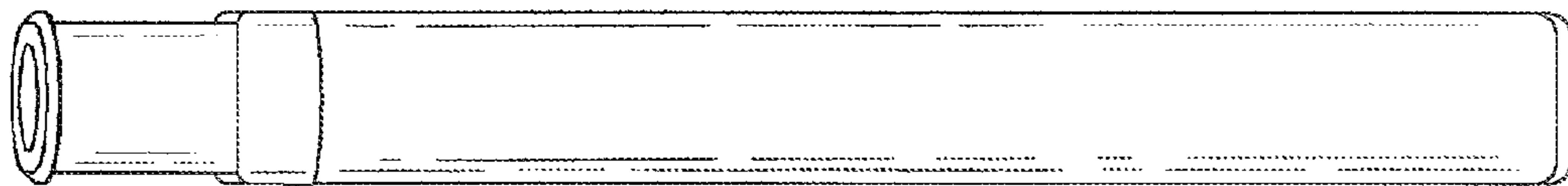


FIG. 6