



US00D627508S

(12) **United States Design Patent**  
**Showers**

(10) **Patent No.:** **US D627,508 S**

(45) **Date of Patent:** **\*\* Nov. 16, 2010**

(54) **CIGAR AND ACCESSORY HOLDER**

(76) Inventor: **Casey Steven Showers**, 567 W. Channel Islands Blvd., #389, Port Hueneme, CA (US) 93041

(\*\*) Term: **14 Years**

(21) Appl. No.: **29/341,211**

(22) Filed: **Jul. 31, 2009**

**Related U.S. Application Data**

(63) Continuation of application No. 29/331,190, filed on Jan. 21, 2009, now abandoned.

(51) **LOC (9) Cl.** ..... **27-06**

(52) **U.S. Cl.** ..... **D27/185; D27/189; D3/303**

(58) **Field of Classification Search** ..... D3/284, D3/303, 294, 286, 205; 206/256–257, 236–241; D27/172, 185, 186, 189, 193  
See application file for complete search history.

(56) **References Cited**

**U.S. PATENT DOCUMENTS**

D182,212 S *	2/1958	Welner	.....	D3/284
D237,749 S *	11/1975	McGrath	.....	D3/284
D291,745 S *	9/1987	Hansen	.....	D3/303
D294,196 S *	2/1988	Bialo	.....	D3/284
D359,163 S *	6/1995	Summerfield et al.	.....	D3/205
D382,900 S *	8/1997	Wyant	.....	D3/303
D400,702 S *	11/1998	McEvoy Sherman	.....	D3/205

6,041,921 A *	3/2000	Staiano et al.	.....	206/236
D435,343 S *	12/2000	Eskandry	.....	D3/284
D447,342 S *	9/2001	Guy et al.	.....	D3/303
D459,877 S *	7/2002	Laprise	.....	D3/303
D461,046 S *	8/2002	Cohen	.....	D3/205
D463,664 S *	10/2002	Borsuk	.....	D3/303
D572,006 S *	7/2008	Preston et al.	.....	D3/303
2004/0144660 A1 *	7/2004	Staiano	.....	206/236
2006/0124150 A1 *	6/2006	McEvoy-Sherman	.....	132/316

\* cited by examiner

*Primary Examiner*—Jennifer Rivard

(74) *Attorney, Agent, or Firm*—Plumsea Law Group, LLC

(57) **CLAIM**

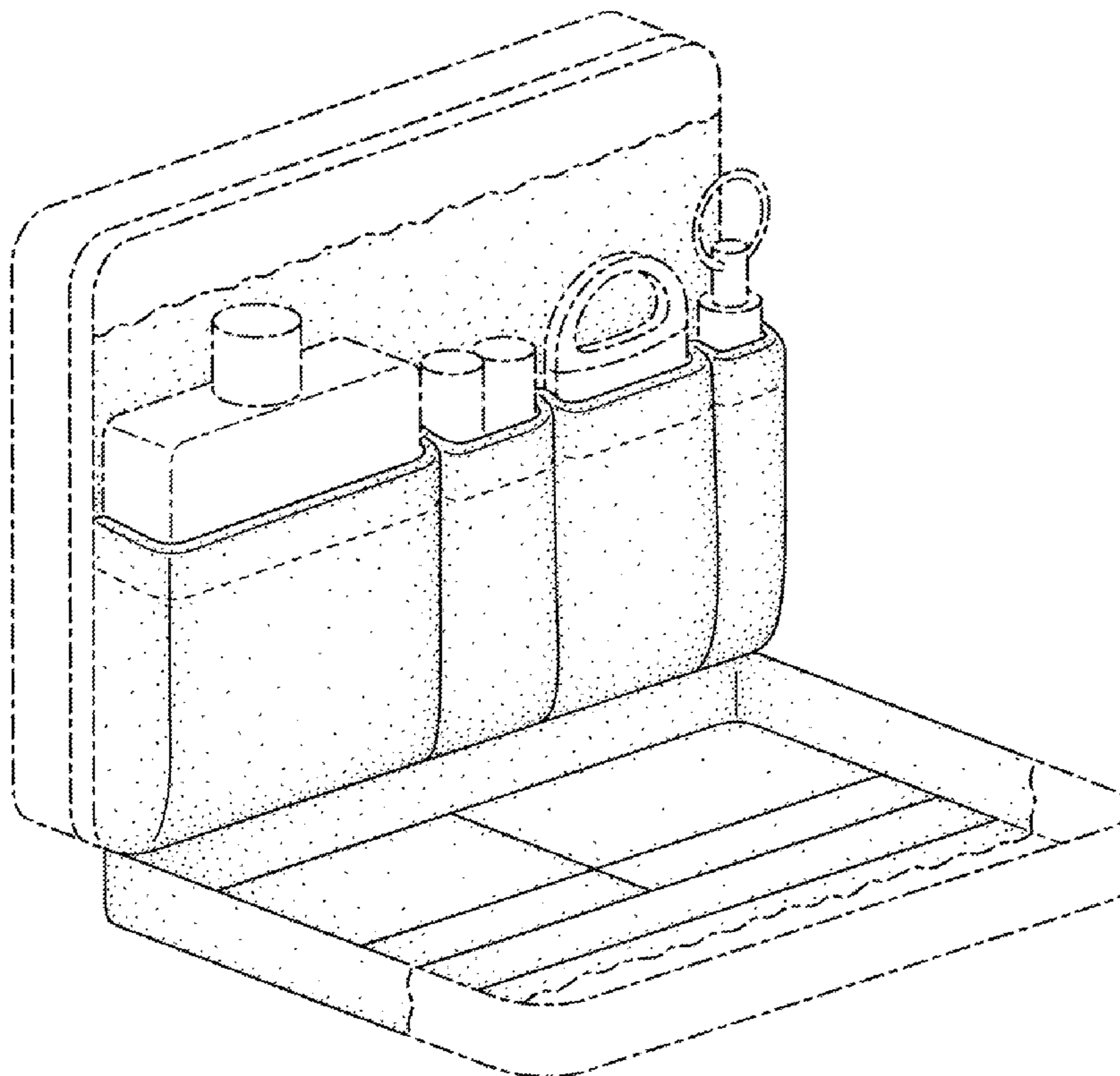
The ornamental design for a cigar and accessory holder, as shown and described.

**DESCRIPTION**

FIG. 1 is a perspective view of a cigar and accessory holder showing my new design; and, FIG. 2 is a front elevational view thereof.

The opposite perspective view of the cover portion of the holder is a mirror image of FIG. 1. The even broken line showings within the shaded area denote stitching lines which are a part of my claimed design. The uneven broken line showings of the boundaries of the claim, the cigars and accessories and the remainder of a carrying case are for illustrative purposes only and form no part of the claimed design.

**1 Claim, 2 Drawing Sheets**



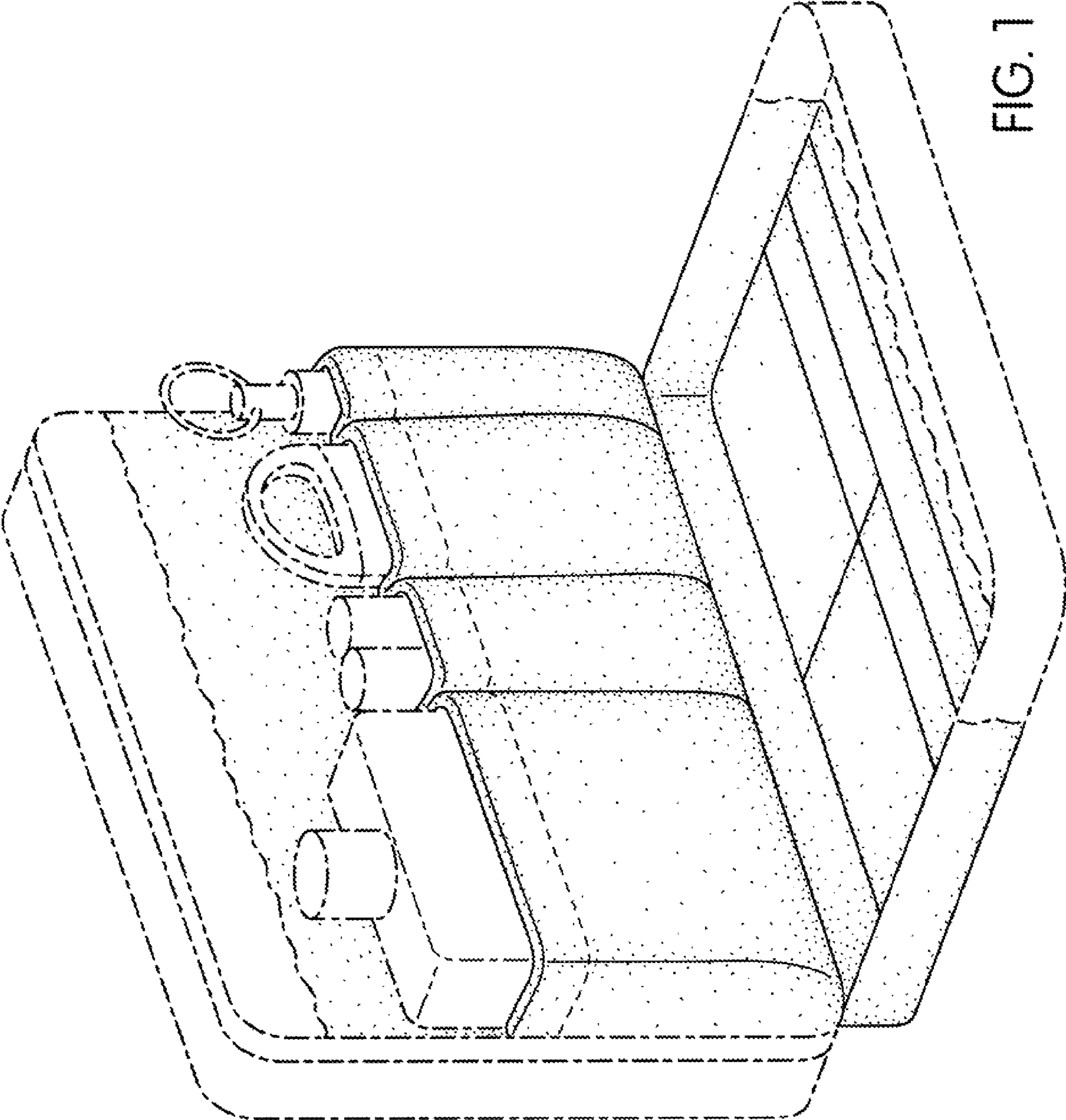


FIG. 1

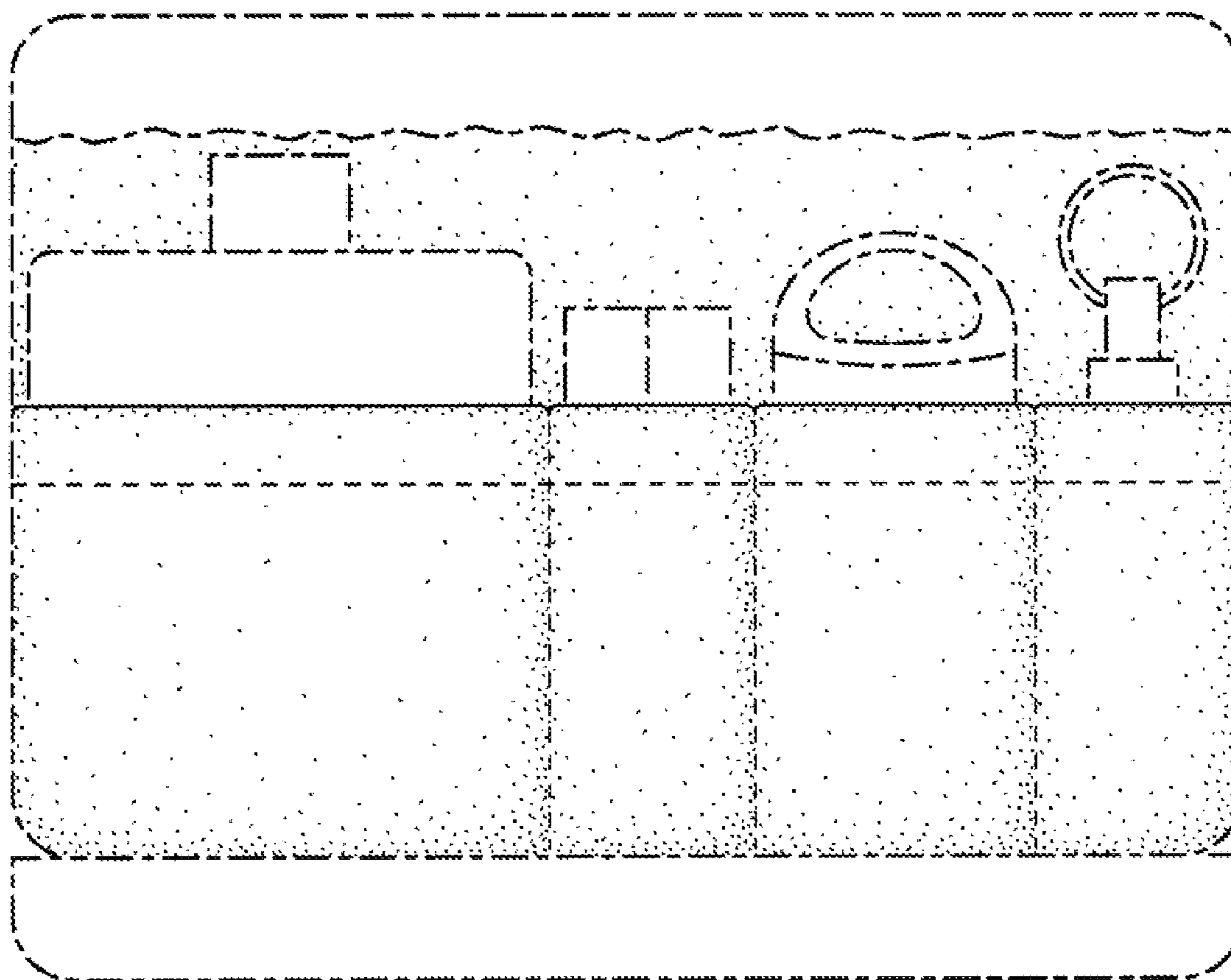


FIG. 2