



US00D627507S

(12) **United States Design Patent**
Lai et al.

(10) **Patent No.:** **US D627,507 S**
(45) **Date of Patent:** **** Nov. 16, 2010**

(54) **LAMP HOUSING**

(75) Inventors: **Chih-Ming Lai**, Miao-Li Hsien (TW);
Hong-Bin Yang, Miao-Li Hsien (TW)

(73) Assignee: **Foxsemicon Integrated Technology, Inc.**, Chu-Nan, Miao-Li Hsien (TW)

(**) Term: **14 Years**

(21) Appl. No.: **29/361,844**

(22) Filed: **May 17, 2010**

(51) **LOC (9) Cl.** **26-99**

(52) **U.S. Cl.** **D26/138**

(58) **Field of Classification Search** D26/63,
D26/67, 136, 87, 92, 142, 145, 155, 1, 2,
D26/134, 154, 3, 138, 123, 118, 133, 129,
D26/130, 131, 28, 124, 144, 81, 84, 85, 120,
D26/128, 140, 141, 143; 362/291, 294, 414,
362/352, 260, 220, 218, 219, 221, 241, 147,
362/277, 326, 351, 355, 356, 357, 370, 405,
362/432; 439/235, 226, 239; D13/110, 179,
D13/180

See application file for complete search history.

(56) **References Cited**

U.S. PATENT DOCUMENTS

3,538,321 A * 11/1970 Keller 362/289
D377,104 S * 12/1996 Roberts D26/24
6,655,813 B1 * 12/2003 Ng 362/148
7,144,140 B2 * 12/2006 Sun et al. 362/373

7,303,301 B2 * 12/2007 Koren et al. 362/101
D573,290 S * 7/2008 Shuai et al. D26/67
D584,428 S * 1/2009 Li et al. D26/2
D591,894 S * 5/2009 Flank D26/74
7,553,047 B2 * 6/2009 Shin et al. 362/294
2007/0253202 A1 * 11/2007 Wu et al. 362/294
2007/0297177 A1 * 12/2007 Wang et al. 362/294
2009/0034283 A1 * 2/2009 Albright et al. 362/545
2009/0201683 A1 * 8/2009 Chuan 362/294
2009/0237891 A1 * 9/2009 Liu et al. 361/714

* cited by examiner

Primary Examiner—Cathron C Brooks
Assistant Examiner—Kevin K Rudzinski
(74) *Attorney, Agent, or Firm*—Zhigang Ma

(57) **CLAIM**

The ornamental design for a lamp housing, as shown.

DESCRIPTION

FIG. 1 is a perspective view of a lamp housing showing our new design.

FIG. 2 is a front elevational view thereof.

FIG. 3 is a rear elevational view thereof.

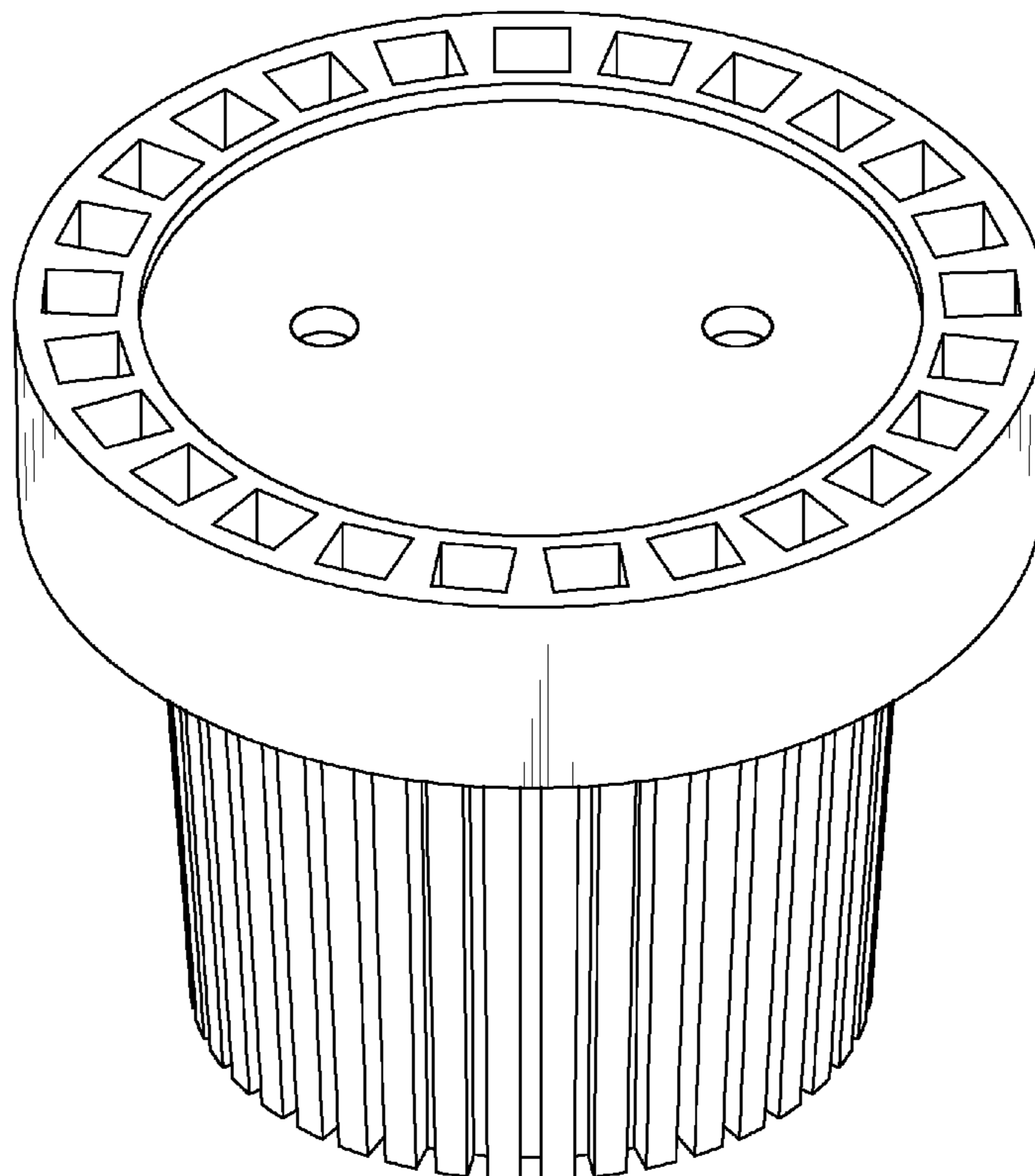
FIG. 4 is a left-side, elevational view thereof.

FIG. 5 is a right-side, elevational view thereof.

FIG. 6 is a top plan view thereof; and,

FIG. 7 is a bottom plan view thereof.

1 Claim, 7 Drawing Sheets



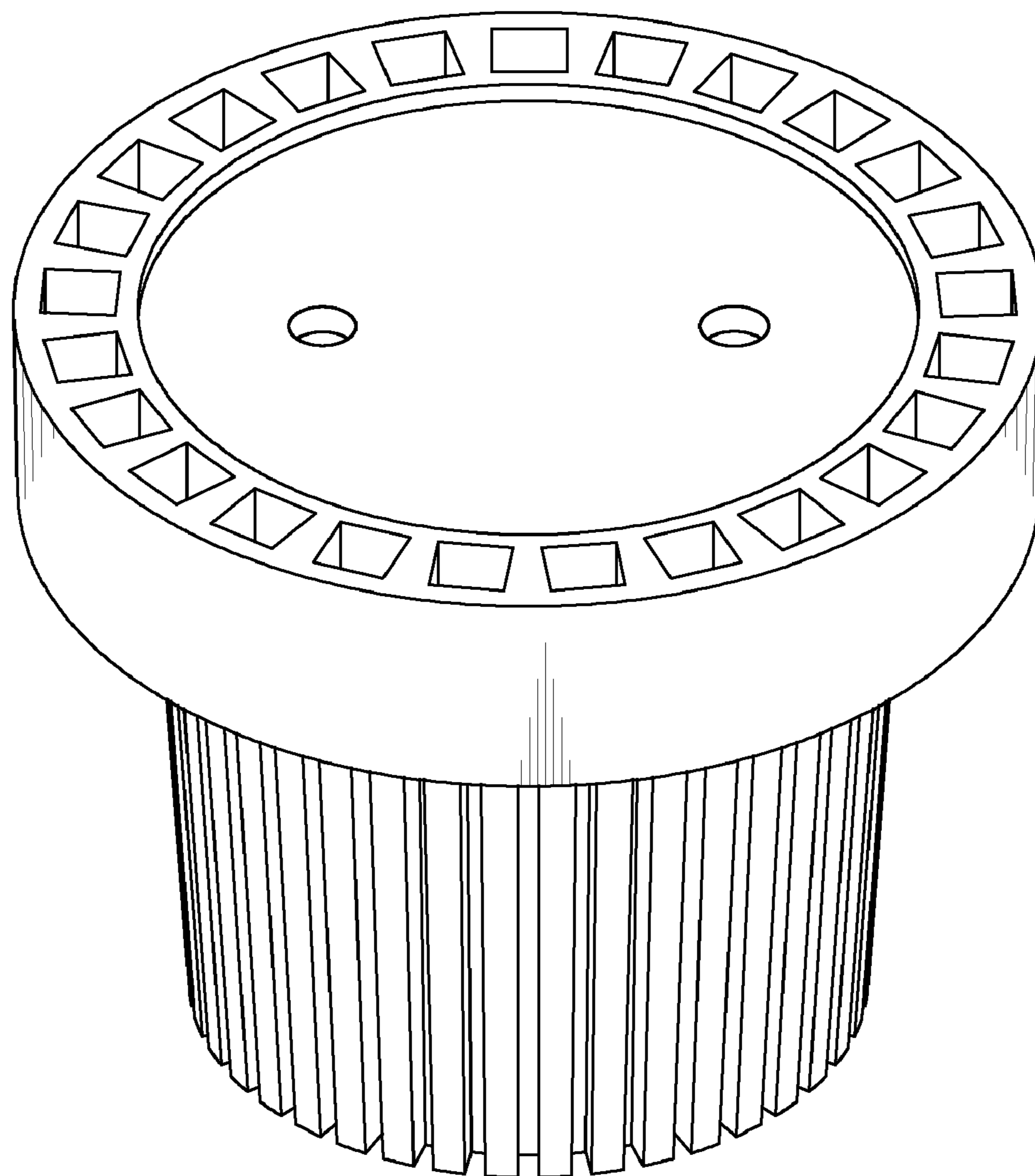


FIG. 1

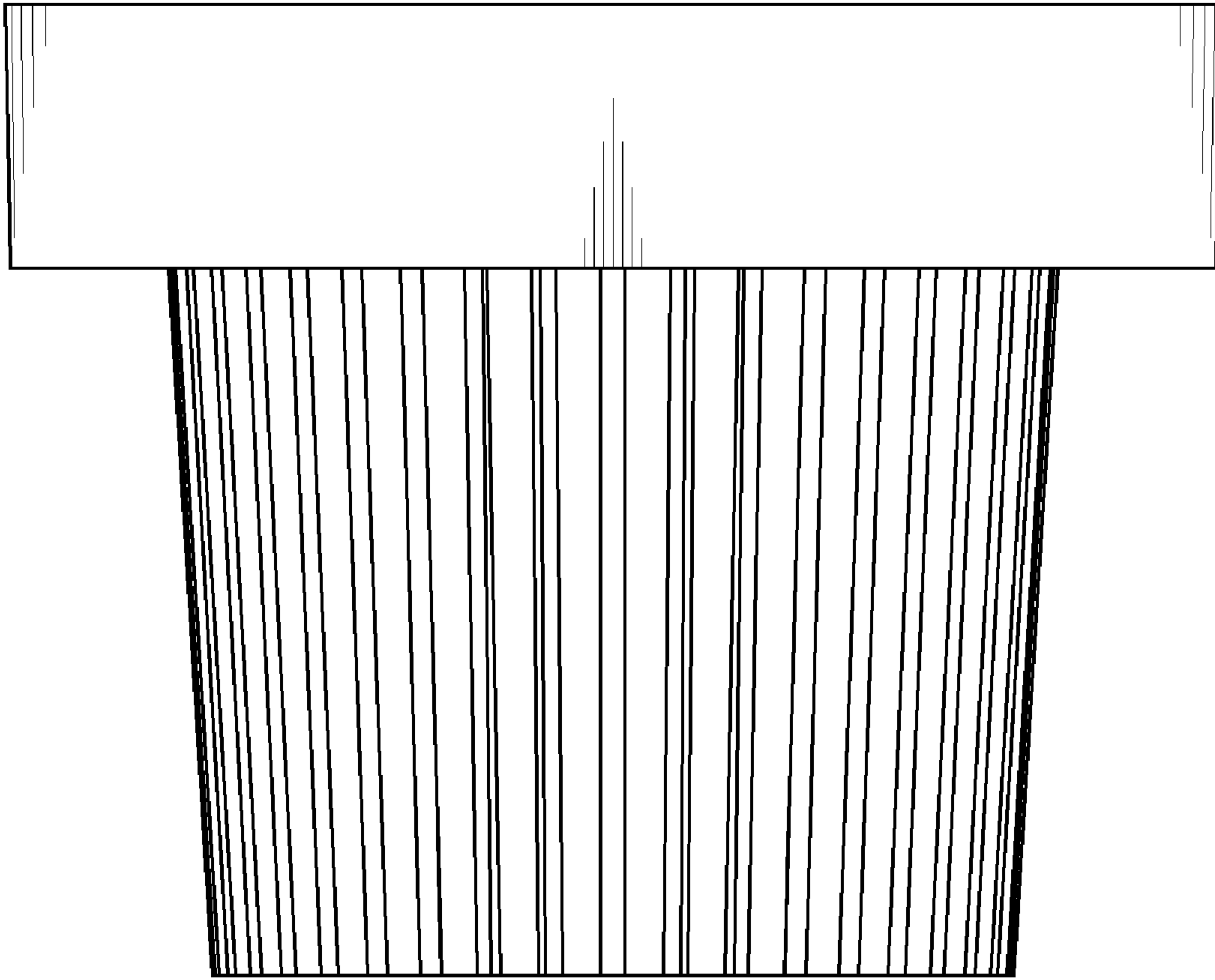


FIG. 2

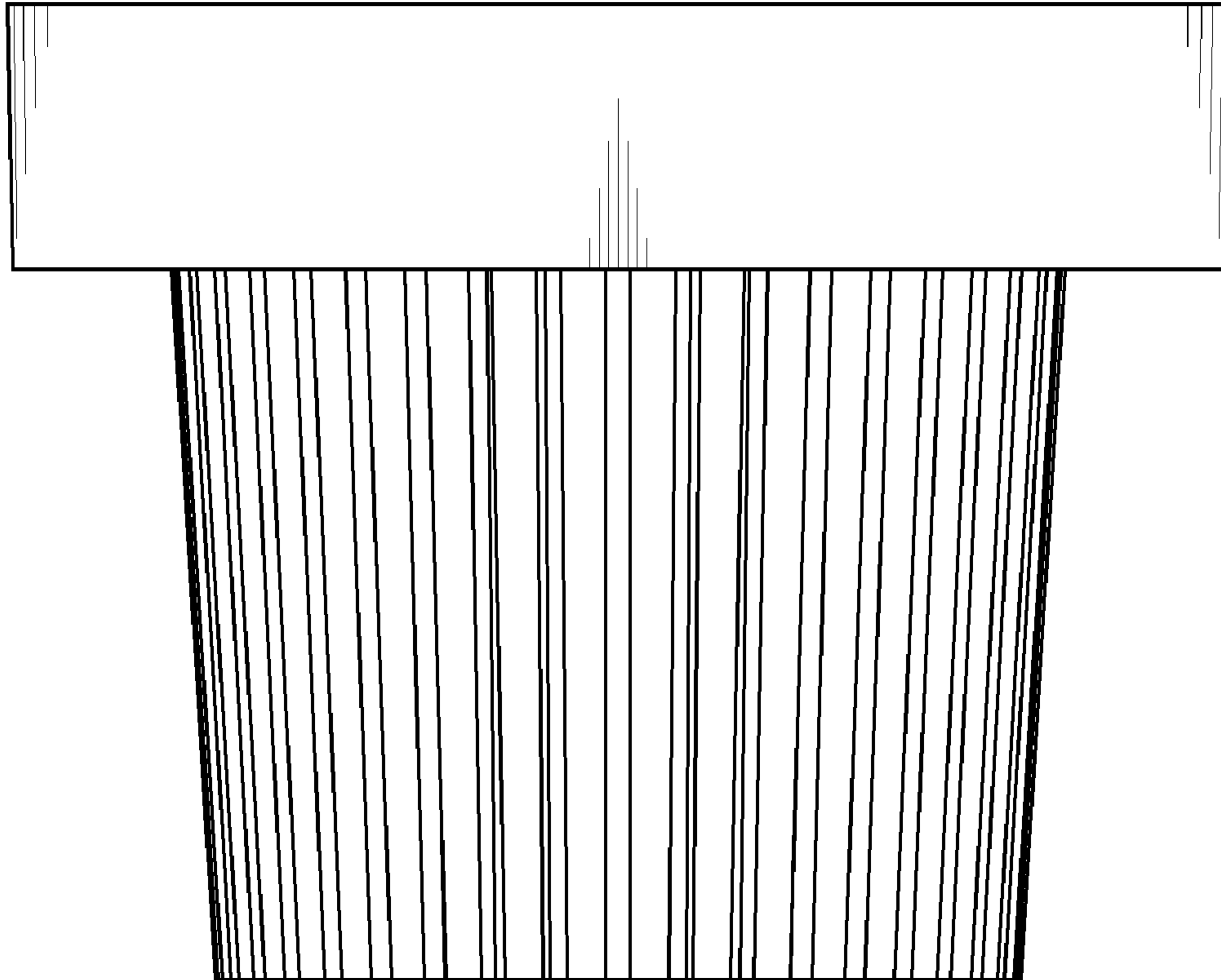


FIG. 3

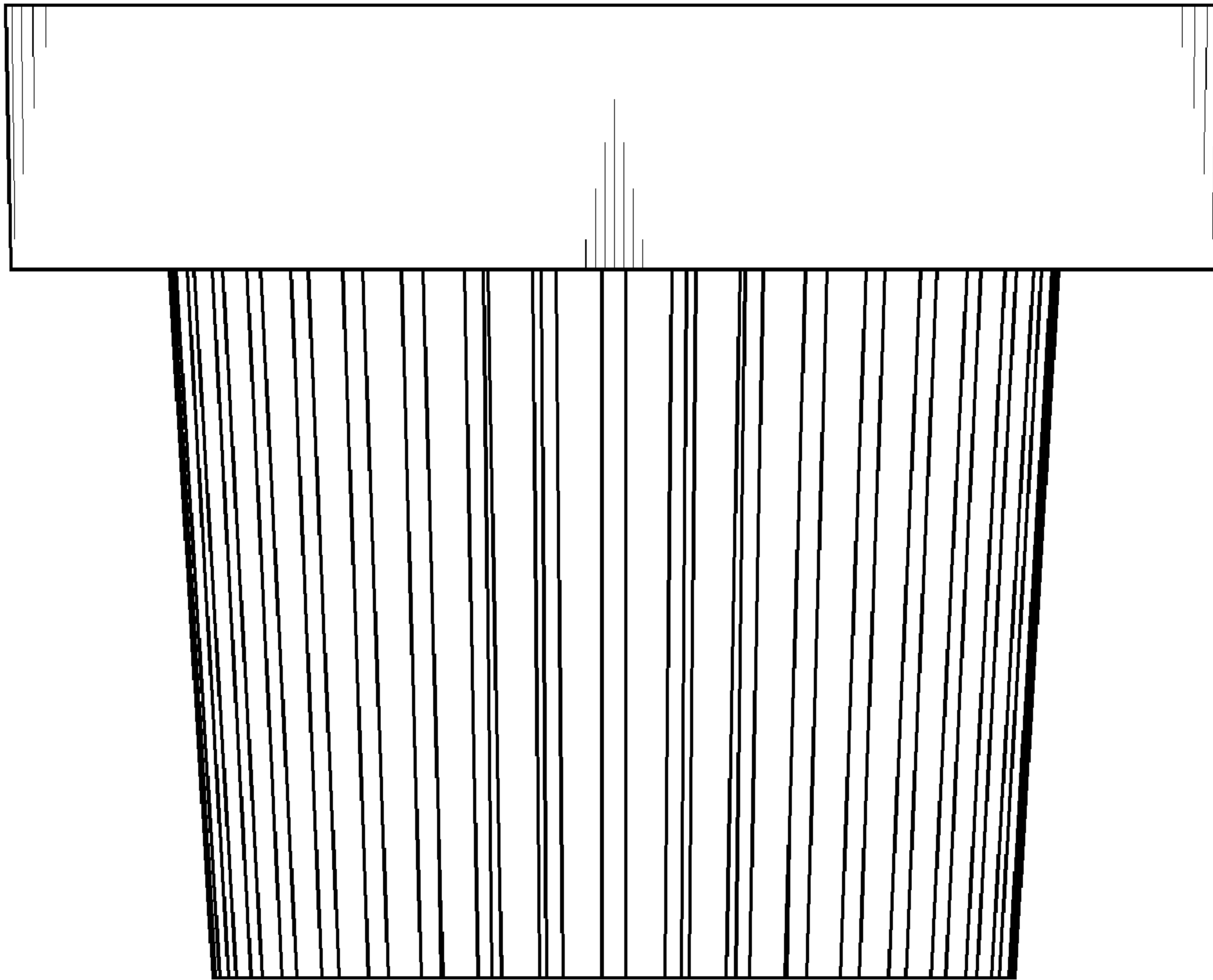


FIG. 4

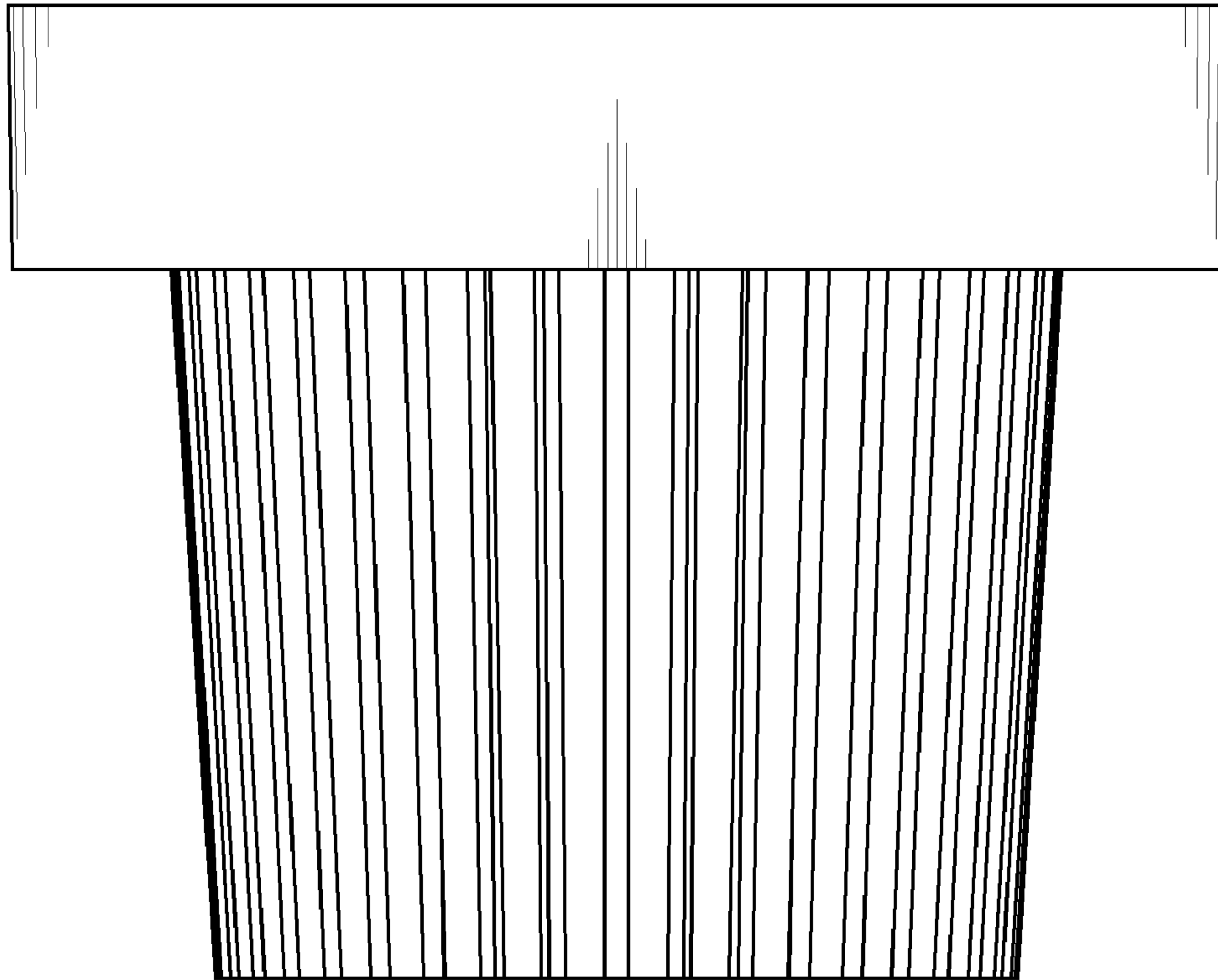


FIG. 5

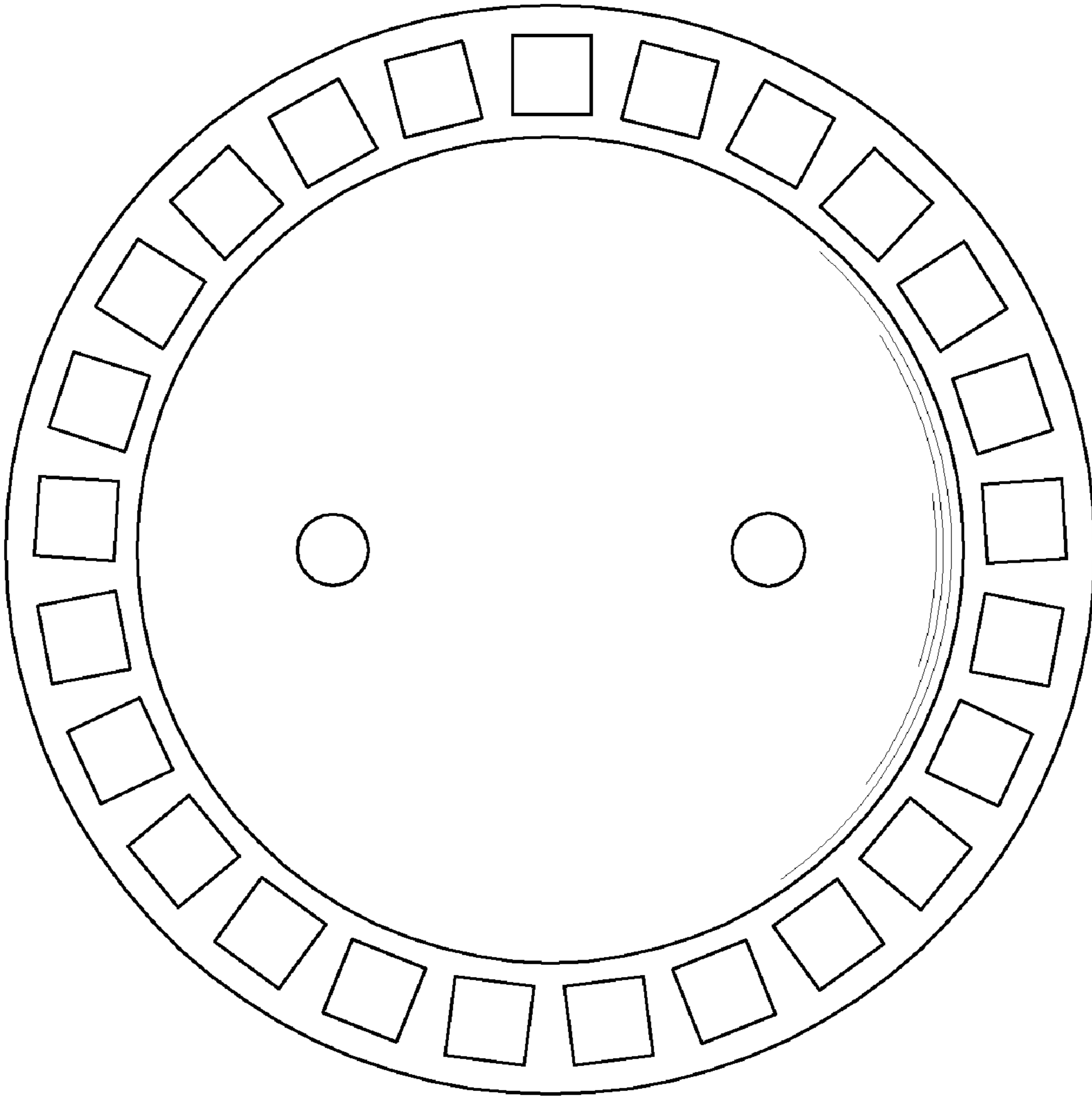


FIG. 6

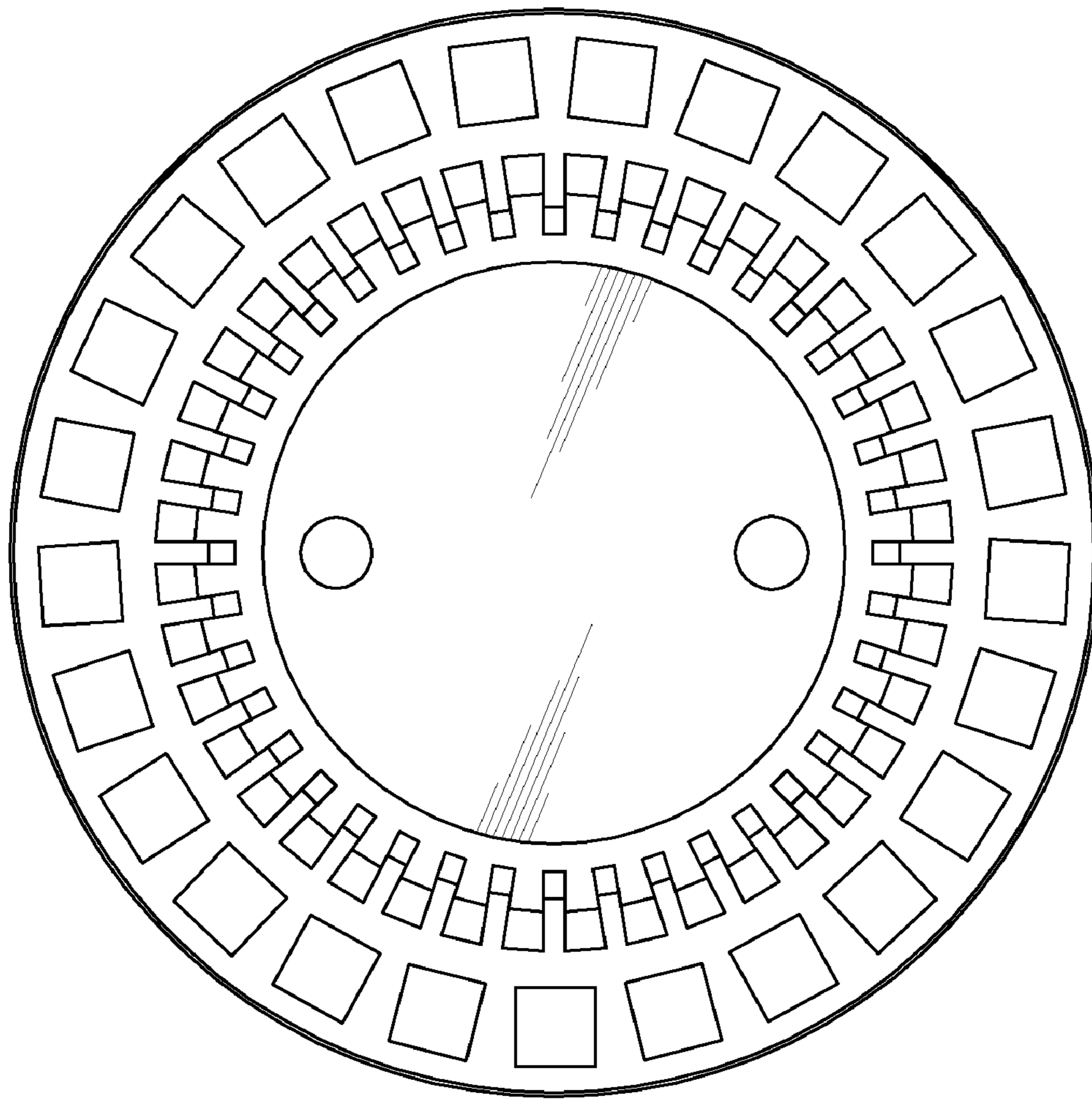


FIG. 7