



US00D627504S

(12) **United States Design Patent**
Fang et al.

(10) **Patent No.:** **US D627,504 S**

(45) **Date of Patent:** **** Nov. 16, 2010**

(54) **ILLUMINATION DEVICE**

(75) Inventors: **Jui-Wen Fang**, Miao-Li Hsien (TW);
Ping-Jung Tsai, Taipei Hsien (TW);
Yu-Pin Liu, Miao-Li Hsien (TW)

(73) Assignee: **Foxsemicon Integrated Technology, Inc.**, Chu-Nan, Miao-Li Hsien (TW)

(**) Term: **14 Years**

(21) Appl. No.: **29/351,713**

(22) Filed: **Dec. 10, 2009**

(30) **Foreign Application Priority Data**

Sep. 11, 2009 (CN) 2009 3 0315468

(51) **LOC (9) Cl.** **26-03**

(52) **U.S. Cl.** **D26/93**

(58) **Field of Classification Search** D26/1,
D26/24, 67, 93-94, 101, 104-110, 113, 118;
362/3, 153, 186, 217, 255, 257, 277, 317,
362/351, 353, 362, 363, 37, 382, 431, 433,
362/458, 806

See application file for complete search history.

(56) **References Cited**

U.S. PATENT DOCUMENTS

6,536,924 B2 * 3/2003 Segretto 362/373
D527,131 S * 8/2006 McCarthy, III D26/63

D563,013 S * 2/2008 Levine D26/63
D571,943 S * 6/2008 Tragatschnig D26/61
D581,571 S * 11/2008 Levine D26/63

* cited by examiner

Primary Examiner—Brian N Vinson

(74) *Attorney, Agent, or Firm*—Clifford O. Chi

(57) **CLAIM**

The ornamental design for an illumination device, as shown and described.

DESCRIPTION

FIG. 1 is a perspective view of an illumination device of the present invention.

FIG. 2 is a front elevational view of the illumination device of FIG. 1.

FIG. 3 is a rear elevational view of the illumination device of FIG. 1.

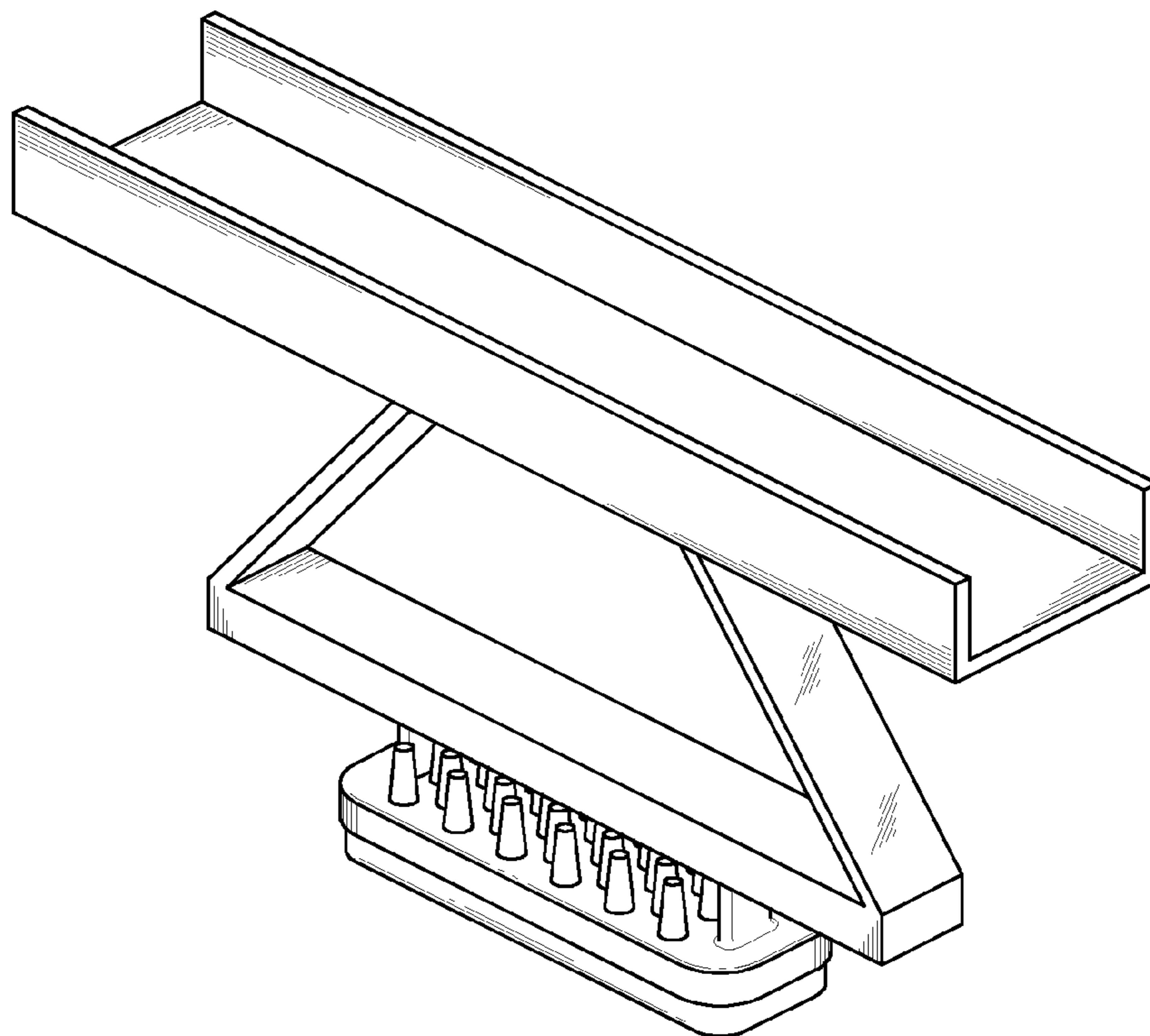
FIG. 4 is a left-side, elevational view of the illumination device of FIG. 1.

FIG. 5 is a right-side, elevational view of the illumination device of FIG. 1.

FIG. 6 is a top plan view of the illumination device of FIG. 1; and,

FIG. 7 is a bottom plan view of the illumination device of FIG. 1.

1 Claim, 7 Drawing Sheets



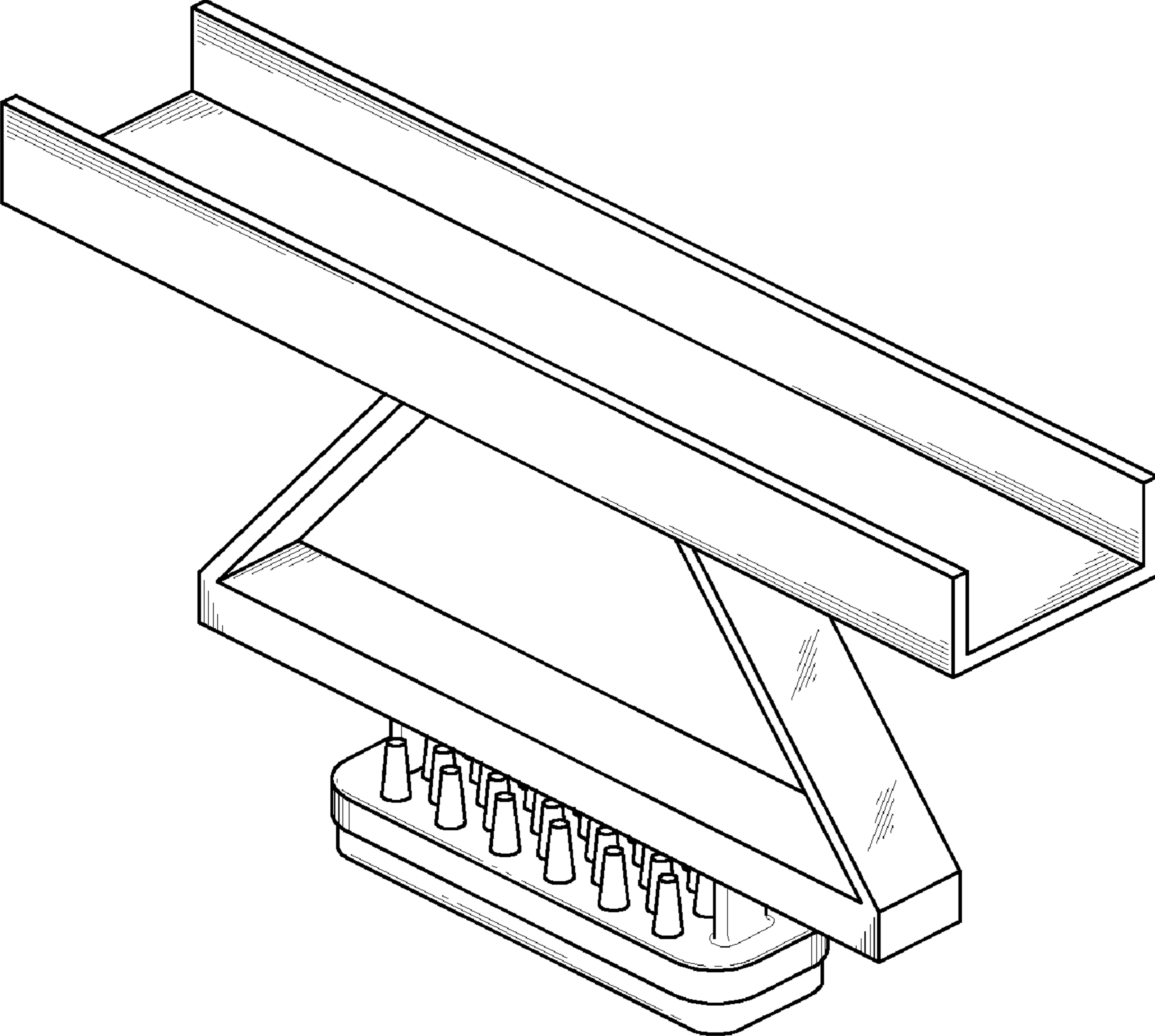


FIG. 1

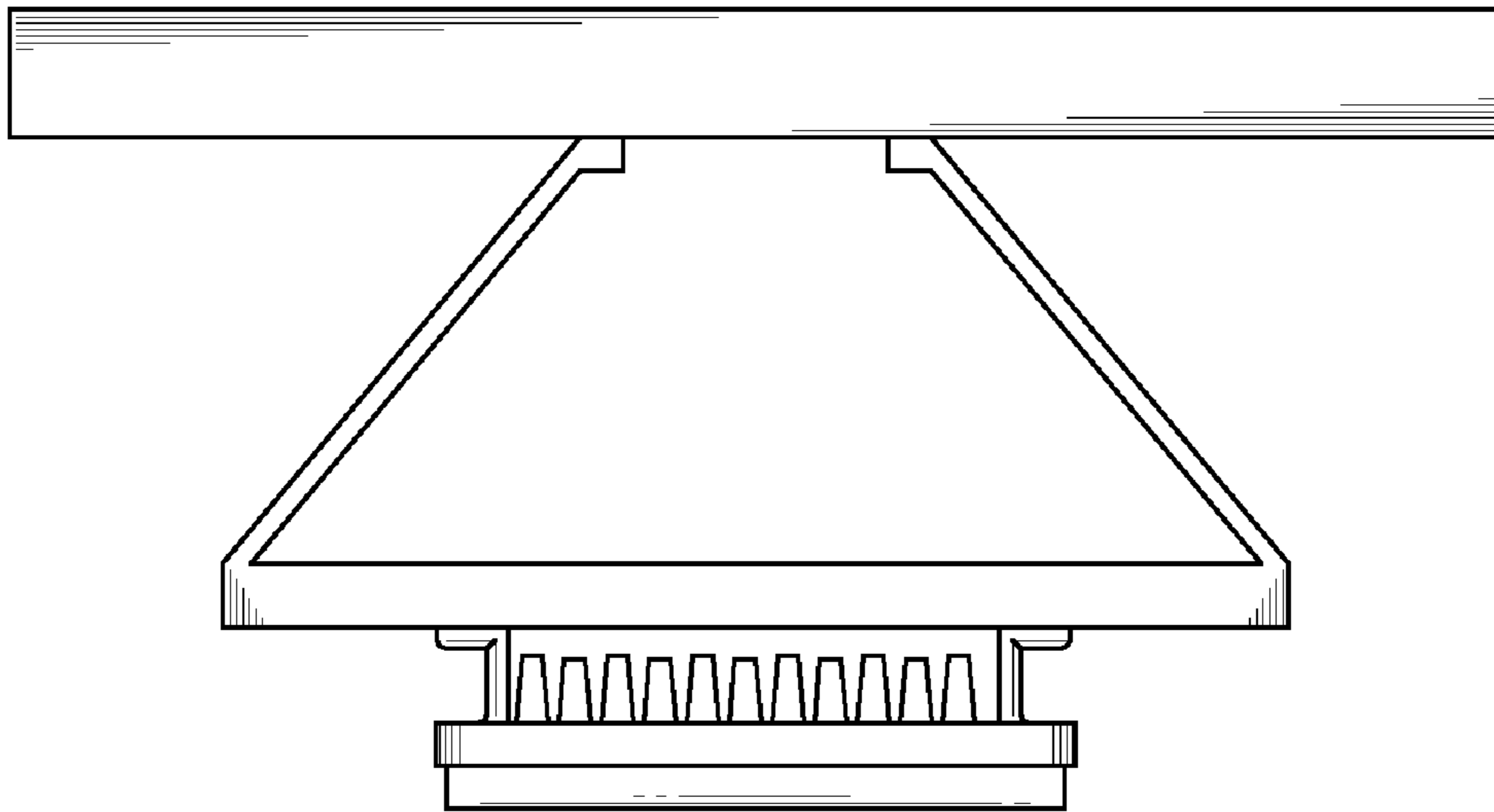


FIG. 2

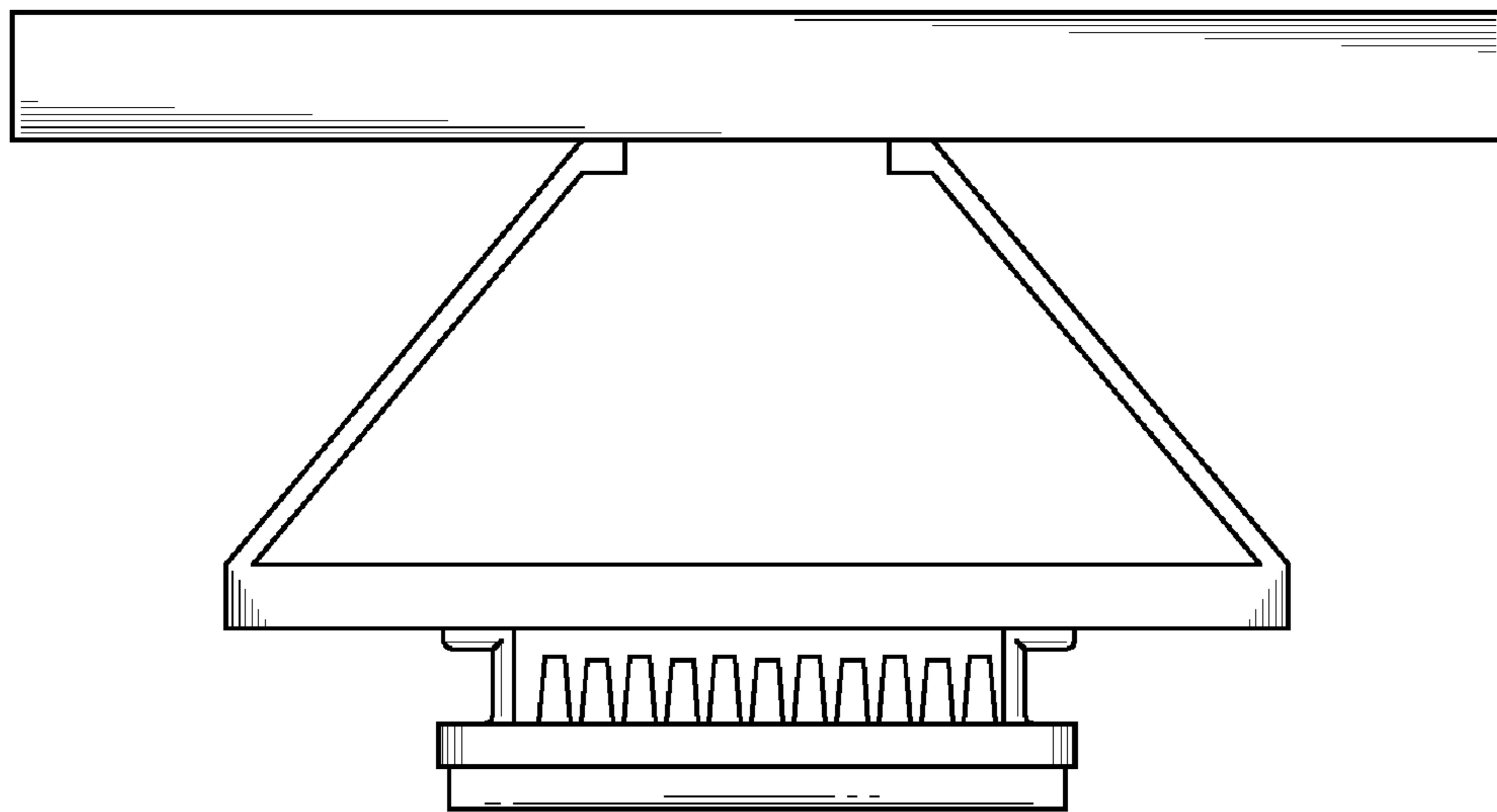


FIG. 3

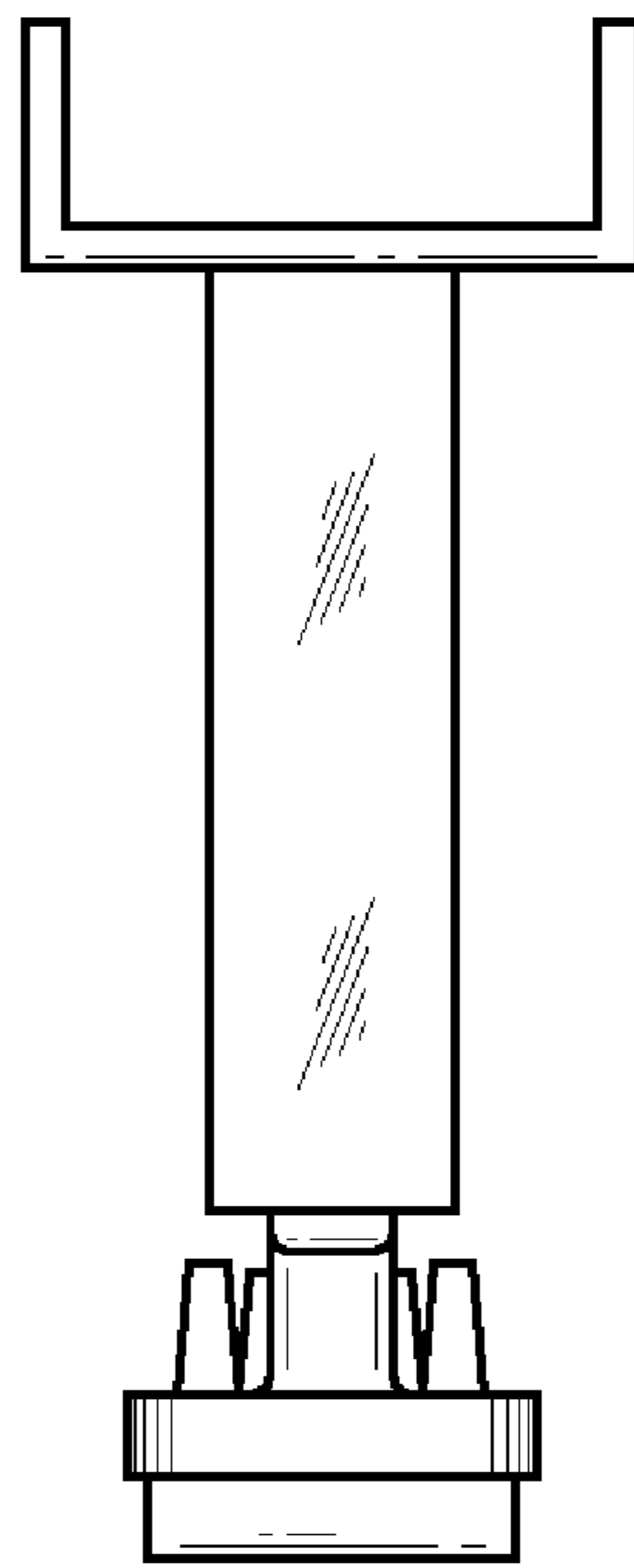


FIG. 4

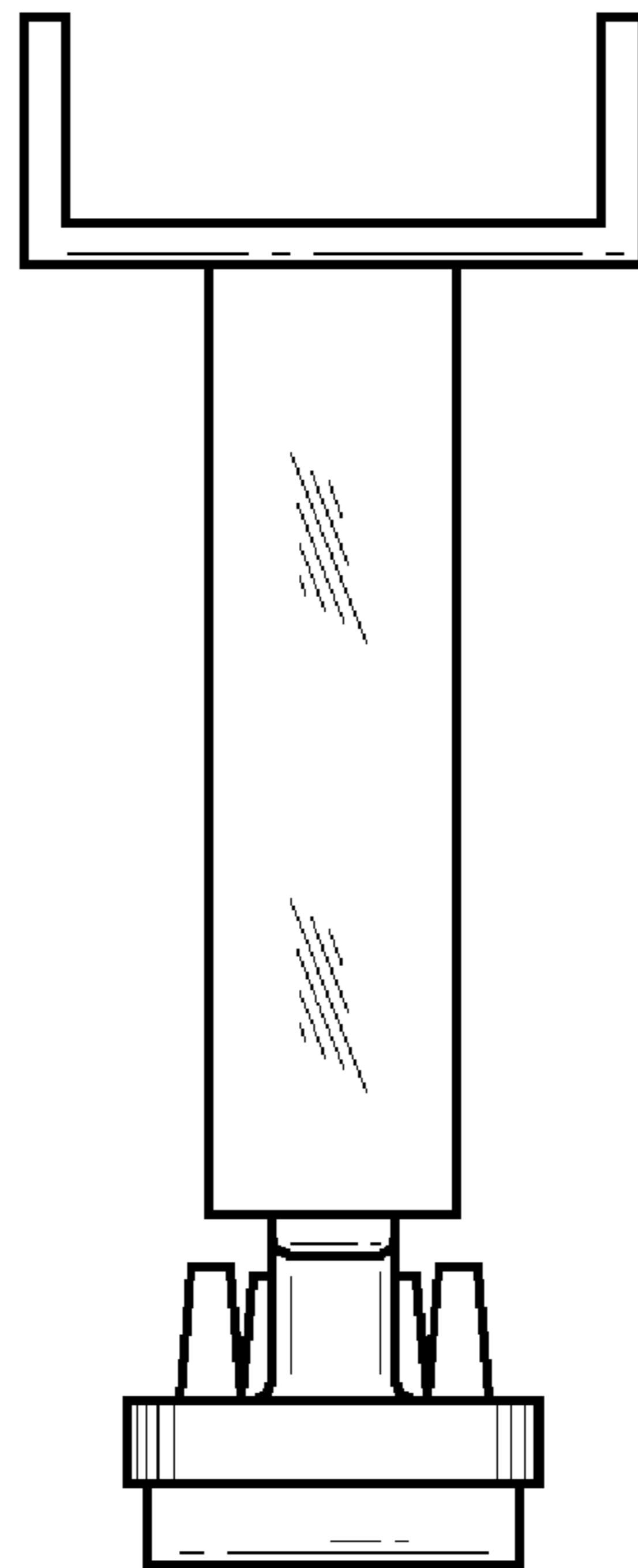


FIG. 5

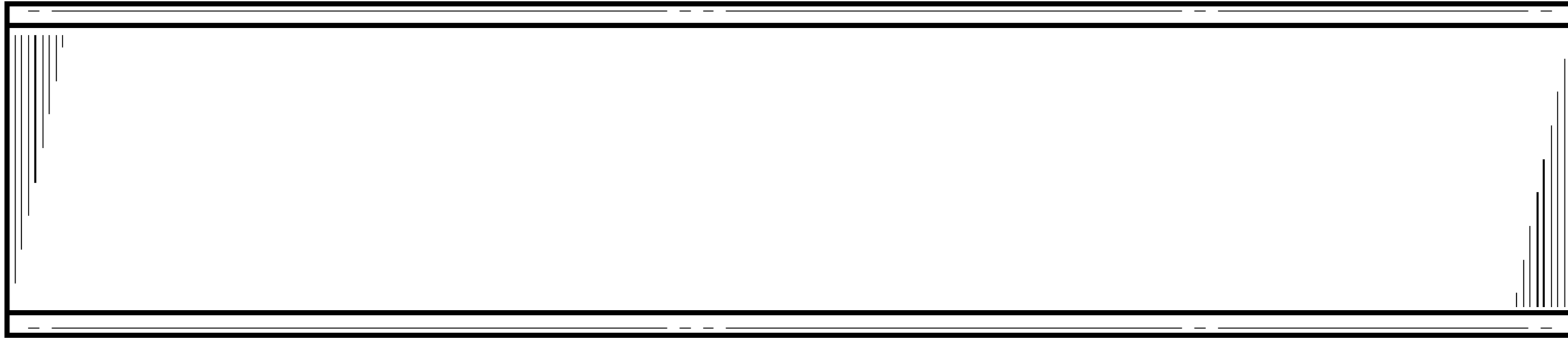


FIG. 6

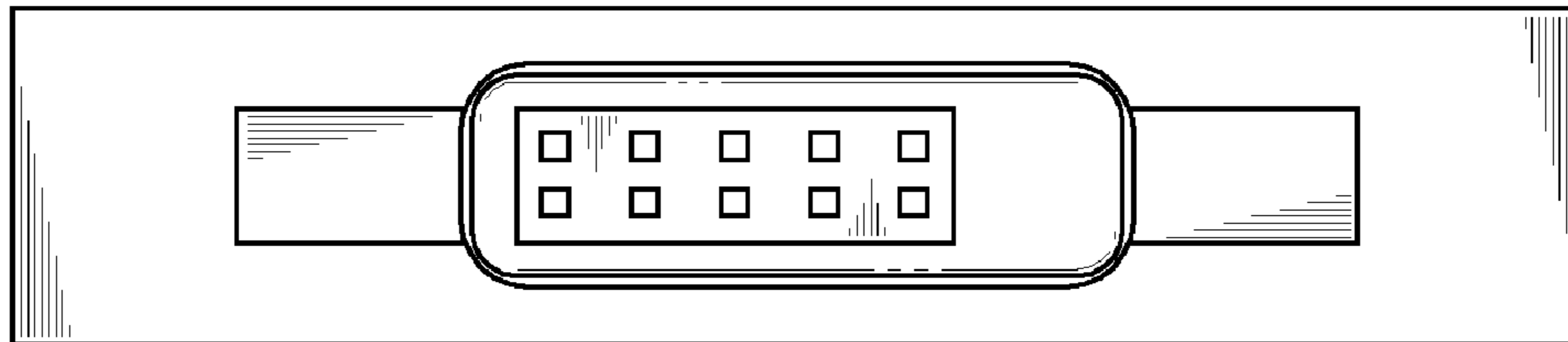


FIG. 7