



US00D627502S

(12) **United States Design Patent**
Zheng et al.

(10) **Patent No.:** **US D627,502 S**

(45) **Date of Patent:** **** Nov. 16, 2010**

(54) **LED LAMP**

(75) Inventors: **Shi-Song Zheng**, Shenzhen (CN);
Xing-Gui Huang, Shenzhen (CN);
Chin-Chung Chen, Tu-Cheng (TW)

(73) Assignee: **Foxconn Technology Co., Ltd.**,
Tu-Cheng, Taipei Hsien (TW)

(**) Term: **14 Years**

(21) Appl. No.: **29/350,715**

(22) Filed: **Nov. 23, 2009**

(30) **Foreign Application Priority Data**

Nov. 6, 2009 (CN) 200930323285

(51) **LOC (9) Cl.** **26-05**

(52) **U.S. Cl.** **D26/72; D26/88**

(58) **Field of Classification Search** D26/67-72,
D26/85, 92, 119; 362/145, 183, 249.02,
362/249.03, 249.04, 249.06, 249.16, 231,
362/431

See application file for complete search history.

(56) **References Cited**

U.S. PATENT DOCUMENTS

D200,118 S * 1/1965 Steenhoven D26/71
D205,719 S * 9/1966 Pettengill D26/69

D557,853 S * 12/2007 Sandell D26/71
D573,288 S * 7/2008 Xu et al. D26/67
D573,290 S * 7/2008 Shuai et al. D26/67
7,611,264 B1 * 11/2009 Chang et al. 362/249.02
7,645,053 B2 * 1/2010 Machi et al. 362/241
2003/0206416 A1 * 11/2003 Mullally et al. 362/431
2009/0147517 A1 * 6/2009 Li et al. 362/249.02
2009/0147518 A1 * 6/2009 Shuai et al. 362/249.02
2009/0290349 A1 * 11/2009 Chu et al. 362/249.02
2010/0046226 A1 * 2/2010 Cox et al. 362/249.06

* cited by examiner

Primary Examiner—Clare E Heflin

(74) *Attorney, Agent, or Firm*—Frank R. Niranjana

(57) **CLAIM**

The ornamental design for an LED lamp, as shown.

DESCRIPTION

FIG. 1 is a perspective view of an LED lamp showing our new design.

FIG. 2 is a front elevational view thereof.

FIG. 3 is a rear elevational view thereof.

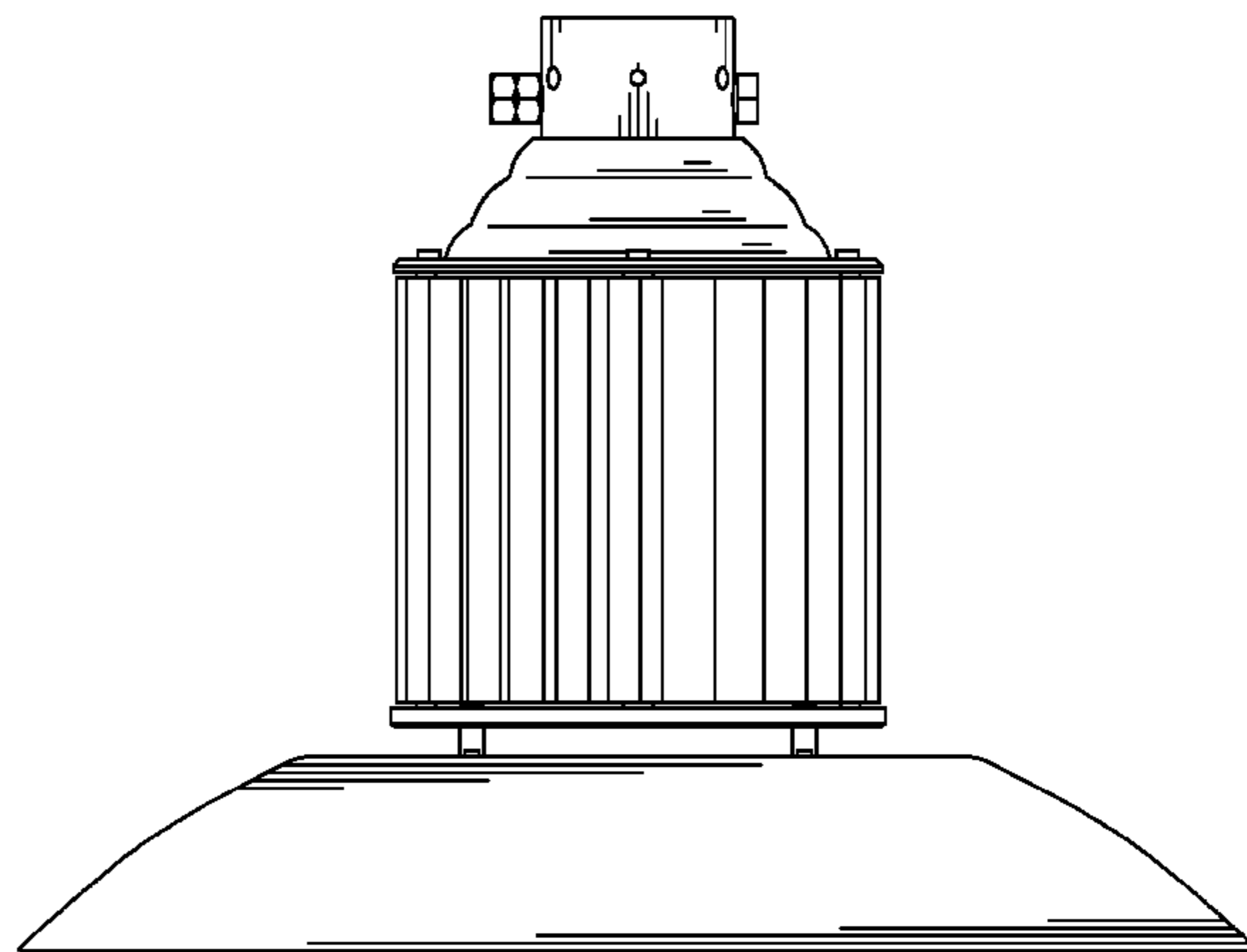
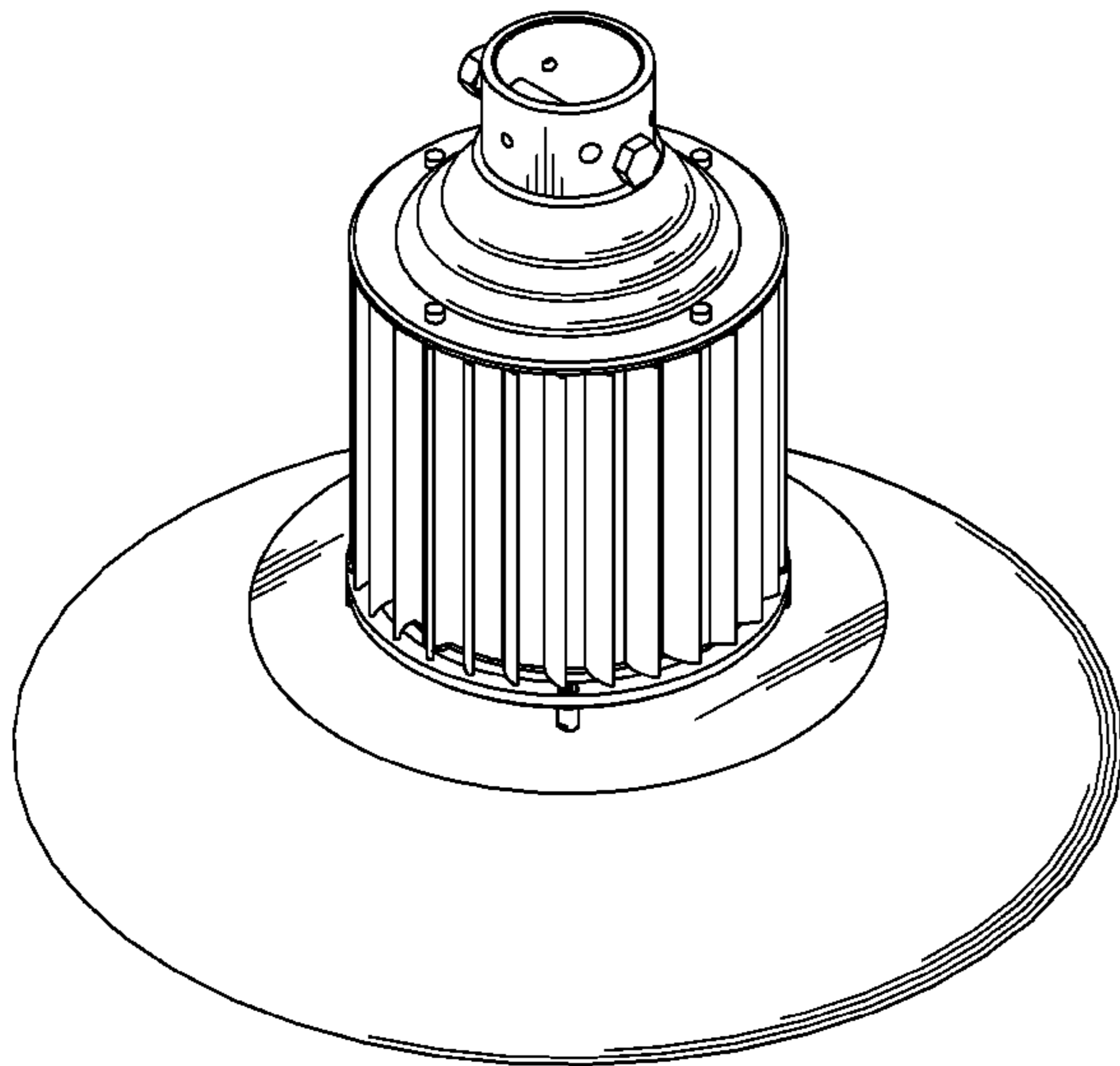
FIG. 4 is a left-side, elevational view thereof.

FIG. 5 is a right-side, elevational view thereof.

FIG. 6 is a top plan view thereof; and,

FIG. 7 is a bottom plan view thereof.

1 Claim, 7 Drawing Sheets



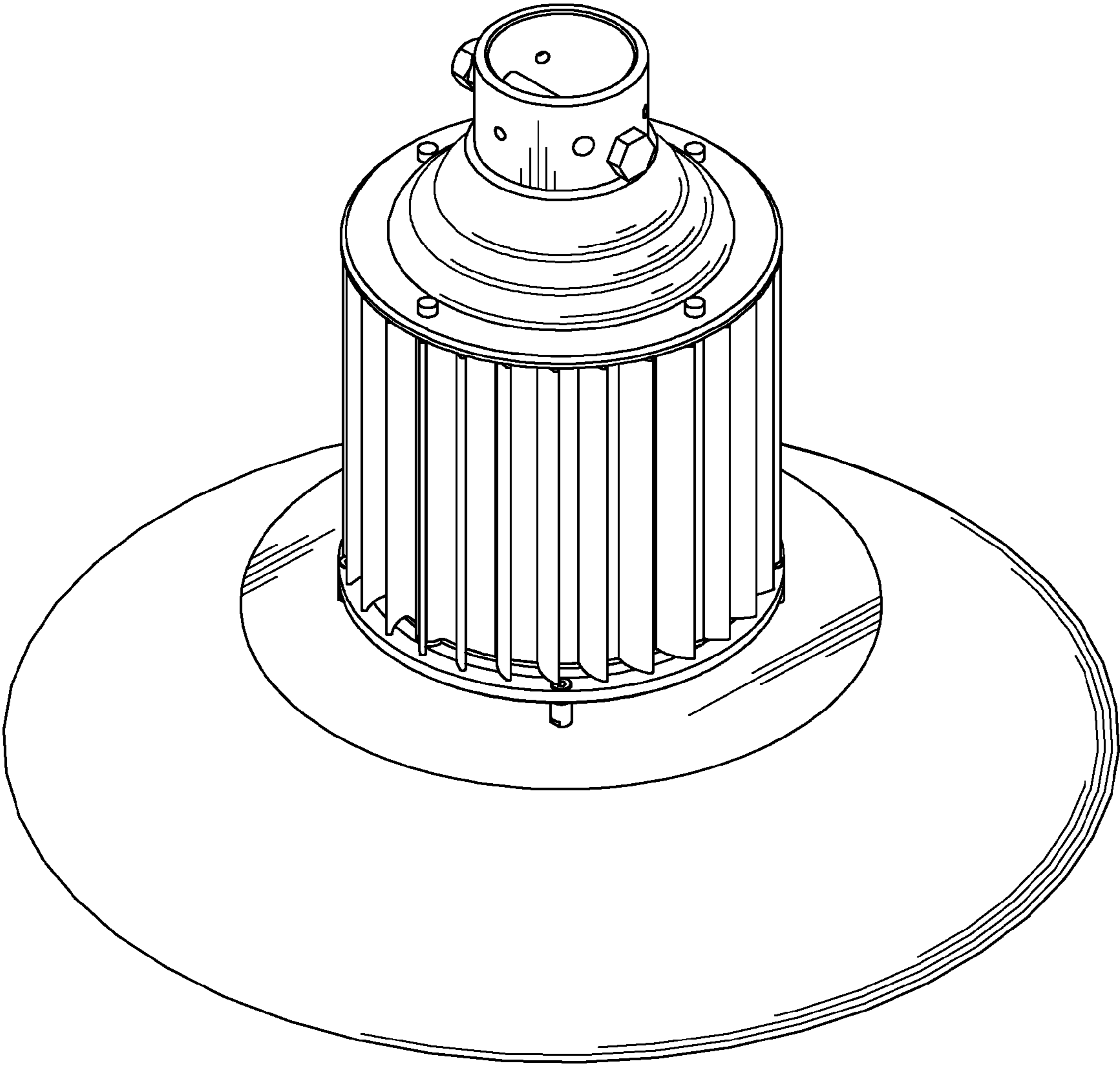


FIG. 1

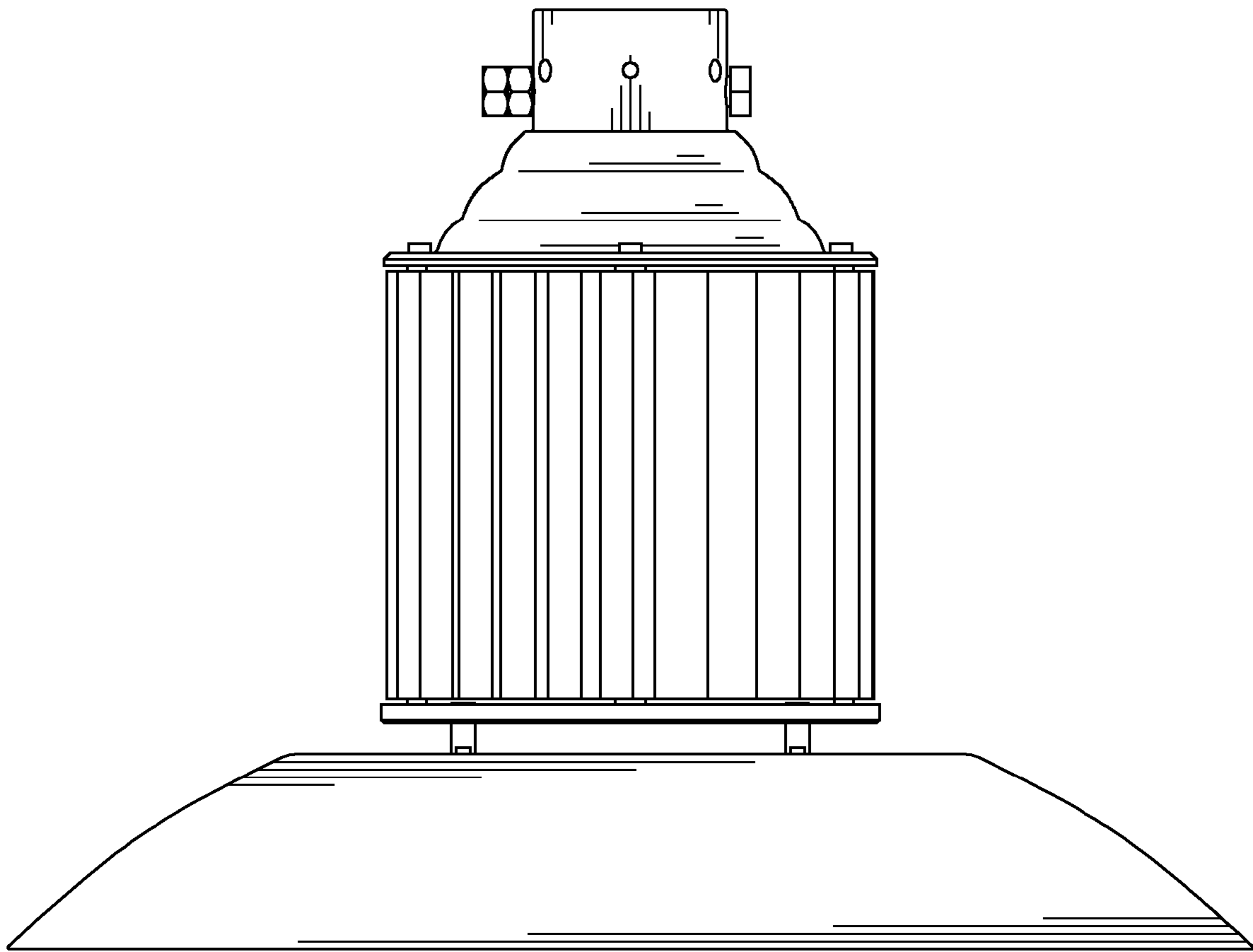


FIG. 2

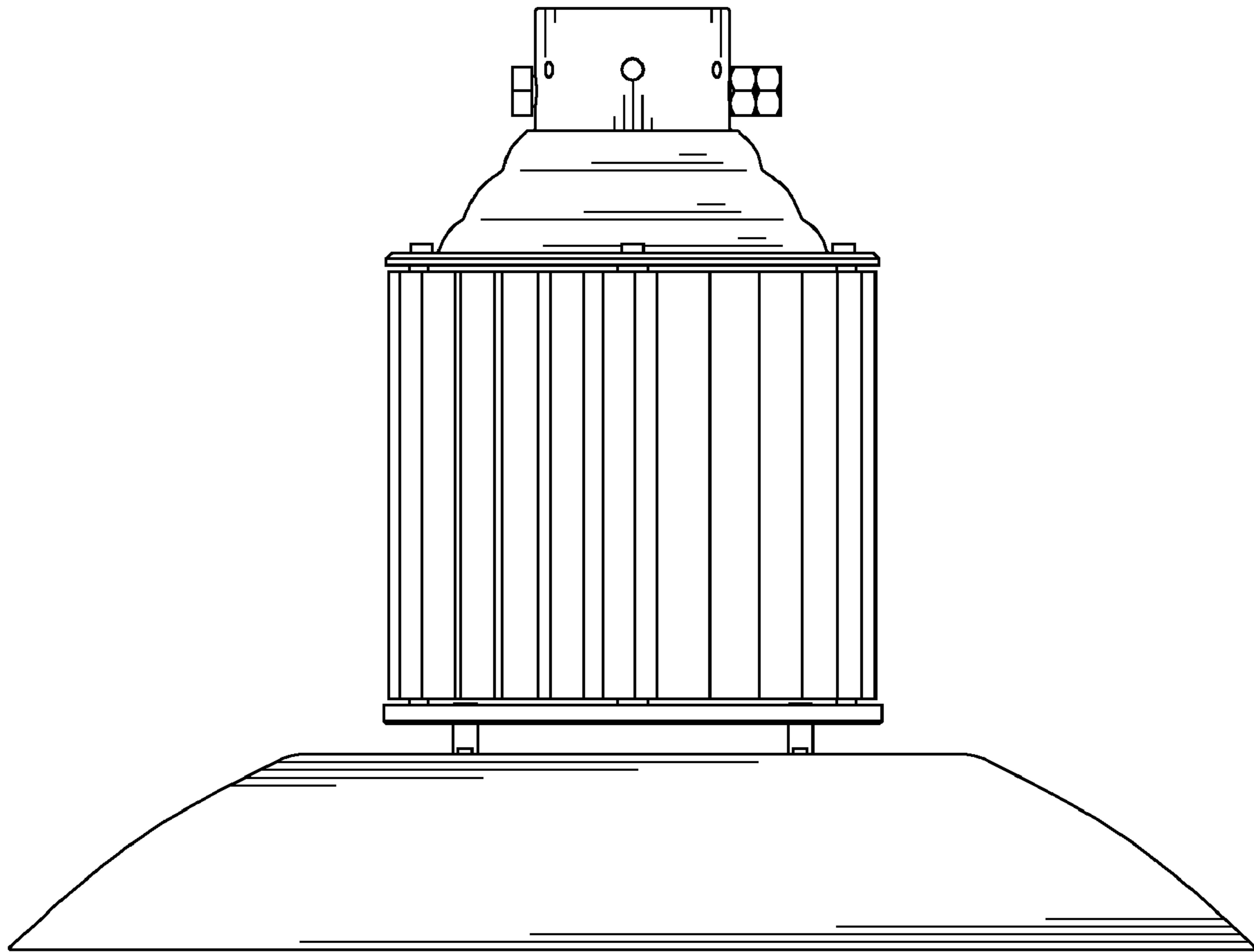


FIG. 3

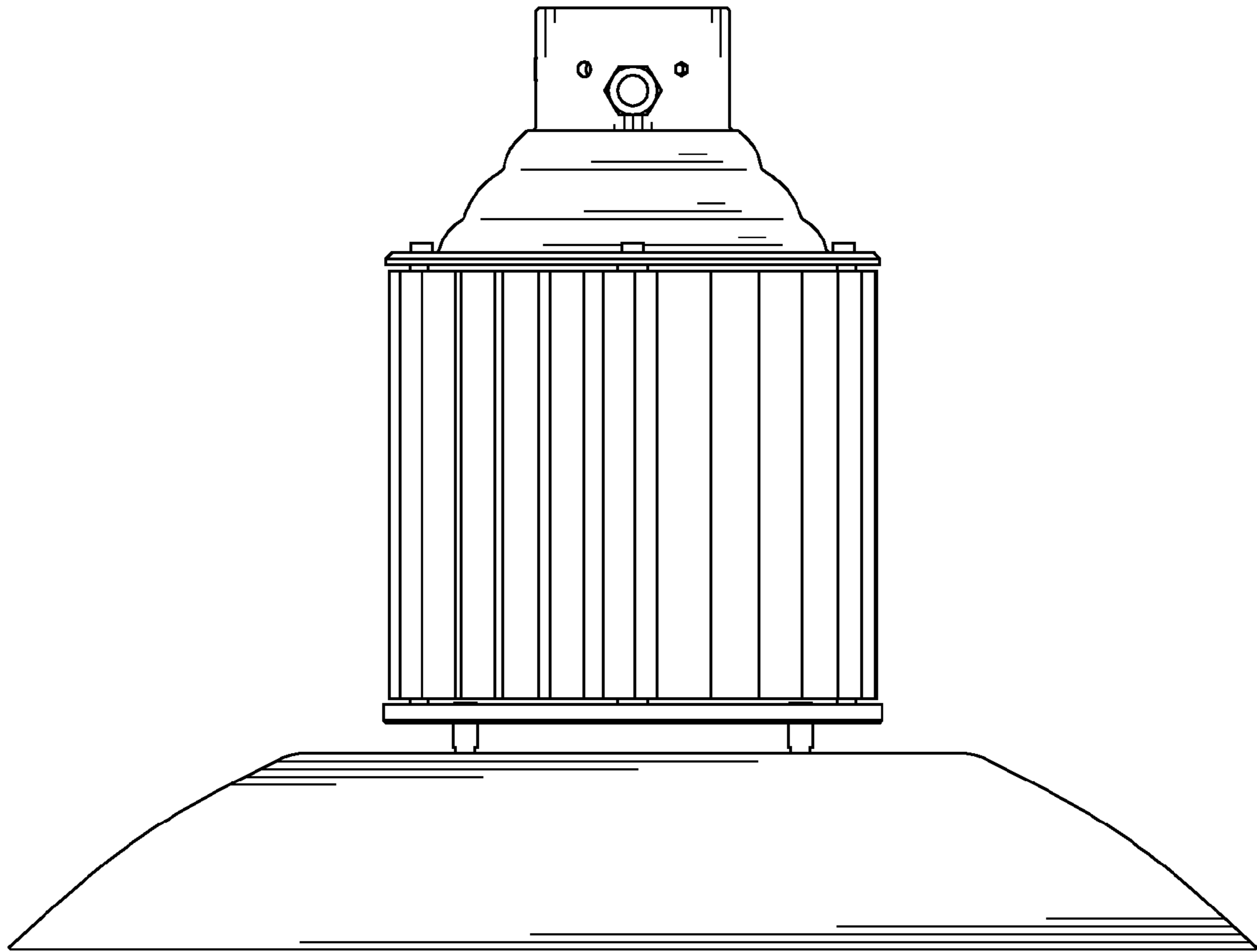


FIG. 4

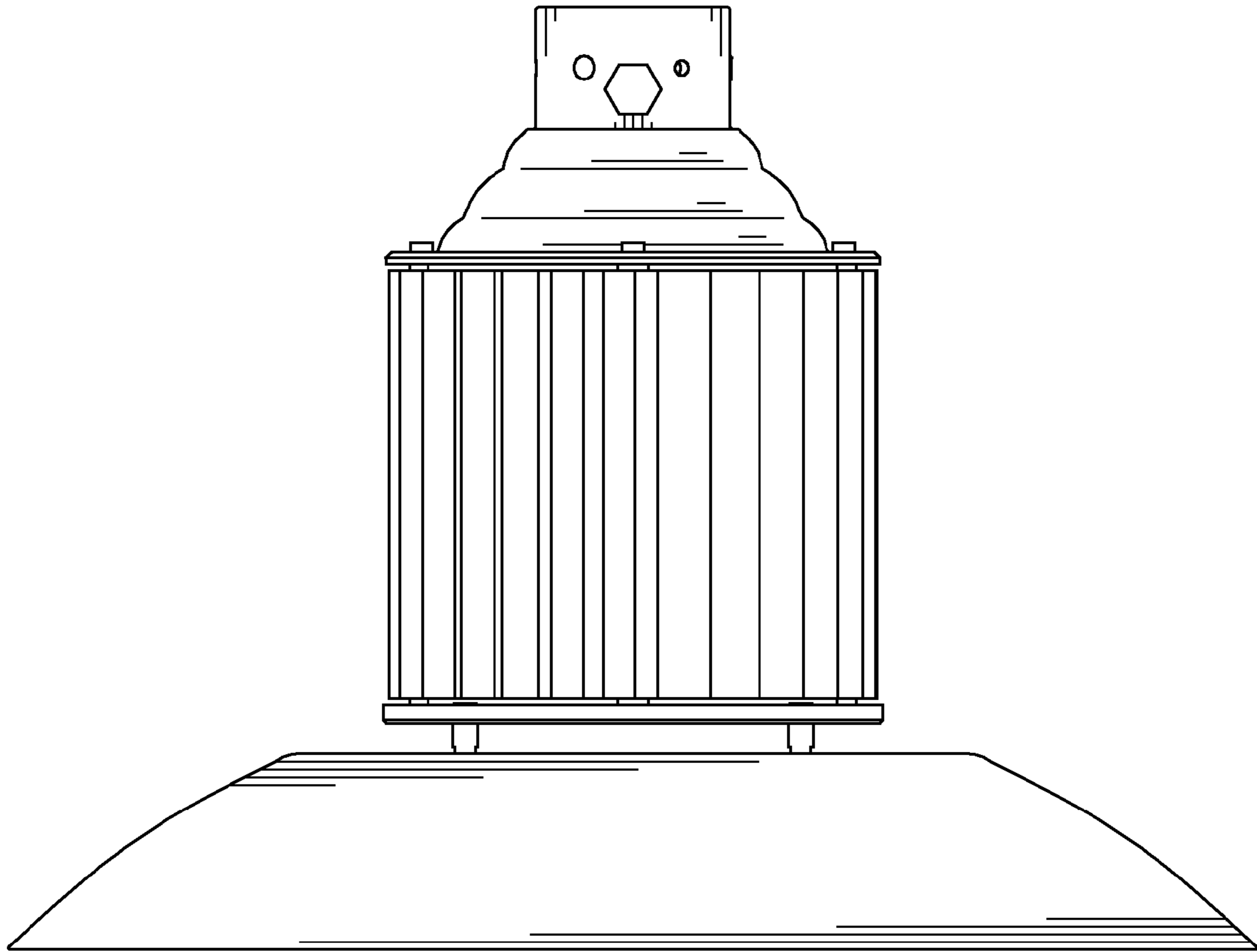


FIG. 5

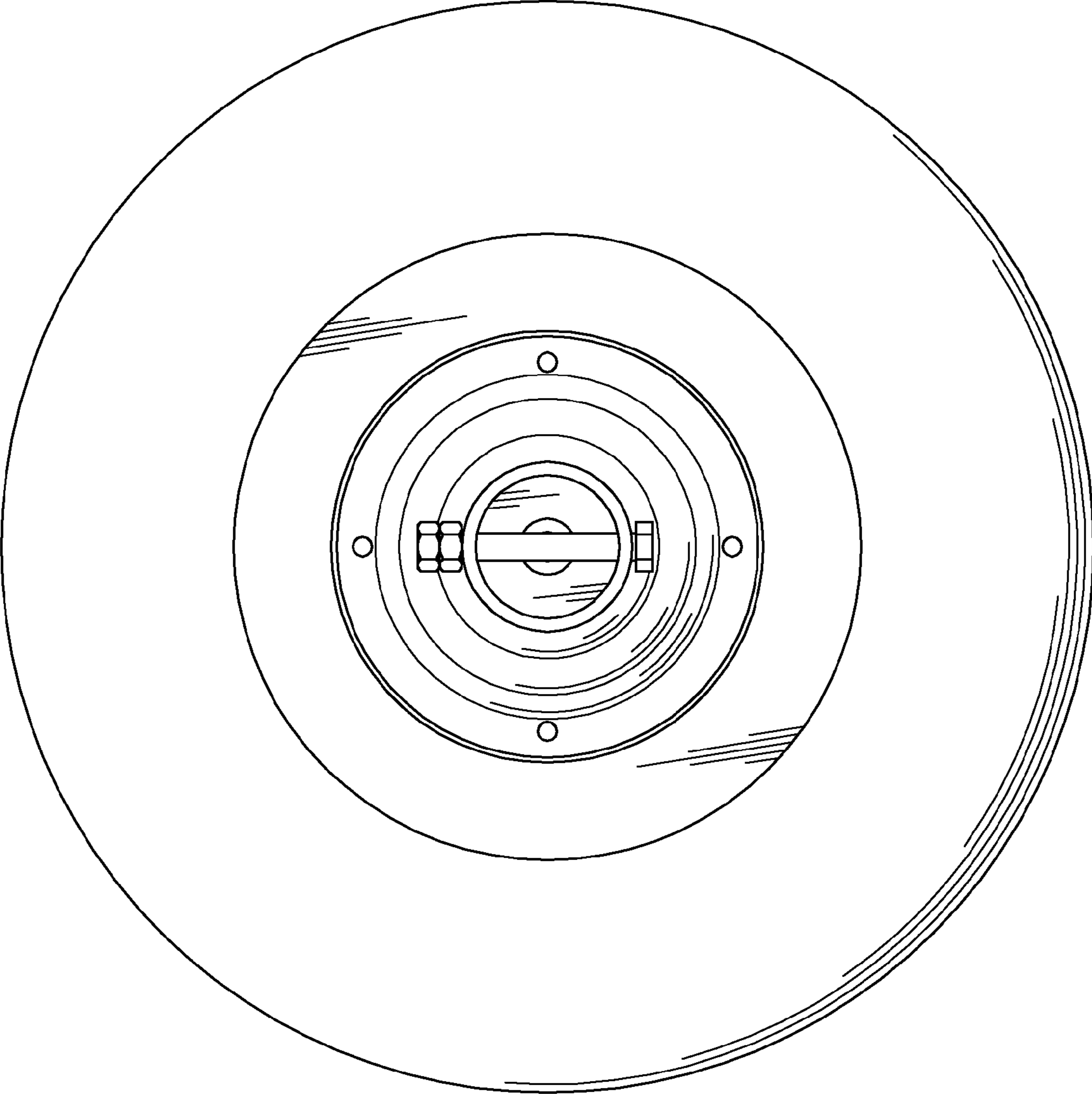


FIG. 6

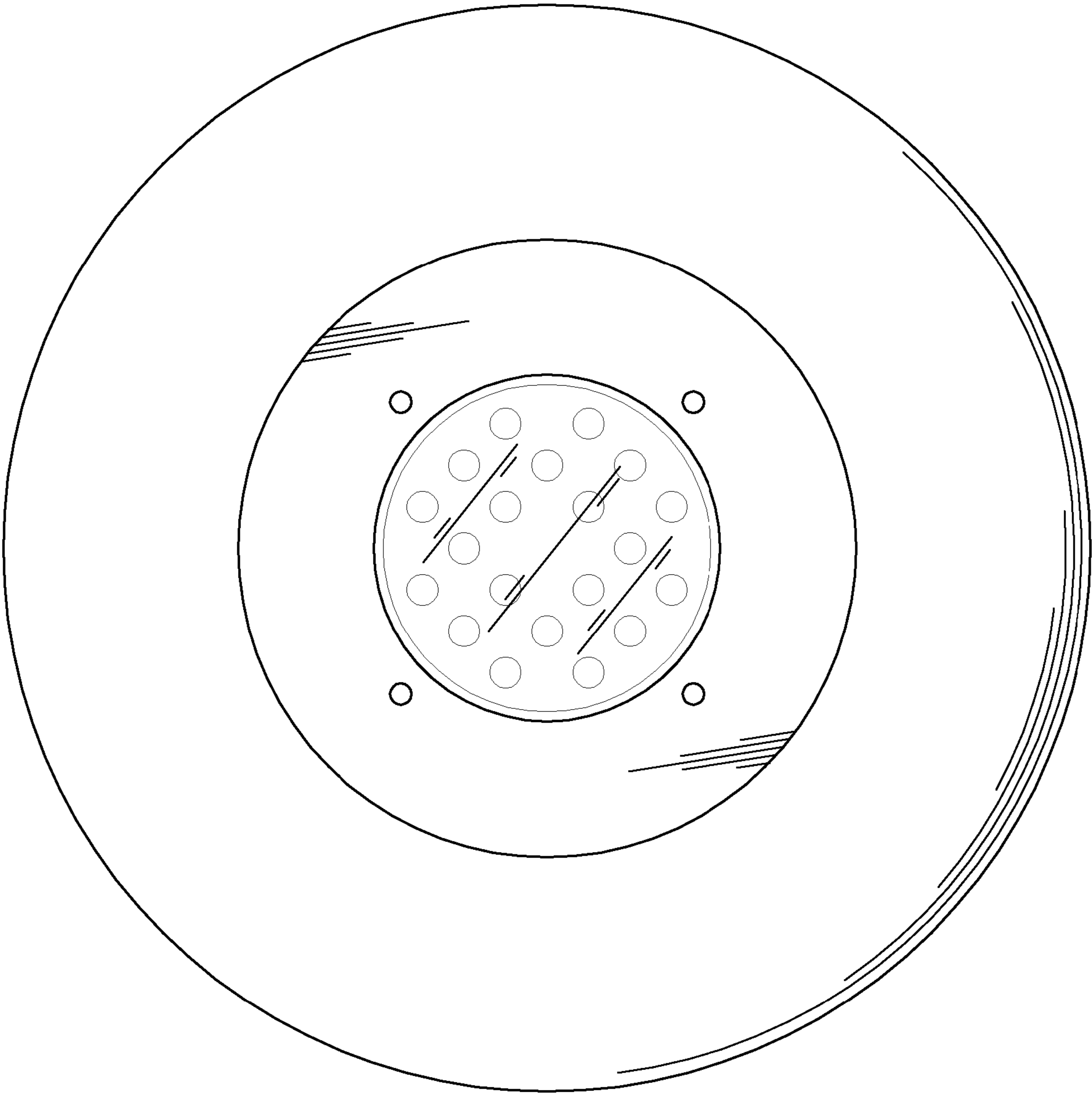


FIG. 7