



US00D627501S

(12) **United States Design Patent**
Lin et al.

(10) **Patent No.:** **US D627,501 S**
(45) **Date of Patent:** **** Nov. 16, 2010**

(54) **LED DESK LAMP**

(75) Inventors: **Hung Jie Lin**, Sinjhuang (TW); **Yu Hsin Tsai**, Sinjhuang (TW); **Meng Hsieh Chou**, Sinjhuang (TW)

(73) Assignee: **I-Chiun Precision Industry Co., Ltd.**, Taipei County (TW)

(**) Term: **14 Years**

(21) Appl. No.: **29/349,599**

(22) Filed: **Apr. 16, 2010**

(51) **LOC (9) Cl.** **26-05**

(52) **U.S. Cl.** **D26/65**

(58) **Field of Classification Search** D26/61-65,
D26/107; 362/269, 275, 285, 371, 410, 413,
362/414, 418, 419, 427

See application file for complete search history.

(56) **References Cited**

U.S. PATENT DOCUMENTS

D315,804 S	*	3/1991	Von Klier	D26/65
D382,362 S	*	8/1997	Huang	D26/65
D385,052 S	*	10/1997	Huang	D26/60
D386,273 S	*	11/1997	Yan	D26/63
D408,569 S	*	4/1999	Waldmann	D26/63
D490,926 S	*	6/2004	Katsura et al.	D26/63

D522,161 S	*	5/2006	Copeland	D26/65
D563,583 S	*	3/2008	Iai et al.	D26/65
D568,520 S	*	5/2008	Castellucci et al.	D26/65
D580,578 S	*	11/2008	Chien	D26/63
D606,693 S	*	12/2009	Waldmann	D26/65
D617,932 S	*	6/2010	Chan	D26/63
2006/0050519 A1	*	3/2006	Lin	362/413

* cited by examiner

Primary Examiner—Clare E Heflin

(74) *Attorney, Agent, or Firm*—Pro-Techtor Int'l Services; Ralph Willgohs

(57) **CLAIM**

The ornamental design for a LED desk lamp, as shown.

DESCRIPTION

FIG. 1 is a perspective view of a LED desk lamp showing our new design;

FIG. 2 is a top plan view thereof;

FIG. 3 is a bottom plan view thereof; and

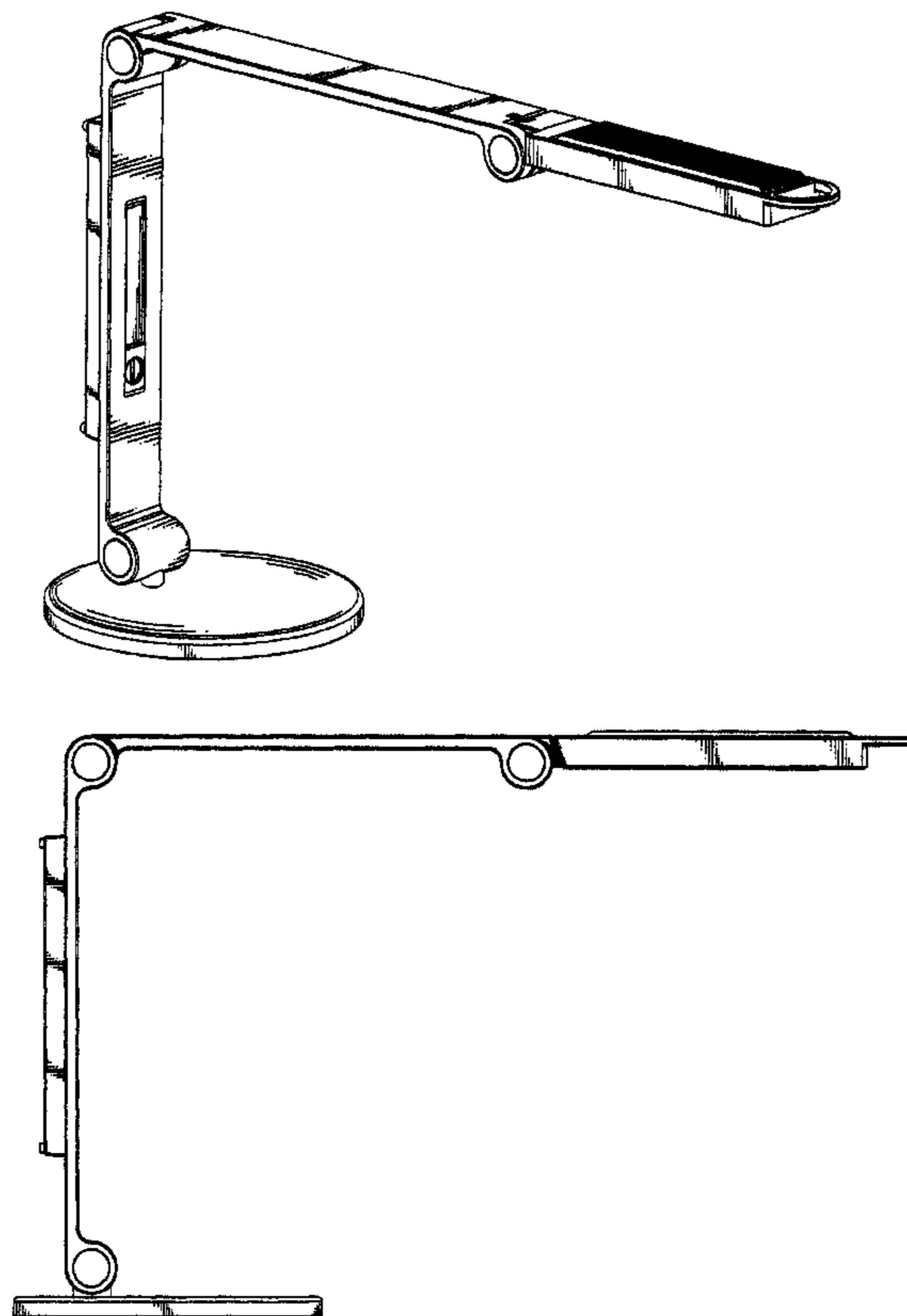
FIG. 4 is a left side elevational view thereof;

FIG. 5 is a right side elevational view thereof;

FIG. 6 is a front elevational view thereof; and,

FIG. 7 is a rear elevational view thereof.

1 Claim, 7 Drawing Sheets



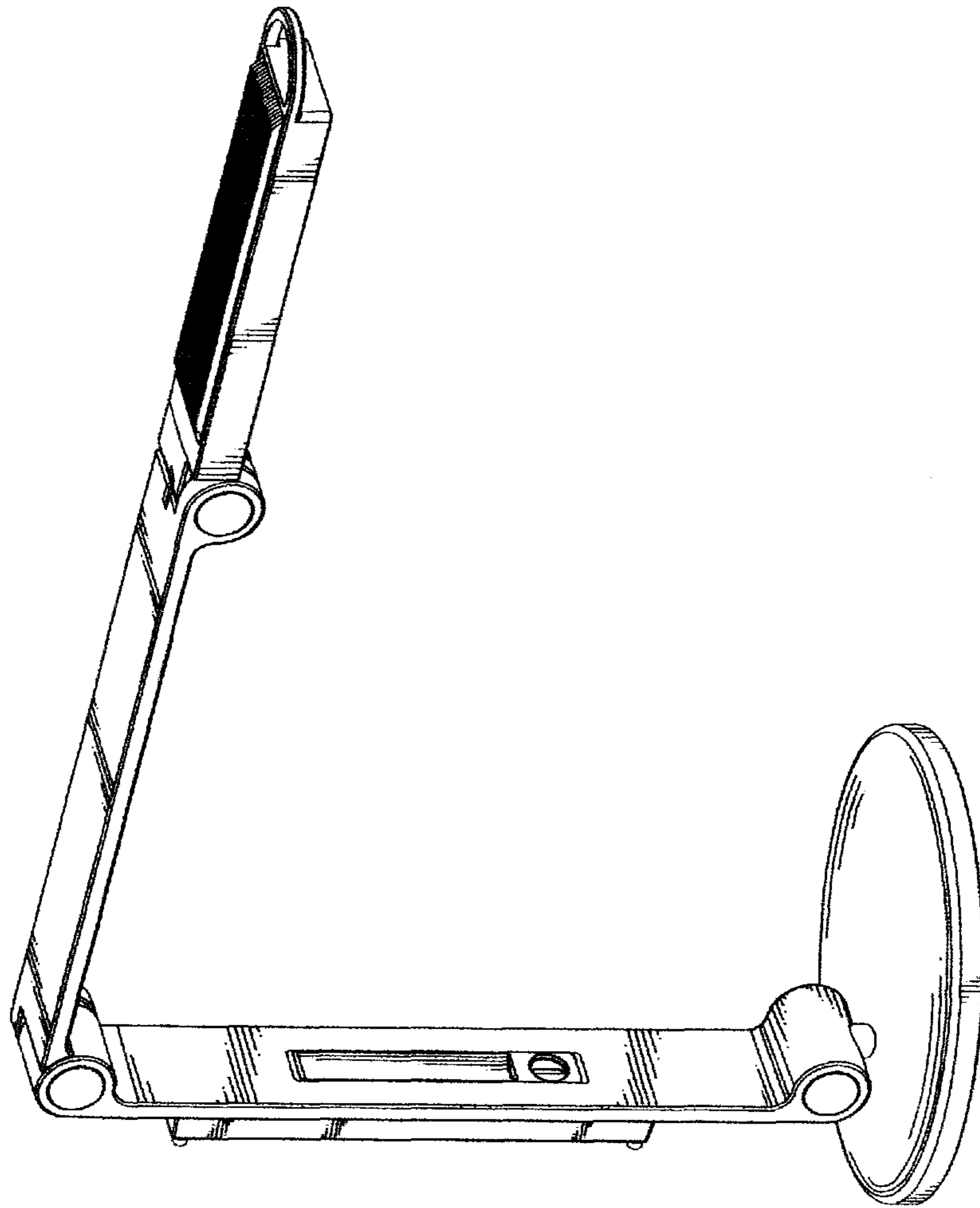


FIG. 1

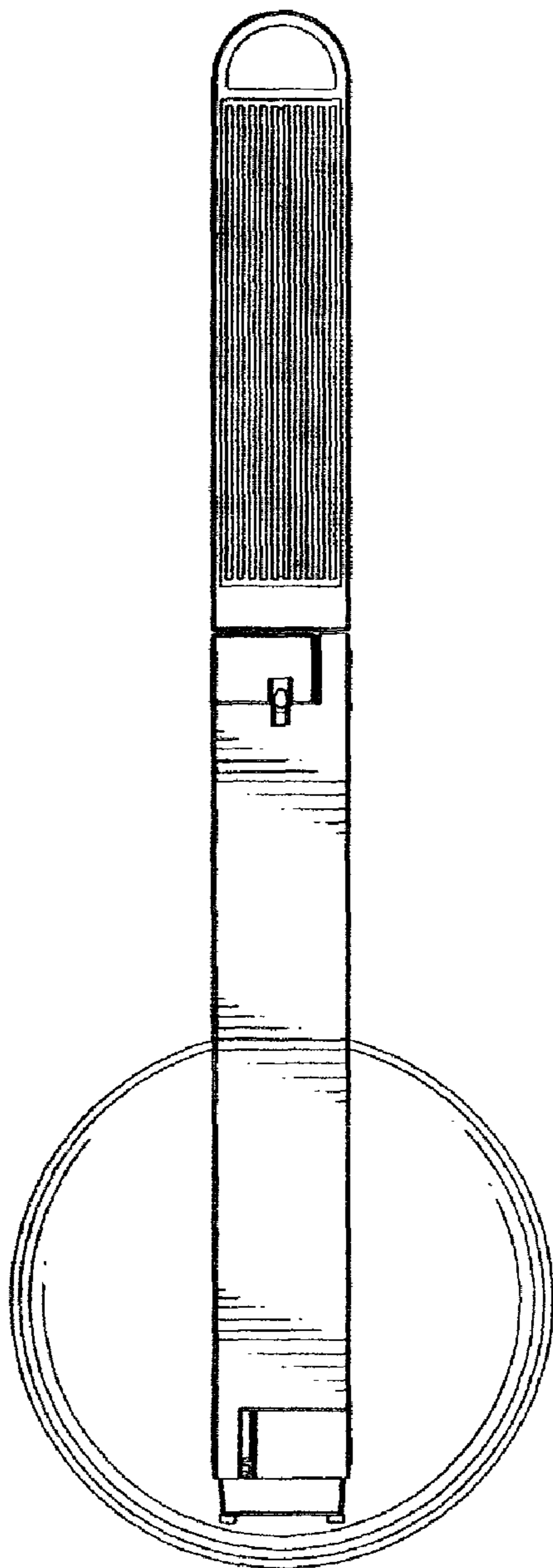


FIG. 2

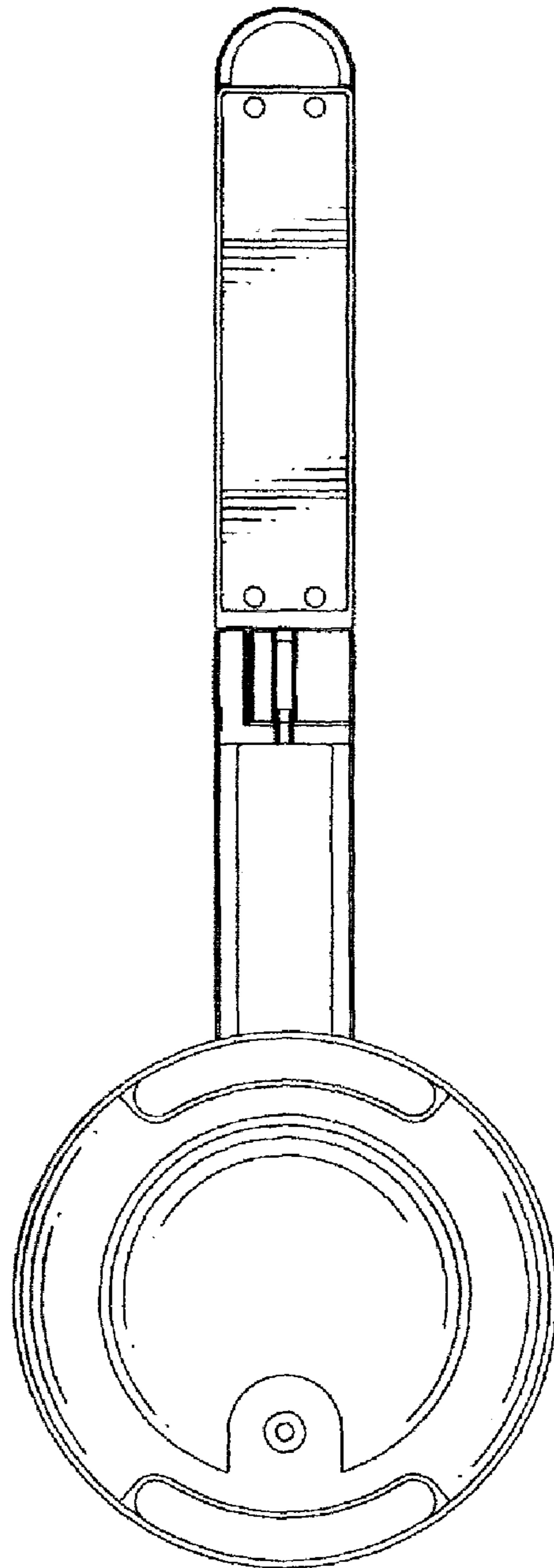


FIG. 3

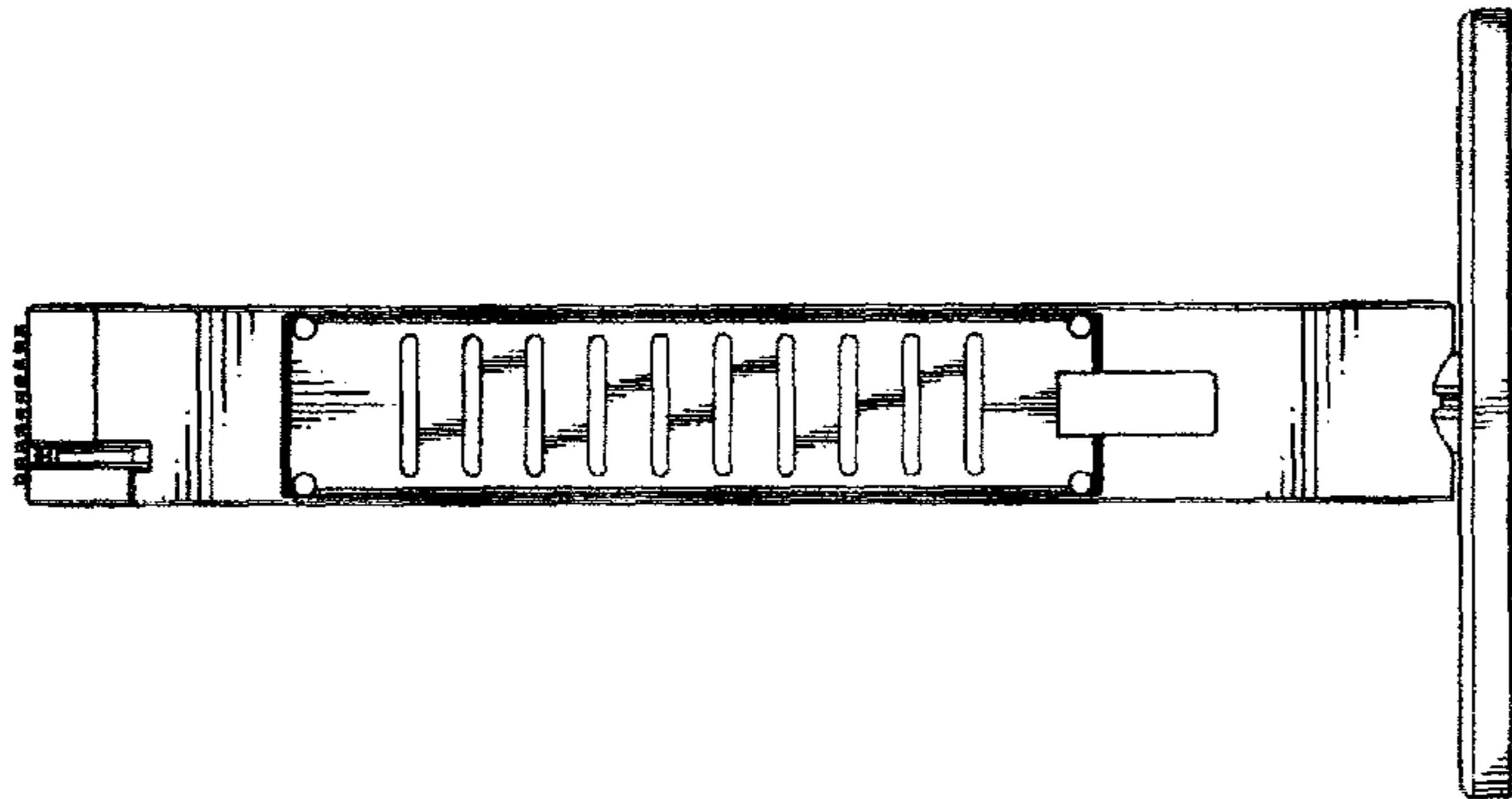


FIG. 4

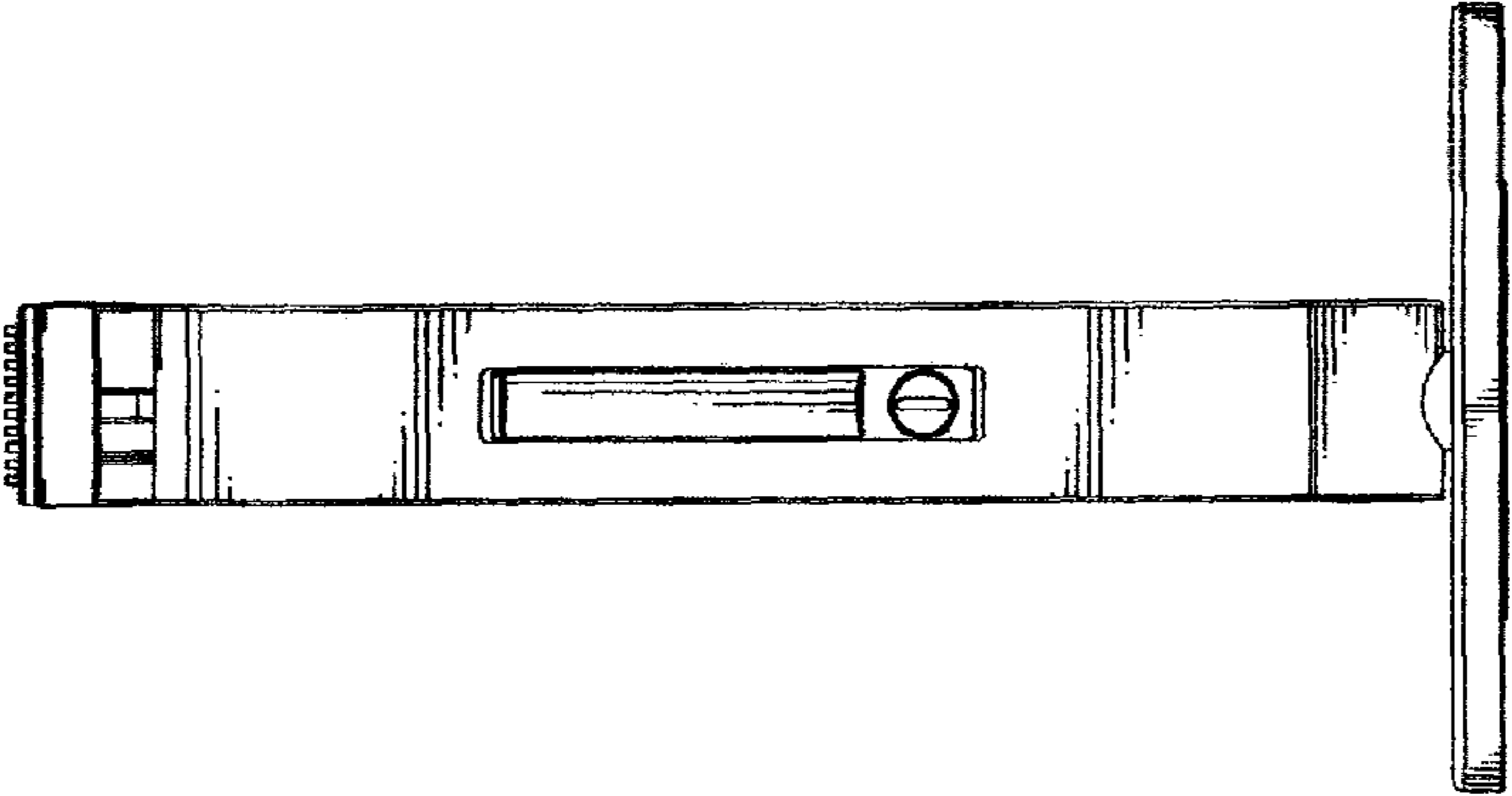


FIG. 5

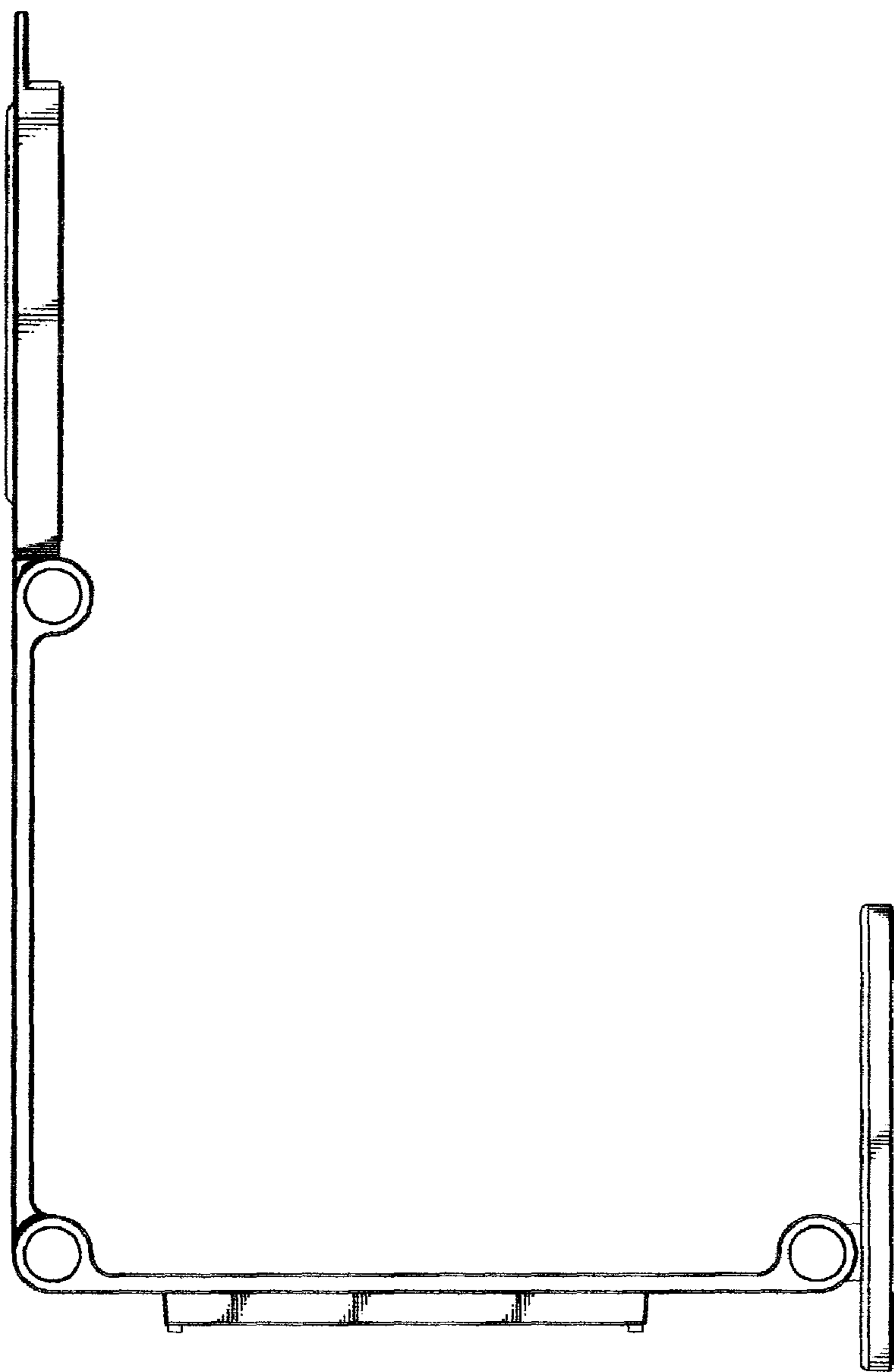


FIG. 6

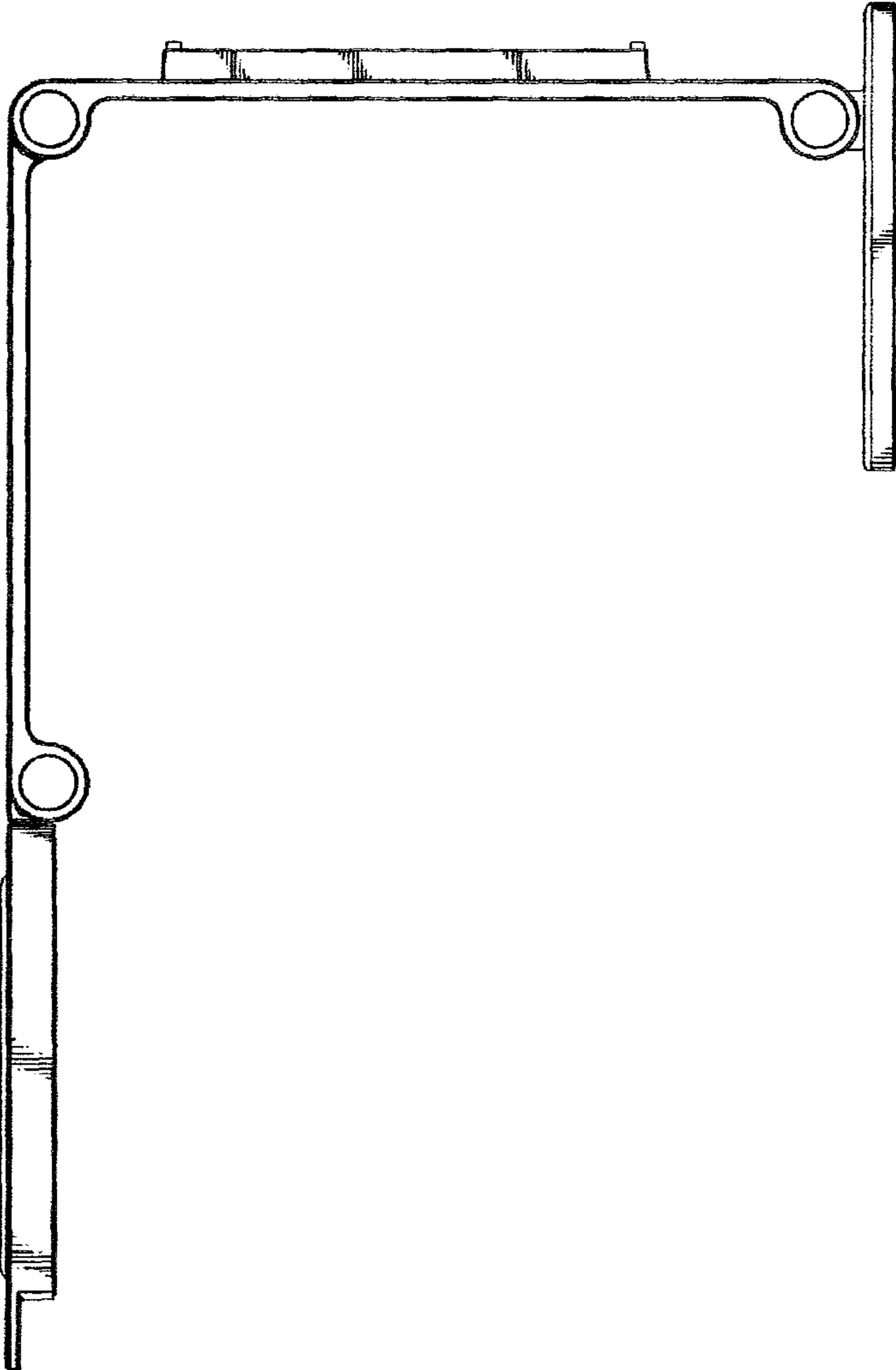


FIG. 7