



(12) **United States Design Patent**
Chipperfield

(10) **Patent No.:** **US D627,498 S**
(45) **Date of Patent:** **** *Nov. 16, 2010**

(54) **LIGHT**

(75) Inventor: **David Chipperfield**, London (GB)

(73) Assignee: **Zumtobell Lighting GmbH & Co. KG**,
Lemgo (DE)

(*) Notice: This patent is subject to a terminal disclaimer.

(**) Term: **14 Years**

(21) Appl. No.: **29/320,927**

(22) Filed: **Jul. 8, 2008**

(30) **Foreign Application Priority Data**

Jan. 11, 2008 (EM) 000858204

(51) **LOC (9) Cl.** **26-05**

(52) **U.S. Cl.** **D26/63**

(58) **Field of Classification Search** D26/60,
D26/61, 62, 63, 64, 65, 66, 72, 81, 88, 89,
D26/90, 91, 154, 24, 44, 77, 119, 121, 152,
D26/75, 85; 362/145, 147, 148, 150, 218,
362/220, 223, 648, 227, 238, 239, 249, 250,
362/372, 418, 430, 269, 270, 271, 272, 273,
362/274, 277, 278, 282, 283, 285, 287, 288,
362/290, 309, 427

See application file for complete search history.

(56) **References Cited**

U.S. PATENT DOCUMENTS

D254,094 S * 1/1980 Jaksich D26/63
D300,864 S * 4/1989 Titmarsh D26/24
D316,156 S * 4/1991 Gecchelin D26/63
5,072,216 A * 12/1991 Grange 340/825.52
D353,474 S * 12/1994 Shyan D26/63

D407,836 S * 4/1999 Leen D26/63
D417,301 S * 11/1999 Hein D26/63
D456,938 S * 5/2002 Wardenburg D26/118
D536,119 S * 1/2007 Mier-Langner et al. D26/63
D541,456 S * 4/2007 Kosche D26/63
D561,369 S * 2/2008 Sandell D26/63
D566,873 S * 4/2008 Grundl et al. D26/63
2008/0158894 A1 * 7/2008 Dixon et al. 362/418

* cited by examiner

Primary Examiner—Jennifer Rivard

Assistant Examiner—Angela J Lee

(74) *Attorney, Agent, or Firm*—Marshall, Gerstein & Borun
LLP; Richard M. LaBarge

(57) **CLAIM**

The ornamental design for a light, as shown and described.

DESCRIPTION

FIG. 1 is a view of one side of a light that has the design.

FIG. 2 is a view of the opposite side of the light.

FIG. 3 is a view of the side of the light seen on the top side of
FIG. 1. The opposite side view is a mirror image below the
mount.

FIG. 4 is a view of the front of the light.

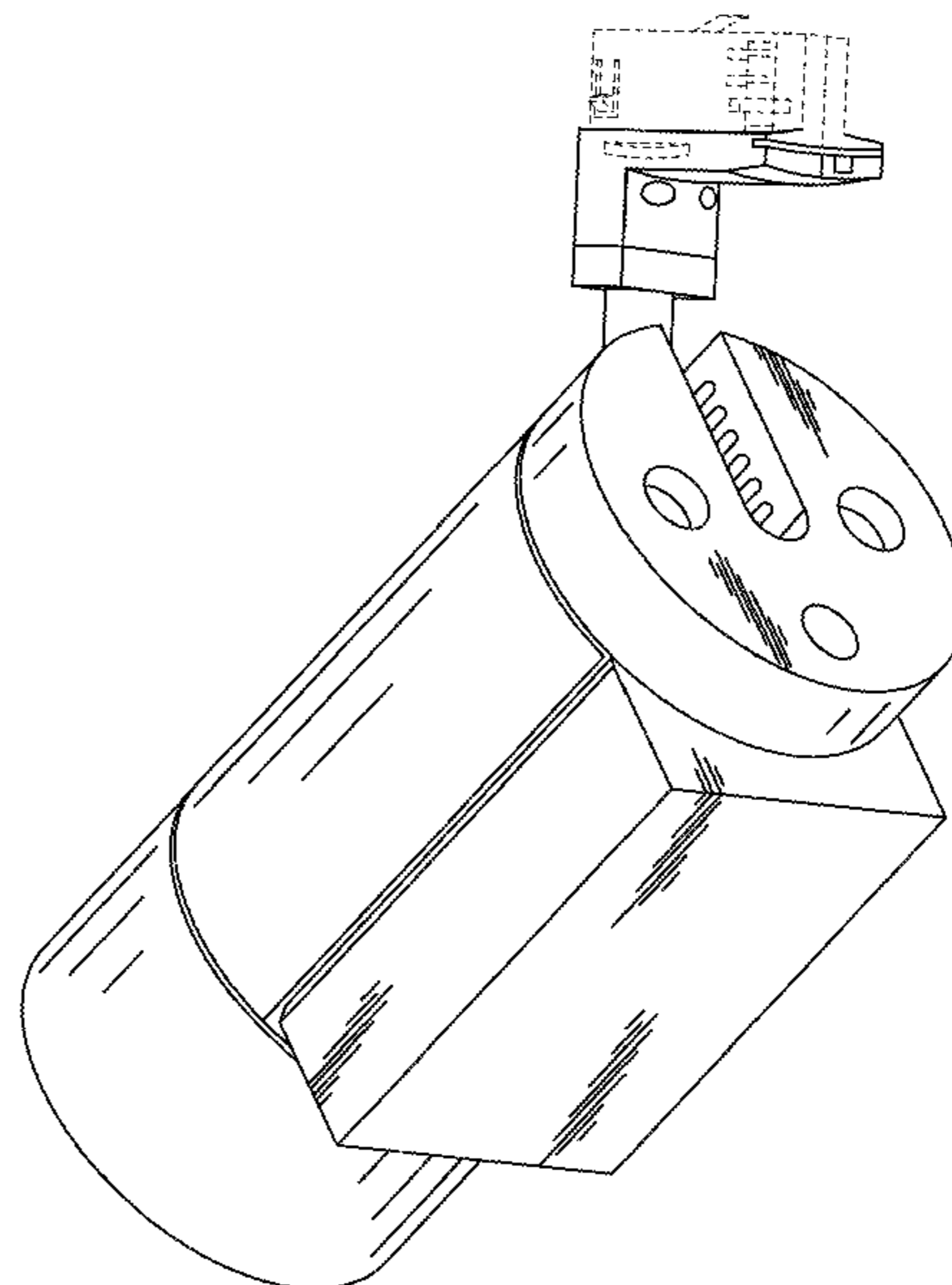
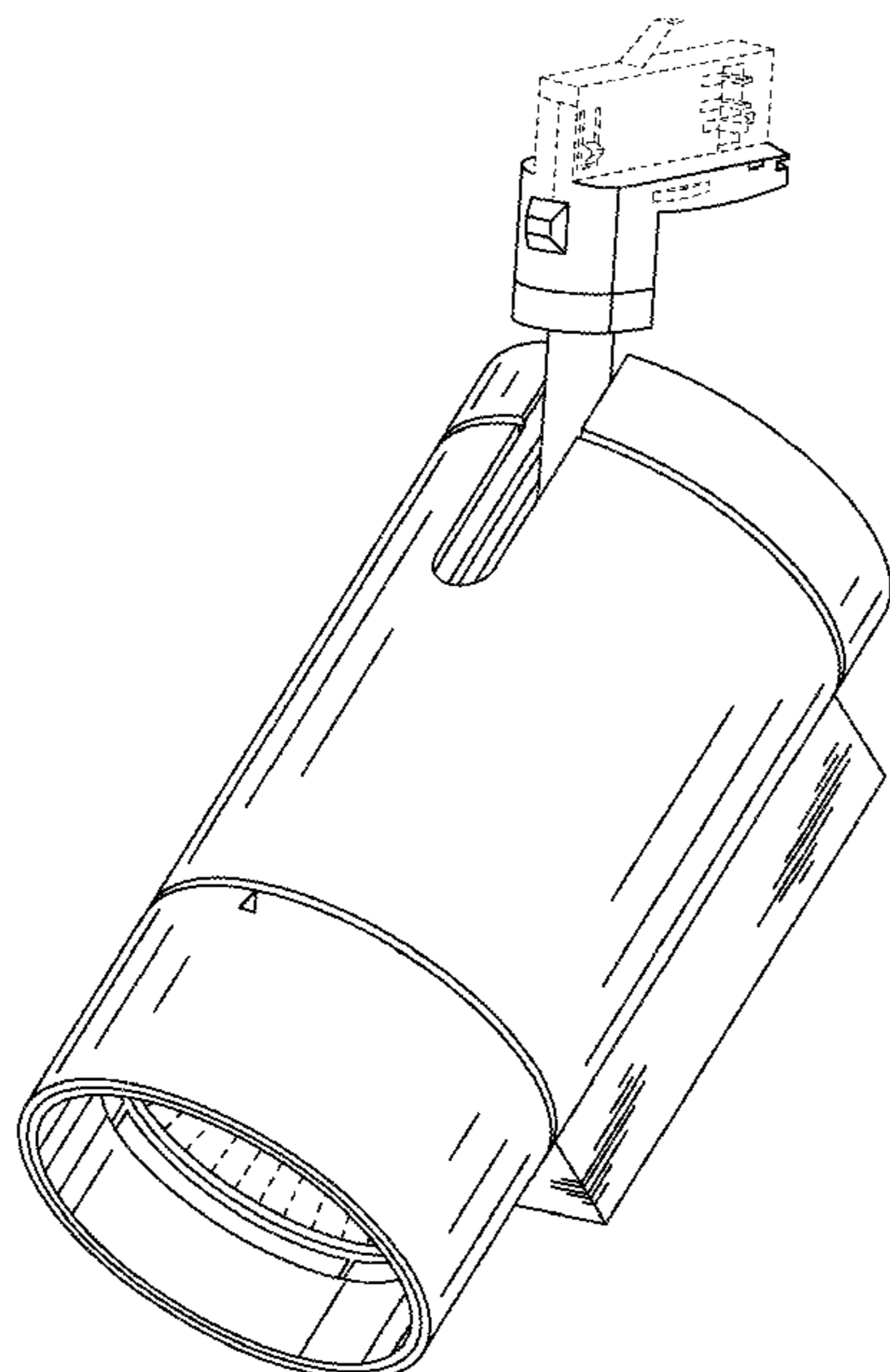
FIG. 5 is a view of the back of the light.

FIG. 6 is a perspective view of the light from the front and
above, with the front of the light shifted downwardly from the
position seen in FIG. 1; and,

FIG. 7 is a perspective view of the light from behind, with the
front of the light again shifted downwardly.

The broken line showing of portions of the light is for the
purpose of illustrating portions of the light and forms no part
of the claimed design.

1 Claim, 5 Drawing Sheets



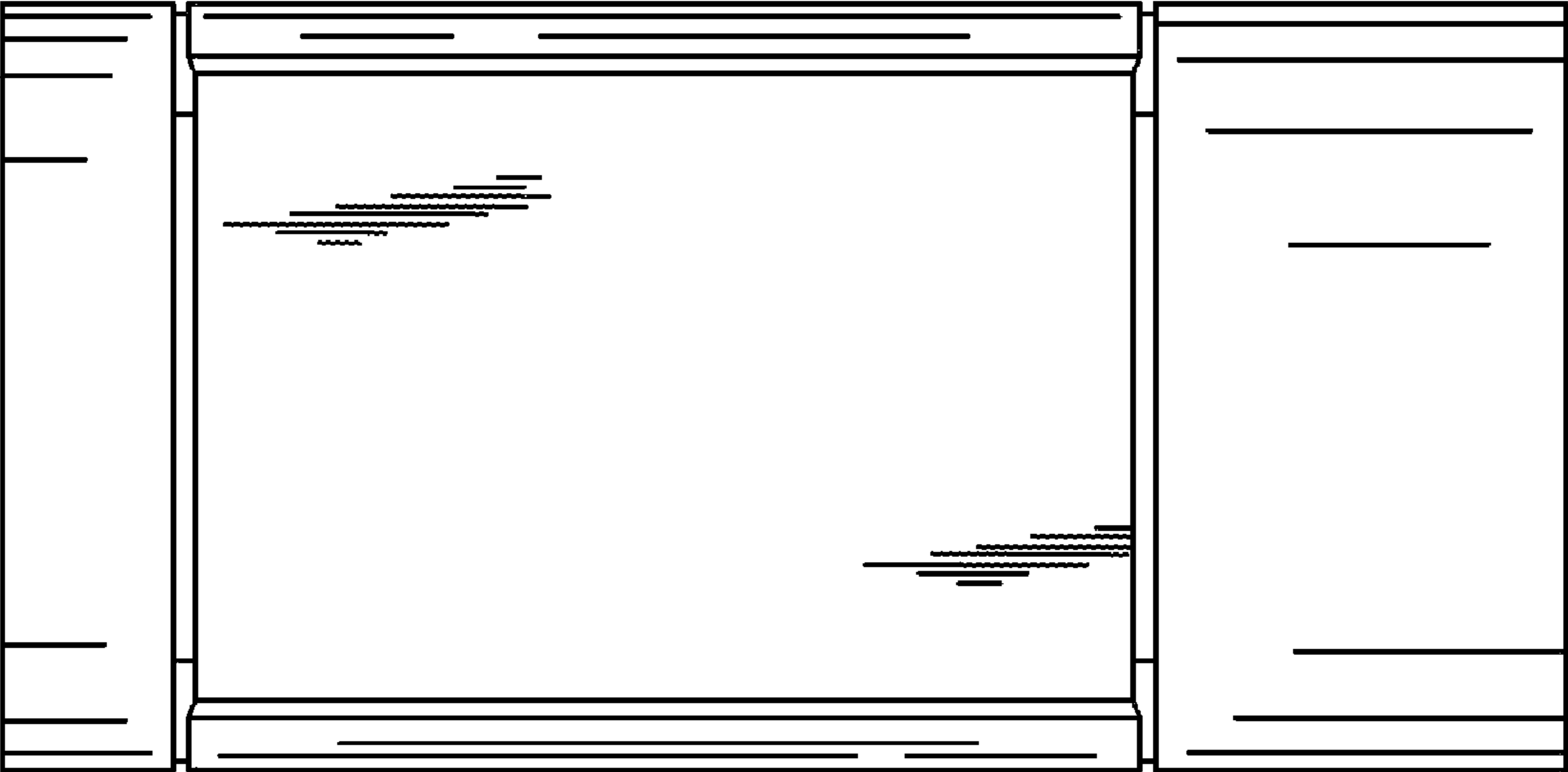


FIG. 1

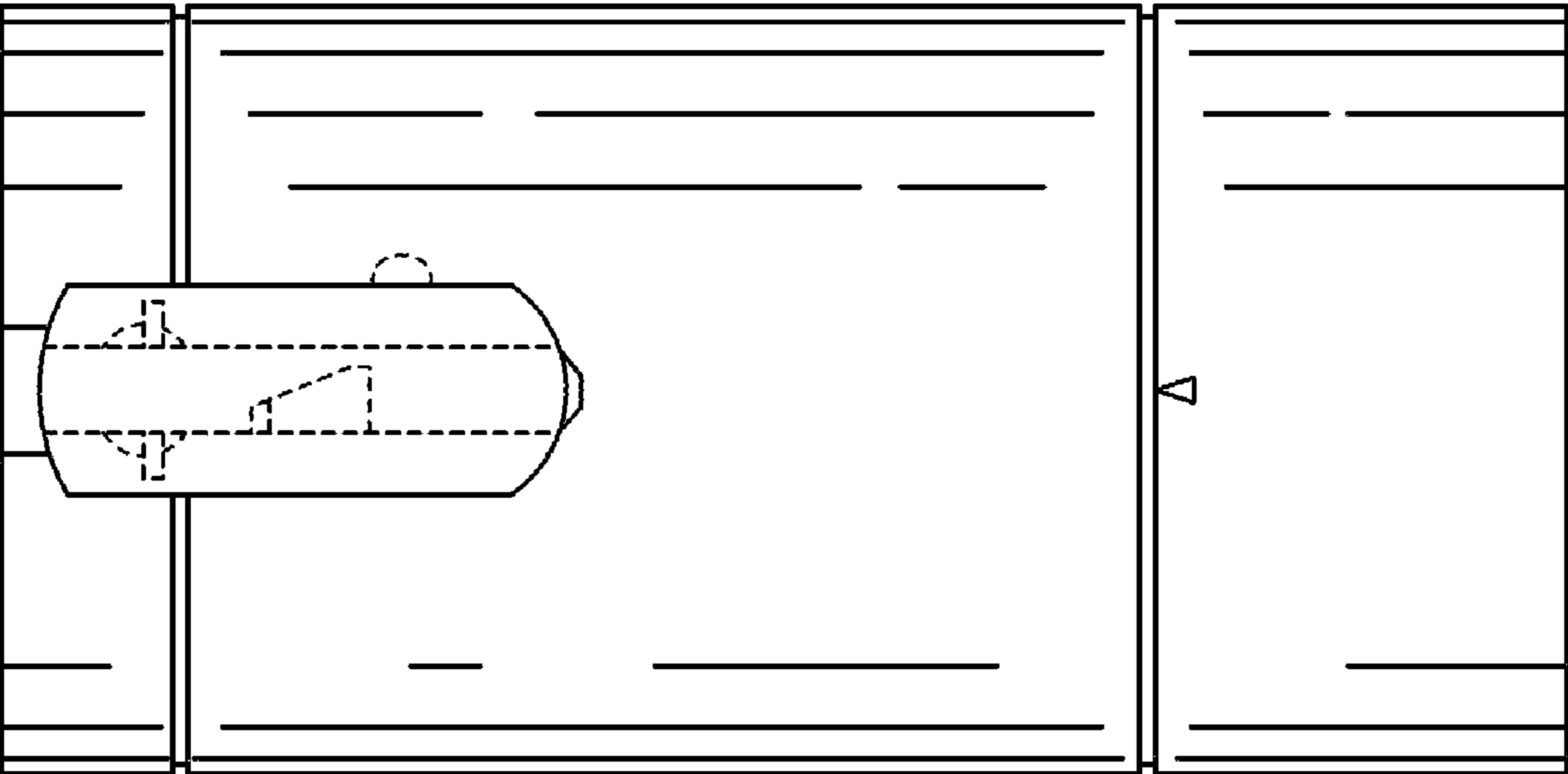


FIG. 2

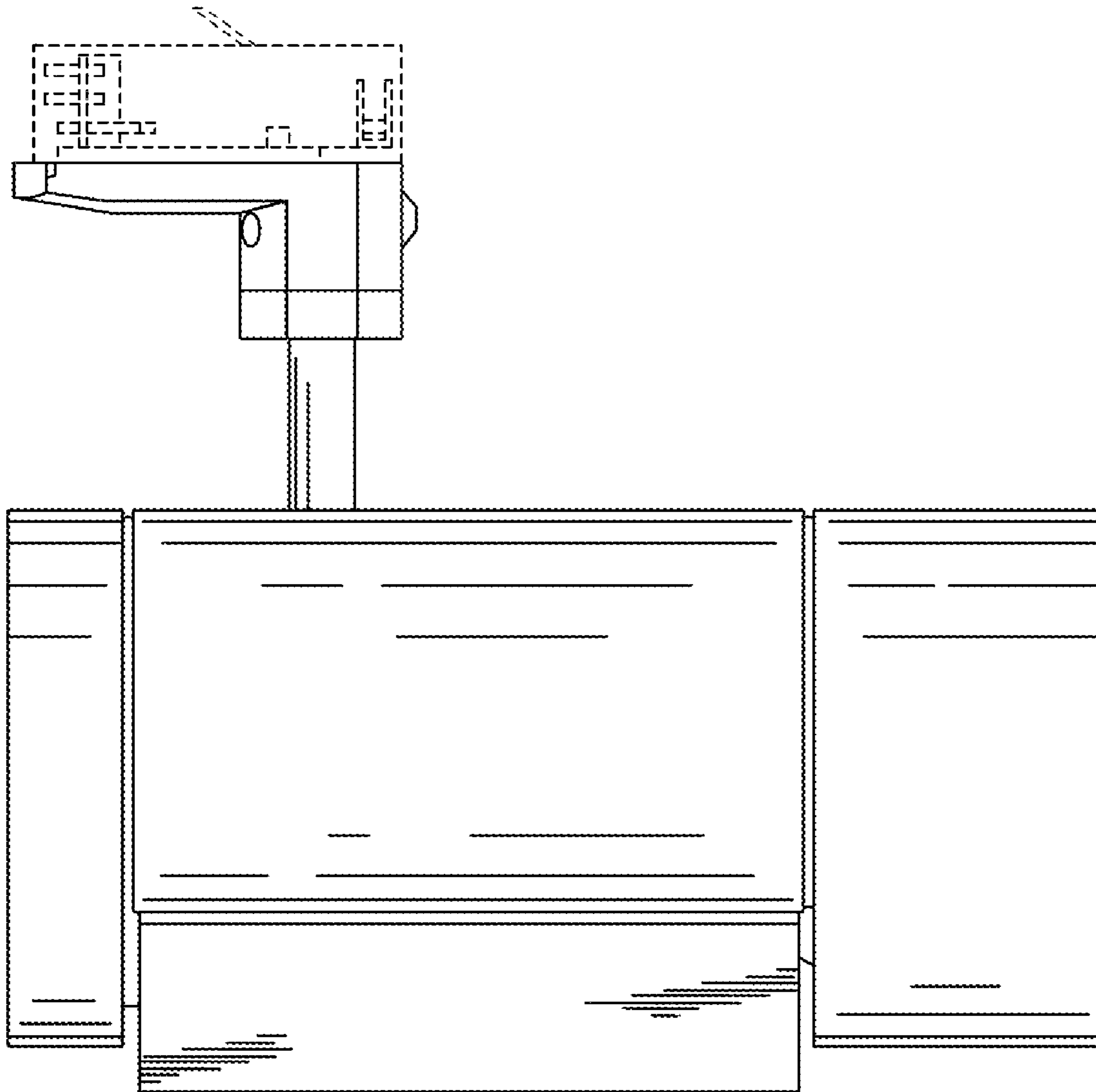


FIG. 3

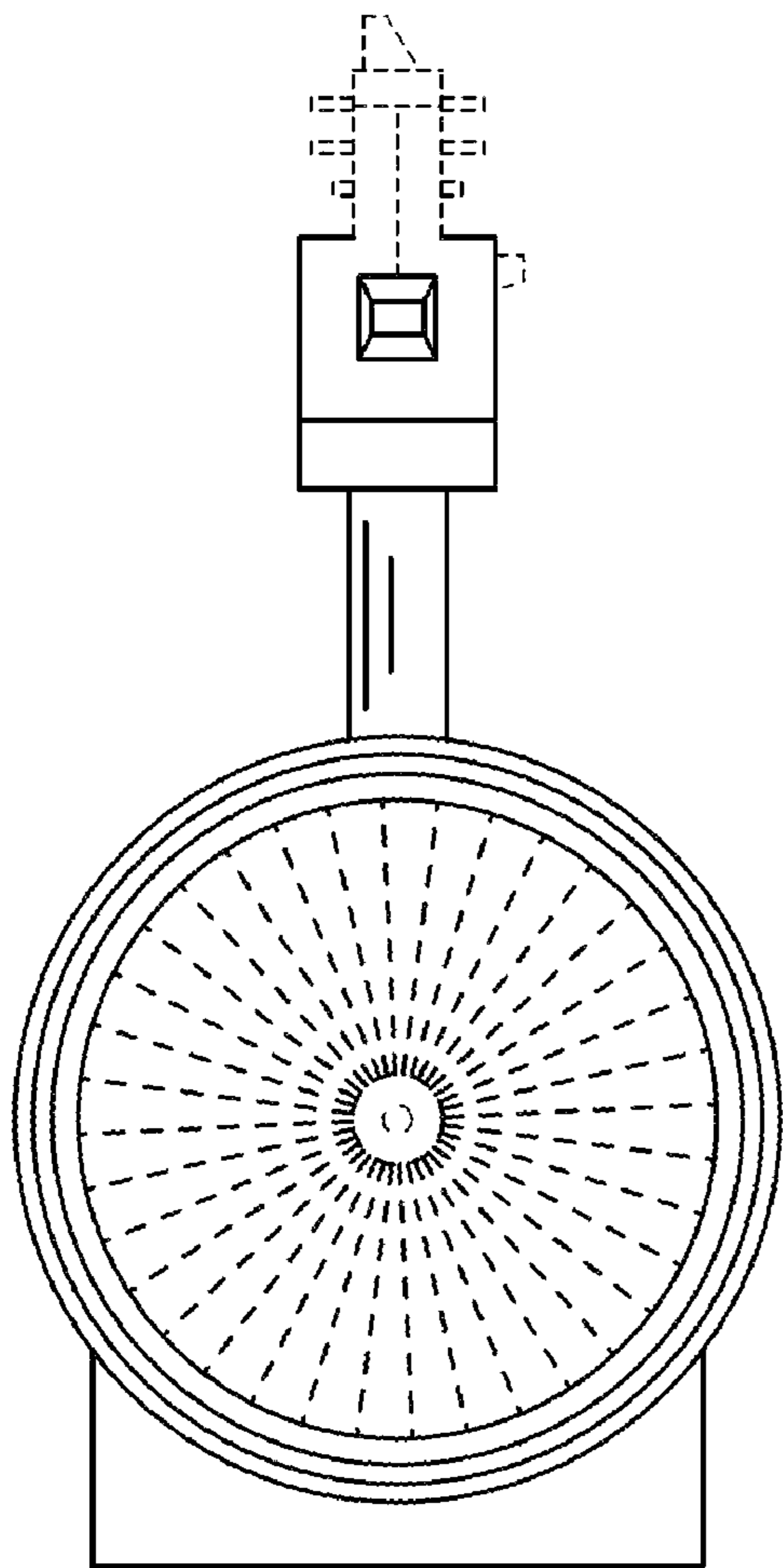


FIG. 4

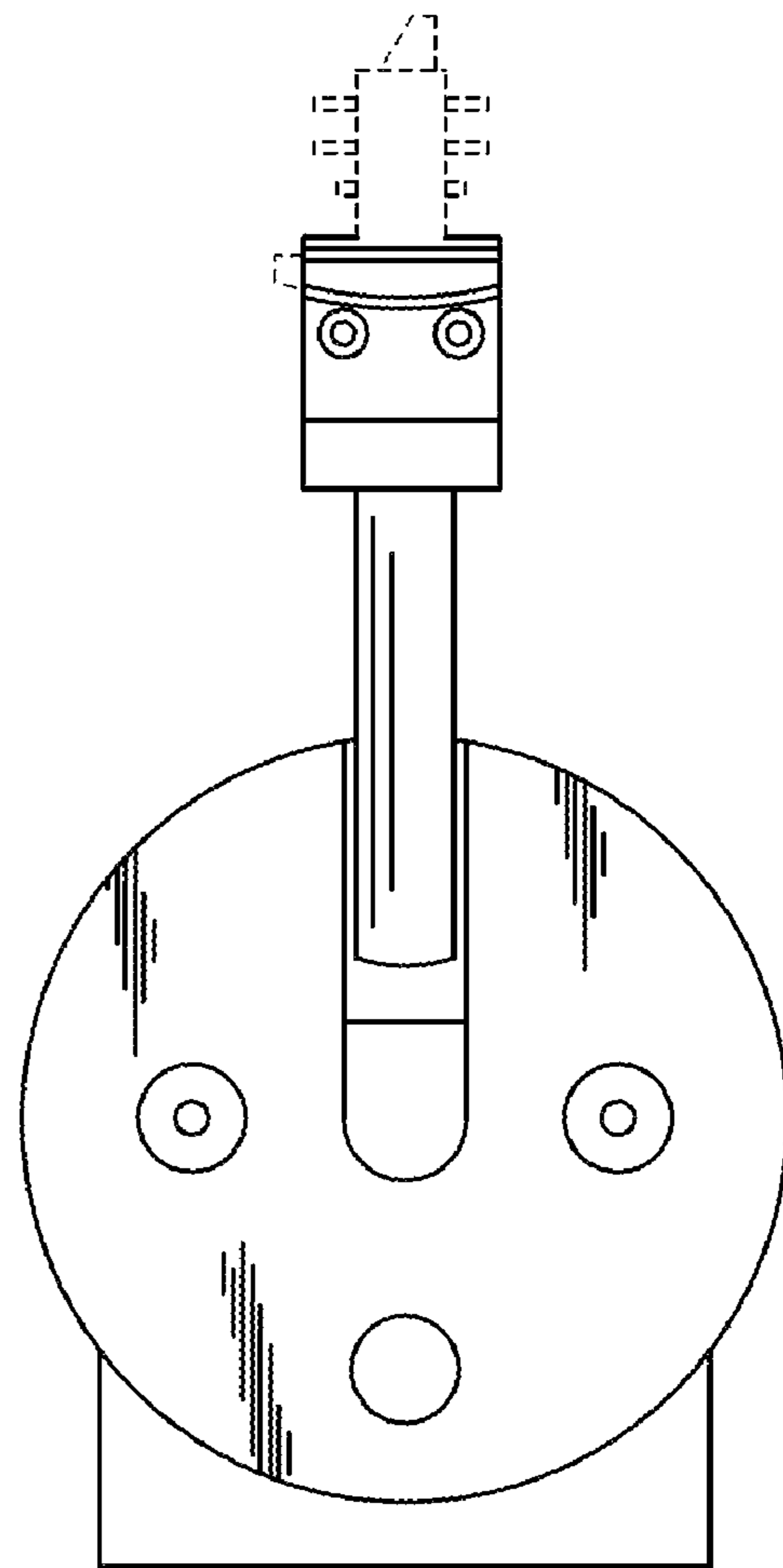


FIG. 5

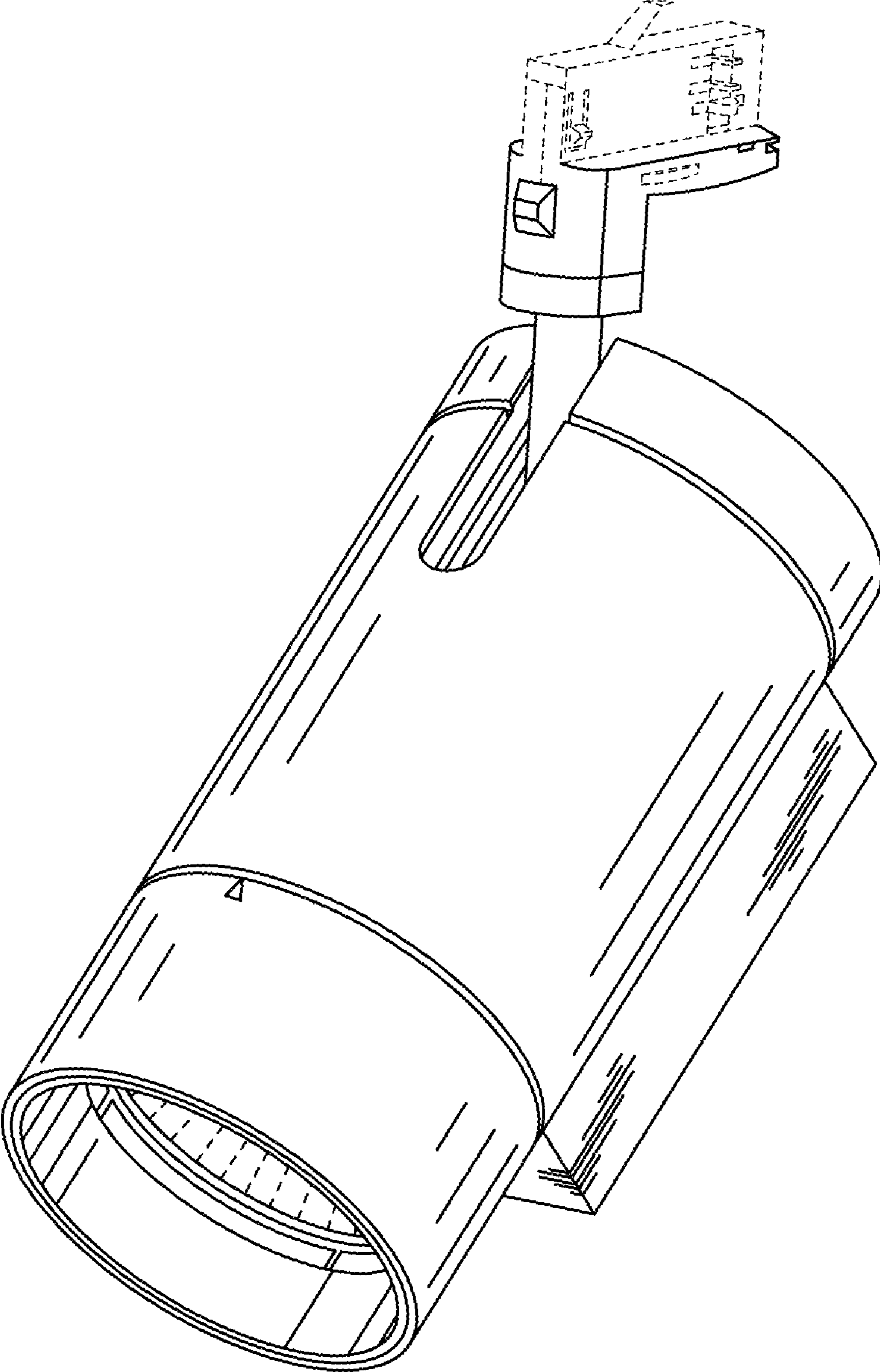


FIG. 6

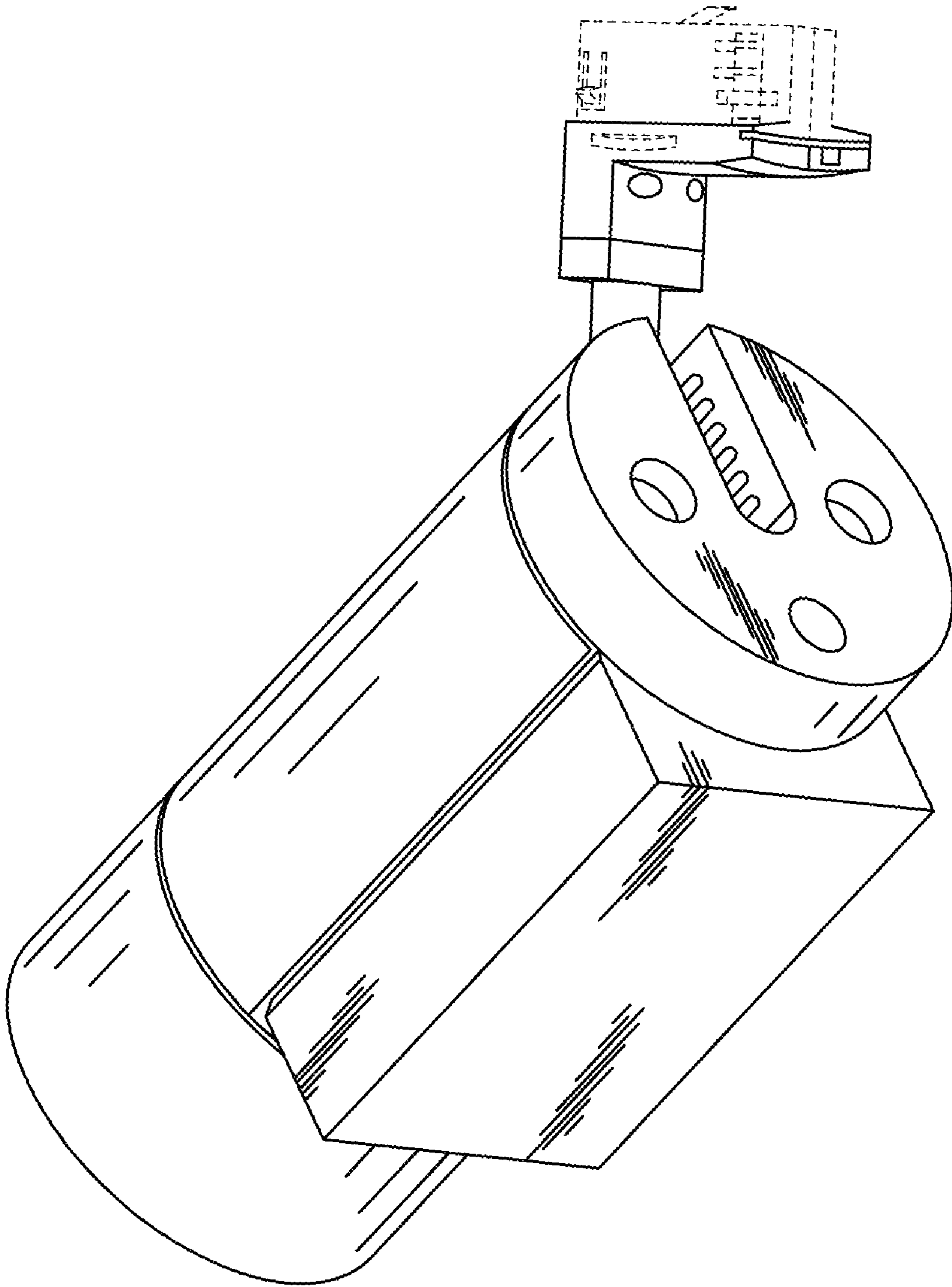


FIG. 7