



US00D627496S

(12) **United States Design Patent**  
**Feinbloom et al.**

(10) **Patent No.:** **US D627,496 S**

(45) **Date of Patent:** **\*\* Nov. 16, 2010**

(54) **HEADLAMP**

(75) Inventors: **Richard E. Feinbloom**, New York, NY (US); **Kenneth Braganca**, Floral Park, NY (US); **Russel Hayes**, Ronkonkoma, NY (US); **Matt Kenyon**, Nesconset, NY (US); **Peter Yan**, Ronkonkoma, NY (US)

(73) Assignee: **Designs For Vision, Inc.**, Ronkonkoma, NY (US)

(\*\*) Term: **14 Years**

(21) Appl. No.: **29/285,541**

(22) Filed: **Mar. 30, 2007**

(51) **LOC (9) Cl.** ..... **26-06**

(52) **U.S. Cl.** ..... **D26/28**

(58) **Field of Classification Search** ..... D26/28-36;  
362/459-468, 475-478, 485-487

See application file for complete search history.

(56) **References Cited**

**U.S. PATENT DOCUMENTS**

D595,001 S \* 6/2009 Gorczyca et al. .... D26/28  
D598,144 S \* 8/2009 Ko ..... D26/28

D601,727 S \* 10/2009 Huang ..... D26/28

D605,789 S \* 12/2009 Ko ..... D26/28

D606,675 S \* 12/2009 Chinaglia ..... D26/28

\* cited by examiner

*Primary Examiner*—Marcus A Jackson

(74) *Attorney, Agent, or Firm*—Plevy & Keene LLP

(57) **CLAIM**

The ornamental design for a headlamp, as shown and described.

**DESCRIPTION**

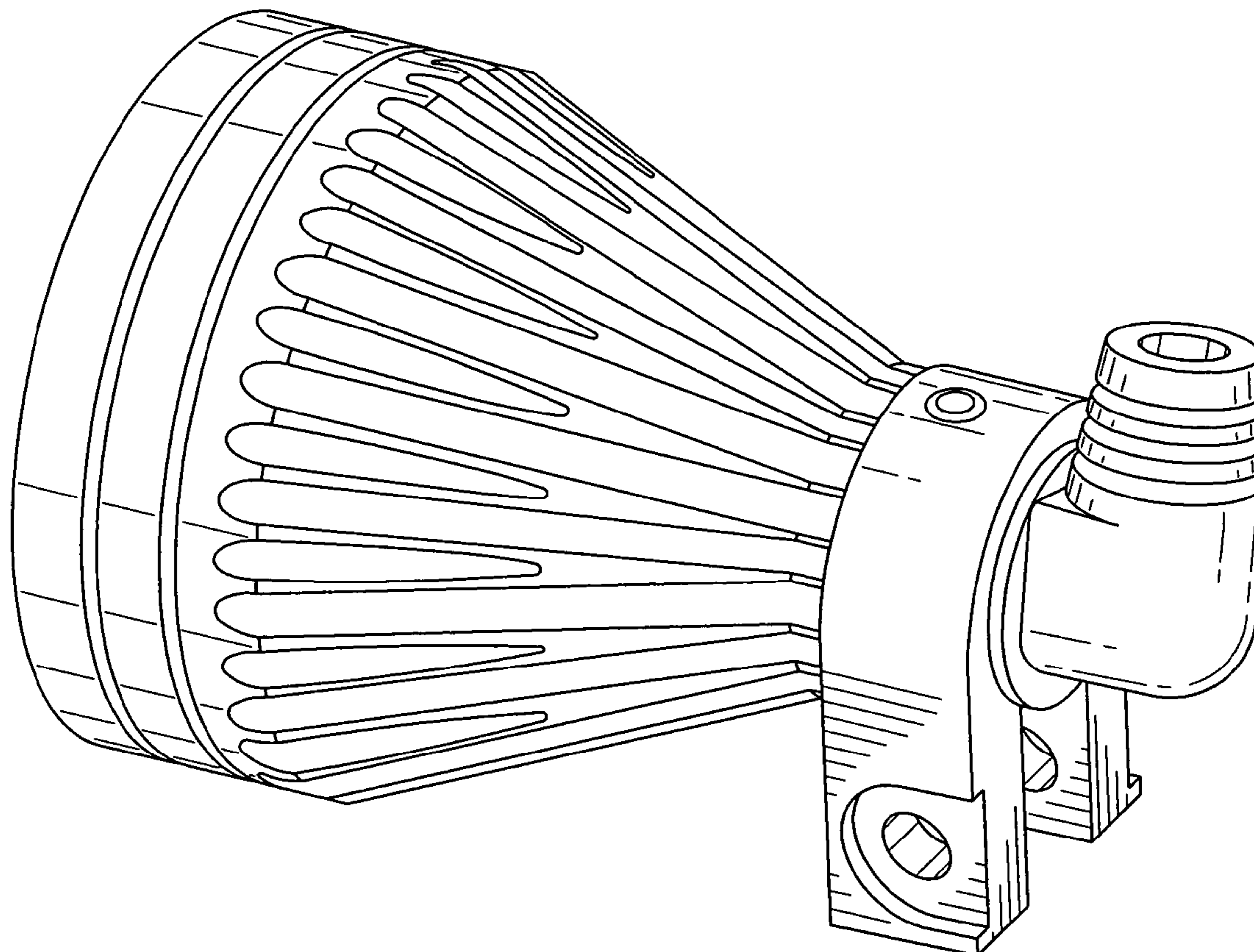
FIG. 1 is an isometric view of a headlamp showing our new design.

FIG. 2 is a front elevational view thereof;

FIG. 3 is a rear elevational view thereof; and,

FIG. 4 is a left side elevational view thereof, a right side elevational view thereof being a mirror image.

**1 Claim, 4 Drawing Sheets**



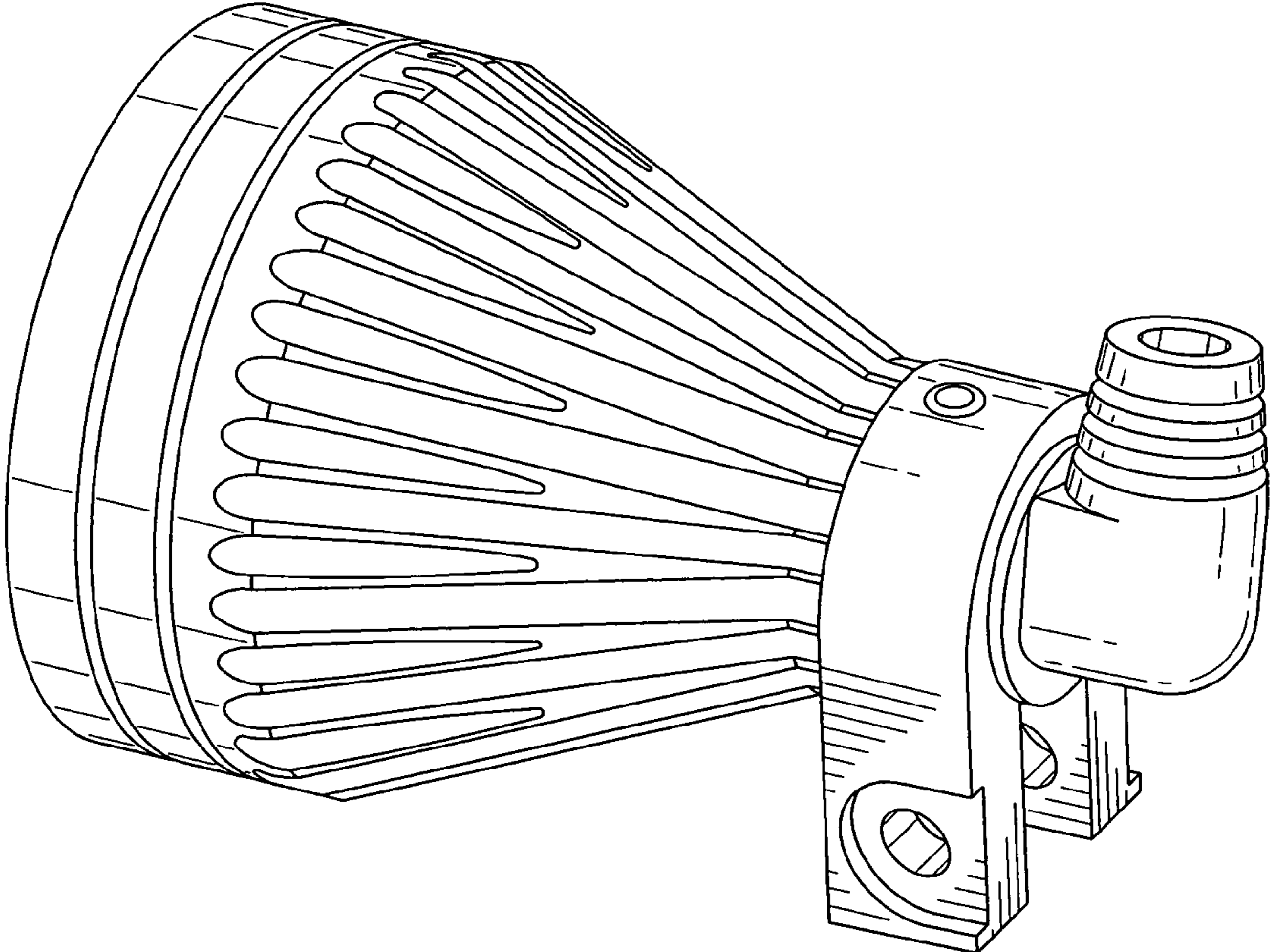


FIG. 1

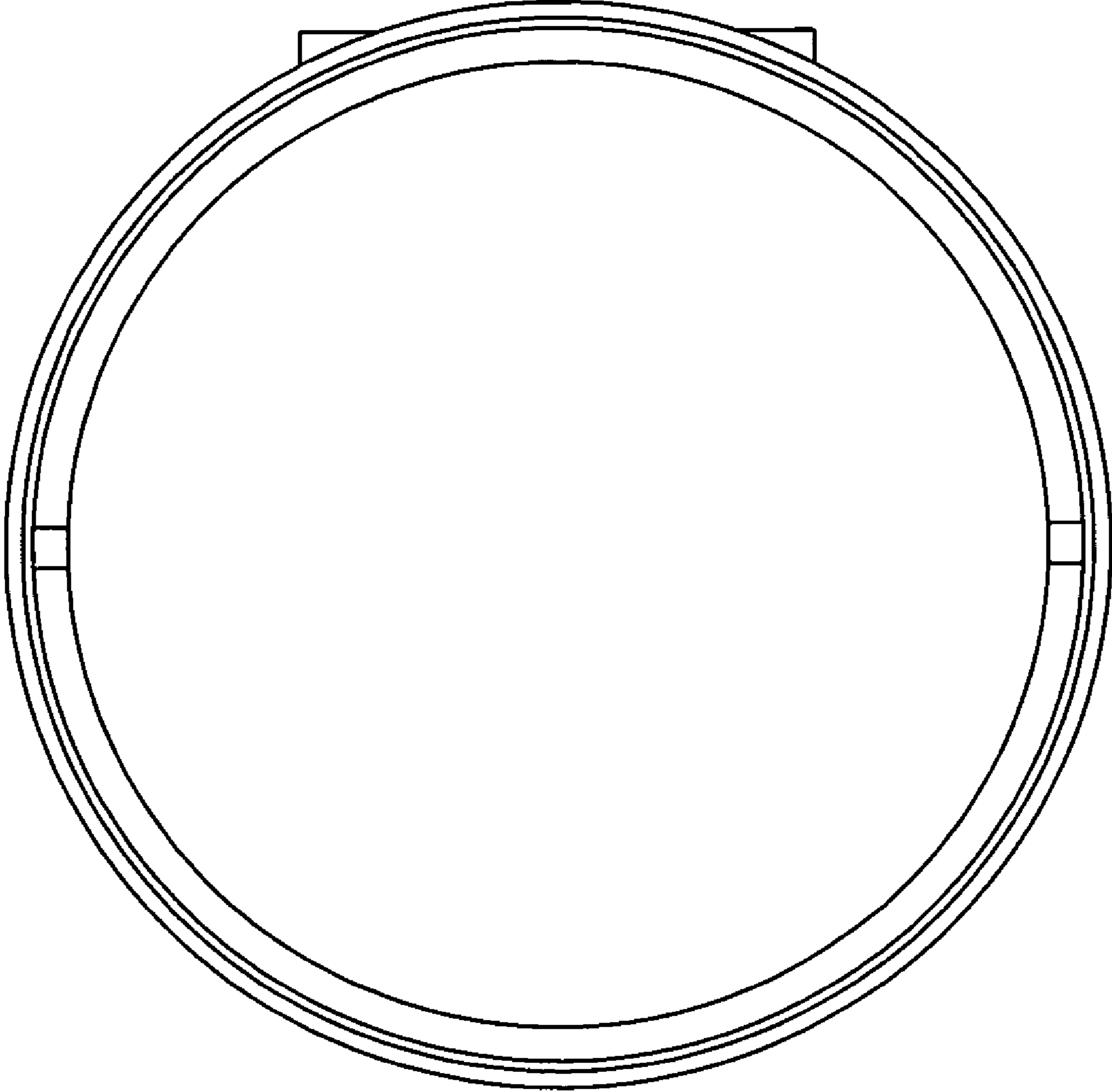


FIG. 2

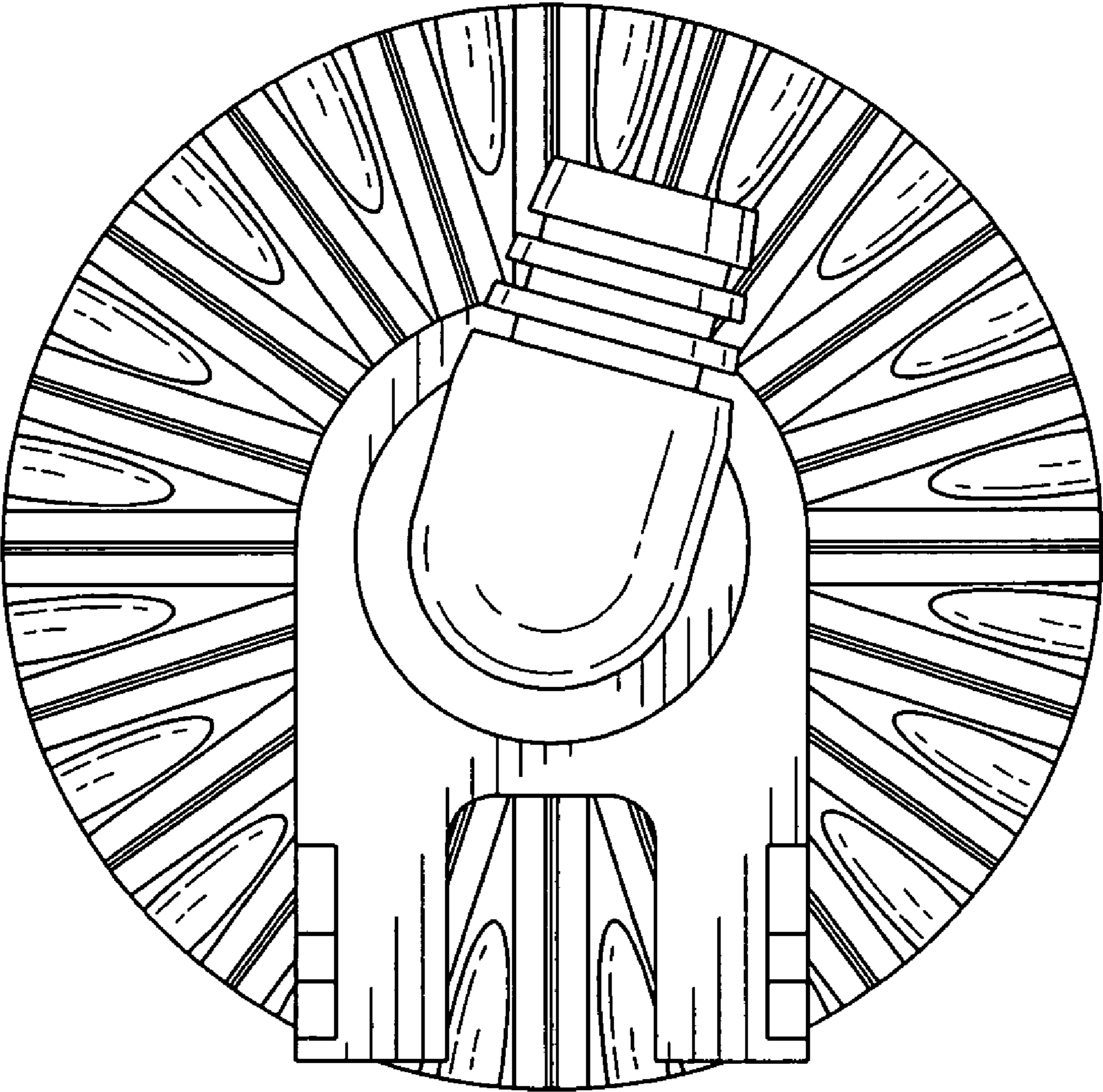


FIG. 3

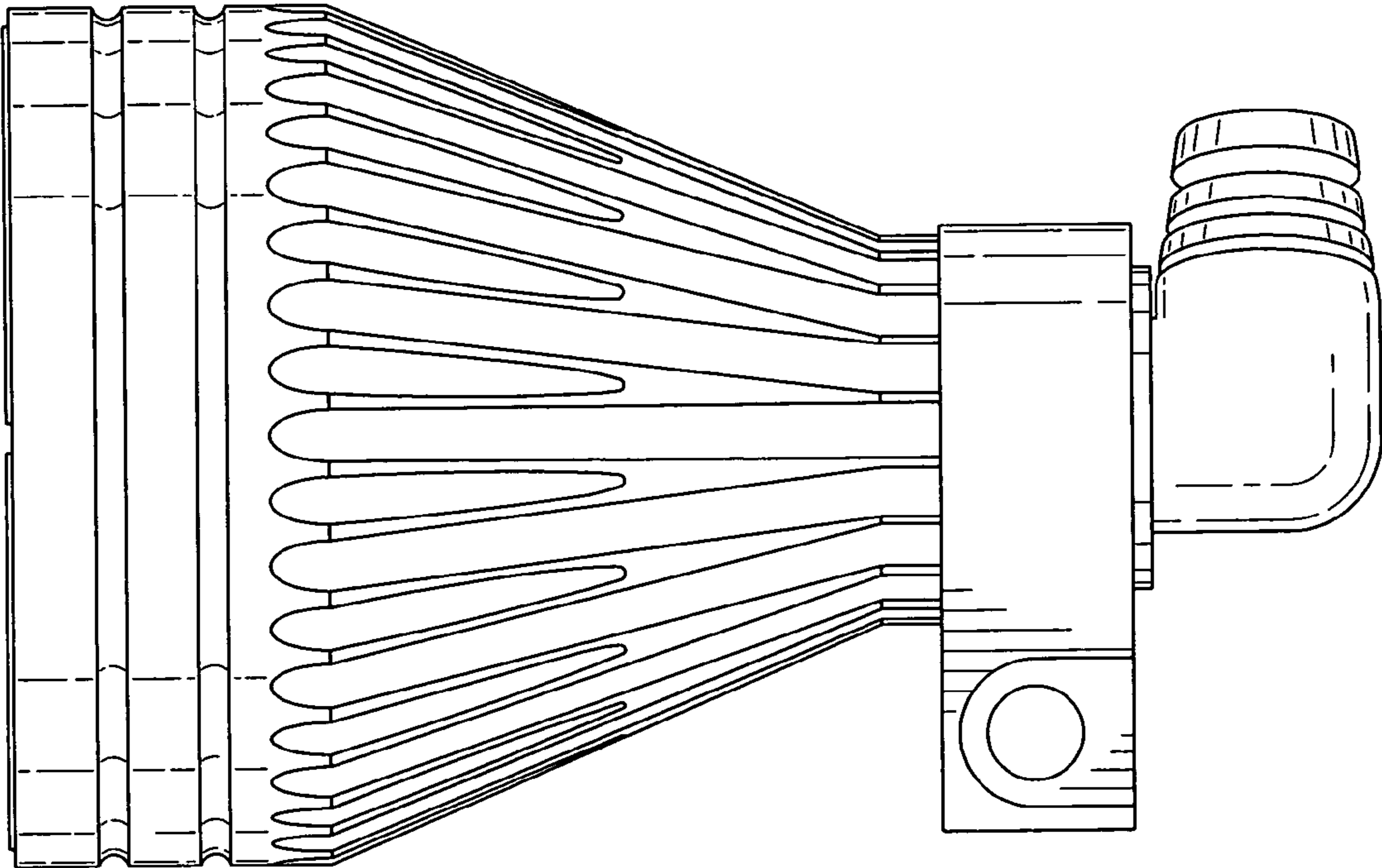


FIG. 4