



US00D627495S

(12) **United States Design Patent**  
**Lai et al.**

(10) **Patent No.:** **US D627,495 S**  
(45) **Date of Patent:** **\*\* Nov. 16, 2010**

(54) **LED LAMP BASE**

D582,578 S \* 12/2008 Tsai et al. .... D26/2  
D602,182 S \* 10/2009 Foo ..... D26/2  
D607,586 S \* 1/2010 Ko ..... D26/2

(75) Inventors: **Chih-Ming Lai**, Miao-Li Hsien (TW);  
**Ming-Young Shiao**, Miao-Li Hsien  
(TW)

\* cited by examiner

(73) Assignee: **Foxsemicon Integrated Technology, Inc.**, Chu-Nan, Miao-Li Hsien (TW)

*Primary Examiner*—Marcus A Jackson

(74) *Attorney, Agent, or Firm*—Raymond J. Chew

(\*\*) Term: **14 Years**

(57) **CLAIM**

(21) Appl. No.: **29/357,426**

The ornamental design for a LED lamp base, as shown.

(22) Filed: **Mar. 11, 2010**

**DESCRIPTION**

(30) **Foreign Application Priority Data**

Feb. 6, 2010 (CN) ..... 2010 3 0303304

FIG. 1 is a perspective view of a LED lamp base showing our new design.

(51) **LOC (9) Cl.** ..... **26-04**

(52) **U.S. Cl.** ..... **D26/2**

(58) **Field of Classification Search** ..... D26/1-4;  
313/313, 315, 316, 317, 318, 493; 315/52,  
315/53, 56, 57, 58

FIG. 2 is a front elevational view of the LED lamp base.

FIG. 3 is a rear elevational view of the LED lamp base.

FIG. 4 is a left-side, elevational view of the LED lamp base.

FIG. 5 is a right-side, elevational view of the LED lamp base.

FIG. 6 is a top plan view of the LED lamp base.

See application file for complete search history.

FIG. 7 is a bottom plan view of the LED lamp base; and,

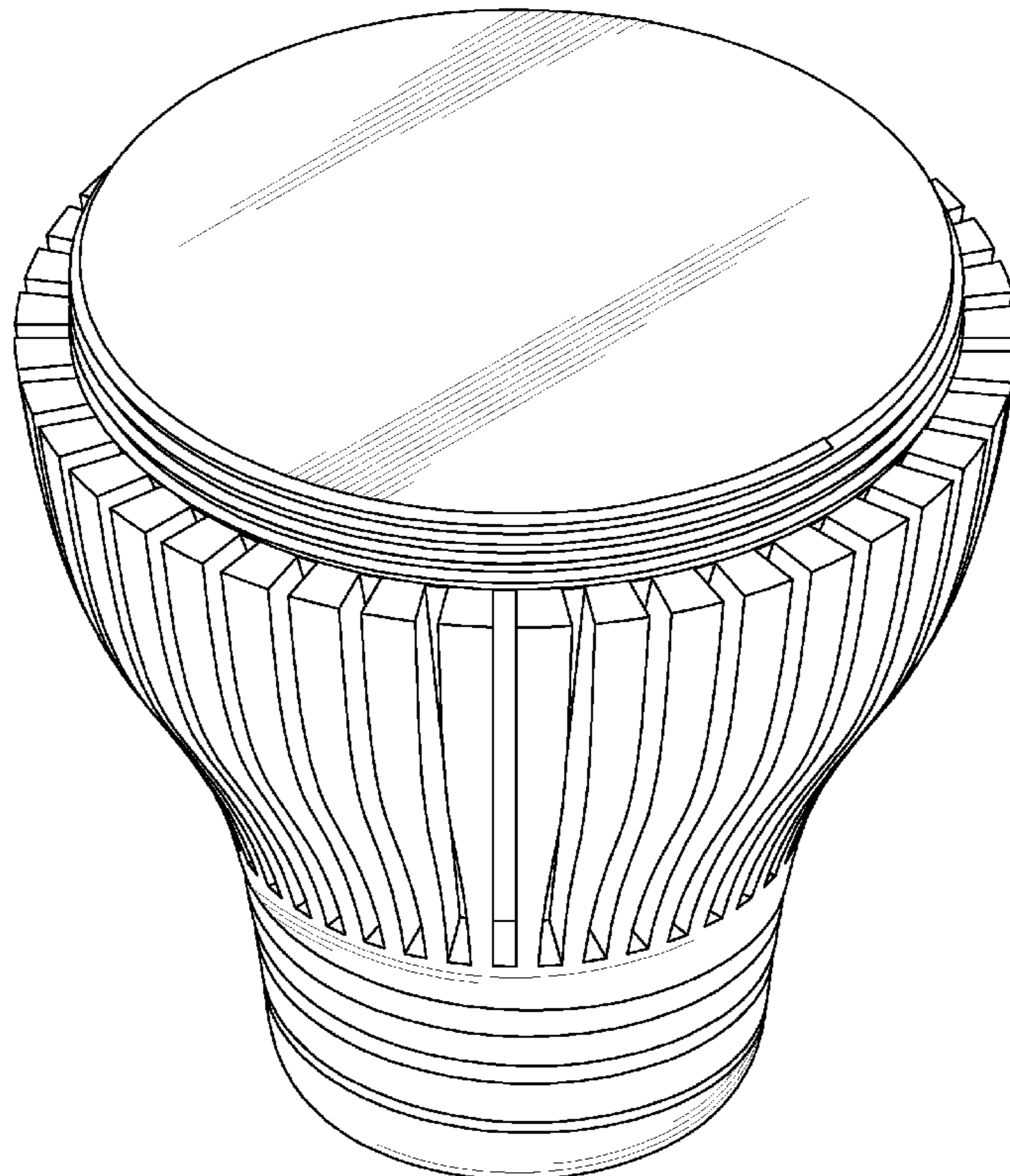
FIG. 8 is similar to FIG. 1, showing the LED lamp base being mounted with three LEDs and an envelope, wherein the LEDs and the envelope are shown in broken lines for illustrative purpose only and form no part of the claimed design.

(56) **References Cited**

**U.S. PATENT DOCUMENTS**

D545,457 S \* 6/2007 Chen ..... D26/2  
D572,385 S \* 7/2008 Mazzoquette et al. .... D26/2

**1 Claim, 8 Drawing Sheets**



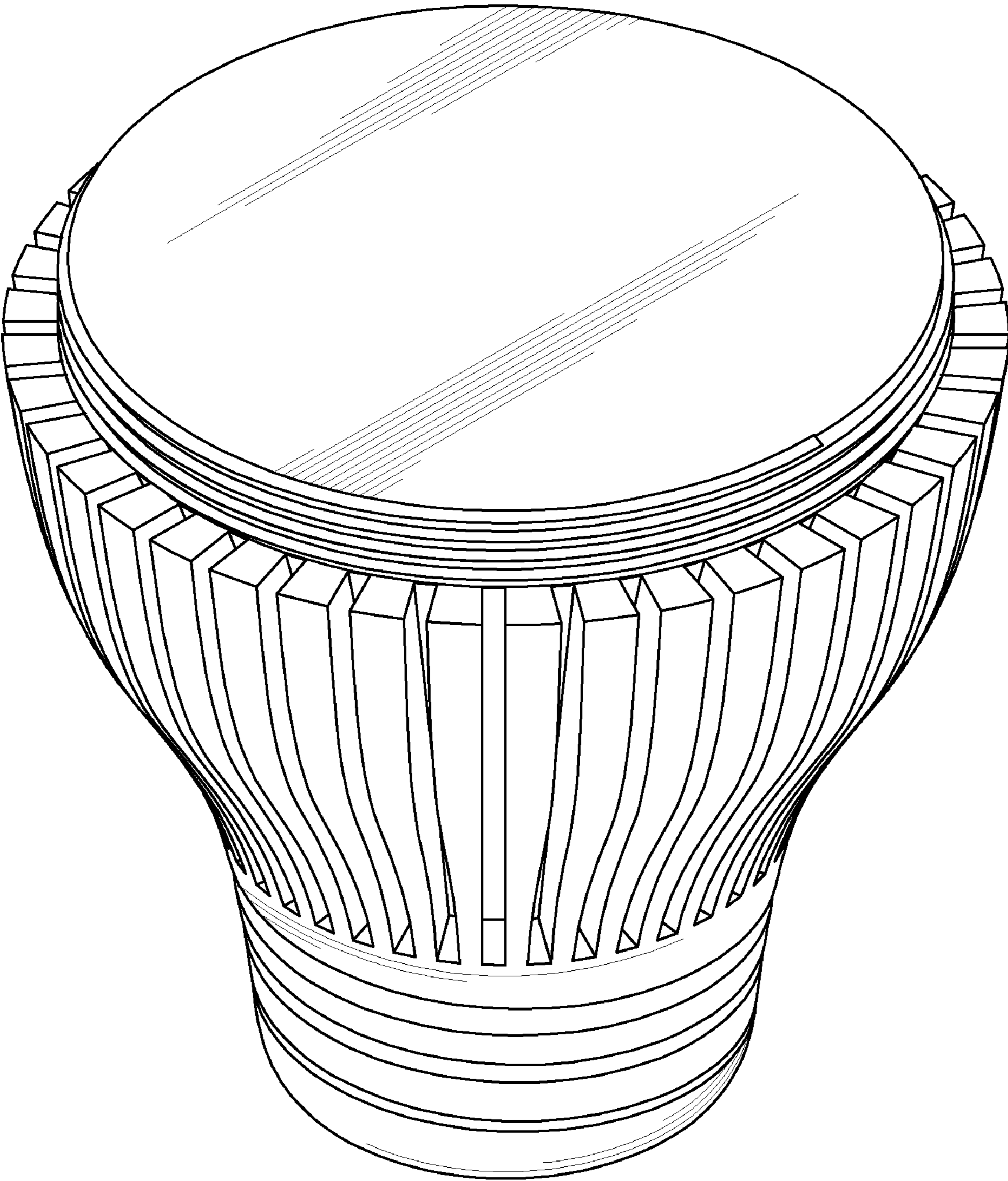


FIG. 1

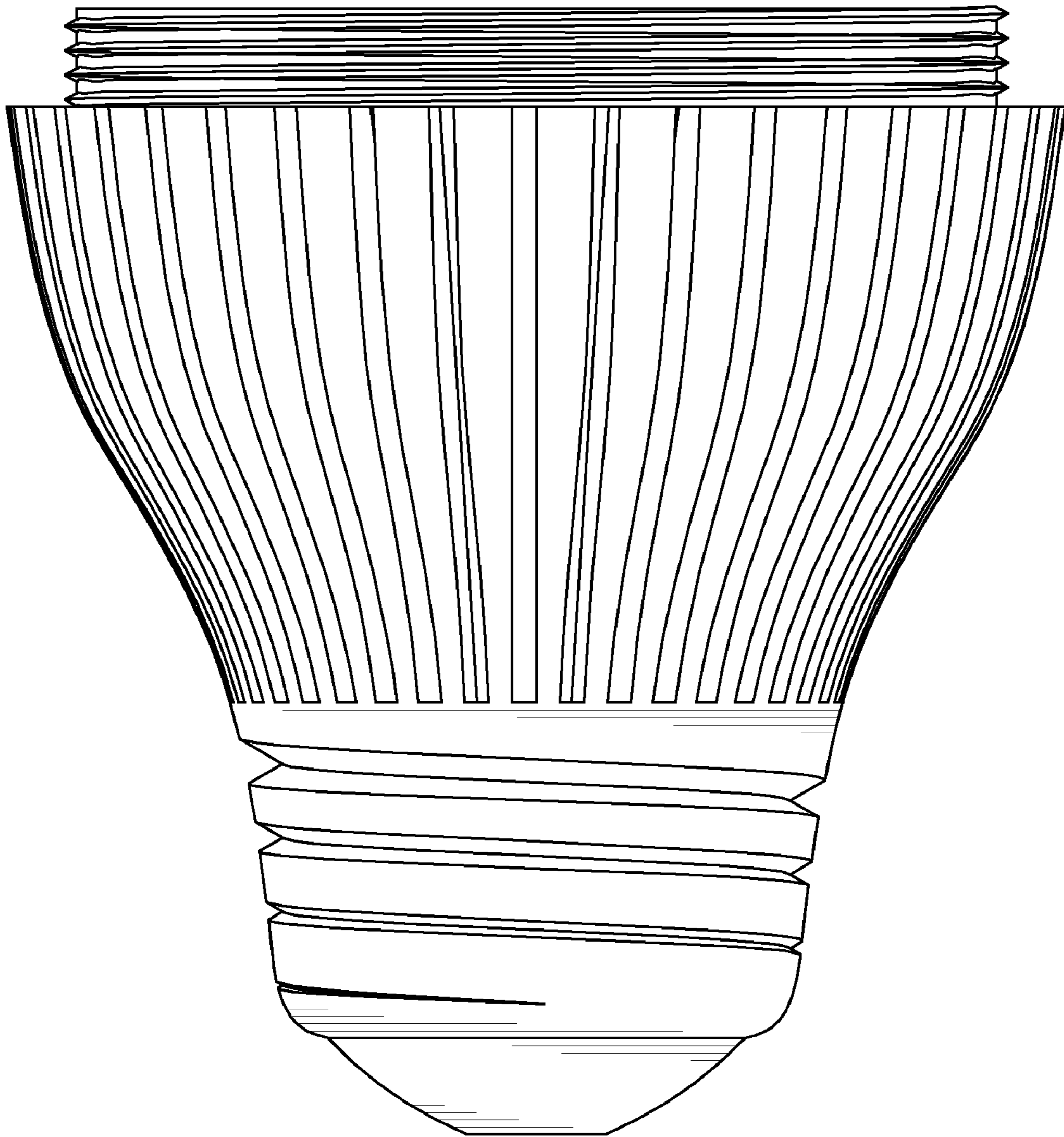


FIG. 2

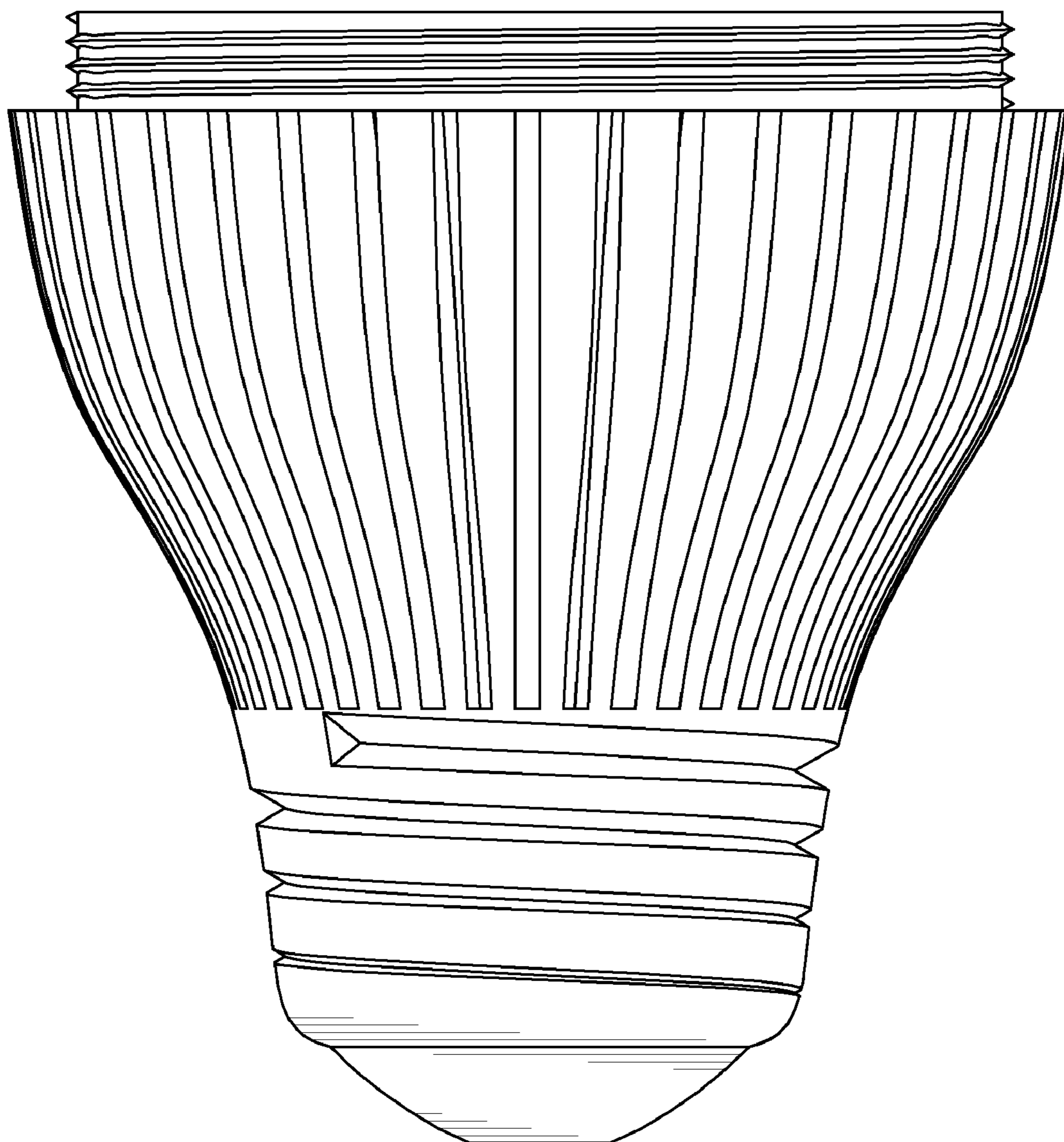


FIG. 3

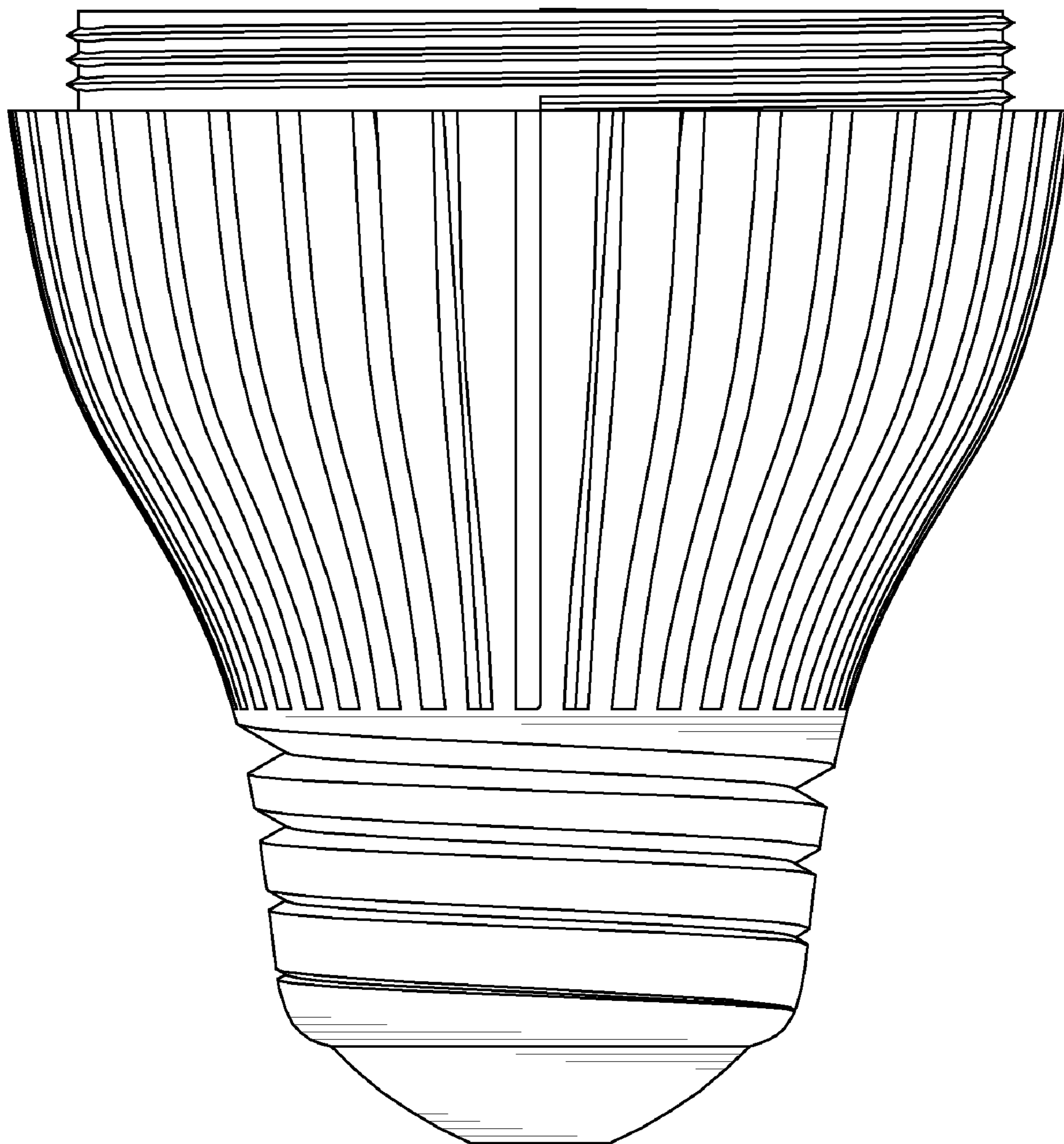


FIG. 4

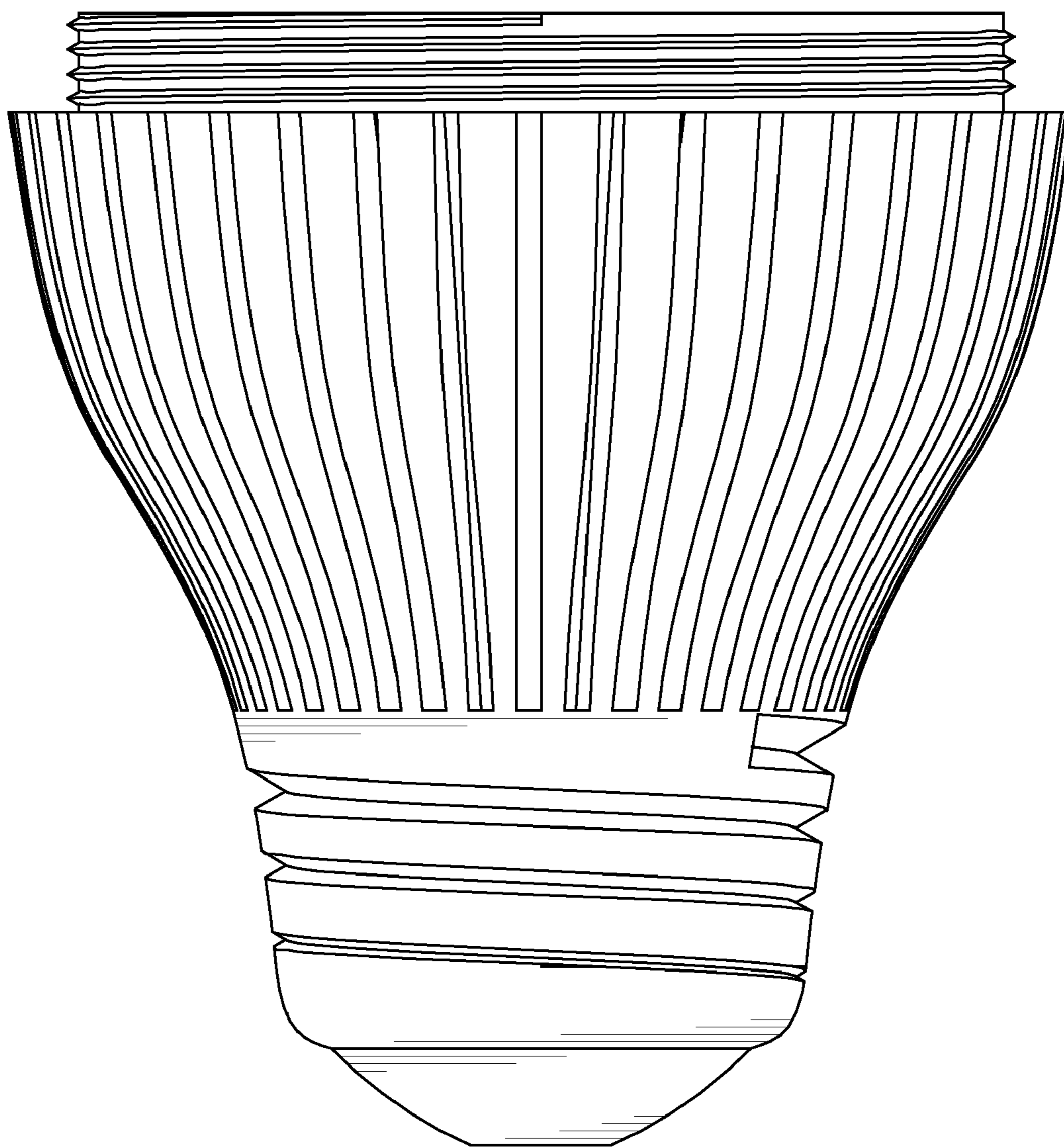


FIG. 5

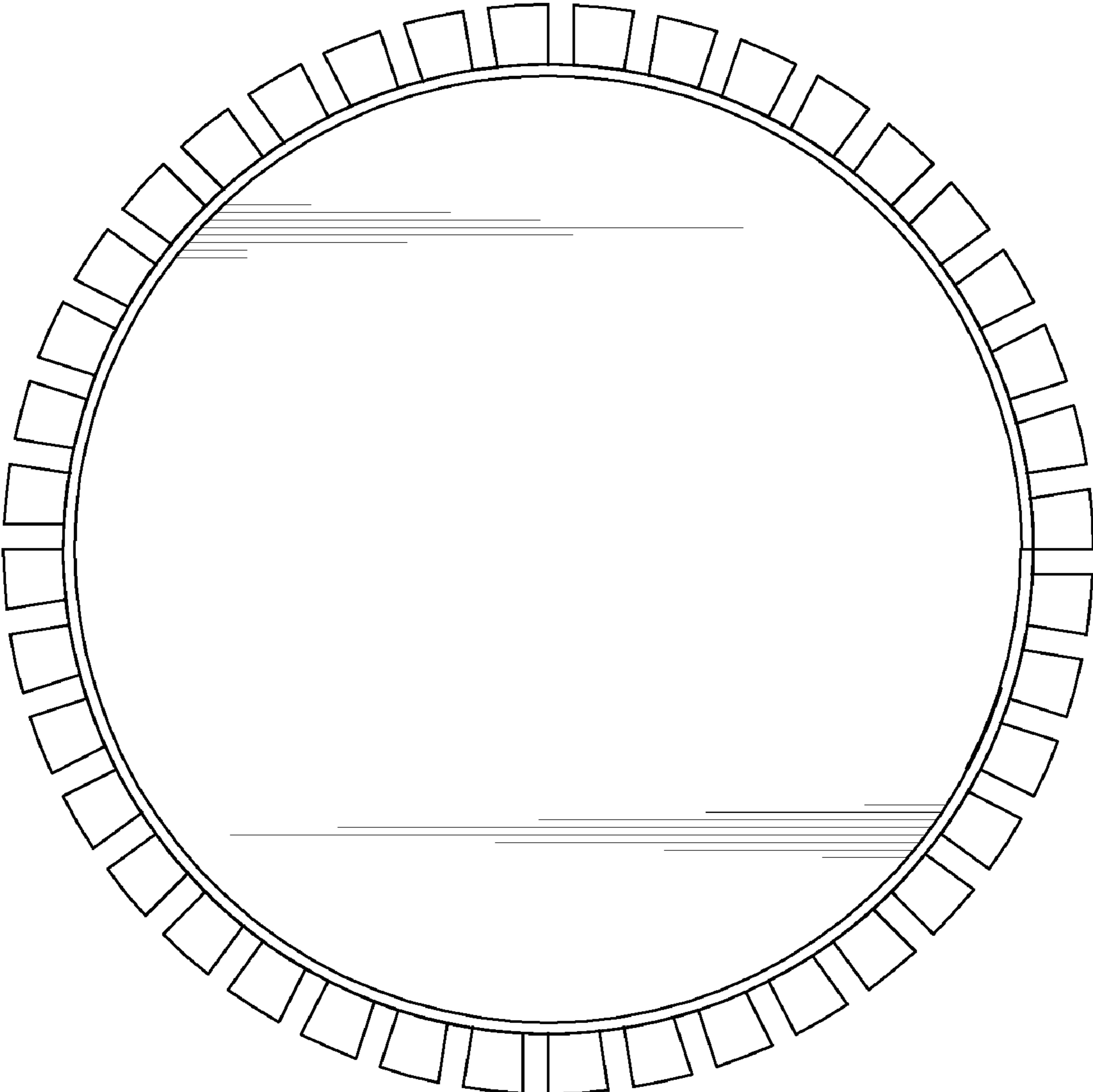


FIG. 6

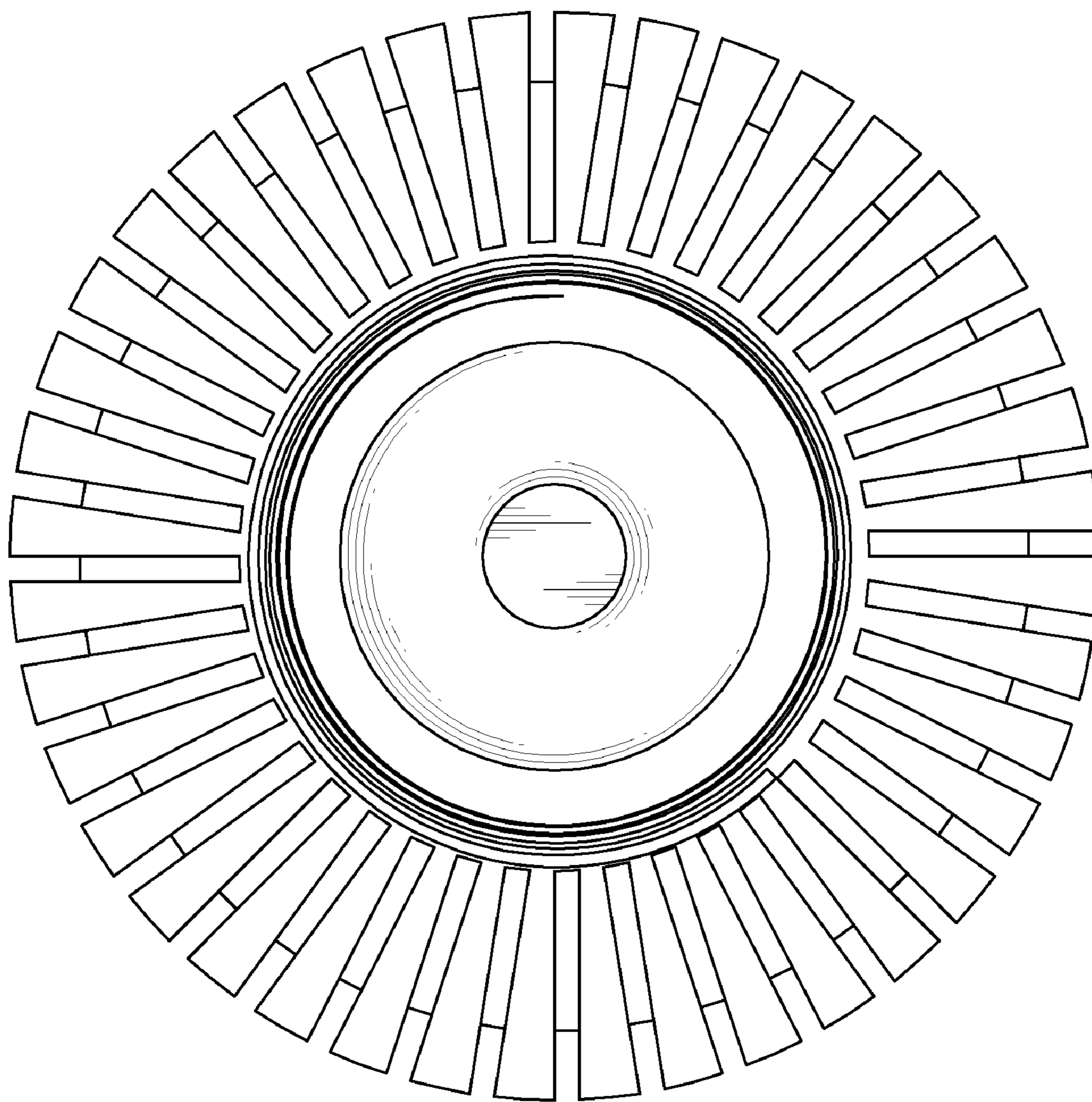


FIG. 7



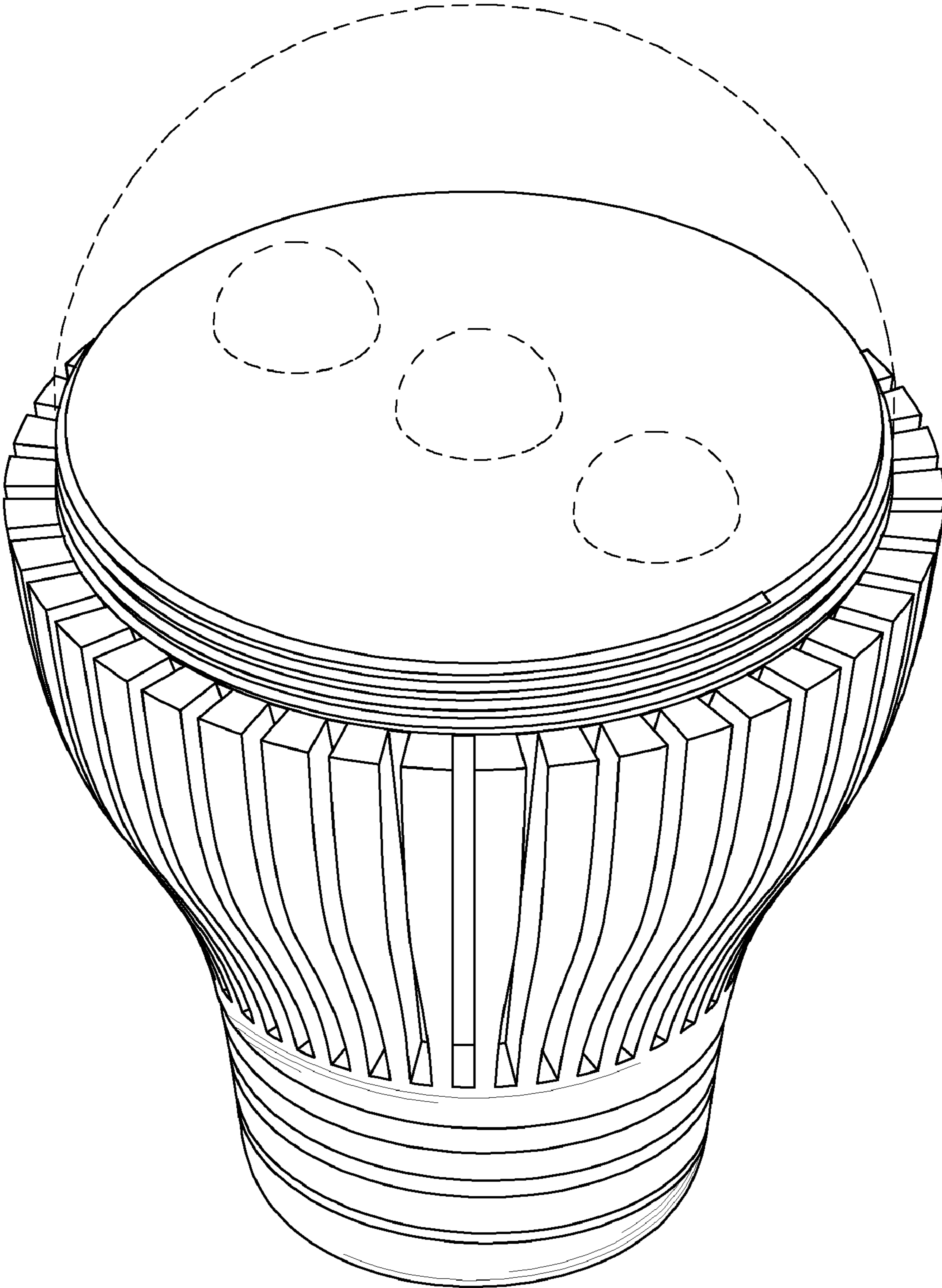


FIG. 8