



US00D627491S

(12) **United States Design Patent**
Wang et al.

(10) **Patent No.:** **US D627,491 S**

(45) **Date of Patent:** **** Nov. 16, 2010**

(54) **LED BULB**

(75) Inventors: **Zhong-Qing Wang**, Shenzhen (CN);
Chin-Chung Chen, Taipei Hsien (TW)

(73) Assignee: **Foxconn Technology Co., Ltd.**,
Tu-Cheng, Taipei Hsien (TW)

(**) Term: **14 Years**

(21) Appl. No.: **29/353,860**

(22) Filed: **Jan. 15, 2010**

(51) **LOC (9) Cl.** **26-04**

(52) **U.S. Cl.** **D26/2**

(58) **Field of Classification Search** D26/1-4;
313/313, 315, 316, 317, 318, 493; 315/52,
315/53, 56, 57, 58

See application file for complete search history.

(56) **References Cited**

U.S. PATENT DOCUMENTS

- D508,575 S * 8/2005 Buschmann et al. D26/2
- D528,227 S * 9/2006 Chou et al. D26/2
- D531,741 S * 11/2006 Takahashi D26/2

- D534,665 S * 1/2007 Egawa et al. D26/2
- D538,953 S * 3/2007 Mama D26/2
- D541,441 S * 4/2007 Carey D26/2
- D553,267 S * 10/2007 Yuen D26/2
- D581,556 S * 11/2008 To et al. D26/2

* cited by examiner

Primary Examiner—Marcus A Jackson

(74) *Attorney, Agent, or Firm*—Frank R. Niranjan

(57) **CLAIM**

The ornamental design for an LED bulb, as shown.

DESCRIPTION

FIG. 1 is a perspective view of an LED bulb showing our new design.

FIG. 2 is a front elevational view thereof.

FIG. 3 is a rear elevational view thereof.

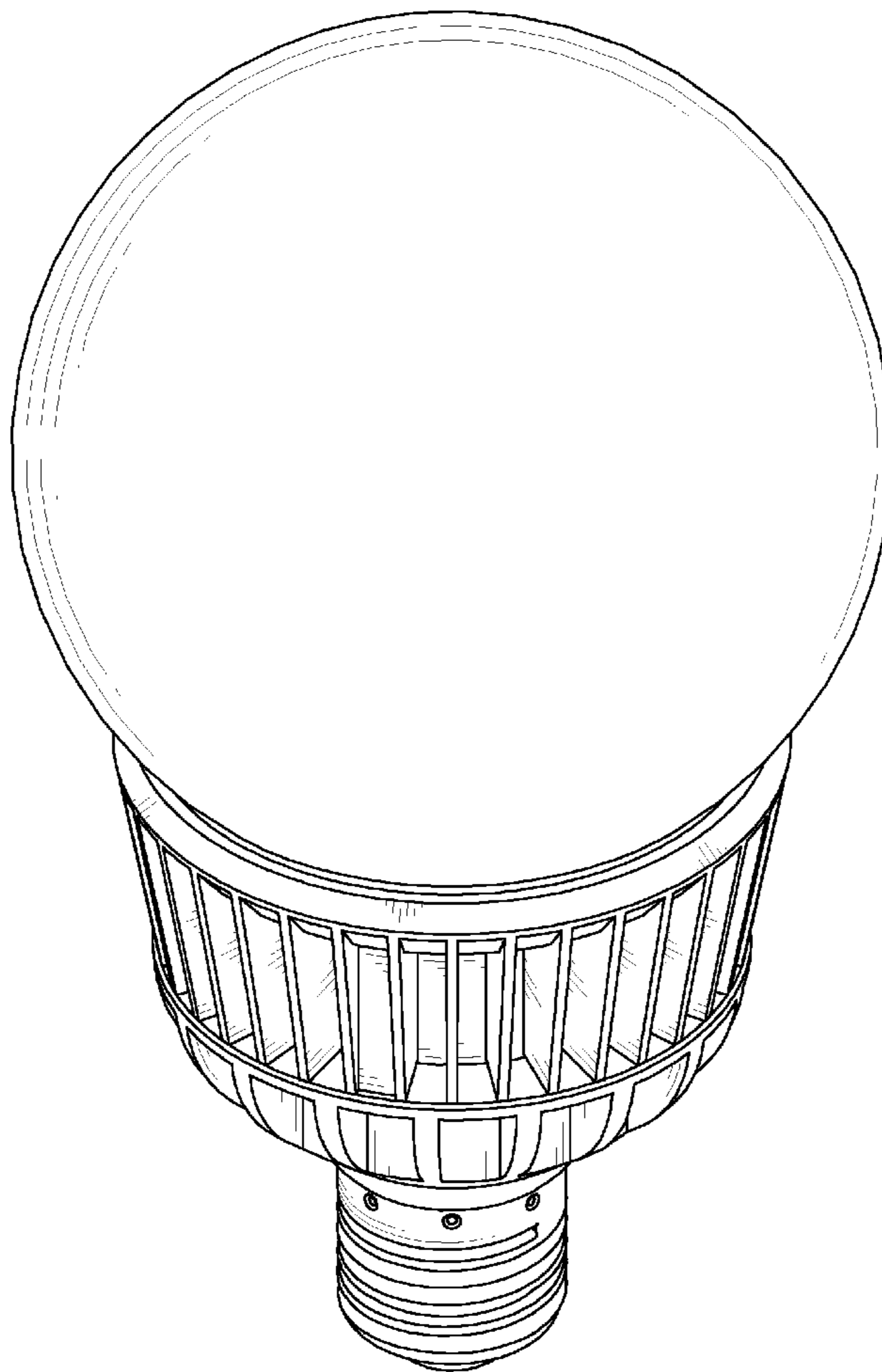
FIG. 4 is a left-side, elevational view thereof.

FIG. 5 is a right-side, elevational view thereof.

FIG. 6 is a top plan view thereof; and,

FIG. 7 is a bottom plan view thereof.

1 Claim, 7 Drawing Sheets



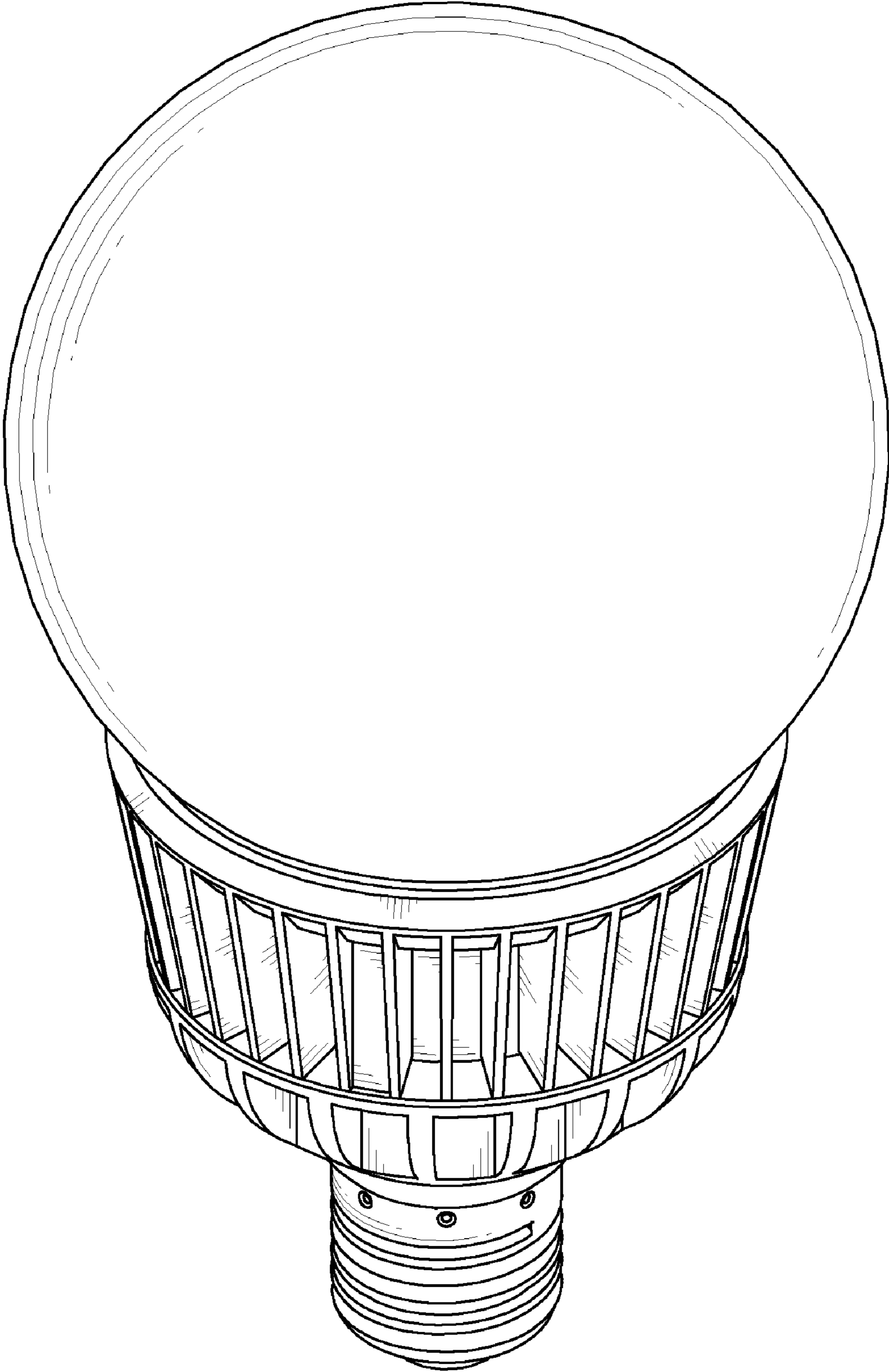


FIG. 1

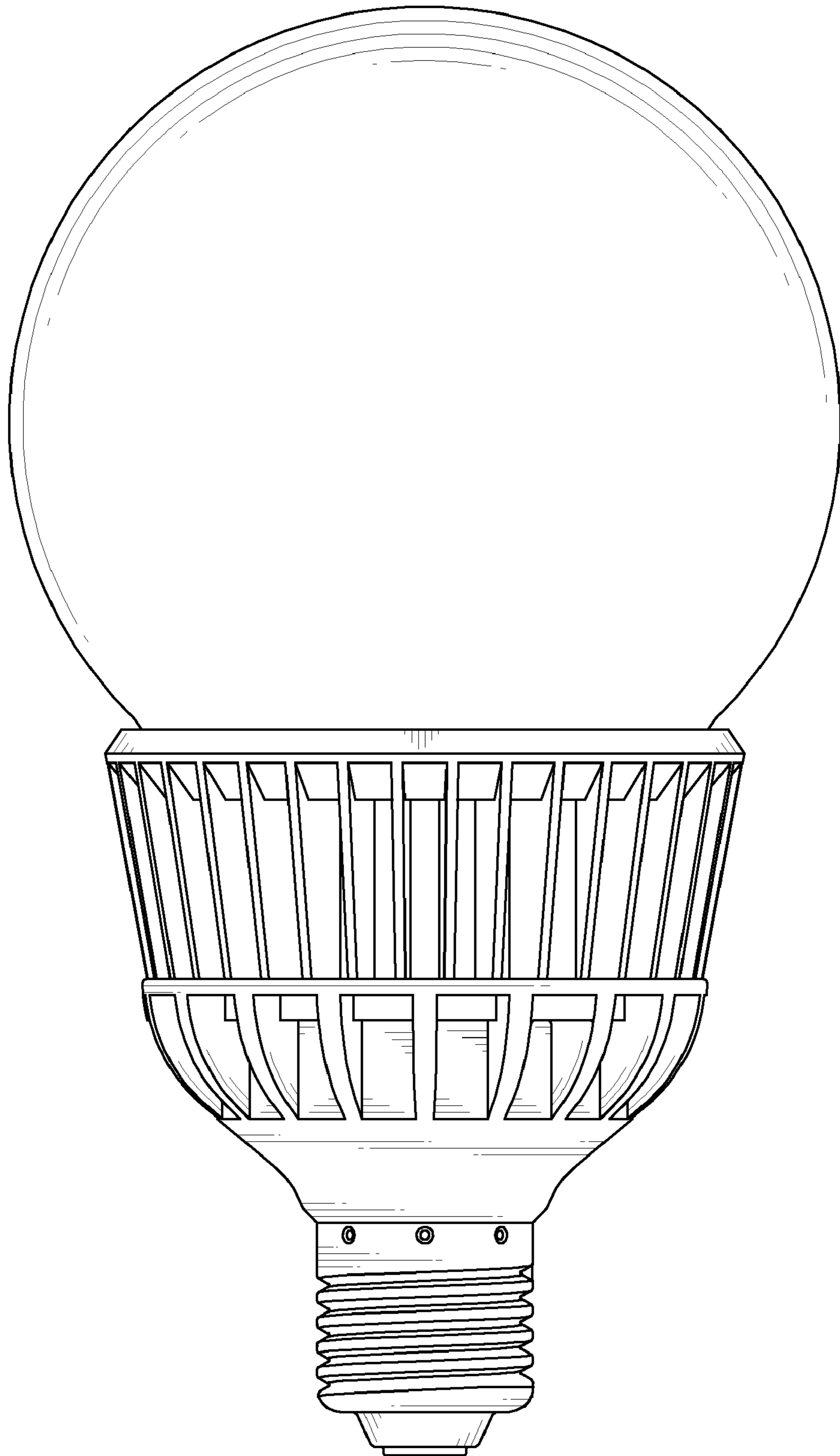


FIG. 2

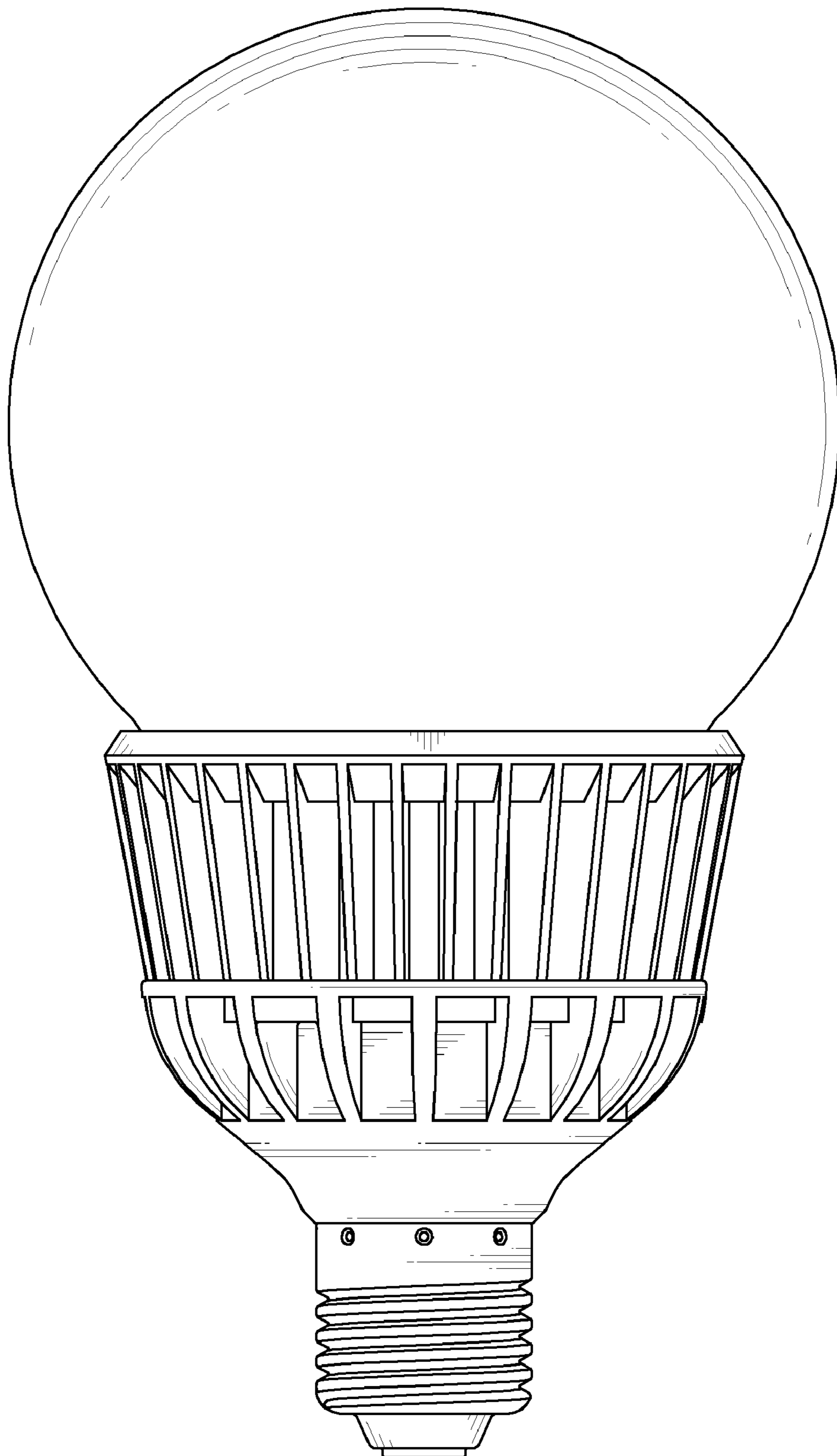


FIG. 3

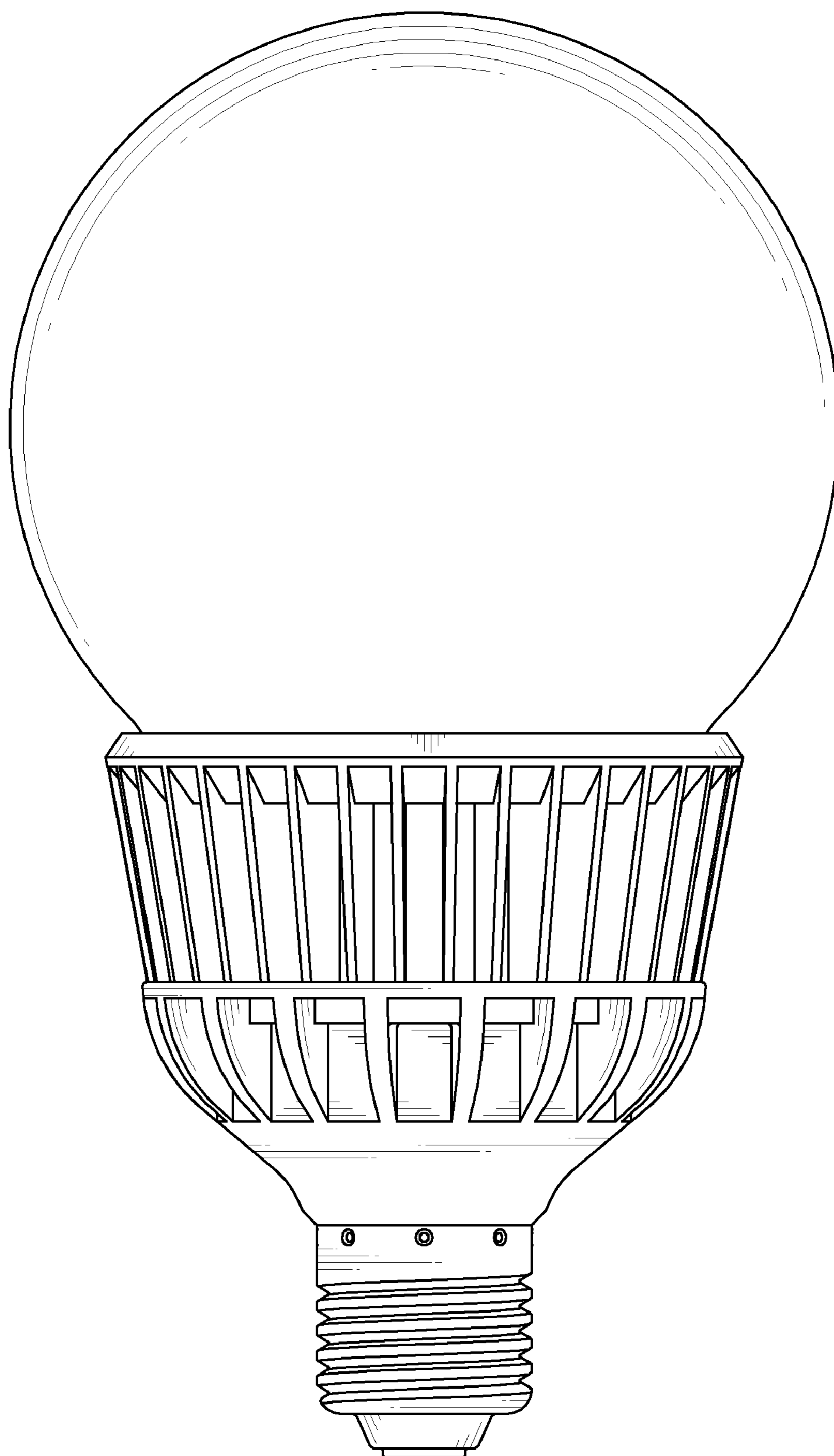


FIG. 4

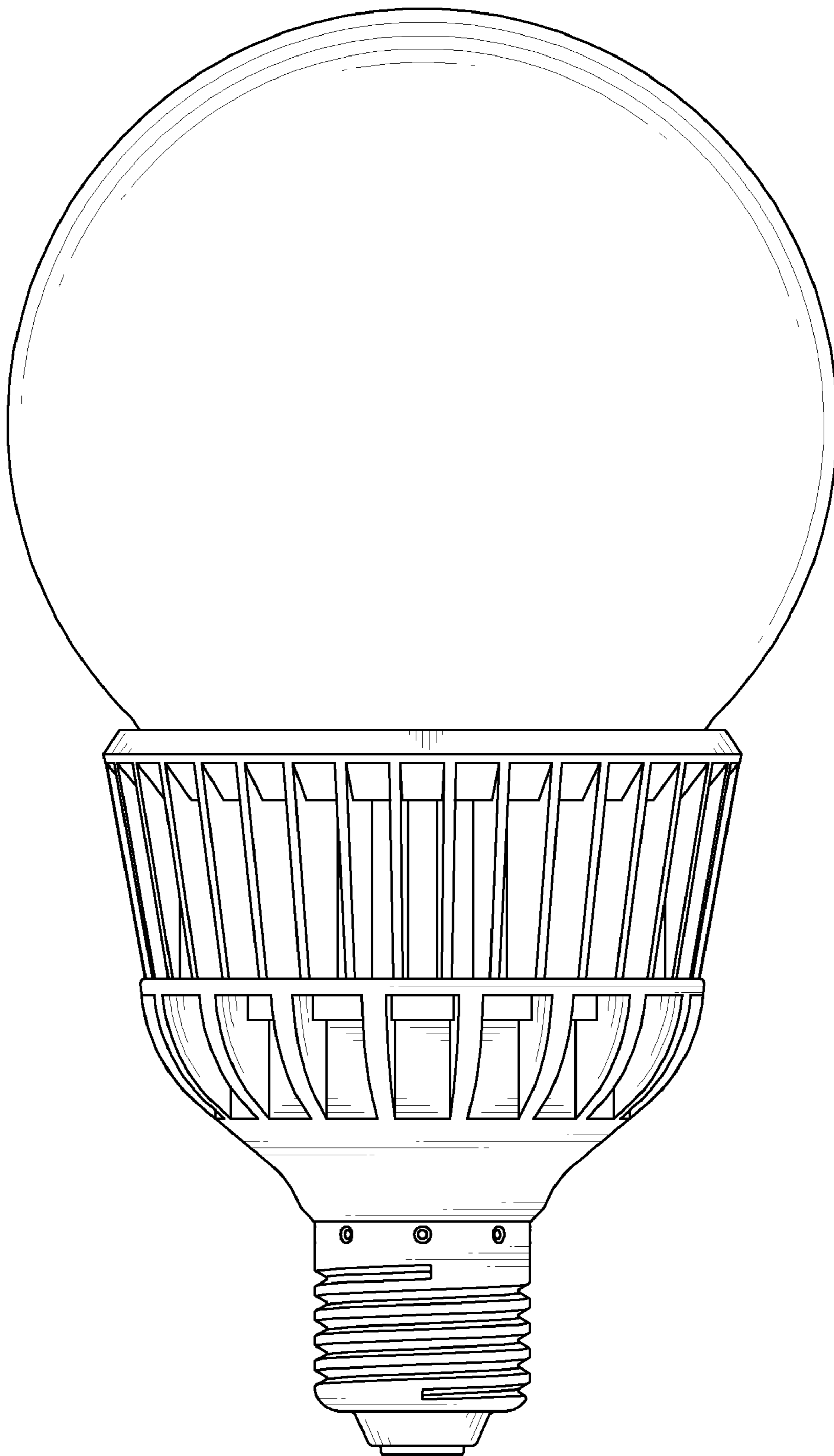


FIG. 5

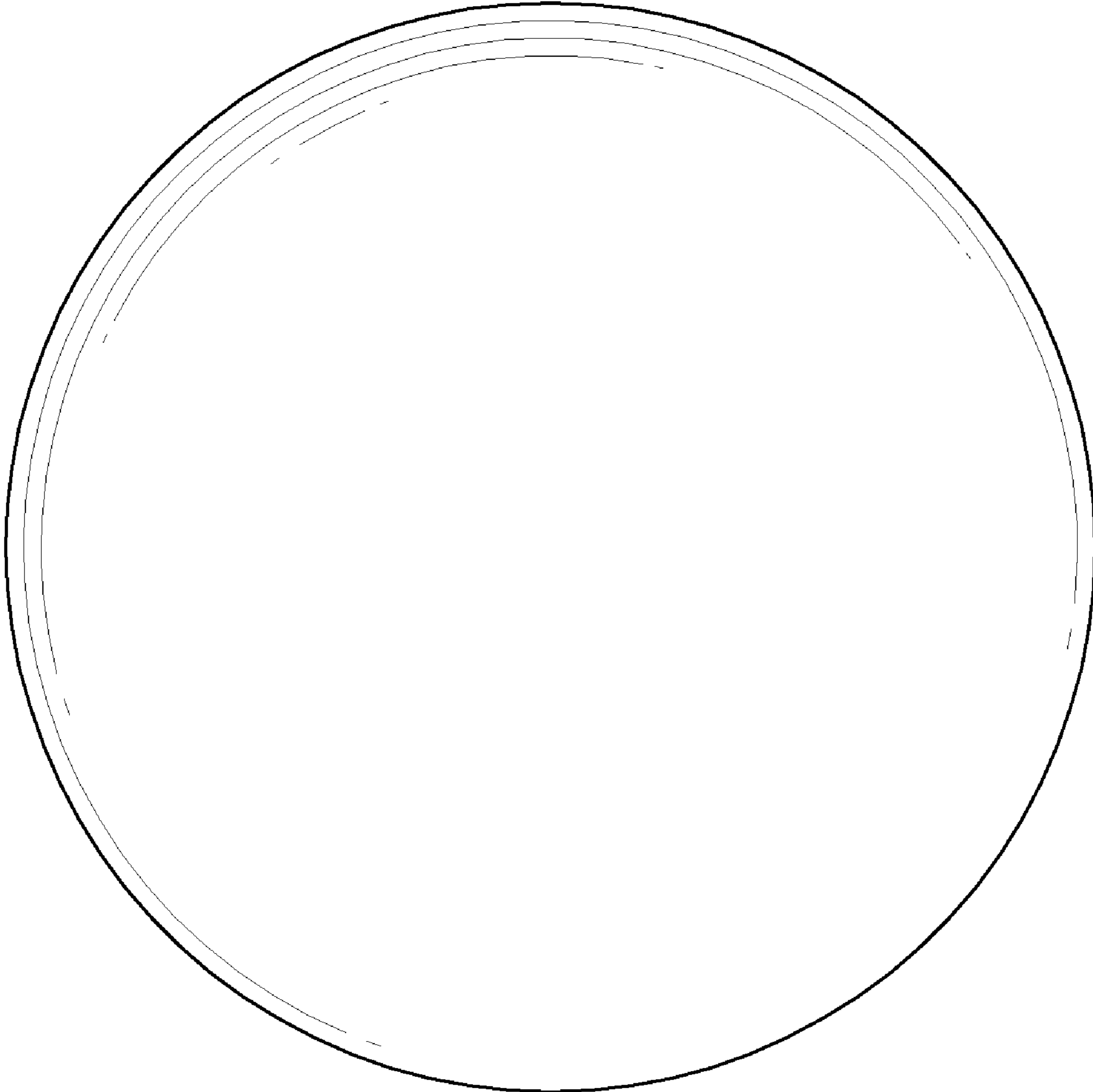


FIG. 6

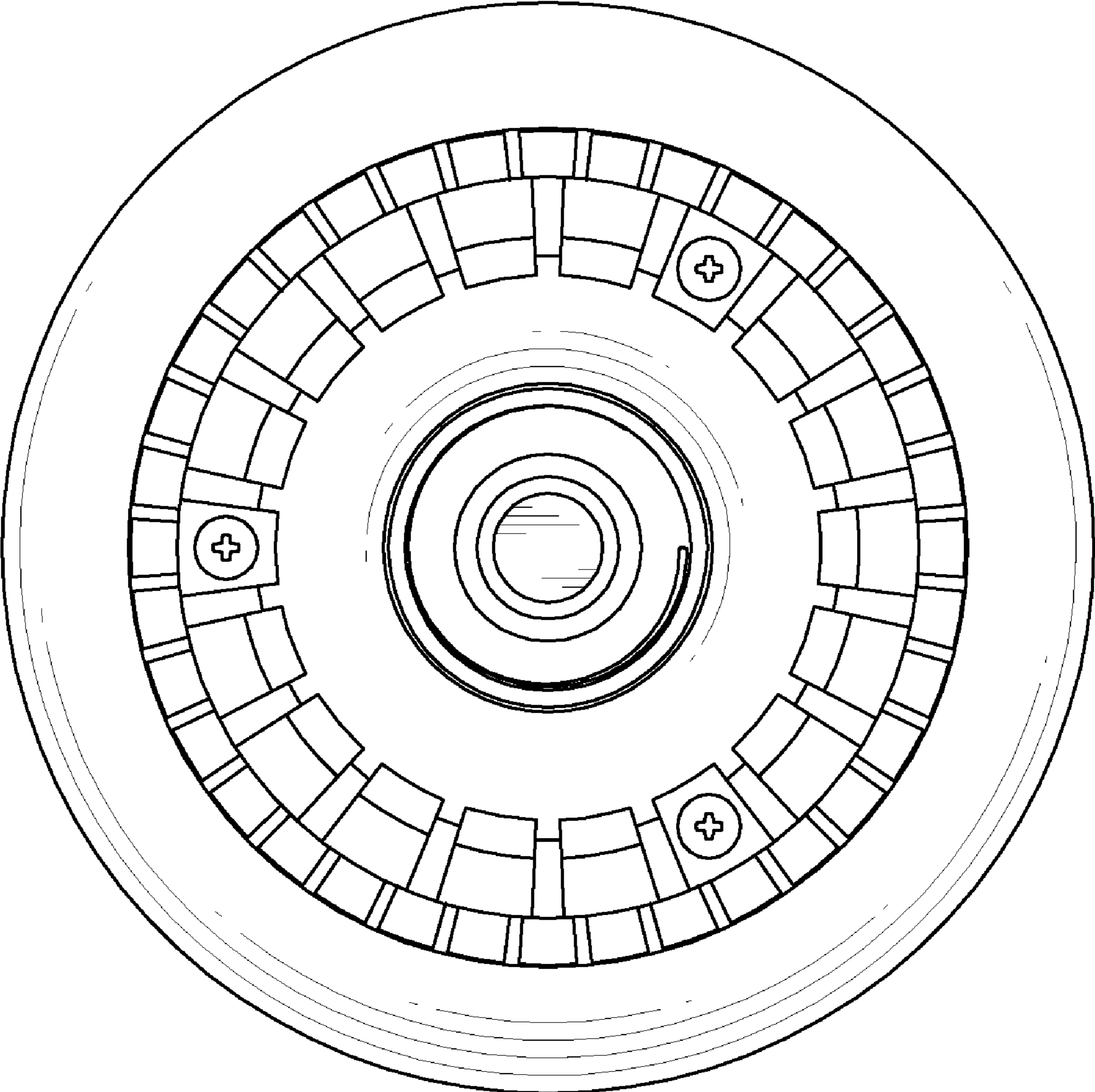


FIG. 7