

US00D627488S

(12) **United States Design Patent**
Abdollahzadeh et al.

(10) **Patent No.:** **US D627,488 S**

(45) **Date of Patent:** **** Nov. 16, 2010**

(54) **FLIP TOP ADJUSTABLE THRESHOLD CAP**

6,789,358 B2 * 9/2004 Procton et al. 49/471

6,829,864 B2 12/2004 Mitchell et al.

(75) Inventors: **Joshua Abdollahzadeh**, Denver, NC
(US); **Sean Gilboy**, Reidsville, NC (US)

7,266,929 B1 9/2007 Allred et al.

7,389,611 B2 * 6/2008 Palenske CI 49/468

(73) Assignee: **Endura Products, Inc.**, Colfax, NC
(US)

(Continued)

(**) Term: **14 Years**

FOREIGN PATENT DOCUMENTS

(21) Appl. No.: **29/355,476**

GB 2 063 341 A 6/1981

(22) Filed: **Feb. 8, 2010**

OTHER PUBLICATIONS

Related U.S. Application Data

Threshold Sill, Imperial, known as of Mar. 19, 2007.

(63) Continuation of application No. 11/688,288, filed on
Mar. 20, 2007, now abandoned.

(Continued)

(51) **LOC (9) Cl.** **25-01**

Primary Examiner—Doris Clark

(52) **U.S. Cl.** **D25/119**

(74) *Attorney, Agent, or Firm*—Womble Carlyle Sandridge &
Rice, PLLC

(58) **Field of Classification Search** 49/467,
49/468, 469; D25/164, 48, 199, 119
See application file for complete search history.

(57) **CLAIM**

The ornamental design for a flip top adjustable threshold cap,
as shown and described.

(56) **References Cited**

DESCRIPTION

U.S. PATENT DOCUMENTS

3,521,404 A	7/1970	Hager et al.	
3,900,967 A	8/1975	Bursk et al.	
4,104,830 A *	8/1978	Eagle	49/468
4,213,275 A *	7/1980	Oehmig	49/468
4,352,258 A	10/1982	Bursk et al.	
5,426,894 A	6/1995	Headrick	
5,517,788 A	5/1996	McGough et al.	
5,524,391 A	6/1996	Joffe et al.	
5,588,266 A	12/1996	Headrick	
5,611,173 A	3/1997	Headrick et al.	
5,638,641 A	6/1997	Joffe et al.	
6,345,477 B1	2/2002	Kepler et al.	
6,367,201 B1	4/2002	Massey et al.	
6,484,446 B2	11/2002	Young	
D488,243 S *	4/2004	Babka et al.	D25/119

FIG. 1 is a front right perspective of our new design in an open
position;

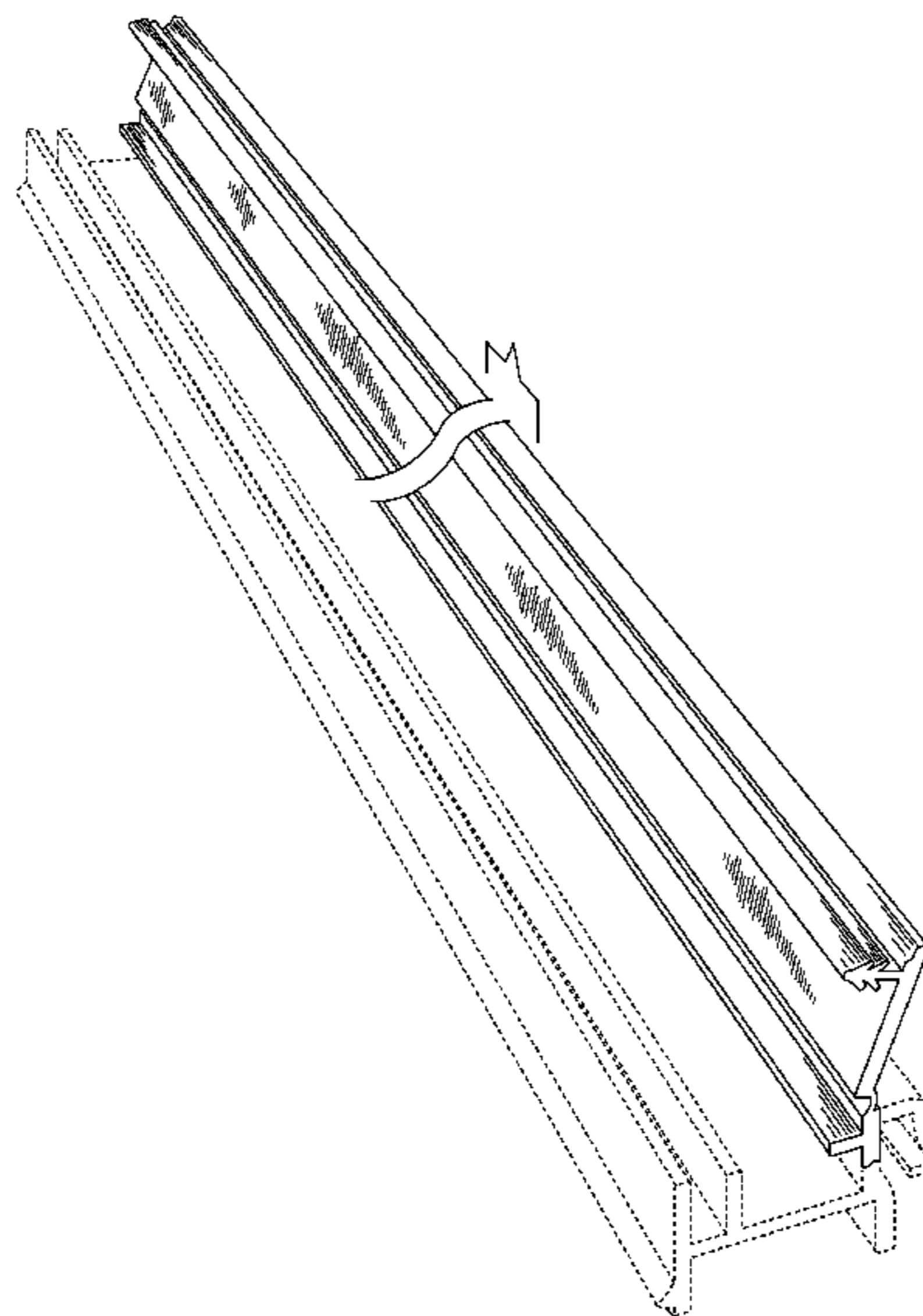
FIG. 2 is a front right perspective thereof in a closed position;

FIG. 3 is a side view thereof in the open position, the opposite
side being a mirror image thereof; and,

FIG. 4 is a front right perspective, showing additional envi-
ronmental elements.

The dashed lines in the Figures refer to environmental ele-
ments only and form no part of the claimed design. The break
lines in FIGS. 1, 2 and 4 indicate indefinite length.

1 Claim, 4 Drawing Sheets



US D627,488 S

Page 2

U.S. PATENT DOCUMENTS

7,472,516 B2 1/2009 Pepper et al.
2002/0129557 A1 9/2002 Young
2002/0194787 A1 12/2002 Bennett
2004/0139667 A1 7/2004 Massey et al.
2004/0200153 A1 10/2004 Khanlarian

2005/0210754 A1 9/2005 Ferrell
2006/0053695 A1 3/2006 Palenske

OTHER PUBLICATIONS

Threshold Sill, Stanley, known as of Mar. 19, 2007.

* cited by examiner

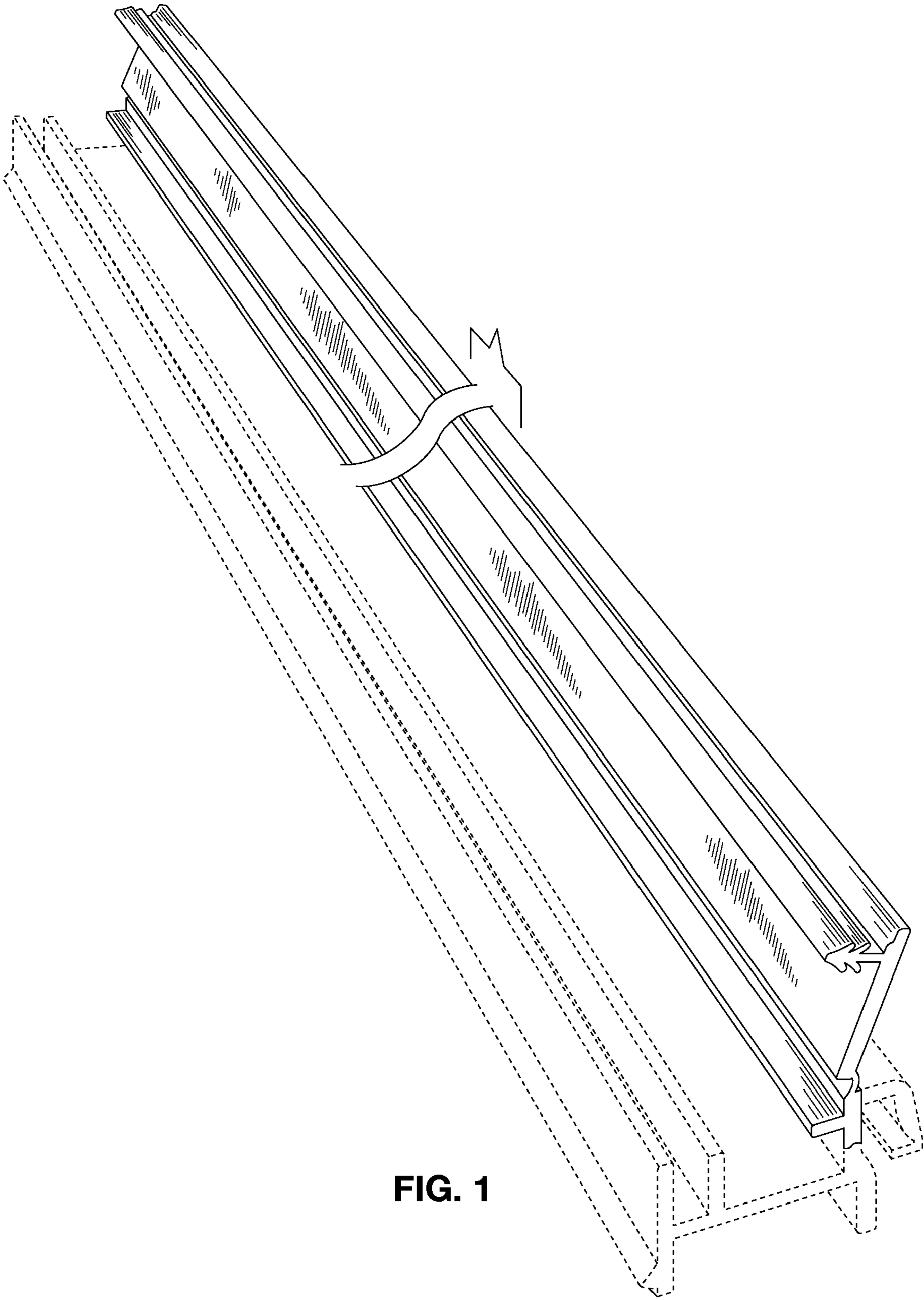


FIG. 1

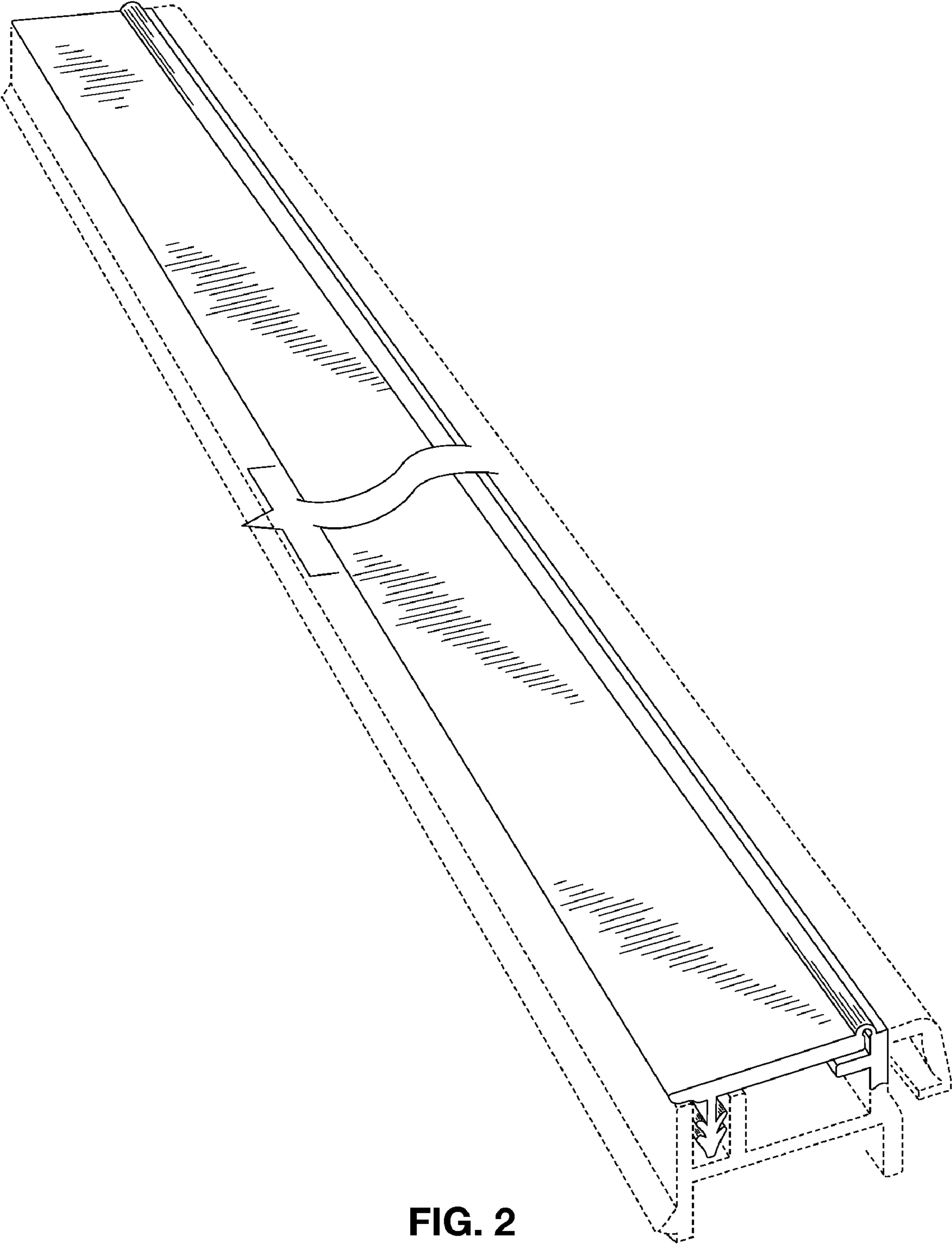


FIG. 2

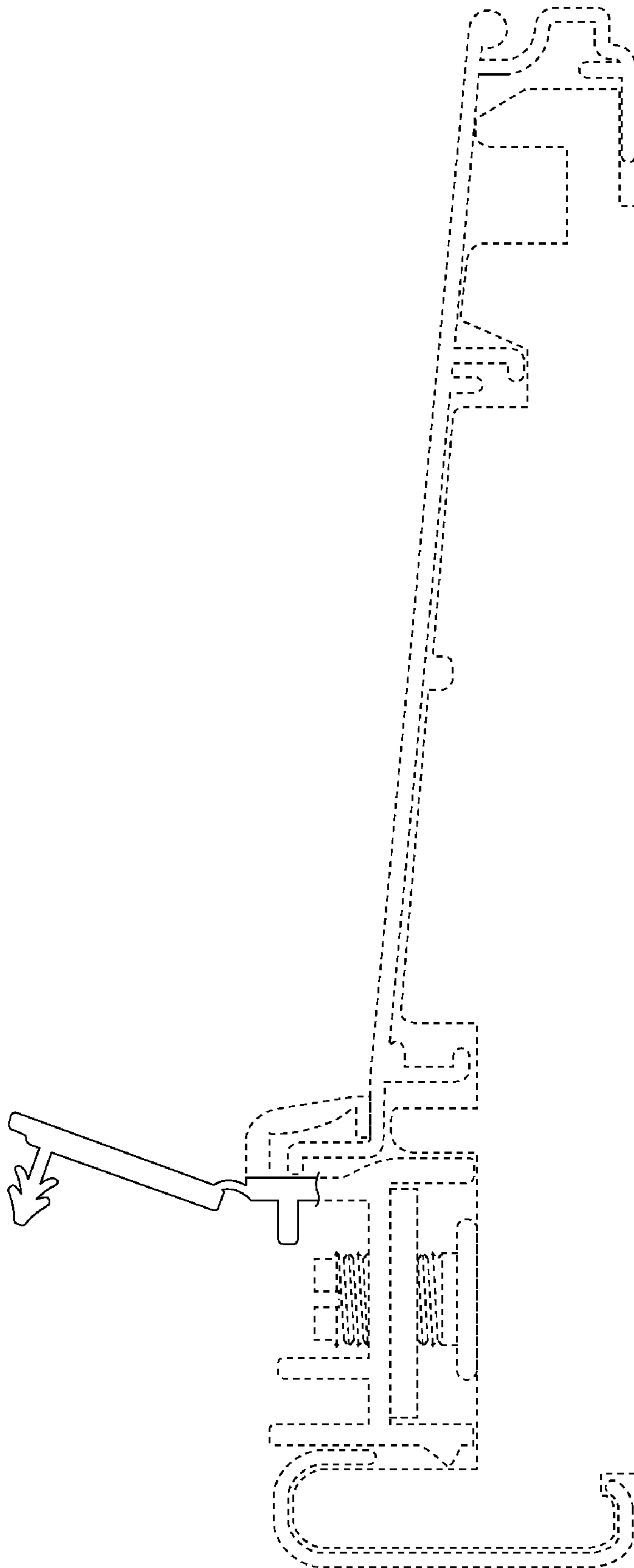


FIG. 3

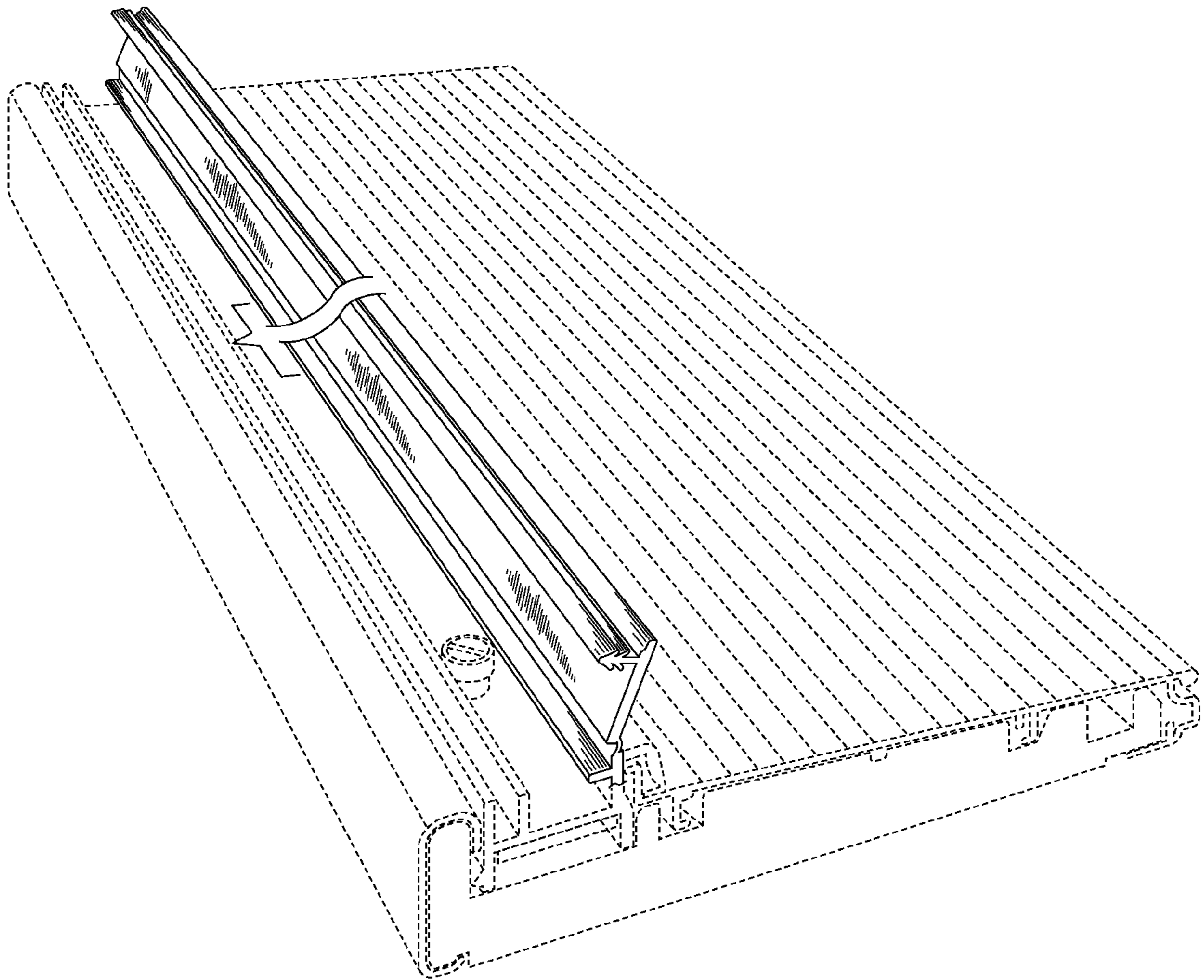


FIG. 4