



US00D627487S

(12) **United States Design Patent**
López

(10) **Patent No.:** **US D627,487 S**

(45) **Date of Patent:** **** Nov. 16, 2010**

(54) **LADDER TOP CAP**

(75) Inventor: **Abraham Gómez López**, Nuevo León (MX)

(73) Assignee: **Louisville Ladder Inc.**, Louisville, KY (US)

(**) Term: **14 Years**

(21) Appl. No.: **29/365,713**

(22) Filed: **Jul. 14, 2010**

(51) **LOC (9) Cl.** **25-04**

(52) **U.S. Cl.** **D25/68**

(58) **Field of Classification Search** D25/68;
182/120; 248/238, 210
See application file for complete search history.

(56) **References Cited**

U.S. PATENT DOCUMENTS

5,123,620 A * 6/1992 Bourne 248/210
6,729,439 B1 * 5/2004 Zlatis et al. 182/129
D541,433 S * 4/2007 Wise D25/68

D549,839 S * 8/2007 Zodnik D25/68

* cited by examiner

Primary Examiner—Doris Clark

(74) *Attorney, Agent, or Firm*—Egbert Law Offices PLLC

(57) **CLAIM**

The ornamental design for a ladder top cap, as shown and described.

DESCRIPTION

FIG. 1 is an upper perspective view of the ladder top cap showing my design.

FIG. 2 is a top plan view thereof;

FIG. 3 is a bottom plan view thereof;

FIG. 4 is a front elevation view thereof;

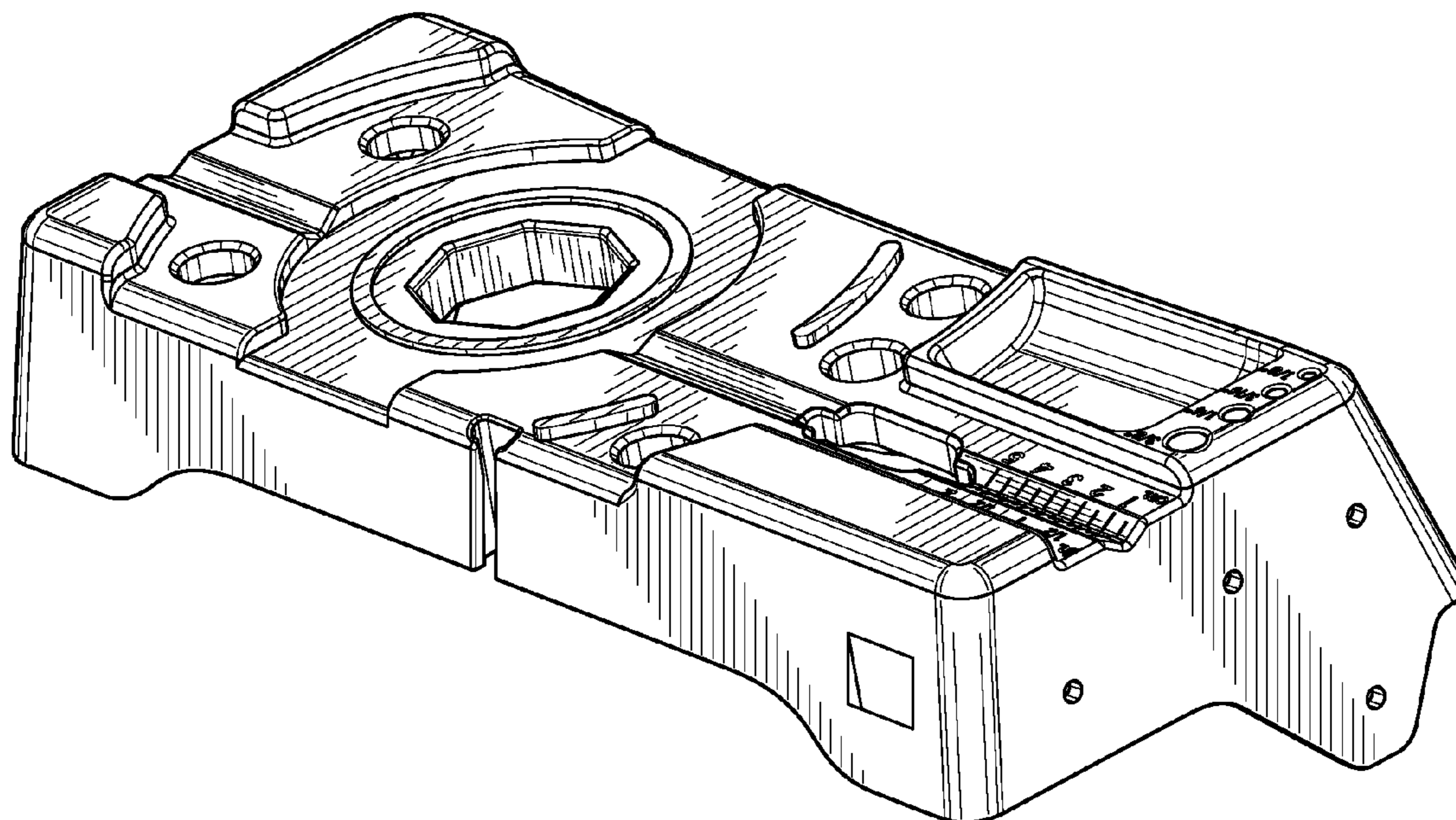
FIG. 5 is a back elevation view thereof;

FIG. 6 is a side view thereof; and,

FIG. 7 is an opposite side view thereof.

The ladder top cap is an attachment for a ladder.

1 Claim, 3 Drawing Sheets



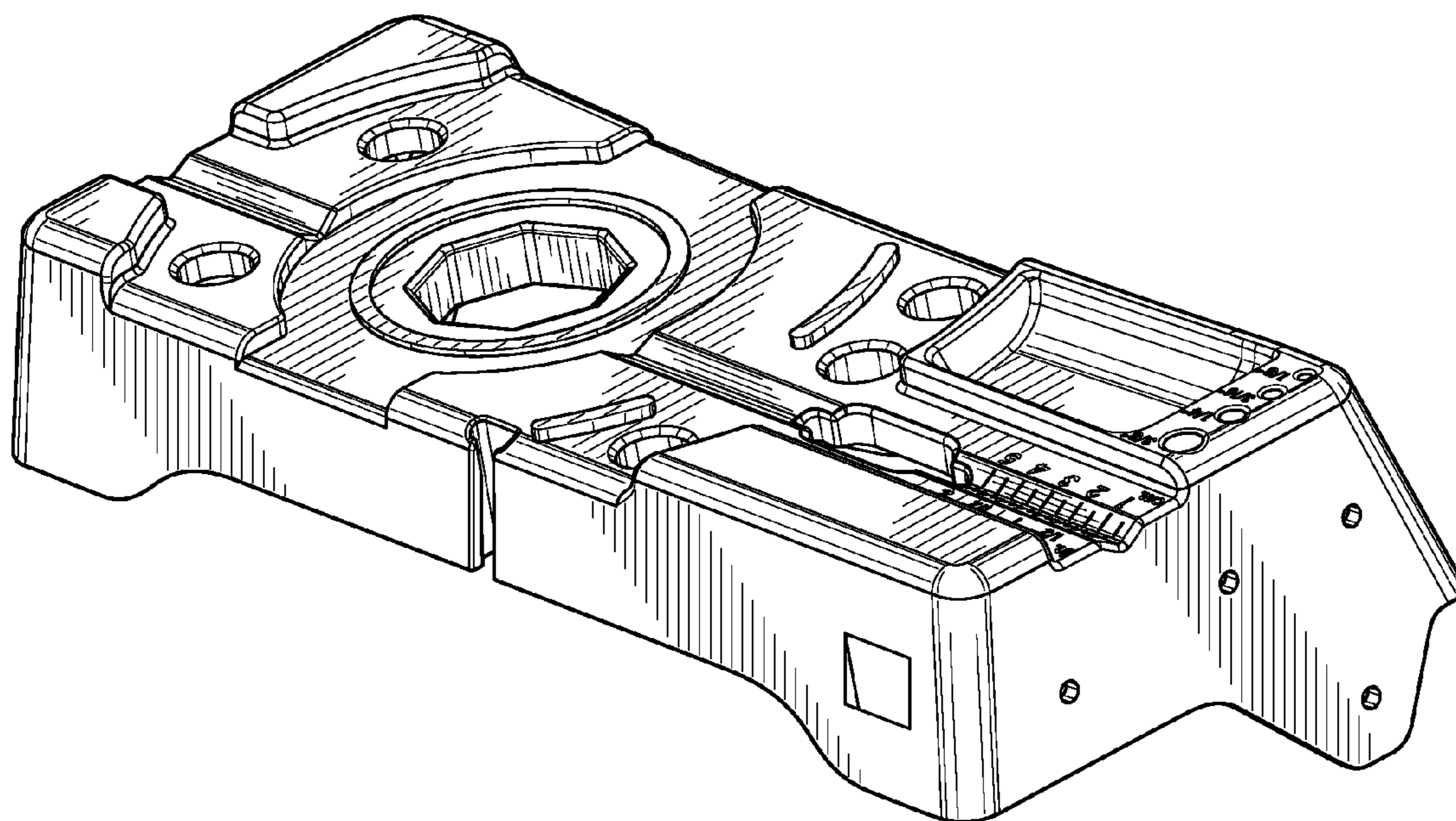


FIG. 1

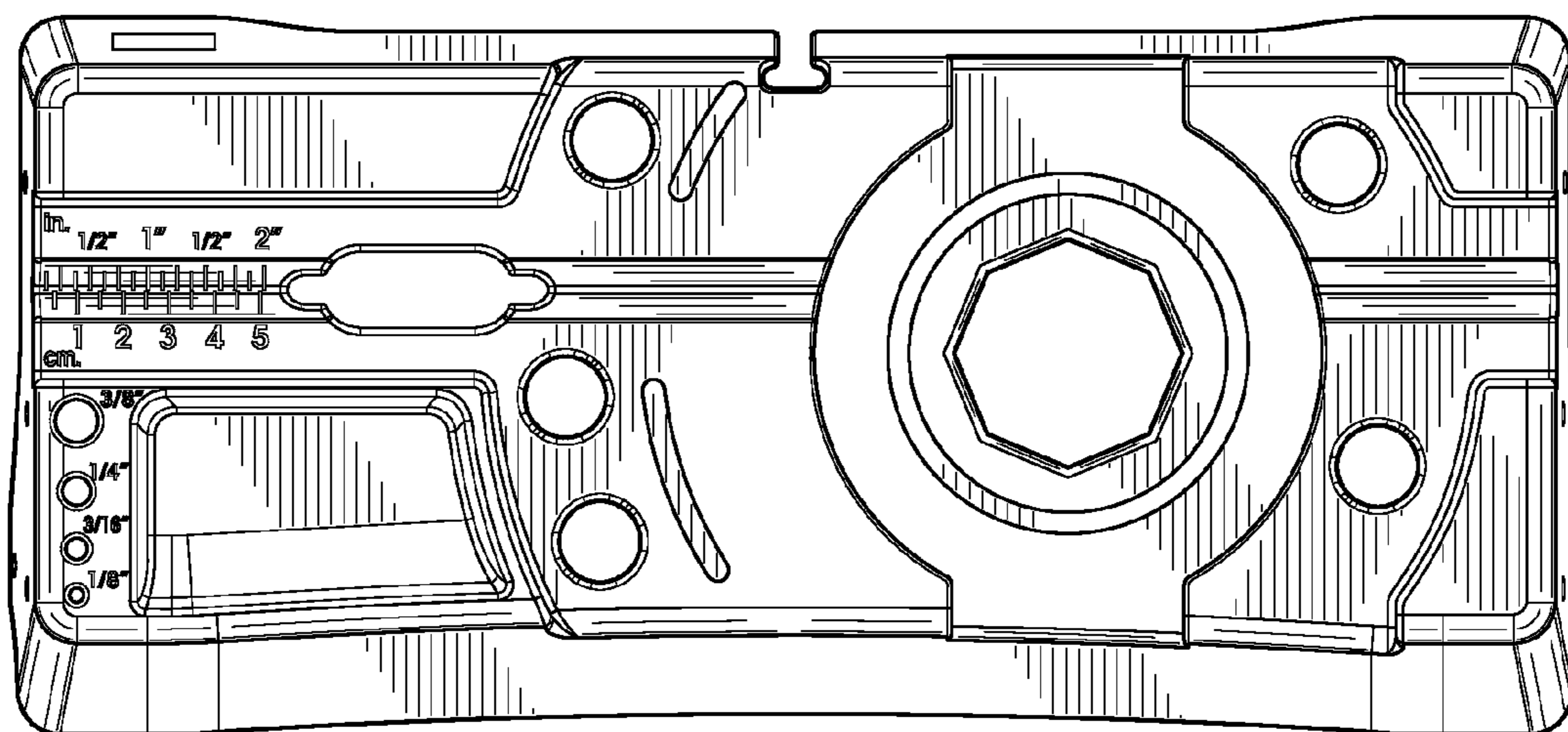


FIG. 2

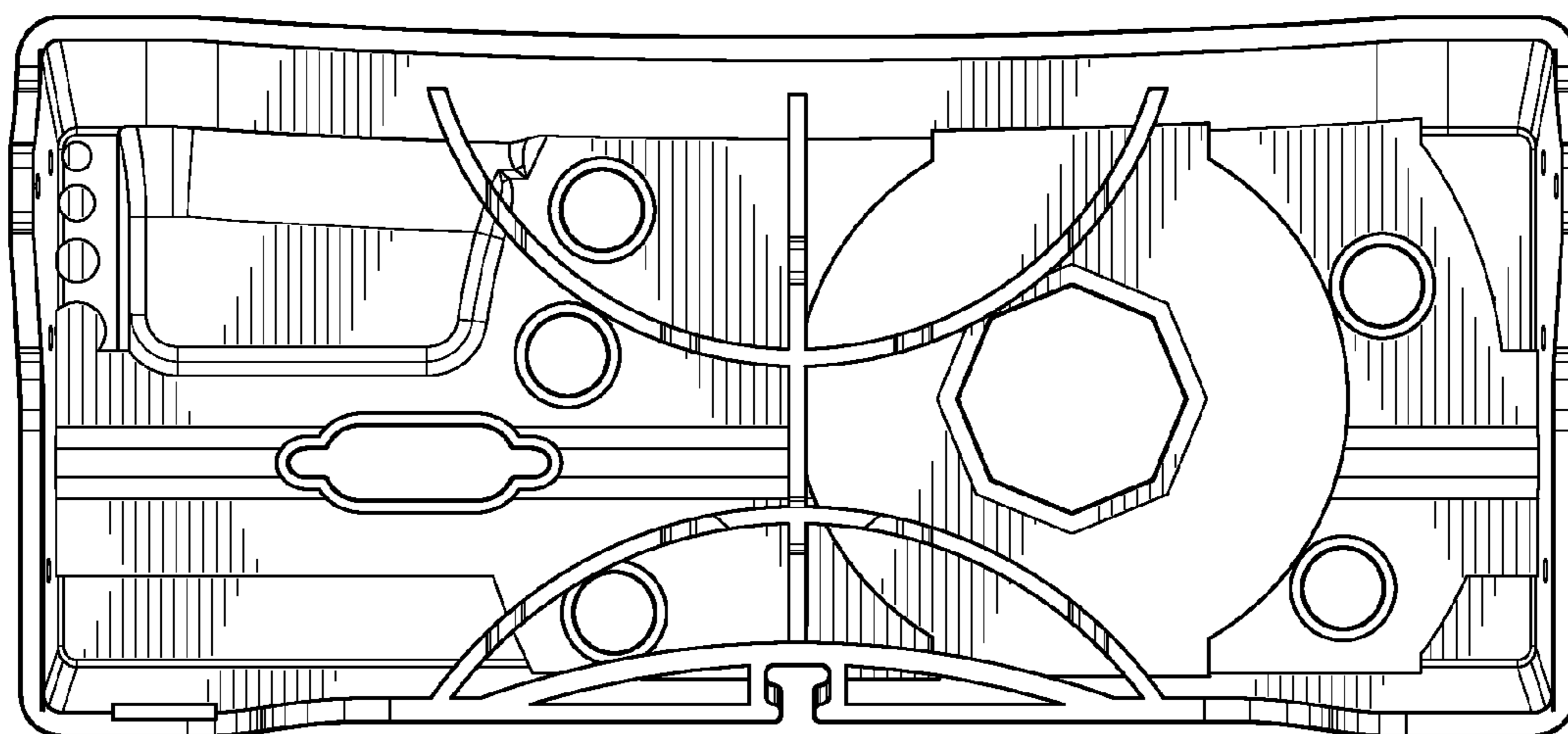


FIG. 3

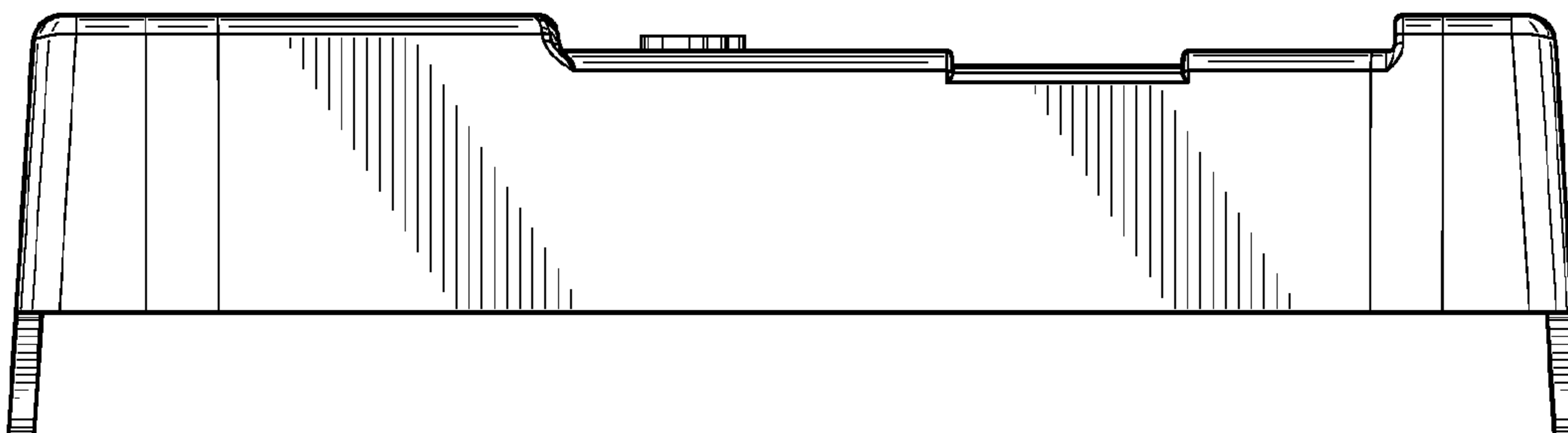


FIG. 4

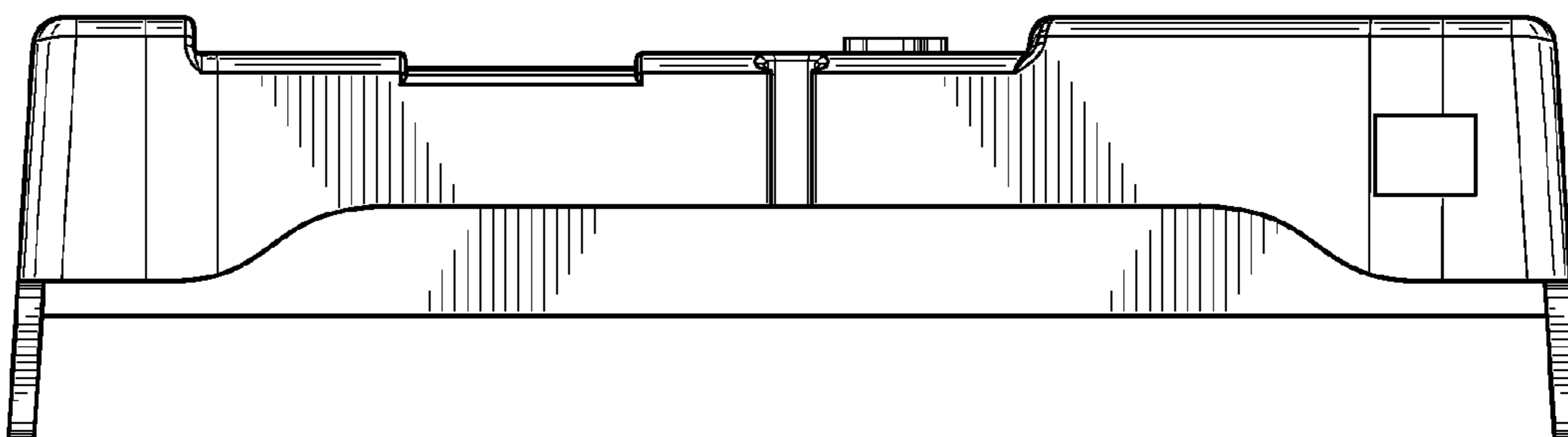


FIG. 5

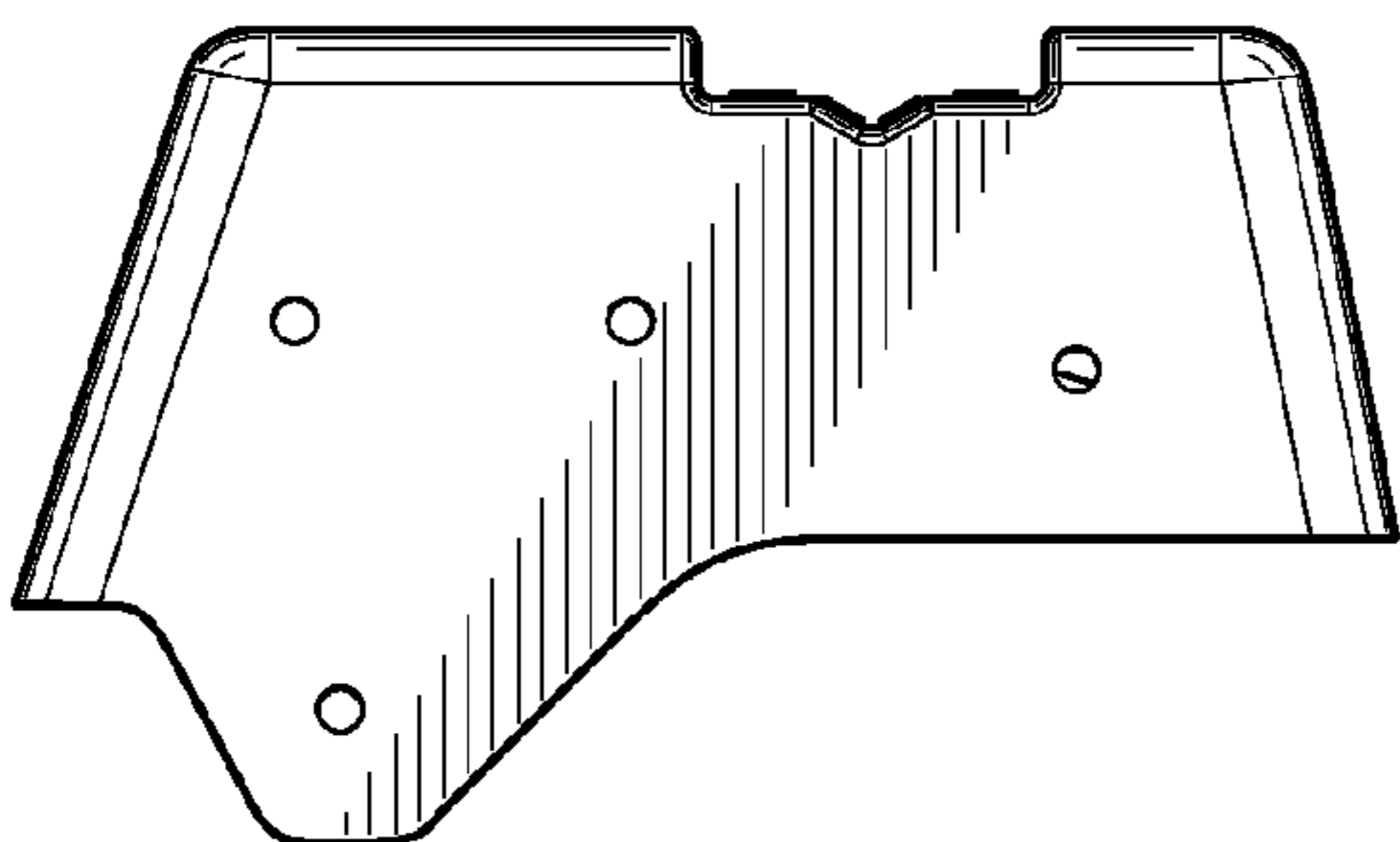


FIG. 6

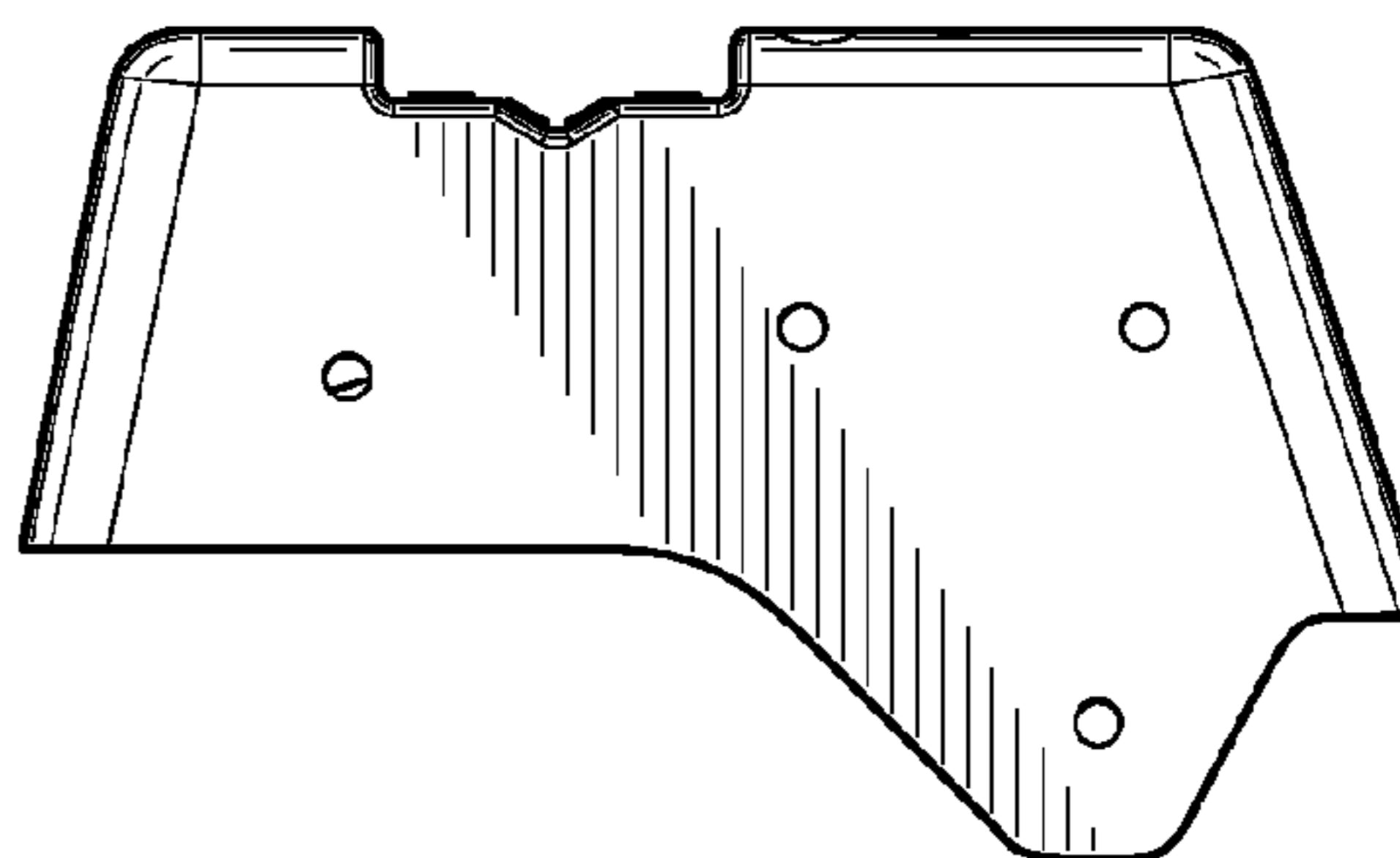


FIG. 7