



US00D627478S

(12) **United States Design Patent**
Guichardon

(10) **Patent No.:** **US D627,478 S**

(45) **Date of Patent:** **** *Nov. 16, 2010**

(54) **PIPETTE HAVING A LOWER PART WITH 8 CHANNELS**

6,019,004 A * 2/2000 Conley et al. 73/864.16
6,660,519 B2 * 12/2003 Hamilton 435/309.1
6,968,749 B2 * 11/2005 Chen et al. 73/863.32
2009/0117009 A1 * 5/2009 Cote 422/100

(75) Inventor: **Stephane Guichardon**, Bougival (FR)

(73) Assignee: **Gilson SAS**, Villiers le Bel (FR)

(*) Notice: This patent is subject to a terminal disclaimer.

(**) Term: **14 Years**

(21) Appl. No.: **29/339,714**

(22) Filed: **Jul. 6, 2009**

(30) **Foreign Application Priority Data**

Jan. 5, 2009 (EM) 001065700-0002

(51) **LOC (9) Cl.** **24-99**

(52) **U.S. Cl.** **D24/222**

(58) **Field of Classification Search** D24/216,
D24/222-226, 231, 232, 169; D10/80, 81;
422/99, 100, 102; 73/864.01, 864.11

See application file for complete search history.

(56) **References Cited**

U.S. PATENT DOCUMENTS

4,444,062 A * 4/1984 Bennett et al. 73/863.32
D279,710 S * 7/1985 Yonkers et al. D24/222
4,779,467 A * 10/1988 Rainin et al. 73/864.17
D325,974 S * 5/1992 Kalmakis et al. D24/222
D373,828 S * 9/1996 Malinoff et al. D24/222
5,983,733 A * 11/1999 Strandberg et al. 73/864.11

OTHER PUBLICATIONS

Non-Final Office Action for U.S. Appl. No. 29/339,713 mailed Jan. 15, 2010.

* cited by examiner

Primary Examiner—T. Chase Nelson

Assistant Examiner—Anhdao Doan

(74) *Attorney, Agent, or Firm*—Foley & Lardner LLP

(57) **CLAIM**

The ornamental design for a pipette having a lower part with 8 channels, as shown and described.

DESCRIPTION

FIG. 1 is a perspective front view of a pipette having a lower part with 8 channels, showing my new design;

FIG. 2 is a perspective rear view thereof;

FIG. 3 is a front view thereof;

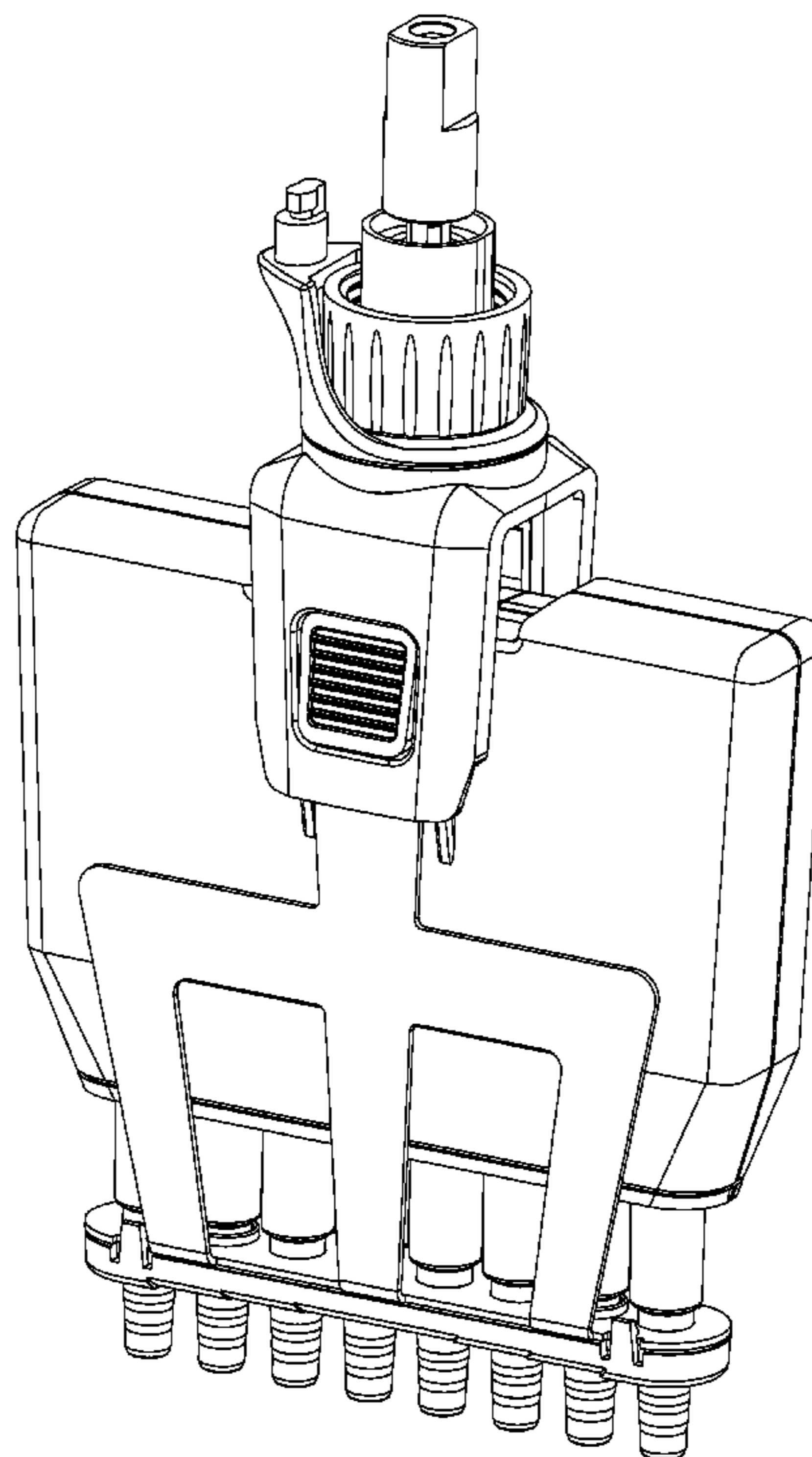
FIG. 4 is a rear view thereof;

FIG. 5 is a left view thereof;

FIG. 6 is a top view thereof; and,

FIG. 7 is a bottom view thereof with the bores in the bottom portion shown using broken lines, where the broken lines are for illustrative purposes only and form no part of the claimed design.

1 Claim, 7 Drawing Sheets



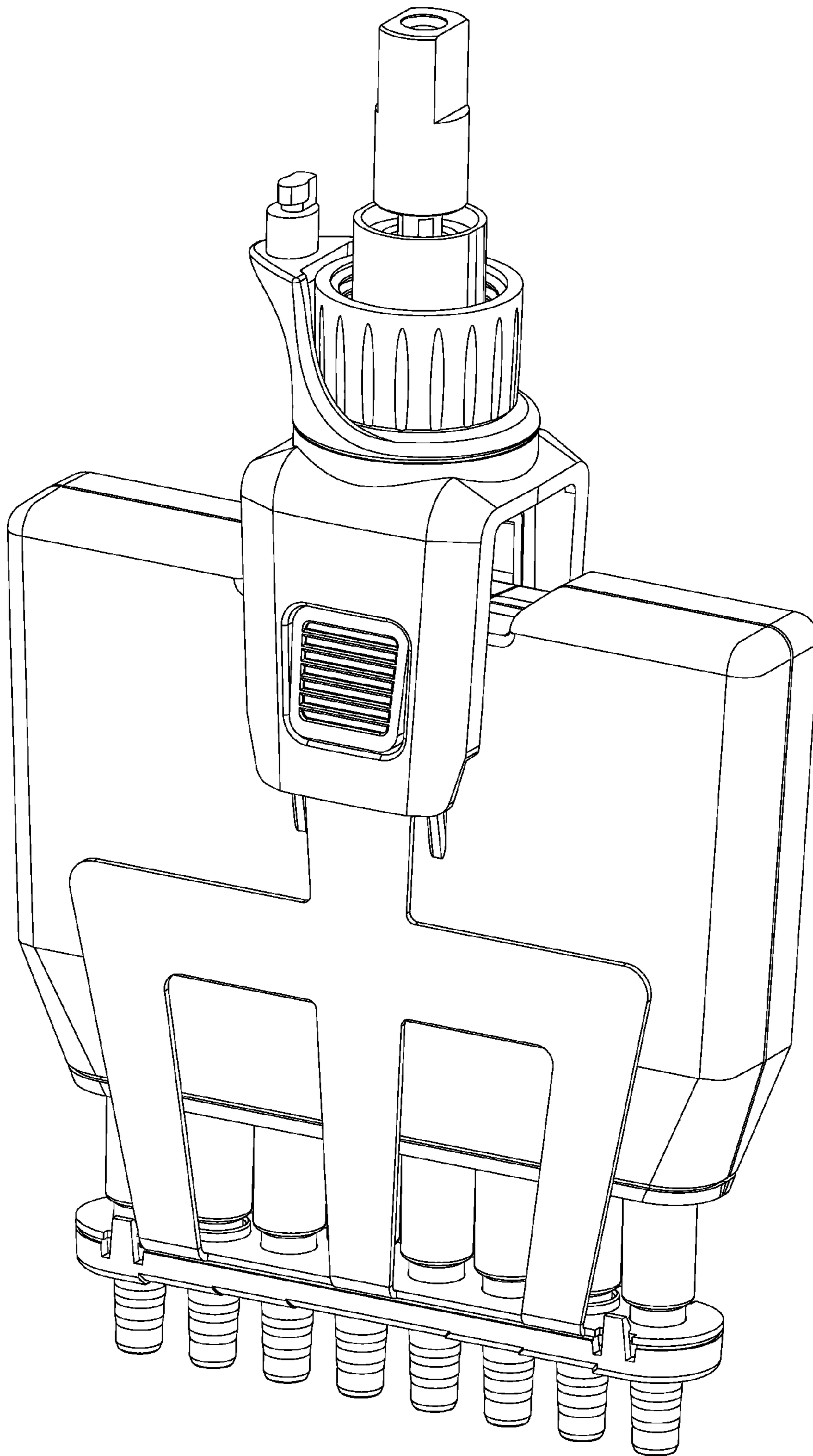


Fig. 1

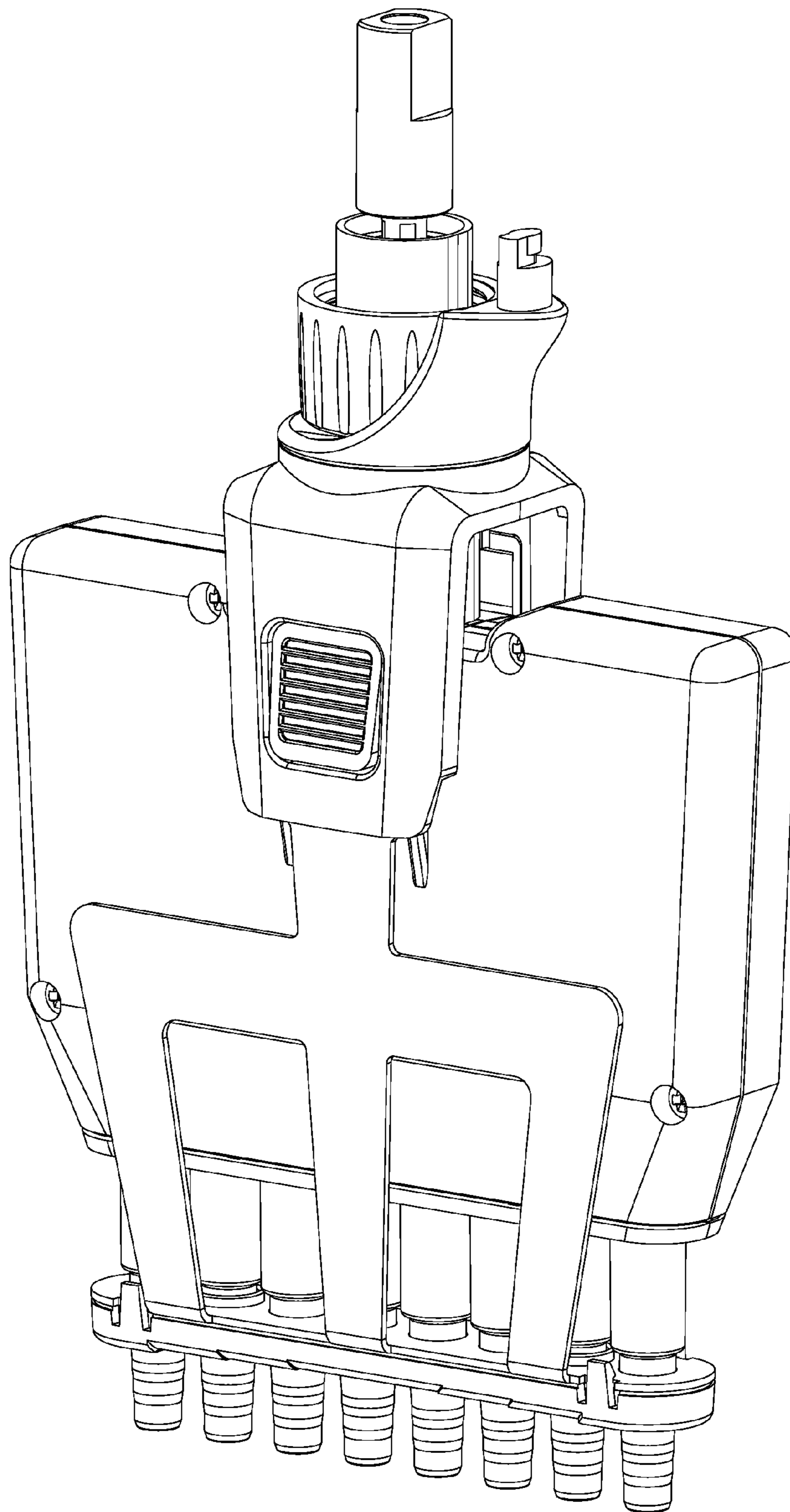


Fig. 2

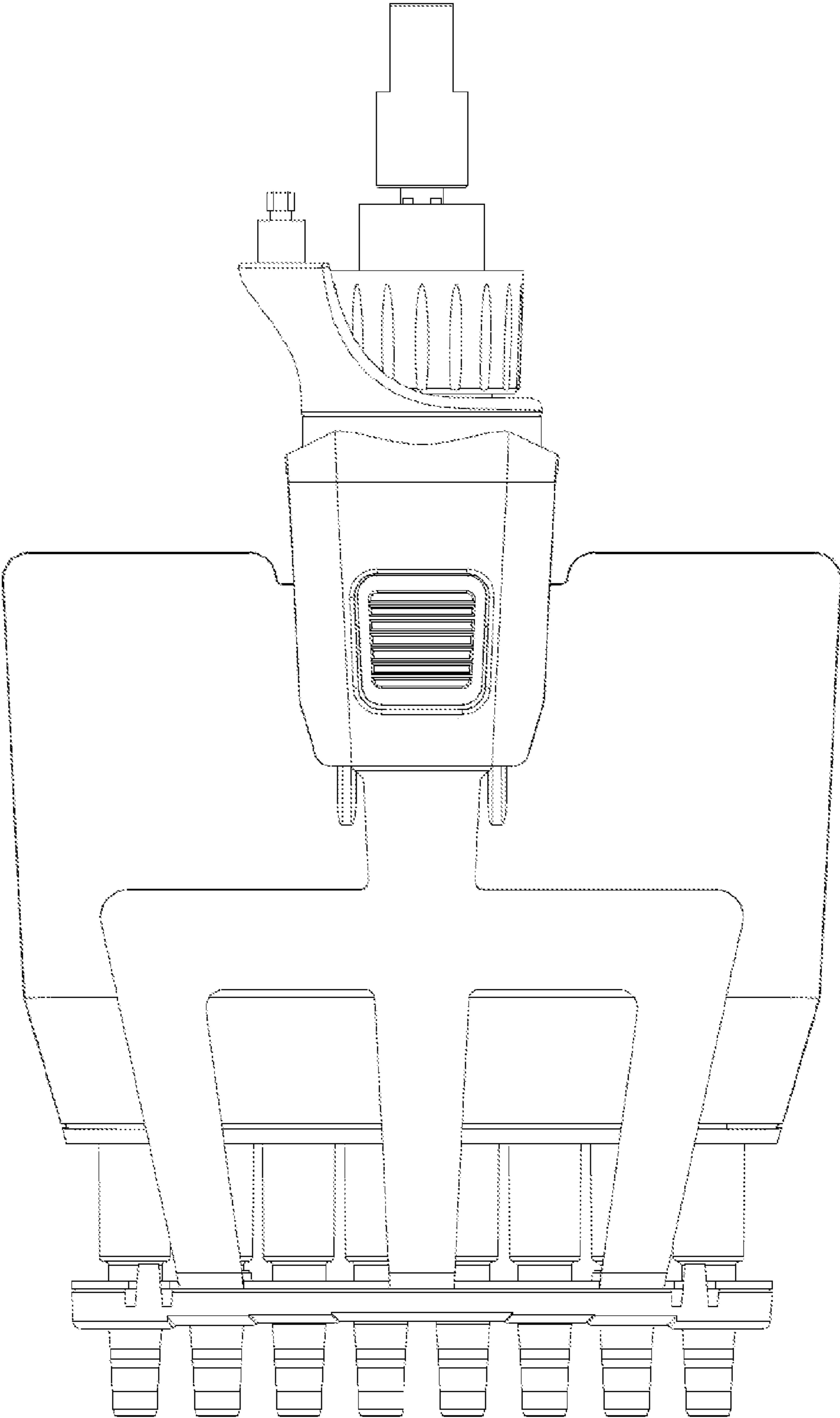


Fig. 3

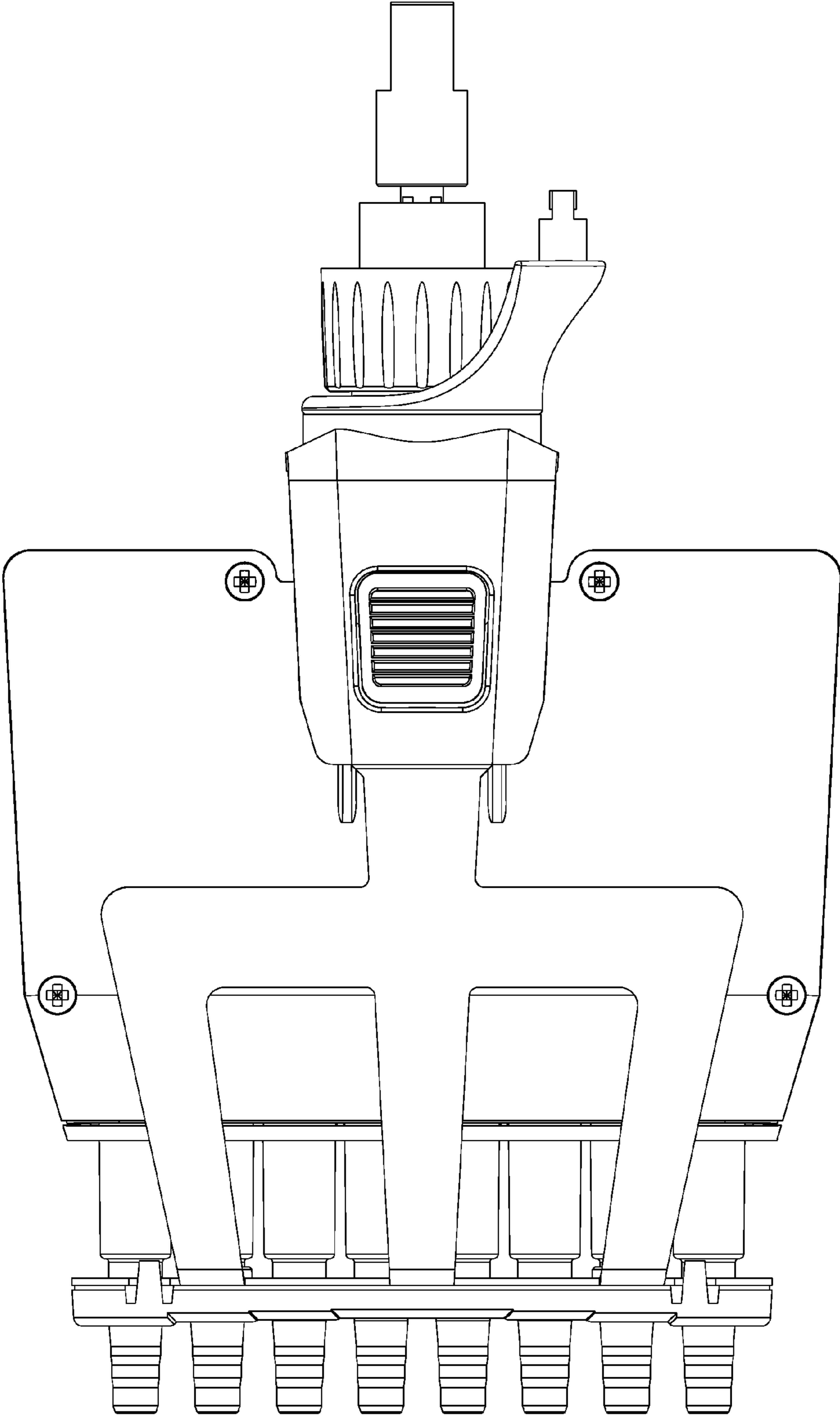


Fig. 4

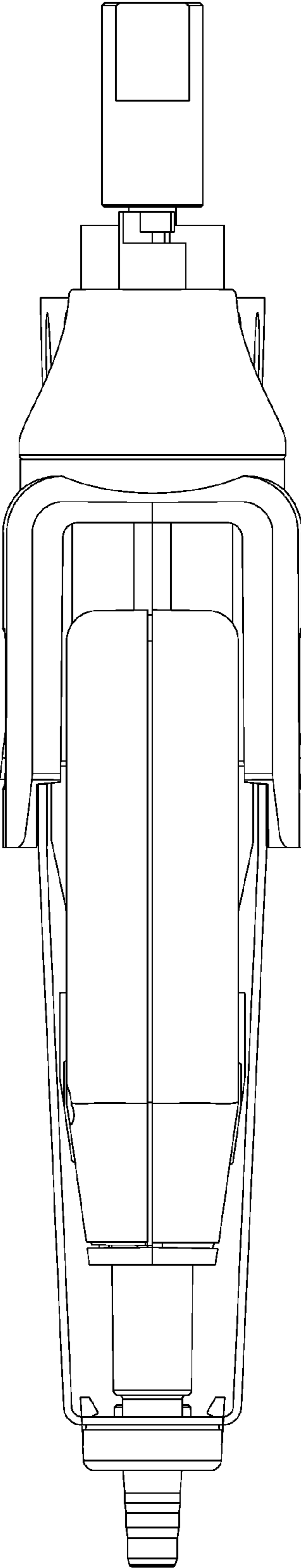


Fig. 5

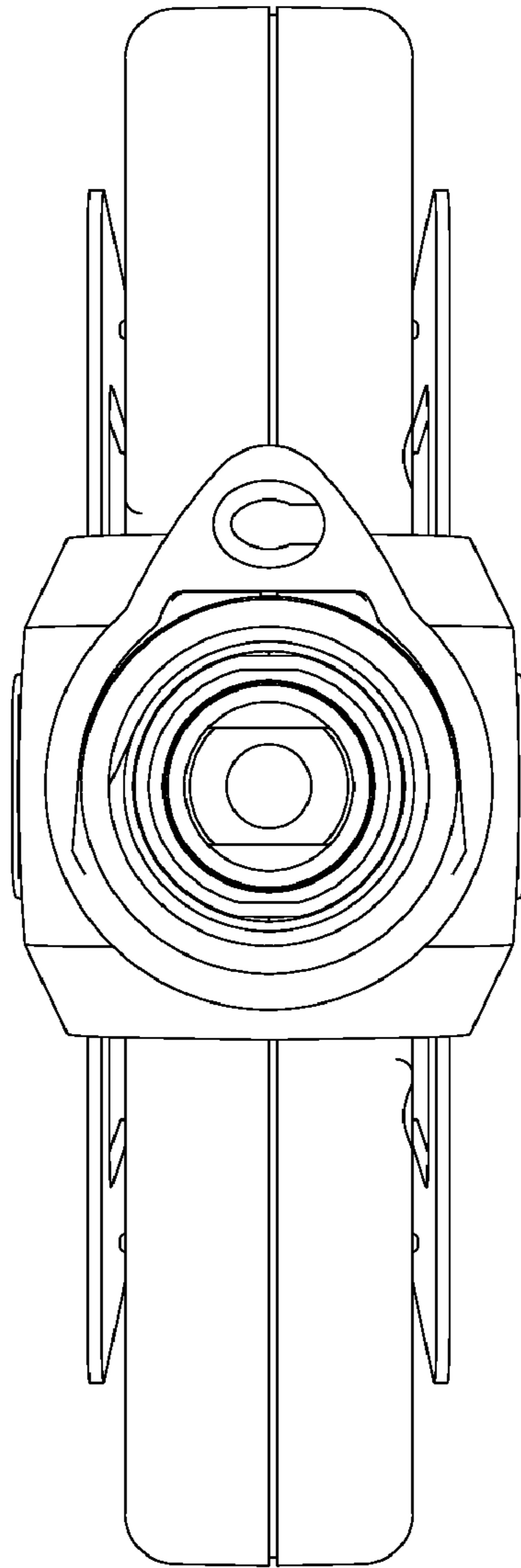


Fig. 6

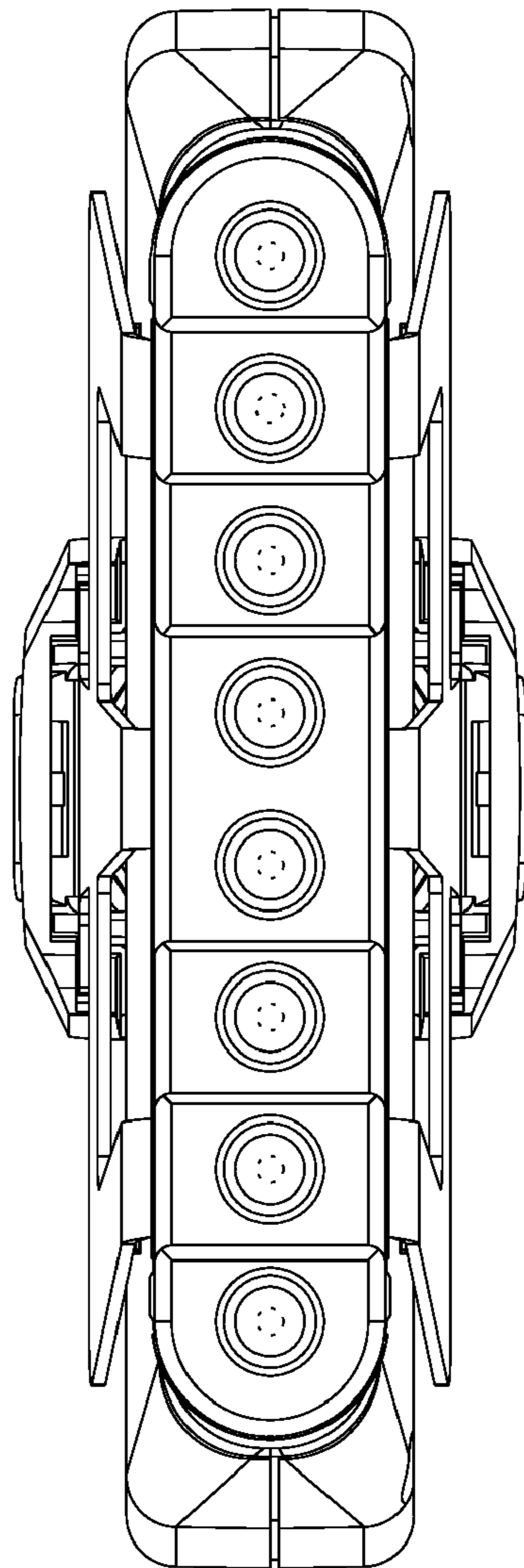


Fig. 7