



US00D627477S

(12) **United States Design Patent**
Guichardon

(10) **Patent No.:** **US D627,477 S**

(45) **Date of Patent:** **** Nov. 16, 2010**

(54) **PIPETTE HAVING A LOWER PART WITH 12 CHANNELS**

2009/0117009 A1* 5/2009 Cote 422/100

OTHER PUBLICATIONS

(75) Inventor: **Stephane Guichardon**, Bougival (FR)

Non-Final Office Action for U.S. Appl. No. 29/339,714 mailed Jan. 15, 2010.

(73) Assignee: **Gilson SAS**, Villiers le Bel (FR)

Final Office Action issued in U.S. Design Appl. No. 29/339,714 and mailed on May 12, 2010.

(**) Term: **14 Years**

* cited by examiner

(21) Appl. No.: **29/339,713**

Primary Examiner—T. Chase Nelson

Assistant Examiner—Anhdao Doan

(22) Filed: **Jul. 6, 2009**

(74) *Attorney, Agent, or Firm*—Foley & Lardner LLP

(30) **Foreign Application Priority Data**

(57) **CLAIM**

Jan. 5, 2009 (EM) 001065700-0001

The ornamental design for a Pipette having a lower part with 12 channels, as shown and described.

(51) **LOC (9) Cl.** **24-99**

(52) **U.S. Cl.** **D24/222**

(58) **Field of Classification Search** D24/216,
D24/222–226, 231, 232, 169; D10/80, 81;
422/99, 100, 102; 73/864.01, 864.11

DESCRIPTION

See application file for complete search history.

FIG. 1 is a perspective front view of a pipette having a lower part with 12 channels, showing my new design;

FIG. 2 is a perspective rear view thereof;

(56) **References Cited**

FIG. 3 is a rear view thereof;

U.S. PATENT DOCUMENTS

FIG. 4 is a front view thereof;

4,444,062 A * 4/1984 Bennett et al. 73/863.32

FIG. 5 is a left view thereof;

D279,710 S * 7/1985 Yonkers et al. D24/222

FIG. 6 is a top view thereof; and,

4,779,467 A * 10/1988 Rainin et al. 73/864.17

FIG. 7 is a bottom view thereof with the bores in the bottom portion shown using broken lines, where the broken lines are for illustrative purposes only and form no part of the claimed design.

D325,974 S * 5/1992 Kalmakis et al. D24/222

D373,828 S * 9/1996 Malinoff et al. D24/222

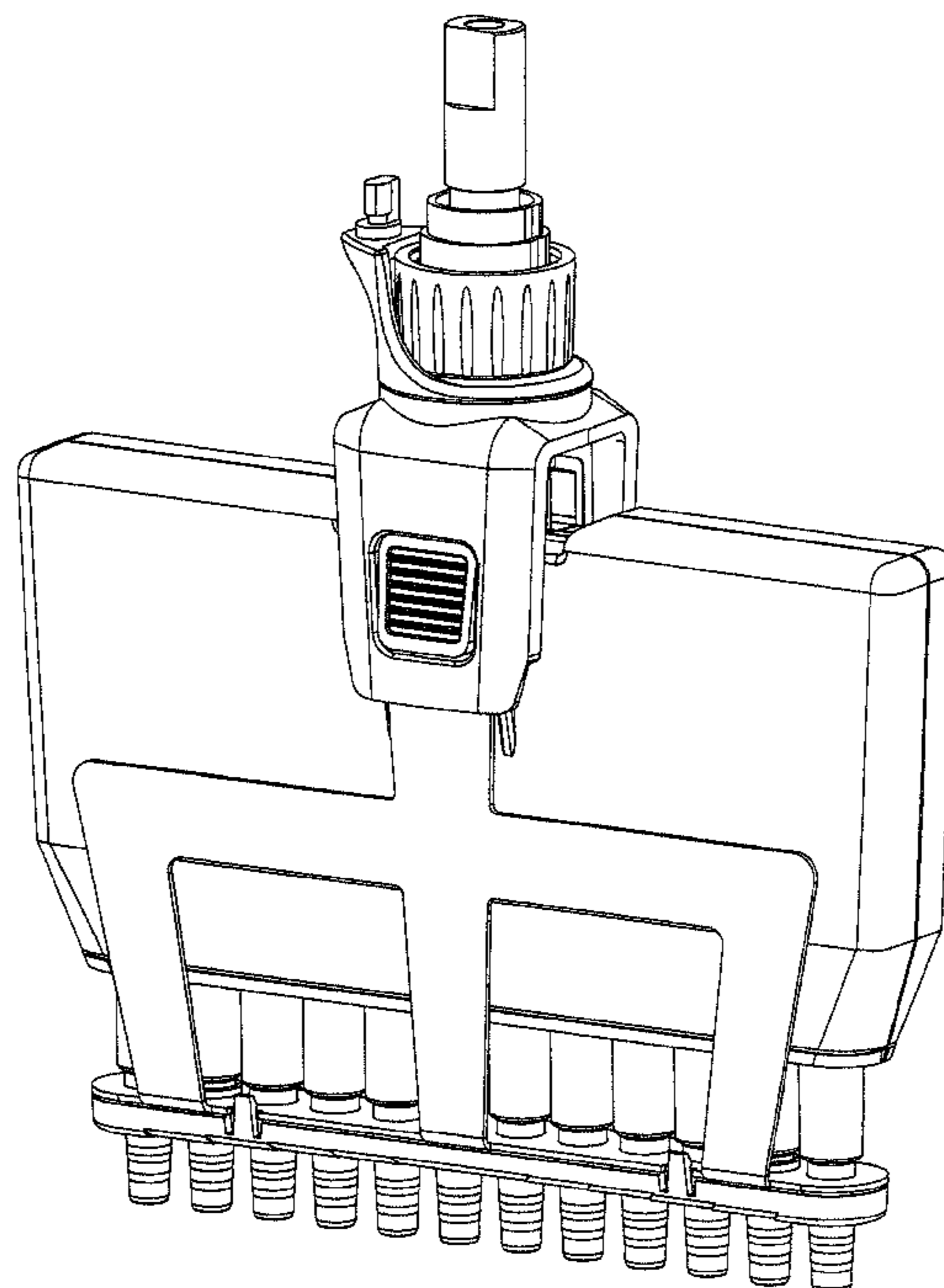
5,983,733 A * 11/1999 Strandberg et al. 73/864.11

6,019,004 A * 2/2000 Conley et al. 73/864.16

6,660,519 B2 * 12/2003 Hamilton 435/309.1

6,968,749 B2 * 11/2005 Chen et al. 73/863.32

1 Claim, 7 Drawing Sheets



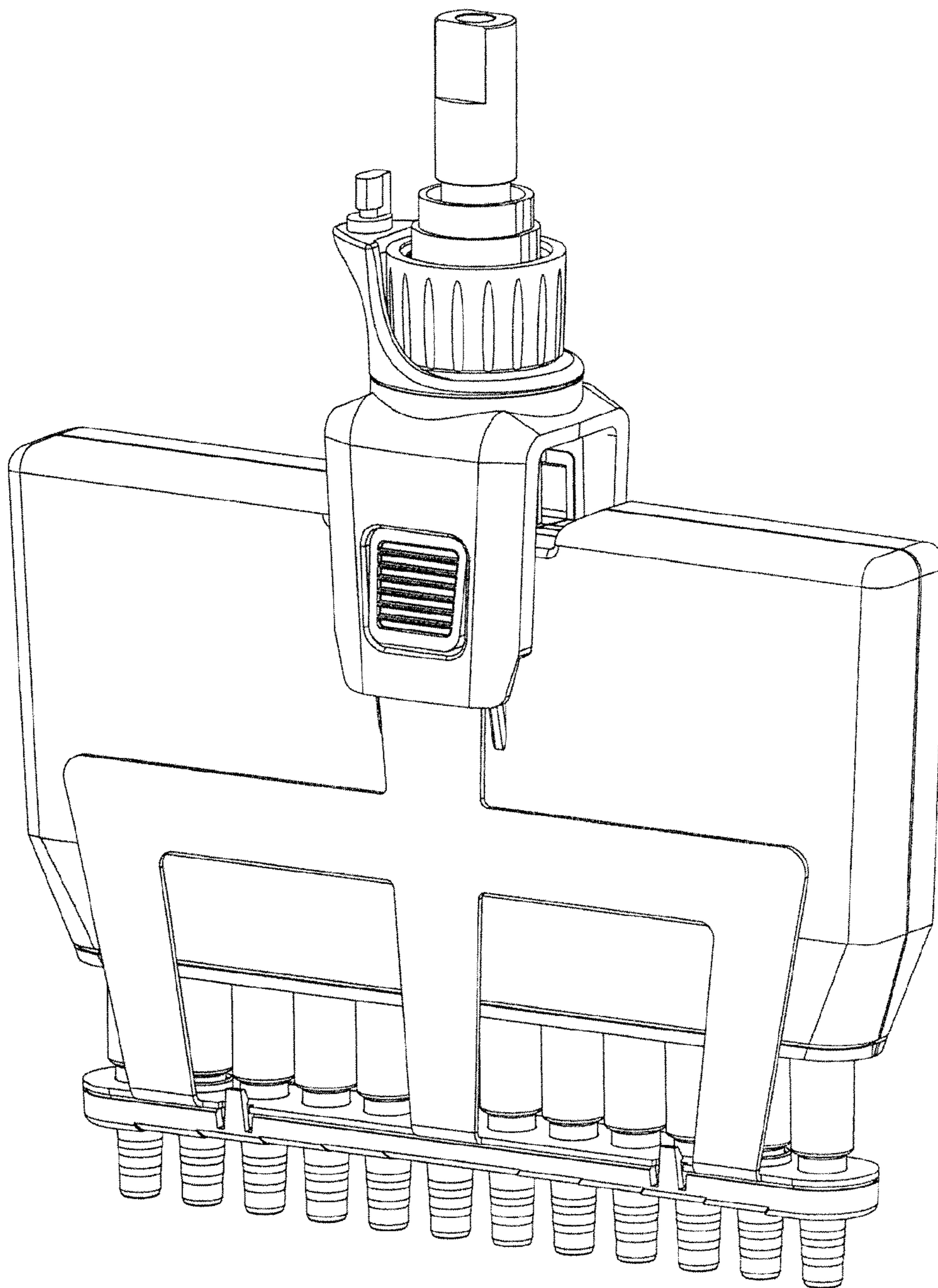


Fig. 1

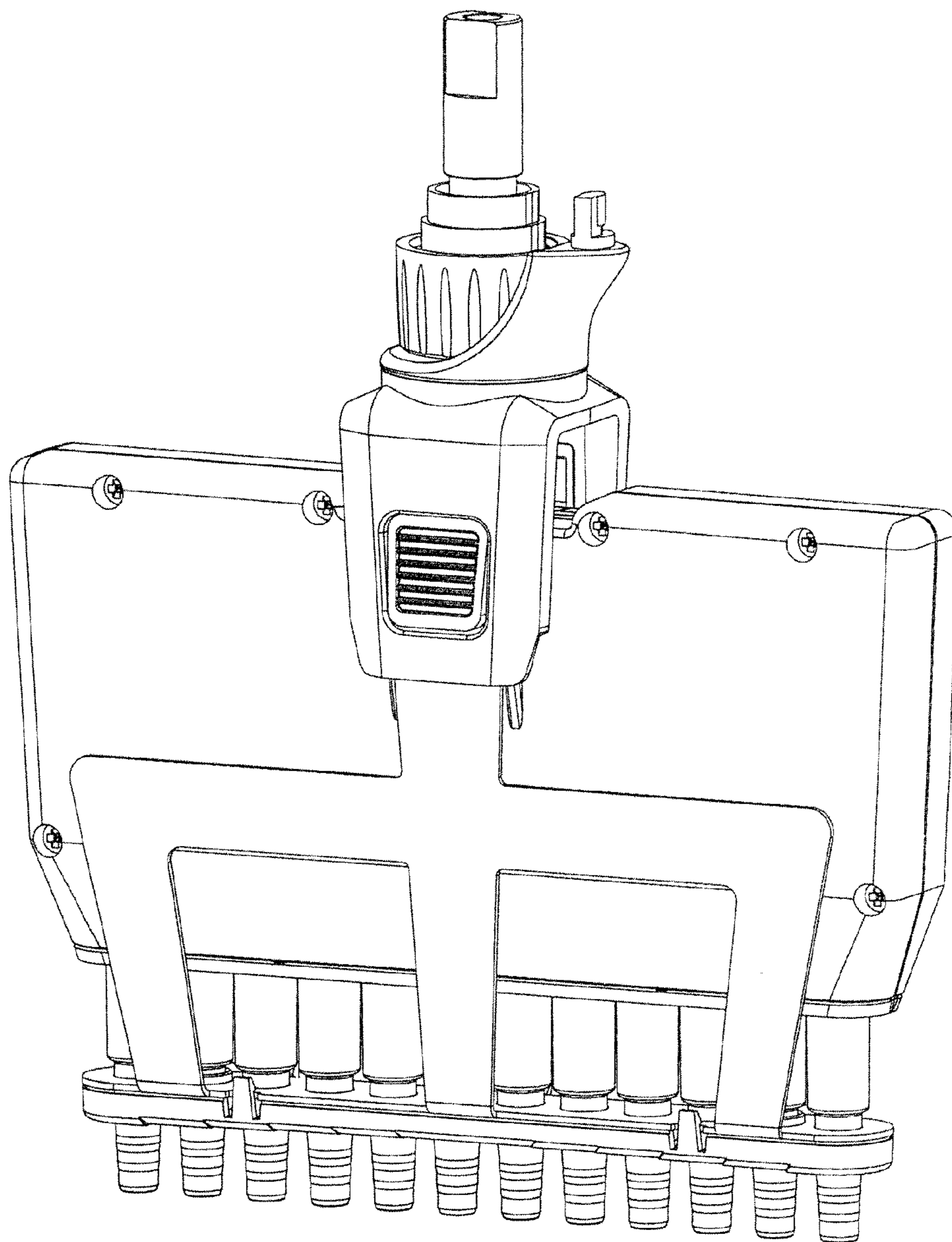


Fig. 2

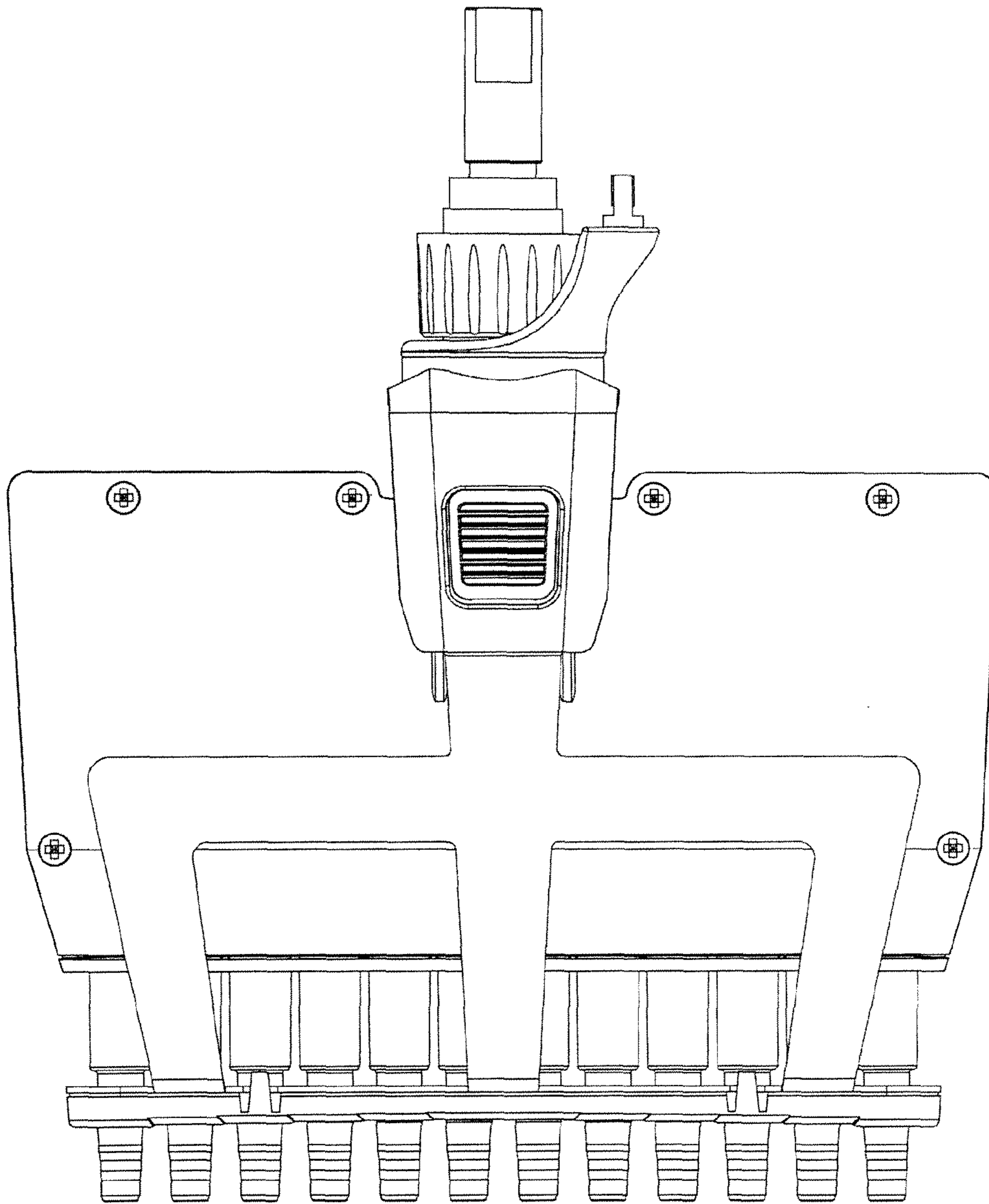


Fig. 3

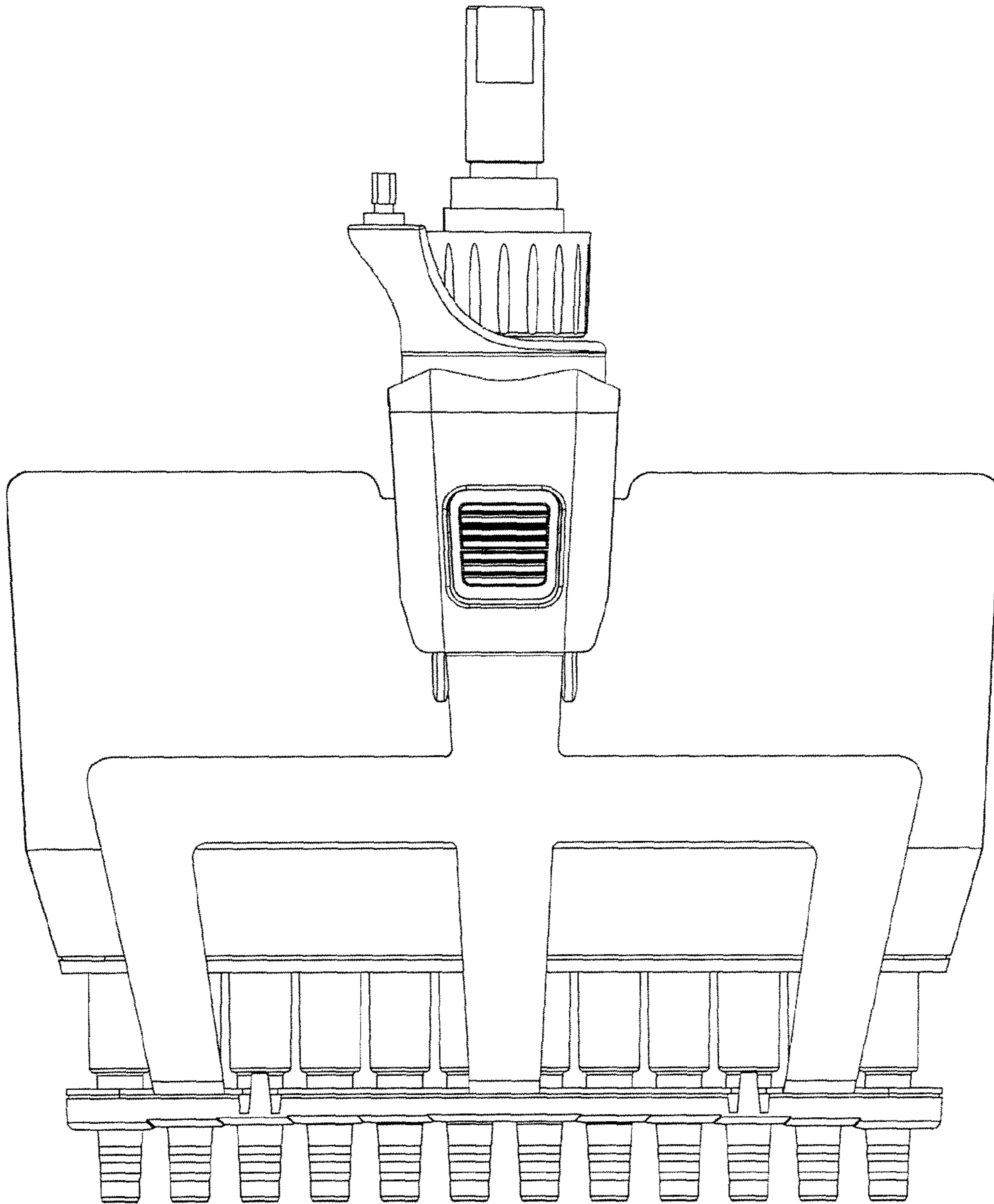


Fig. 4

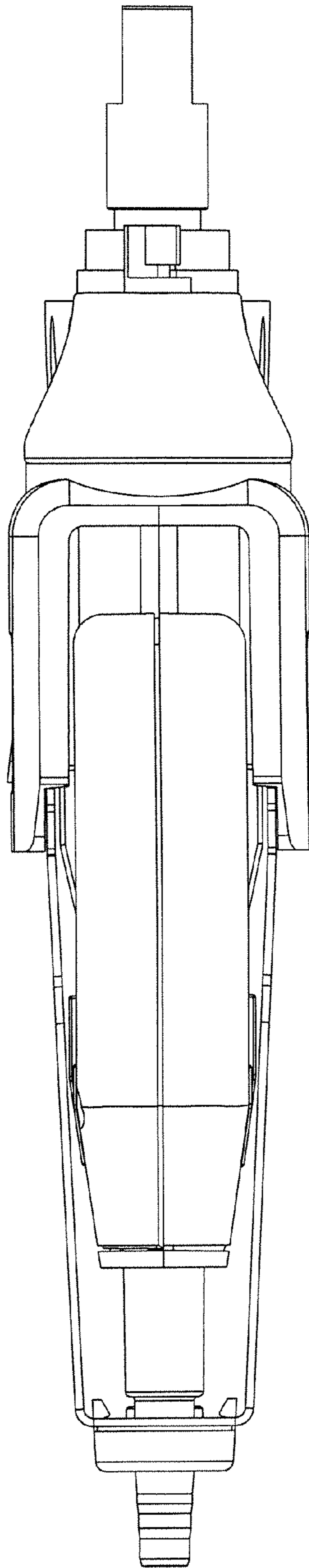


Fig. 5

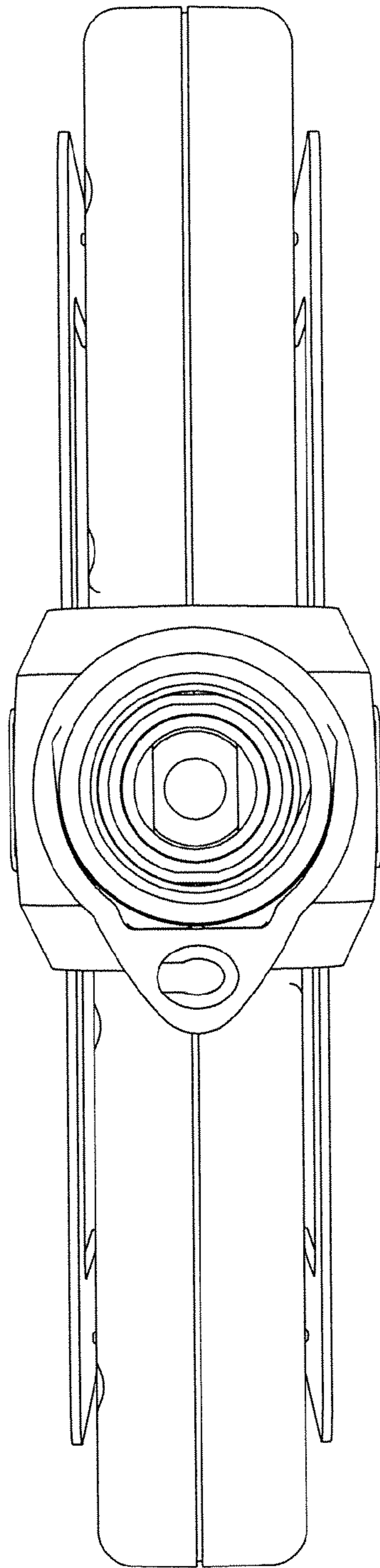


Fig. 6

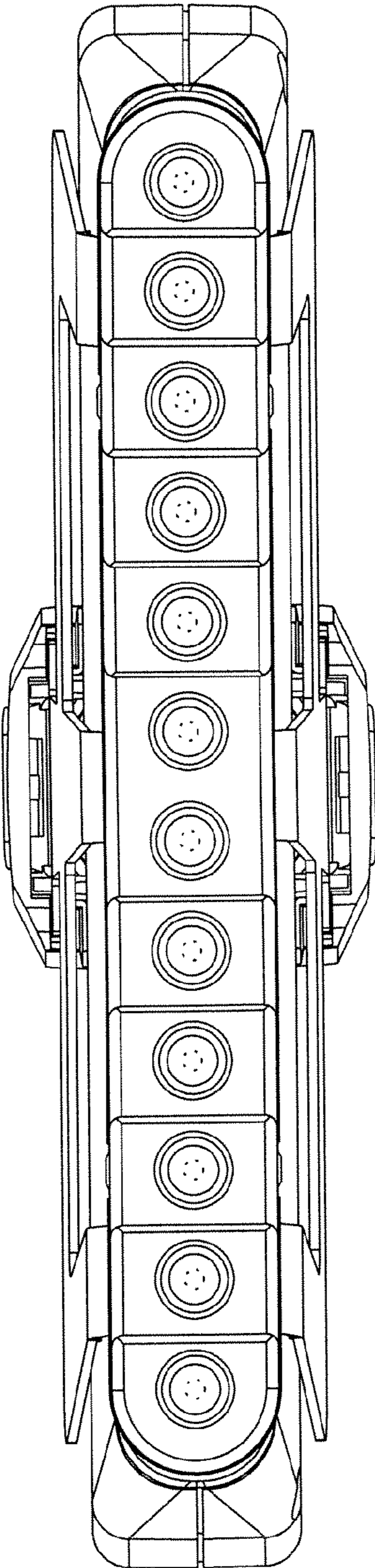


Fig. 7