

US00D627476S

(12) **United States Design Patent**
Gaw et al.

(10) **Patent No.:** **US D627,476 S**

(45) **Date of Patent:** **** Nov. 16, 2010**

(54) **MEDICAL PATIENT ADVISORY DEVICE**

D609,351 S * 2/2010 Wagener et al. D24/186

(75) Inventors: **Shan Gaw**, Seattle, WA (US); **Michael Bland**, Seattle, WA (US); **Peter D. Weiss**, Mercer Island, WA (US); **Kent W. Leyde**, Sammamish, WA (US); **John F. Harris**, Bellevue, WA (US)

OTHER PUBLICATIONS

Avanzini, G., "Is Tolerance to Antiepileptic Drugs Clinically Relevant?" *Epilepsia*, 2006, pp. 1285-1287, vol. 47, No. 8, Blackwell Publishing, Inc.

Curry, W.J. et al., "New Antiepileptic Drugs: Gabapentin, Lamotrigine, Felbamate, Topiramate and Fosphenytoin," *American Family Physician*, Feb. 1, 1998, 9 pages, vol. 57, No. 3.

Laroche, S.M. et al., "The New Antiepileptic Drugs," *Scientific Review, JAMA*, Feb. 4, 2004, pp. 605-614, vol. 291, No. 5.

Ochoa, J.G. et al., "Antiepileptic Drugs: An Overview," *eMedicine.com, WebMD*, updated Sep. 26, 2006, 26 pages.

Adjouadi, M. et al., "A New Mathematical Approach Based on Orthogonal Operators for the Detection of Interictal Spikes in Epileptogenic Data," Presented at Rocky Mountain Bioengineering Symposium & International ISA Biomedical Sciences Instrumentation Symposium, 2004, pp. 175-180.

(73) Assignee: **NeuroVista Corporation**, Seattle, WA (US)

(**) Term: **14 Years**

(21) Appl. No.: **29/284,040**

(22) Filed: **Aug. 29, 2007**

(51) **LOC (9) Cl.** **24-01**

(52) **U.S. Cl.** **D24/186**

(58) **Field of Classification Search** D24/107,
D24/158, 164, 165, 167-169, 170, 186-187,
D24/231, 144, 216; D13/101, 106, 108,
D13/162; D14/46, 125; 422/1, 61, 68.1,
422/99-104, 129; 600/300, 301, 368, 372,
600/481, 529, 544, 554, 561; D10/46, 75,
D10/81

See application file for complete search history.

(Continued)

Primary Examiner—T. Chase Nelson

Assistant Examiner—Mark Cavanna

(74) *Attorney, Agent, or Firm*—Fenwick & West LLP

(56) **References Cited**

U.S. PATENT DOCUMENTS

D286,280	S	*	10/1986	Holtman et al.	D13/101
D287,052	S	*	12/1986	Avoy et al.	D24/165
D300,359	S	*	3/1989	Lee et al.	D10/46
D310,120	S	*	8/1990	Wickham et al.	D24/186
D311,062	S	*	10/1990	Nelson	D24/186
D330,768	S	*	11/1992	Yoshikawa et al.	D24/165
D396,108	S	*	7/1998	Garito et al.	D24/144
D535,031	S	*	1/2007	Barrett et al.	D24/186
D583,950	S	*	12/2008	Itonaga et al.	D24/165
D597,216	S	*	7/2009	McGuigan et al.	D24/216
D598,098	S	*	8/2009	Tanaka	D24/144
D598,100	S	*	8/2009	Tanaka	D24/107
D598,402	S	*	8/2009	Huang et al.	D14/125
D598,403	S	*	8/2009	Huang et al.	D14/125
D599,744	S	*	9/2009	Reedy	D13/162

(57) **CLAIM**

The ornamental design for a medical patient advisory device, as shown and described.

DESCRIPTION

FIG. 1 is a front perspective view of a medical patient advisory device showing the new design;

FIG. 2 is a front elevation view thereof;

FIG. 3 is a rear elevation view thereof;

FIG. 4 is a left-side elevation view thereof;

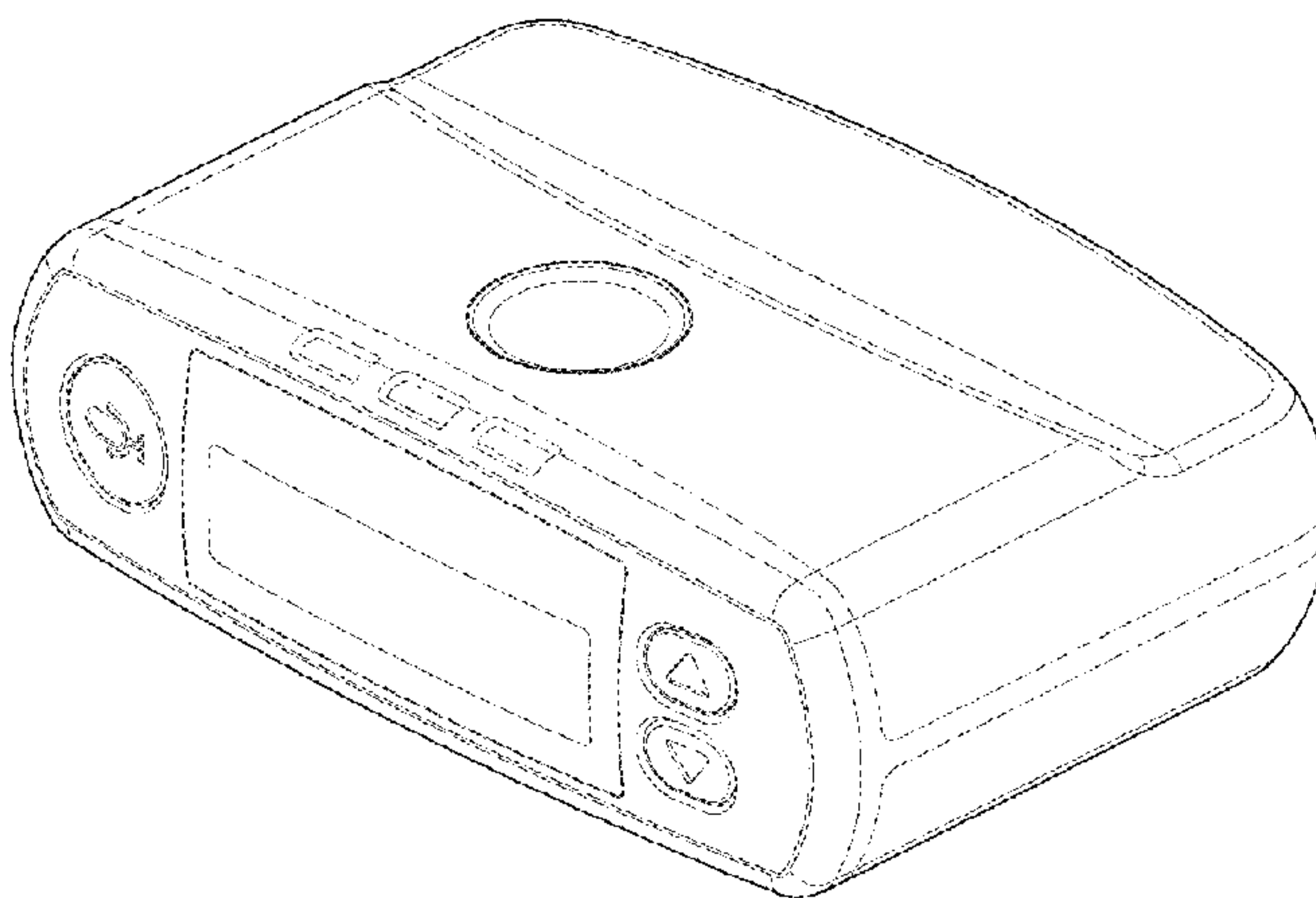
FIG. 5 is a right-side elevation view thereof;

FIG. 6 is a top plan view thereof; and,

FIG. 7 is a bottom plan view thereof.

The broken line showings are for illustrative purposes only and form no part of the claimed design.

1 Claim, 5 Drawing Sheets



OTHER PUBLICATIONS

- Adjouadi, M. et al., "Interictal Spike Detection Using the Walsh Transform," *IEEE Transactions on Biomedical Engineering*, May 2004, pp. 868-872, vol. 51, No. 5.
- Adjouadi, M. et al., "Detection of Interictal Spikes and Artifactual Data Through Orthogonal Transformations," *Journal of Clinical Neurophysiology*, Feb. 2005, pp. 53-64, vol. 22, No. 1.
- Aksenova, T.I. et al., "On-Line Disharmony Detection for Early Prediction of Epilepsy Seizure Onset," 2003, 2 pages.
- Aksenova, T.I. et al., "Nonparametric On-Line Detection of Changes in Signal Spectral Characteristics for Early Prediction of Epilepsy Seizure Onset," *Journal of Automation and Information Sciences*, 2004, pp. 35-45, vol. 36, No. 8.
- Andrzejak, R.G. et al., "Testing the Null Hypothesis of the Nonexistence of a Preseizure State," *Physical Review*, 2003, pp. 1-4, the American Physical Society, vol. 67, No. 010901(R).
- Andrzejak, R.G. et al., "Bivariate Surrogate Techniques: Necessity, Strengths, and Caveats," *Physical Review*, 2003, pp. 1-15, The American Physical Society, vol. 68, No. 066202.
- Aschenbrenner-Scheibe, R. et al., "How Well Can Epileptic Seizures be Predicted? An Evaluation of a Nonlinear Method," *Brain*, Sep. 23, 2003, pp. 2616-2626, vol. 126.
- Bangham, A.D. et al., "Diffusion of Univalent Ions Across the Lamellae of Swollen Phospholipids," *J. Mol. Biol.*, 1965, pp. 238-252, vol. 13.
- Baruchi, I. et al., "Functional Holography of Recorded Neuronal Networks Activity," *Neuroinformatics*, 2004, pp. 333-352, vol. 4.
- Baruchi, I. et al., *Functional Holography of Complex Networks Activity—From Cultures to the Human Brain*, Complexity, 2005, pp. 38-51, vol. 10, No. 3, Wiley Periodicals, Inc.
- Ben-Hur, A. et al., "Detecting Stable Clusters Using Principal Component Analysis," in *Methods in Molecular Biology*, 2003 pp. 1-23.
- Bergey, G.K. et al., "Epileptic Seizures are Characterized by Changing Signal Complexity," *Clinical Neurophysiology*, 2001, pp. 1-9, Elsevier.
- Betterton, P. et al., "Determining State of Consciousness from the Intracranial Electroencephalogram (IEEG) for Seizure Prediction," *Proceedings of the 22nd IASTED International Conference Modeling, Identification and Control*, Feb. 10-13, 2003, Innsbruck, Austria, pp. 313-317.
- Bhattacharya, J. et al., "Enhanced Phase Synchrony in the Electroencephalograph γ Band for Musicians While Listening to Music," *Physical Review*, 2001, pp. 1-4, the American Physical Society, vol. 64, No. 012902.
- Boley, D. et al., "Training Support Vector Machine Using Adaptive Clustering," *Proceedings of the Fourth SIAM International Conference on Data Mining*, 2004, 12 pages.
- Burges, C.J.C., "A Tutorial on Support Vector Machines for Pattern Recognition," *Data Mining and Knowledge Discovery*, 1998, pp. 121-167, vol. 2, Kluwer Academic Publishers.
- Cao, Y. et al., "Detecting Dynamical Changes in Time Series Using the Permutation Entropy," *Physical Review*, 2004, pp. 1-7, vol. 70, No. 046217.
- Carretero-González, R. et al., "Scaling and Interleaving of Subsystem Lyapunov Exponents for Spatio-Temporal Systems," *Chaos*, Jun. 1999, pp. 466-482, vol. 9, No. 2.
- Casdagli, M.C. et al., "Nonlinear Analysis of Mesial Temporal Lobe Seizures Using a Surrogate Data Technique," *Epilepsia*, Annual Meeting of the American Epilepsy Society, Baltimore, Maryland, Dec. 1-6, 1995, p. 142, vol. 36, Suppl. 4.
- Casdagli, M.C. et al., "Characterizing Nonlinearity in Invasive EEG Recordings from Temporal Lobe Epilepsy," *Physica D*, Dec. 15, 1996, pp. 1-17, vol. 99, Issues 2-3.
- Casdagli, M.C. et al., "Non-Linearity in Invasive EEG Recordings from Patients with Temporal Lobe Epilepsy," *Electroencephalography and Clinical Neurophysiology*, Feb. 1997, pp. 1-10, Vol. 102, Issue 2.
- Cerf, R. et al., "Criticality and Synchrony of Fluctuations in Rhythmic Brain Activity: Pretransitional Effects in Epileptic Patients," *Biological Cybernetics*, Mar. 30, 2004, pp. 239-255, vol. 903.
- Chaovaitwongse, W. et al., "EEG Classification in Epilepsy," Jun. 30, 2004, *Annals.tex*, pp. 1-32, vol. 2, No. 37, Kluwer Academic Publishers, Netherlands.
- Chaovaitwongse, W. et al., "Performance of a Seizure Warning Algorithm Based on the Dynamics of Intracranial EEG," *Epilepsy Research*, 2003, pp. 1-46, vol. 64, Issue 3.
- Chaovaitwongse, W.A. et al., "Reply to Comments on 'Performance of a Seizure Warning Algorithm Based on the Dynamics of Intracranial EEG' by Winterhalder, M., Schelter, B., Achulze-Bonhage, A., Timmer, J.," *Epilepsy Research*, Jul. 31, 2006, pp. 82-84, vol. 72, Elsevier.
- Chávez, M. et al., "Spatio-Temporal Dynamics Prior to Neocortical Seizures: Amplitude Versus Phase Couplings," *IEEE Transactions on Biomedical Engineering*, May 2003, pp. 571-583, vol. 50 No. 5.
- Chrichton, M., "The Terminal Man," 1972, pp. 21-24, 32-33, 70-81, Alfred A. Knopf, New York.
- D'Alessandro, M. et al., "A Multi-Feature and Multi-Channel Univariate Selection Process for Seizure Prediction," *Clinical Neurophysiology*, 2005, pp. 506-516, vol. 116.
- D'Alessandro, M. et al., "Epileptic Seizure Prediction Using Hybrid Feature Selection Over Multiple Intracranial EEG Electrode Contacts: A Report of Four Patients," *IEEE Transactions on Biomedical Engineering*, May 2003, pp. 603-615, vol. 50, No. 5.
- Drury, I. et al., "Seizure Prediction Using Scalp Electroencephalogram," *Experimental Neurology*, 2003, pp. S9-S18, vol. 184.
- Ebersole, J.S., "In Search of Seizure Prediction: A Critique," *Clinical Neurophysiology*, 2005, pp. 489-492, vol. 116.
- Ebersole, J.S., "Functional Neuroimaging with EEG Source Models to Localize Epileptogenic Foci Noninvasively," *Neurology*, Available at <http://www.uchospitals.edu/pdf/uch.sub.-001471.pdf>, Accessed Feb. 28, 2006, 3 pages.
- Elbert, T. et al., "Chaos and Physiology: Deterministic Chaos in Excitable Cell Assemblies," *Physiological Reviews*, Jan. 1994, pp. 1-47, vol. 74, No. 1.
- Elger, C.E. et al., "Nonlinear EEG Analysis and Its Potential Role in Epileptology," *Epilepsia*, 2000, pp. S34-S38, vol. 41, Suppl. 3.
- Elger, C.E. et al., "Short Communication—Seizure Prediction by Non-Linear Time Series Analysis of Brain Electrical Activity," *European Journal of Neuroscience*, 1998, pp. 786-789, vol. 10.
- Esteller, R. et al., "Continuous Energy Variation During the Seizure Cycle: Towards an On-Line Accumulated Energy," *Clinical Neurophysiology*, Jan. 22, 2005, pp. 517-526, vol. 116.
- Esteller, R. et al., "Feature Parameter Optimization for Seizure Detection/Prediction," *IntelliMedix, Inc.*, [online] [Retrieved on Oct. 31, 2005] Retrieved from the Internet<URL:<http://66.102.7.104/search?q=cache:4he0GuwtlacJ:icsl.m...re%2520Detection%2520Prediction.doc+intellimedix&HI=en>>.
- Esteller, R. et al., "A Comparison of Waveform Fractal Dimension Algorithms," *IEEE Transactions on Circuits and Systems—I: Fundamental Theory and Applications*, Feb. 2001, pp. 177-183, vol. 48, No. 2.
- Faul, S. et al., "An Evaluation of Automated Neonatal Seizure Detection Methods," *Clinical Neurophysiology*, 2005, pp. 1533-1541, vol. 116.
- Fein, G. et al., "Common Reference Coherence Data are Confounded by Power and Phase Effects," *Electroencephalography and Clinical Neurophysiology*, 1988, pp. 581-584, vol. 69, Elsevier Scientific Publishers, Ireland, Ltd.
- Fell, J. et al., "Linear Inverse Filtering Improves Spatial Separation of Nonlinear Brain Dynamics: A Simulation Study," *Journal of Neuroscience Methods*, 2000, pp. 49-56, vol. 98, Elsevier.
- Firpi, H. et al., "Epileptic Seizure Detection by Means of Genetically Programmed Artificial Features," *Gecco '05*, Jun. 25-29, 2005, pp. 461-466.
- Fisher, R.S. "Reassessment: Vagus Nerve Stimulation for Epilepsy," *American Academy of Neurology*, 1999, [online] [Retrieved on Apr. 14, 2006] Retrieved from the Internet<URL:www.neurology.org>.
- Franaszczuk, P.J. et al., "An Autoregressive Method for the Measurement of Synchronization of Interictal and Ictal EEG Signals," *Biological Cybernetics*, 1999, pp. 3-9, vol. 81, Springer-Verlag.

- Gardner, A.B., "A Novelty Detection Approach to Seizure Analysis from Intracranial EEG," Dissertation, Georgia Institute of Technology, Apr. 2004, pp. 1-146.
- Geva, A.B. et al., "Forecasting Generalized Epileptic Seizures from the EEG Signal by Wavelet Analysis and Dynamic Unsupervised Fuzzy Clustering," *IEEE Transactions on Biomedical Engineering*, Oct. 1998, pp. 1205-1216, vol. 45, No. 10.
- Gigola, S. et al., "Prediction of Epileptic Seizures Using Accumulated Energy in a Multiresolution Framework," *Journal of Neuroscience Methods*, 2004, pp. 107-111, vol. 138, Elsevier.
- Guyon, I. et al., "Multivariate Non-Linear Feature Selection with Kernel Multiplicative Updates and Gram-Schmidt Relief," to appear in the proceedings of the BISC FLINT-CIBI 2003 workshop, Berkeley, Dec. 2003, pp. 1-11.
- Guyon, I. et al., "An Introduction to Variable and Feature Selection," *Journal of Machine Learning Research*, Mar. 2003, pp. 1157-1182, vol. 3.
- Harrison, M.A. et al., "Accumulated Energy Revisited," *Clinical Neurophysiology*, 2005, pp. 527-531, vol. 116, Elsevier.
- Harrison, M.A.F. et al., "Correlation Dimension and Integral do not Predict Epileptic Seizures," *Chaos*, 2005, pp. 1-15, vol. 15, No. 033106, American Institute of Physics.
- Hearst, M.A., "Support Vector Machines," *IEEE Intelligent Systems*, Jul./Aug. 1998, pp. 18-28.
- Hively, L.M. et al., "Detecting Dynamical Change in Nonlinear Time Series," *Physics Letters A*, Jul. 19, 1999, pp. 103-114, vol. 258, Elsevier.
- Hively, L.M. et al., "Epileptic Seizure Forewarning by Nonlinear Techniques," Oak Ridge National Laboratory, Nov. 2000, 40 pages.
- Hively, L.M. et al., "Channel-Consistent Forewarning of Epileptic Events from Scalp EEG" *IEEE Transactions on Biomedical Engineering*, May 2003, pp. 584-593, vol. 50, No. 5.
- Hjorth, B., "Source Derivation Simplifies Topographical EEG Interpretation," *Am.J. EEG Technol.*, 1980, pp. 121-132, vol. 20.
- Hsu, C-W. et al., "A Practical Guide to Support Vector Classification," 2003, pp. 1-12.
- Huynh, J.A., "Evaluation of Gene Selection Using Support Vector Machine Recursive Feature Elimination," Internship Report, May 26, 2004, pp. 1-25.
- Huynh, J., "Evaluation of Gene Selection Using Support Vector Machine Recursive Feature Elimination," Powerpoint Presentation, 2004, 41 pages.
- Iasemidis, L.D. et al., "Modelling of EcoG in Temporal Lobe Epilepsy," *Proceedings of the 25th Rocky Mountain Bioengineering Symposium*, Colorado Springs, CO, 1988, pp. 1-12.
- Iasemidis, L.D. et al., "Phase Space Topography and the Lyapunov Exponent of Electroencephalograms in Partial Seizures," *Brain Topography*, Mar. 1990, pp. 187-201, vol. 2, No. 3.
- Iasemidis, L.D. et al., "Localizing Preictal Temporal Lobe Spike Foci Using Phase Space Analysis," *Abstracts of the XIIth International Congress of Electroencephalography and Clinical Neurophysiology*, Rio de Janeiro, Brazil, Jan. 14-19, 1990, pp. S63-S64, vol. 75, No. 1, Elsevier Scientific Publishers Ireland, Ltd.
- Iasemidis, L.D. et al., "Long-Time-Scale Temporo-Spatial Patterns of Entrainment of Preictal Electroencephalographic Data in Human Temporal Lobe Epilepsy," *Epilepsia*, Sep./Oct. 1990, p. 621, vol. 31, No. 5.
- Iasemidis, L.D. et al., "The Evolution with Time of the Spatial Distribution of the Largest Lyapunov Exponent on the Human Epileptic Cortex," in *Masuring Chaos in the Human Brain*, 1991, Eds. D. Duke et al., pp. 1-27.
- Iasemidis, L.D. et al., "The Use of Dynamical Analysis of EEG Frequency Content in Seizure Prediction," *Society Proceedings, American EEG Society, 1993 Annual Meeting*, New Orleans, LA, Oct. 11-12, 1993, *Electroencephalography and Clinical Neurophysiology*, 1994, p.39P, vol. 91.
- Iasemidis, L.D. et al., "Quantification of Hidden Time Dependencies in the EEG within the Framework of Nonlinear Dynamics," in *Nonlinear Dynamical Analysis of the EEG*, 1993, Eds. B.H. Jansen et al., pp. 30-47.
- Iasemidis, L.D. et al., "Time Dependencies in Partial Epilepsy," *Epilepsia*, *Abstracts from the Annual Meeting of the American Epileptic Society*, Miami, FL, Dec. 5-8, 1993, pp. 130-131, vol. 34, Suppl. 6.
- Iasemidis, L.D. et al., "Time Dependencies in the Occurrences of Epileptic Seizures," *Epilepsy Research*, 1994, pp. 81-94, vol. 17, Elsevier.
- Iasemidis, L.D. et al., "Spatiotemporal Evolution of Dynamical Measures Precedes Onset of Mesial Temporal Lobe Seizures," *Epilepsia*, *Abstracts from the Annual Meeting of the American Epilepsy Society*, New Orleans, LA, Dec. 2-8, 1994, p. 133, vol. 35, Suppl. 8.
- Iasemidis, L.D. et al., "Spatiotemporal Dynamics of Human Epileptic Seizures," in *Proceedings of the 3rd Experimental Chaos Conference*, 1996, R.G. Harrison et al. (Eds.), pp. 26-30.
- Iasemidis, L.D. et al., "Chaos Theory and Epilepsy," 1996, pp. 1-13.
- Iasemidis, L.D. et al., "Detection of the Preictal Transition State in Scalp-Sphenoidal EEG Recordings," *Journal of Clinical Neurophysiology*, Sep. 1996, pp. 443-444, vol. 13, No. 5.
- Iasemidis, L.D. et al., "Preictal Entrainment of a Critical Cortical Mass is a Necessary Condition for Seizure Occurrence," *Epilepsia*, *Abstracts from the Annual Meeting of the American Epilepsy Society*, San Francisco, CA, Dec. 7-10, 1996, p. 90, vol. 37, Suppl. 5.
- Iasemidis, L.D. et al., "Spatiotemporal Transition to Epileptic Seizures: A Nonlinear Dynamical Analysis of Scalp and Intracranial EEG Recordings," *Spatiotemporal Models in Biological and Artificial Systems*, F.L. Silva et al. (Eds.), 1997, pp. 81-88, IOS Press.
- Iasemidis, L.D. et al., "Epileptogenic Focus Localization by Dynamic Analysis of Interictal Periods of EEG in Patients with Temporal Lobe Epilepsy," *Epilepsia*, *Abstracts from the Annual Meeting of the American Epilepsy Society*, Boston, MA, Dec. 7-10, 1997, p. 213, vol. 38, Suppl. 8.
- Iasemidis, L.D. et al., "Preictal-Postictal Versus Postictal Analysis for Epileptogenic Focus Localization," *J. Clin. Neurophysiol.*, 1997, p. 144, vol. 14.
- Iasemidis, L.D. et al., "Dynamical Interaction of the Epileptogenic Focus with Extrafocal Sites in Temporal Lobe Epilepsy," *Annals of Neurology*, Sep. 1997, p. 429, vol. 42, No. 3.
- Iasemidis, L.D. et al., "Nonlinear Dynamics of Electroencephalographic Data in Temporal Lobe Epilepsy," *Journal of Clinical Neurophysiology*, 1988, p. 339, vol. 5, No. 4, Raven Press.
- Iasemidis, L.D. et al., "Automated Seizure Prediction Paradigm," *Epilepsia*, *Abstracts from the Annual Meeting of the American Epilepsy Society*, San Diego, CA, Dec. 6-9, 1998, p. 207, vol. 39, Suppl. 6.
- Iasemidis, L.D. et al., "Measurement and Quantification of Spatio-Temporal Dynamics of Human Epileptic Seizures," in *Nonlinear Signal Processing in Medicine*, M. Akay (Ed.), 1999, pp. 1-27, IEEE Press.
- Iasemidis, L.D. et al., "Quadratic Binary Programming and Dynamical System Approach to Determine the Predictability of Epileptic Seizures," *Journal of Combinatorial Optimization*, 2001, pp. 9-26, vol. 5, Kluwer Academic Publishers, Netherlands.
- Iasemidis, L.D., "Epileptic Seizure Prediction and Control," *IEEE Transactions on Biomedical Engineering*, May 2003, pp. 549-558, vol. 50, No. 5.
- Iasemidis, L.D. et al., "Adaptive Epileptic Seizure Prediction System," *IEEE Transactions on Biomedical Engineering*, May 2003, pp. 616-627, vol. 50, No. 5.
- Iasemidis, L.D. et al., "Comment on Inability of Lyapunov Exponents to Predict Epileptic Seizures," *Physical Review Letters*, Jan. 14, 2005, 1 page, PRL 94, 019801.
- Iasemidis, L.D. et al., "Long-Term Prospective On-Line Real-Time Seizure Prediction," *Clinical Neurophysiology*, 2005, pp. 532-544, vol. 116.
- Jerger, K.K. et al., "Early Seizure Detection," *Journal of Clinical Neurophysiology*, 2001, pp. 259-268, vol. 18, No. 3.
- Jerger, K.K. et al., "Multivariate Linear Discrimination of Seizures," *Clinical Neurophysiology*, 2005, pp. 545-551, vol. 116.
- Jouny, C.C. et al., "Characterization of Epileptic Seizure Dynamics Using Gabor Atom Density," *Clinical Neurophysiology*, 2003, pp. 426-437, vol. 114.

- Jouny, C.C. et al., "Signal Complexity and Synchrony of Epileptic Seizures: Is There an Identifiable Preictal Period?" *Clinical Neurophysiology*, 2005, pp. 552-558, vol. 116.
- Kapiris, P.G. et al., "Similarities in Precursory Features in Seismic Shocks and Epileptic Seizures," *Europhysics Letters*, Feb. 15, 2005, pp. 657-663, vol. 69, No. 4.
- Katz, A. et al., "Does Interictal Spiking Change Prior to Seizures?" *Electroencephalography and Clinical Neurophysiology*, 1991, pp. 153-156, vol. 79, Elsevier Scientific Publishers Ireland Ltd.
- Kerem, D.H. et al., "Forecasting Epilepsy from the Heart Rate Signal," *Medical & Biological Engineering & Computing*, 2005, pp. 230-239, vol. 43.
- Khalilov, I. et al., "Epilptogenic Actions of GABA and Fast Oscillations in the Developing Hippocampus," *Neuron*, Dec. 8, 2005, pp. 787-796, vol. 48, Elsevier Inc.
- Korn, H. et al., "Is there Chaos in the Brain? II. Experimental Evidence and Related Models," *C.R. Biologies*, 2003, pp. 787-840, vol. 326.
- Kraskov, A., "Synchronization and Interdependence Measures and their Applications to the Electroencephalogram of Epilepsy Patients and Clustering of Data," Dissertation (PhD Thesis), Publication Series of the John von Neumann Institute for Computing (NIC), NIC Series, Feb. 2004, 106 pages, vol. 24.
- Kreuz, T. et al., "Measure Profile Surrogates: A Method to Validate the Performance of Epileptic Seizure Prediction Algorithms," *Jun. 15, 2004, Physical Review*, pp. 1-9, vol. 69, No. 061915.
- Lachaux, J-P. et al., "Measuring Phase Synchrony in Brain Signals," *Human Brain Mapping*, 1999, pp. 194-208, vol. 8.
- Lai, Y-C. et al., "Inability of Lyapunov Exponents to Predict Epileptic Seizures," *Physical Review Letters*, Aug. 8, 2003, pp. 1-4, vol. 91, No. 6.
- Lai, Y-C. et al., "Controlled Test for Predictive Power of Lyapunov Exponents: Their Inability to Predict Epileptic Seizures," *Chaos*, Sep. 2004, pp. 630-642, vol. 14, No. 3.
- Latka, M. et al., "Wavelet Analysis of Epileptic Spikes," Dec. 22, 2002, pp. 1-6.
- Le Van Quyen, M., "Anticipating Epileptic Seizures: From Mathematics to Clinical Applications," *C.R. Biologies*, 2004, pp. 1-12.
- Le Van Quyen, M. et al., "Preictal State Identification by Synchronization Changes in Long-Term Intracranial EEG Recordings," *Clinical Neurophysiology*, 2005, pp. 559-568, vol. 116.
- Le Van Quyen, M. et al., "Nonlinear Analyses of Interictal EEG Map the Brain Interdependences in Human Focal Epilepsy," *Physica D*, 1999, pp. 250-266, vol. 127, Elsevier.
- Le Van Quyen, M. et al., "Anticipating Epileptic Seizures in Real Time by a Non-Linear Analysis of Similarity Between EEG Recordings," *NeuroReport*, Jul. 13, 1999, pp. 2149-2155, vol. 10, No. 10.
- Le Van Quyen, M. et al., "Comparison of Hilbert Transform and Wavelet Methods for the Analysis of Neuronal Synchrony," *Journal of Neuroscience Methods*, 2001, pp. 83-98, vol. 111, Elsevier.
- Le Van Quyen, M. et al., "Authors' Second Reply," *Correspondence, The Lancet*, Mar. 15, 2003, p. 971, vol. 361.
- Lehnertz, K. et al., "The First International Collaborative Workshop on Seizure Prediction: Summary and Data Description," *Clinical Neurophysiology*, 2005, pp. 493-505, vol. 116, Elsevier.
- Lehnertz, K., "Non-Linear Time Series Analysis of Intracranial EEG Recordings in Patients with Epilepsy—An Overview," *International Journal of Psychophysiology*, 1999, pp. 45-52, vol. 34, Elsevier.
- Lehnertz, K. et al., "Nonlinear EEG Analysis in Epilepsy: Its Possible Use for Interictal Focus Localization, Seizure Anticipation, and Prevention," *Journal of Clinical Neurophysiology*, 2001, pp. 209-222, vol. 18, No. 3.
- Lehnertz, K. et al., "Seizure Prediction by Nonlinear EEG Analysis," *IEEE Engineering in Medicine and Biology Magazine*, Jan./Feb. 2003, pp. 57-63.
- Lemos, M.S. et al., "The Weighted Average Reference Montage," *Electroencephalography and Clinical Neurophysiology*, 1991, pp. 361-370, vol. 79, Elsevier Scientific Publishers Ireland, Ltd.
- Li, D. et al., "Non-Linear, Non-Invasive Method for Seizure Anticipation in Focal Epilepsy," *Mathematical Biosciences*, 2003, pp. 63-77, vol. 186, Elsevier.
- Li, D. et al., "Linear and Nonlinear Measures and Seizure Anticipation in Temporal Lobe Epilepsy," *Journal of Computational Neuroscience*, 2003, pp. 335-345, vol. 15, Kluwer Academic Publishers, Netherlands.
- Li, X. et al., "Fractal Spectral Analysis of Pre-Epileptic Seizures in Terms of Criticality," *Journal of Neural Engineering*, Mar. 8, 2005, pp. 11-16, vol. 2.
- Litt, B. et al., "Prediction of Epileptic Seizures," *Neurology, The Lancet*, May 2002, pp. 22-30, vol. 1, No. 1.
- Litt, B. et al., "Seizure Prediction and the Preseizure Period," *Current Opinion in Neurology*, 2002 pp. 173-177, vol. 15.
- Maiwald, T. et al., "Comparison of Three Nonlinear Seizure Prediction Methods by Means of the Seizure Prediction Characteristic," *Physica D*, 2004, pp. 357-368, vol. 194.
- Mangasarian, O.L. et al., "Lagrangian Support Vector Machines," Mar. 9, 2006, pp. 1-22.
- Martinerie, J. et al., "Epileptic Seizures can be Anticipated by Non-Linear Analysis," *Nature Medicine*, Oct. 1998, pp. 1173-1176, vol. 4, No. 10.
- McSharry, P.E., "Detection of Dynamical Transitions in Biomedical Signals Using Nonlinear Methods," in *Knowledge-Based Intelligent Information and Engineering Systems*, 2004, pp. 483-490.
- McSharry, P.E. et al., "Linear and Non-Linear Methods for Automatic Seizure Detection in Scalp Electro-Encephalogram Recordings," *Medical & Biological Engineering & Computing*, 2002, pp. 447-461, vol. 40.
- McSharry, P.E. et al., "Comparison of Predictability of Epileptic Seizures by a Linear and a Nonlinear Method," *IEEE Transactions on Biomedical Engineering*, May 2003, pp. 628-633, vol. 50, No. 5.
- Meng, L. et al., "Gaussian Mixture Models of EcoG Signal Features for Improved Detection of Epileptic Seizures," *Medical Engineering & Physics*, 2004, pp. 379-393, vol. 26, Elsevier.
- Mizuno-Matsumoto, Y. et al., "Wavelet-Crosscorrelation Analysis Can Help Predict Whether Bursts of Pulse Stimulation Will Terminate Afterdischarges," *Clinical Neurophysiology*, 2002, pp. 33-42, No. 113, Elsevier.
- Mormann, F. et al., "Automated Detection of a Preseizure State Based on a Decrease in Synchronization in Intracranial Electroencephalogram Recordings from Epilepsy Patients," *Physical Review*, Feb. 26, 2003, vol. 67, No. 021912, The American Physical Society.
- Mormann, F. et al., "Epileptic Seizures are Preceded by a Decrease in Synchronization," *Epilepsy Research*, 2003, pp. 173-185, vol. 53.
- Mormann, F. et al., "On the Predictability of Epileptic Seizures," *Clinical Neurophysiology*, 2005, pp. 569-587, vol. 116, Elsevier.
- Mormann, F. et al., "Seizure Anticipation: From Algorithms to Clinical Practice," *Current Opinion in Neurology*, 2006, pp. 187-193, vol. 19, Lippincott Williams & Wilkins.
- Mormann, F. et al., "Seizure Prediction: The Long and Winding Road," *Brain*, 2007, pp. 314-333, vol. 130.
- Mormann, F. et al., "Mean Phase Coherence as a Measure for Phase Synchronization and its Application to the EEG of Epilepsy Patients," *Physica D*, 2000, pp. 358-369, vol. 144, Elsevier.
- Navarro, V. et al., "Seizure Anticipation in Human Neocortical Partial Epilepsy," *Brain*, 2002, pp. 640-655, vol. 125.
- Navarro, V. et al., "Seizure Anticipation: Do Mathematical Measures Correlate with Video-EEG Evaluation?" *Epilepsia*, 2005, pp. 385-396, vol. 46, No. 3.
- Niederhauser, J.J. et al., "Detection of Seizure Precursors from Depth-EEG Using a Sign Periodogram Transform," *IEEE Transactions on Biomedical Engineering*, Apr. 2003, pp. 449-458, vol. 51, No. 4.
- Nigam, V. et al., "A Neural-Network-Based Detection of Epilepsy," *Neurological Research*, Jan. 2004, pp. 55-60, vol. 26.
- Osorio, I. et al., "Real-Time Automated Detection and Quantitative Analysis of Seizures and Short-Term Prediction of Clinical Onset," *Epilepsia*, 1998, pp. 615-627, vol. 39, No. 6.
- Osorio, I. et al., "Performance Reassessment of a Real-Time Seizure-Detection Algorithm on Long ECoG Series," *Epilepsia*, 2002, pp. 1522-1535, vol. 43, No. 12.
- Osorio, I. et al., "Automated Seizure Abatement in Humans Using Electrical Stimulation," *Ann. Neurol.*, 2005, pp. 258-268, vol. 57, Wiley-Liss, Inc.

- Ossadtchi, A. et al., "Hidden Markov Modelling of Spike Propagation from Interictal MEG Data," *Physics in Medicine and Biology*, Jul. 6, 2005, pp. 3447-3469, vol. 50, Institute of Physics Publishing.
- Pflieger, M.E. et al., "A Noninvasive Method for Analysis of Epileptogenic Brain Connectivity," Presented at the American Epilepsy Society 2004 Annual Meeting, New Orleans, LA, Dec. 6, 2004, pp. 1-12.
- Pittman, V., "Flexible Drug Dosing Produces Less Side-Effects in People with Epilepsy," *Medical News Today Article*, Dec. 29, 2005, [online] [Retrieved on Apr. 17, 2006] Retrieved from the Internet<URL:http://www.medicalnewstoday.com/printerfriendlynews.php?newsid=35478>.
- Platt, J.C., "Using Analytic QP and Sparseness to Speed Training of Support Vector Machines," To Appear in *Advances in Neural Information Processing Systems*, M.S. Kearns et al. (Eds.), 1999, pp. 1-8, MIT Press.
- Platt, J.C. et al., "Large Margin DAGs for Multiclass Classification," MIT Press, 2000, S.A. Solla et al. (Eds.), pp. 547-553.
- Protopopescu, V.A. et al., "Epileptic Event Forewarning from Scalp EEG," *Journal of Clinical Neurophysiology*, 2001, pp. 223-245, vol. 18, No. 3., Lippincott Williams & Wilkins, Inc.
- Rahimi, A. et al., "On the Effectiveness of Aluminum Foil Helmets: An Empirical Study," Feb. 17, 2005, [online] [Retrieved on Dec. 13, 2005] Retrieved from the Internet<URL:http://people.csail.mit.edu/rahimi/helmet/>.
- Remington's, 18th Edition, A.R. Gennaro (Ed.), *Pharmaceutical Sciences*, 1990, 5 pages, Mack Publishing Company.
- Robinson, P.A. et al., "Steady States and Global Dynamics of Electrical Activity in the Cerebral Cortex," *Phys. Rev. E*, Mar. 5, 1998, 13 pages, vol. 58, Issue 3.
- Rudrauf, D. et al., "Frequency Flows and the Time-Frequency Dynamics of Multivariate Phase Synchronization in Brain Signals," *NeuroImage*, 2005, pp. 1-19.
- Saab, M.E. et al., "A System to Detect the Onset of Epileptic Seizures in Scalp EEG," *Clinical Neurophysiology*, 2005, pp. 427-442, vol. 116, Elsevier.
- Sackellares, J.C. et al., "Epilepsy—When Chaos Fails," in *Chaos in the Brain?* K. Lehnertz et al. (Eds.), Jan. 3, 2000, pp. 1-22.
- Sackellares, J.C. et al., "Measurement of Chaos to Localize Seizure Onset," *Epilepsia*, Sep./Oct. 1989, p. 663, vol. 30, No. 5.
- Sackellares, J.C. et al., "Computer-Assisted Seizure Detection Based on Quantitative Dynamical Measures," *Electroencephalography and Clinical Neurophysiology*, 1995, p. 18P, vol. 95, No. 2.
- Sackellares, J.C. et al., "Dynamical Studies of Human Hippocampus in Limbic Epilepsy," *Neurology*, Apr. 1995, p. A404-A405, vol. 45, Suppl. 4.
- Sackellares, J.C. et al., "Relationship Between Hippocampal Atrophy and Dynamical Measures of EEG in Depth Electrode Recordings," *Electroencephalography and Clinical Neurophysiology*, Jan. 1997, vol. 102, No. 1.
- Sackellares, J.C. et al., "Epileptic Seizures as Neural Resting Mechanisms," *Epilepsia*, Abstracts from the 22nd International Epilepsy Congress, Dublin Ireland, Jun. 29-Jul. 4, 1997, 1 page, vol. 38, Suppl. 3, Lippincott-Raven Publishers.
- Sackellares, J.C. et al., "Predictability Analysis for an Automated Seizure Prediction Algorithm," *Journal of Clinical Neurophysiology*, Dec. 2006, pp. 509-520, vol. 23, No. 6.
- Salant, Y., "Prediction of Epileptic Seizures from Two-Channel EEG," *Medical & Biological Engineering & Computing*, Sep. 1998, pp. 549-556, vol. 36.
- Schelter, B. et al., "Testing Statistical Significance of Multivariate Time Series Analysis Techniques for Epileptic Seizure Prediction," *Chaos*, 2006, pp. 1-10, vol. 16, No. 013108.
- Schelter, B. et al., "Testing for Directed Influences Among Neural Signals Using Partial Directed Coherence," *Journal of Neuroscience Methods*, 2005, pp. 1-10, Elsevier.
- Schindler, K. et al., "EEG Analysis with Simulated Neuronal Cell Models Helps to Detect Pre-Seizure Changes," *Clinical Neurophysiology*, 2002, pp. 604-614, vol. 113, Elsevier.
- Schwartzkroin, P.A., "Progress in Epilepsy Research—Origins of the Epileptic State," *Epilepsia*, 1997, pp. 853-858, vol. 38, No. 8, Lippincott-Raven Publishers.
- Sheridan, T.B., "Humans and Automation—System Design and Research Issues," *HFES Issues in Human Factors and Ergonomics Series*, 2002, 6 pages, vol. 3, John Wiley & Sons, Inc.
- Shoeb, A. et al., "Patient-Specific Seizure Detection," *MIT Computer Science and Artificial Intelligence Laboratory, Epilepsy & Behavior*, 2004, pp. 193-194.
- Staba, R.J. et al., "Quantitative Analysis of High-Frequency Oscillations (80-500 Hz) Recorded in Human Epileptic Hippocampus and Entorhinal Cortex," *J. Neurophysiology*, 2002, pp. 1743-1752, vol. 88.
- Stefanski, A. et al., "Using Chaos Synchronization to Estimate the Largest Lyapunov Exponent of Nonsmooth Systems," *Discrete Dynamics in Nature and Society*, 2000, pp. 207-215, vol. 4.
- Subasi, A. et al., "Classification of EEG Signals Using Neural Network and Logistic Regression," *Computer Methods and Programs in Biomedicine*, 2005, pp. 87-99, vol. 78, Elsevier.
- Szoka, Jr., F. et al., "Procedure for Preparation of Liposomes with Large Internal Aqueous Space and High Capture by Reverse-Phase Evaporation," *Proc. Natl. Acad. Sci.*, Sep. 1978, pp. 4194-4198, vol. 75, No. 9.
- Tass, P. et al., "Detection of n:m Phase Locking from Noisy Data: Application to Magnetoencephalography," *Physical Review Letters*, Oct. 12, 1998, pp. 3291-3294, vol. 81, No. 15.
- Terry, J.R. et al., "An Improved Algorithm for the Detection of Dynamical Interdependence in Bivariate Time-Series," *Biol. Cybern.*, 2003, pp. 129-136, vol. 88.
- Tetzlaff, R. et al., "Cellular Neural Networks (CNN) with Linear Weight Functions for a Prediction of Epileptic Seizures," *International Journal of Neural Systems*, 2003, pp. 489-498, vol. 13, No. 6, World Scientific Publishing Company.
- Theiler, J. et al., "Testing for Nonlinearity in Time Series: the Method of Surrogate Data," *Physica D*, 1992, pp. 77-94, vol. 58.
- Tsakalis, K.S., "Prediction and Control of Epileptic Seizures: Coupled Oscillator Models," Arizona State University, no date, 53 pages.
- Tsakalis, K.S., "Prediction and Control of Epileptic Seizures: Coupled Oscillator Models," Part 1, Arizona State University, no date, 25 pages.
- Tsakalis, K.S., "Prediction and Control of Epileptic Seizures: Coupled Oscillator Models," Part 2, Arizona State University, no date, 28 pages.
- Van Drongelen, W. et al., "Seizure Anticipation in Pediatric Epilepsy: Use of Kolmogorov Entropy," *Pediatric Neurology*, 2003, pp. 207-213, vol. 29, No. 3.
- Van Putten, M.J.A.M., "Nearest Neighbor Phase Synchronization as a Measure to Detect Seizure Activity from Scalp EEG Recordings," *Journal of Clinical Neurophysiology*, 2003, pp. 320-325, vol. 20, No. 5.
- Venugopal, R. et al., "A New Approach Towards Predictability of Epileptic Seizures: KLT Dimension," *ISA*, 2003, Paper #2003-022, pp. 123-128.
- Vonck, K. et al., "Long-Term Amygdalohippocampal Stimulation for Refractory Temporal Lobe Epilepsy," *Annals of Neurology*, Nov. 2002, pp. 556-565, vol. 52, No. 5.
- Vonck, K. et al., "Neurostimulation for Refractory Epilepsy," *Acta Neurol. Belg.*, 2003, pp. 213-217, vol. 103.
- Vonck, K. et al., "Long-Term Deep Brain Stimulation for Refractory Temporal Lobe Epilepsy," *Epilepsia*, 2005, pp. 98-99, vol. 46, Suppl. 5.
- Weiss, P., "Seizure Prelude Found by Chaos Calculation," *ScienceNewsOnline*, May 23, 1998, [online] [Retrieved on Oct. 18, 2005] Retrieved from the Internet<URL:http://www.sciencenews.org/pages/sn_arc98/5_23_98/fob2.htm>.
- Wells, R.B., "Spatio-Temporal Binding and Dynamic Cortical Organization: Research Issues," Mar. 2005, pp. 1-68.
- Widman, G. et al., "Reduced Signal Complexity of Intracellular Recordings: A Precursor for Epileptiform Activity?" *Brain Research*, 1999, pp. 156-163, vol. 836, Elsevier.
- Winterhalder, M. et al., "The Seizure Prediction Characteristic: A General Framework to Assess and Compare Seizure Prediction Methods," *Epilepsy & Behavior*, 2003, pp. 318-325, vol. 4.
- Winterhalder, M. et al., "Sensitivity and Specificity of Coherence and Phase Synchronization Analysis," Dec. 28, 2004, pp. 1-21.

Wong, S. et al., "A Stochastic Framework for Evaluating Seizure Prediction Algorithms Using Hidden Markov Models," J. Neurophysiol., Oct. 4, 2006, pp. 2525-2532, vol. 97.

Yang, H-J. et al., "Relation Between Responsiveness to Neurotransmitters and Complexity of Epileptiform Activity in Rat Hippocampal CA1 Neurons," Epilepsia, 2002, pp. 1330-1336, vol. 43, No. 11.

Yang, K. et al., "*CleVer*: A Feature Subset Selection Technique for Multivariate Time Series," PAKDD 2005, LNAI 3518, T.B. Ho et al. (Eds.), 2005, pp. 516-522, Springer-Verlag.

Yang, K. et al., "A Supervised Feature Subset Selection Technique for Multivariate Time Series," Proceedings of the Workshop on Feature Selection for Data Mining, 2005 SIAM International Conference on Data Mining, Apr. 23, 2005, Newport Beach, CA, 10 pages.

Yang, M.C.K. et al., "Testing Whether a Prediction Scheme is Better Than Guess," Chapter 14, Quantitative Neuroscience, 2004, pp. 251-262, Springer.

Yatsenko, V. et al., "Geometric Models, Fiber Bundles and Biomedical Applications," Proceedings of Institute of Mathematics of NAS of Ukraine, 2004, pp. 1518-1525, vol. 50, Part 3.

Zhaveri, H.P. et al., "Time-Frequency Analyses of Non-Stationary Brain Signals," Electroencephalography & Clinical Neurophysiology, Aug. 1991, pp. 28P-29P, vol. 79, No. 2.

Zhang, X. et al., "High-Resolution EEG: Cortical Potential Imaging of Interictal Spikes," Clinical Neurophysiology, 2003, pp. 1963-1973, vol. 114.

* cited by examiner

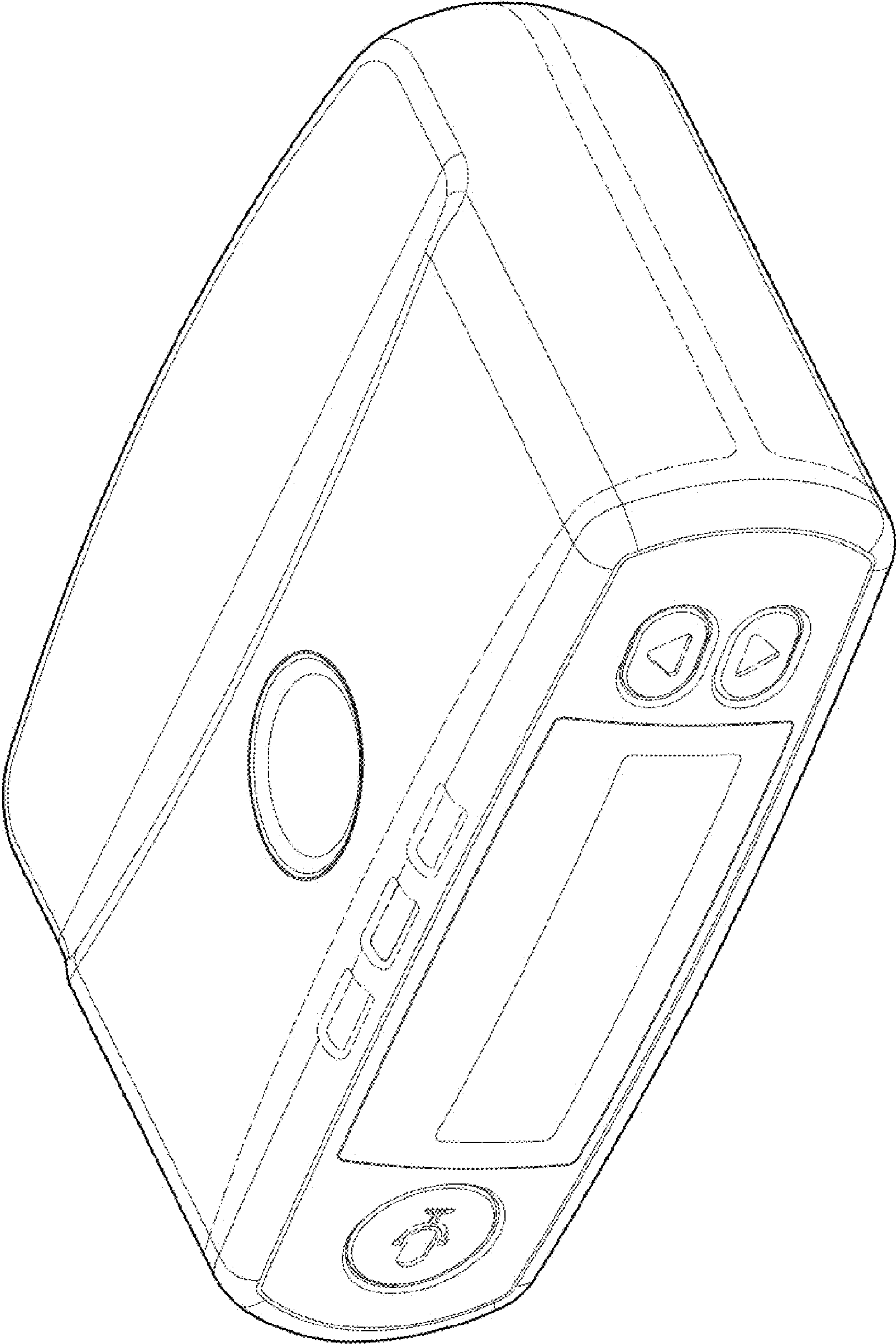


FIG. 1

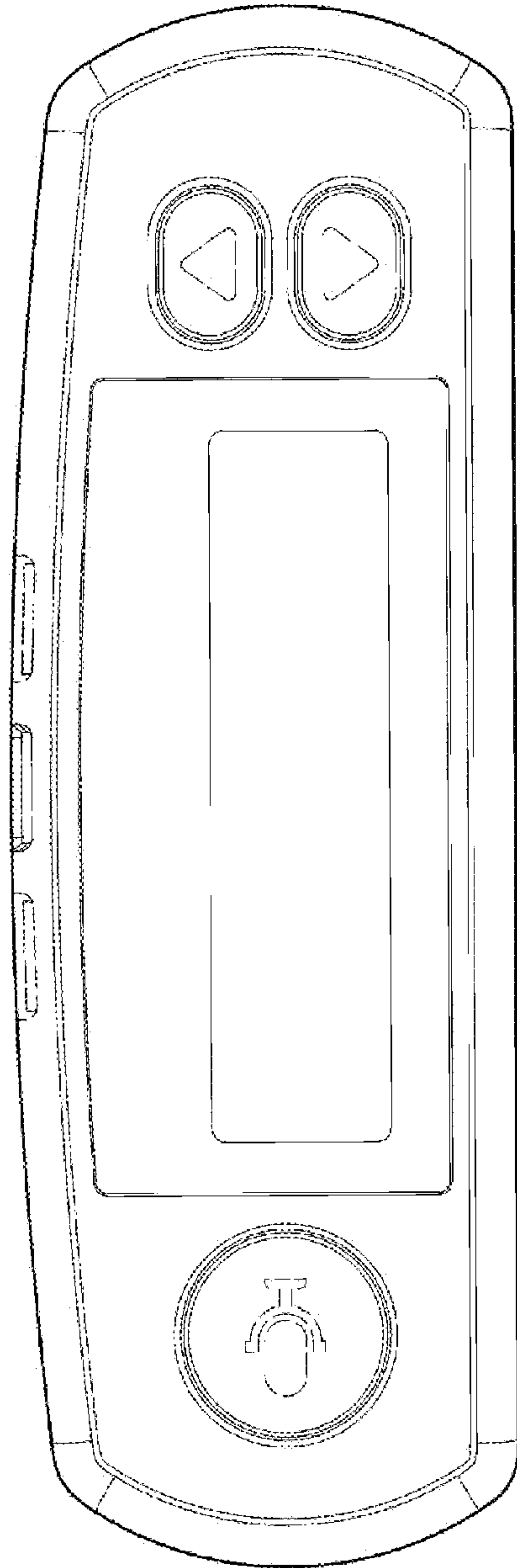


FIG. 2

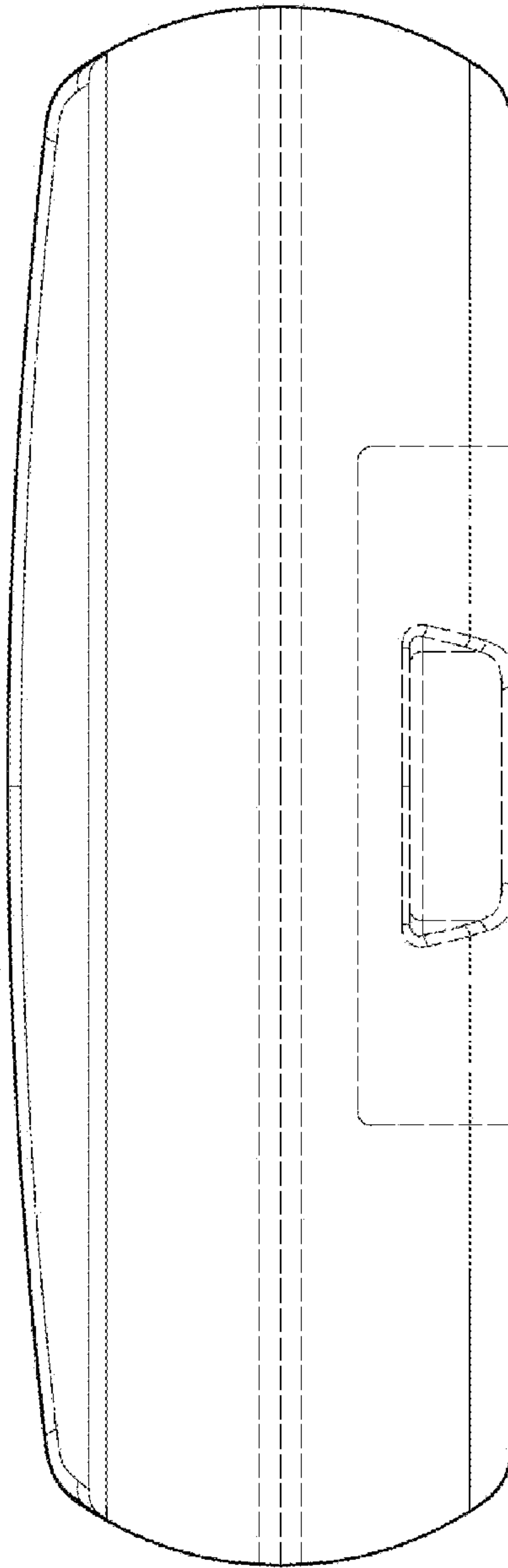


FIG. 3

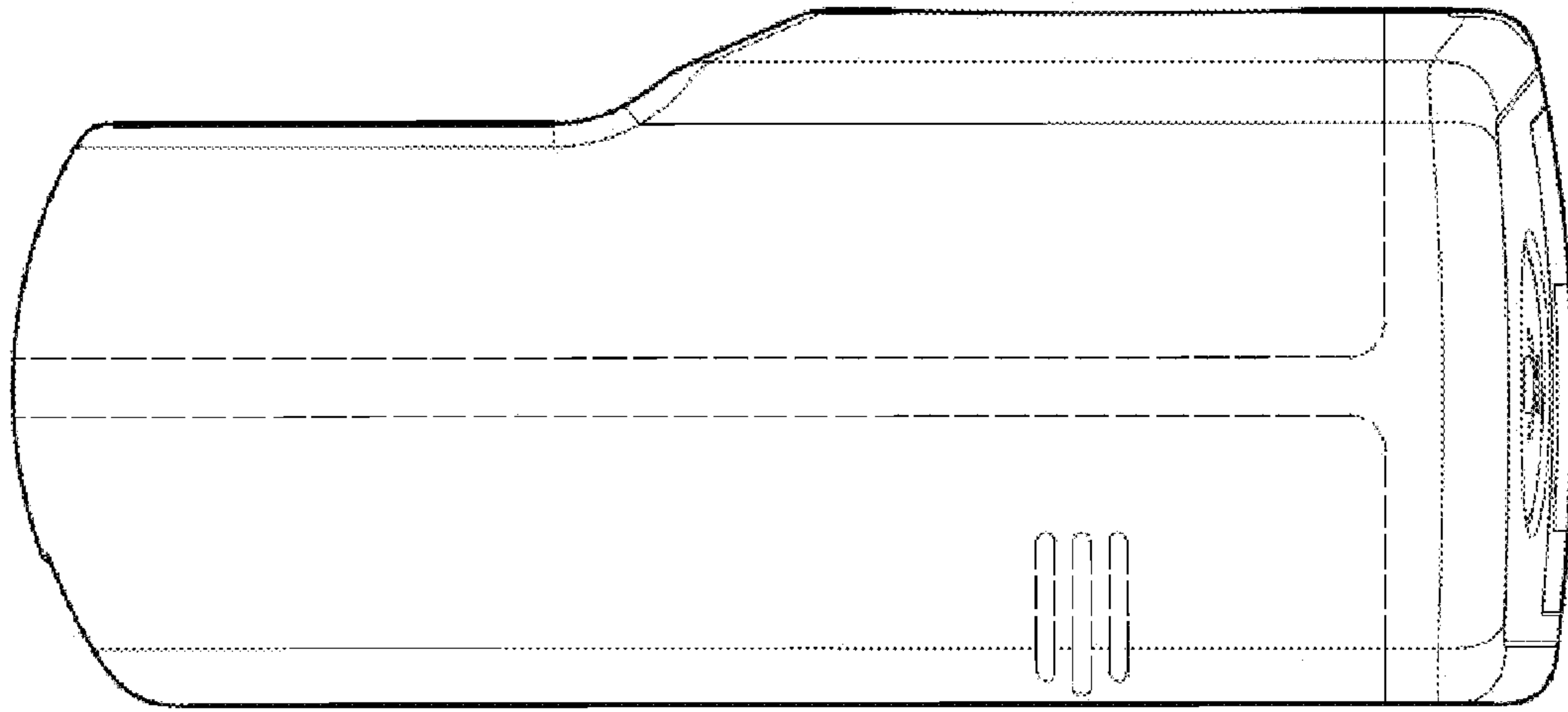


FIG. 4

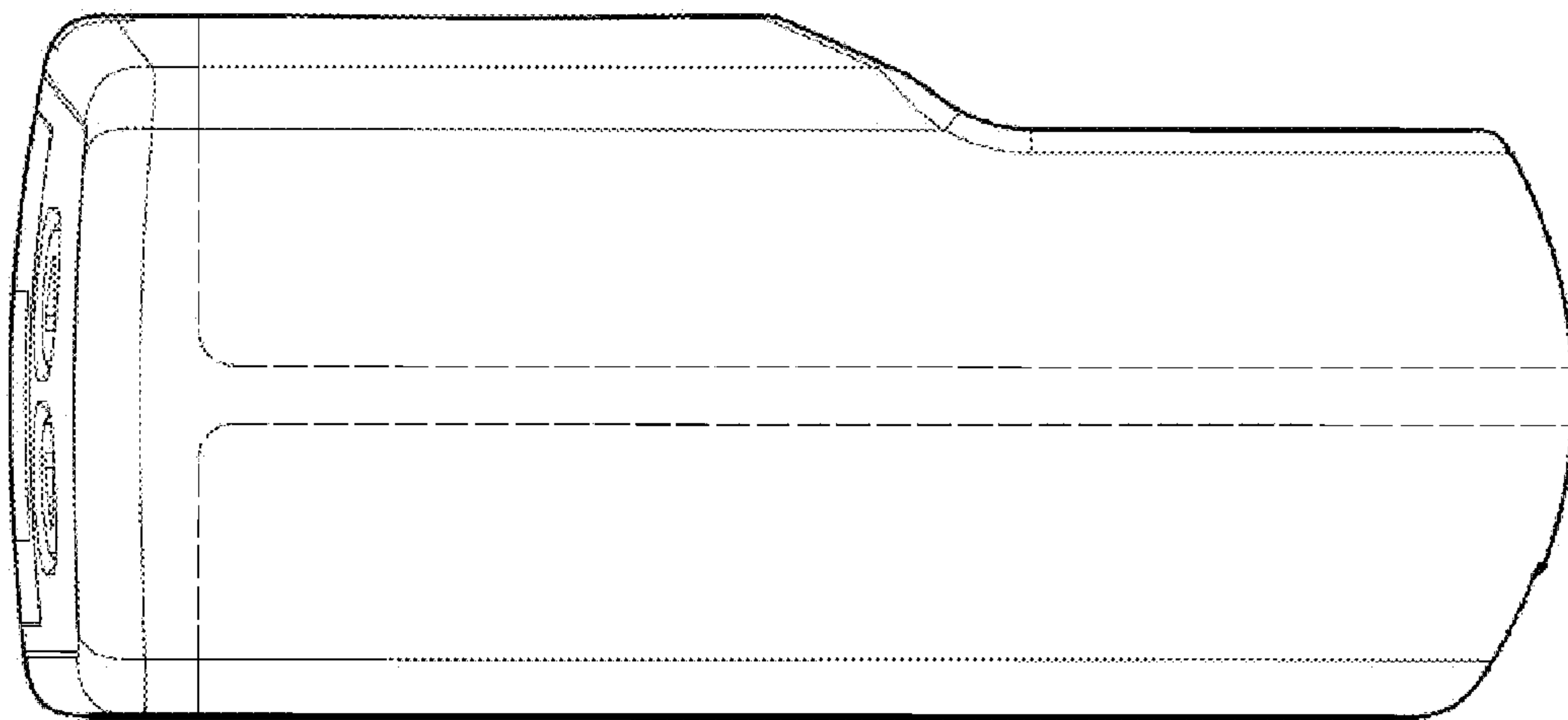


FIG. 5

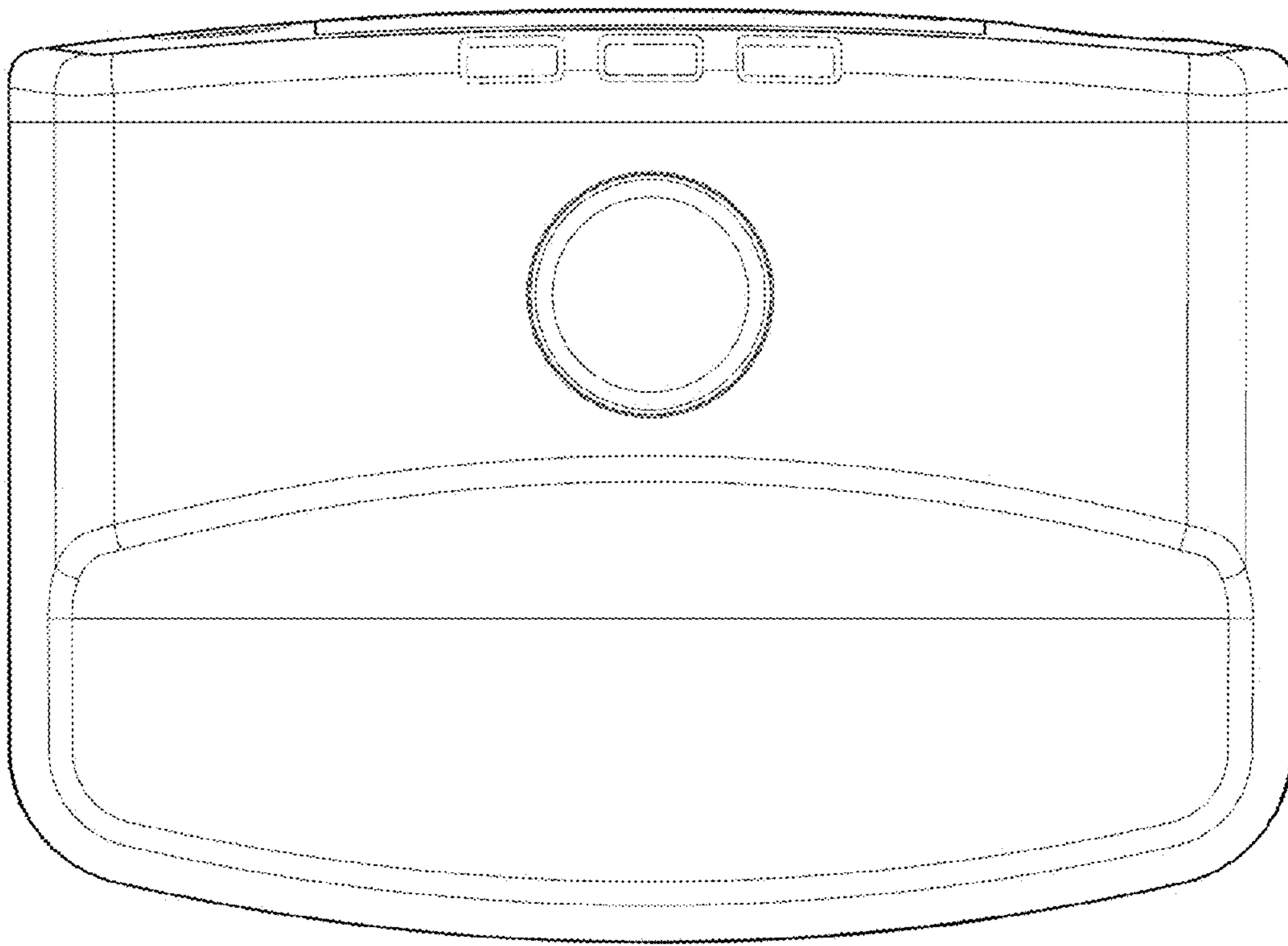


FIG. 6

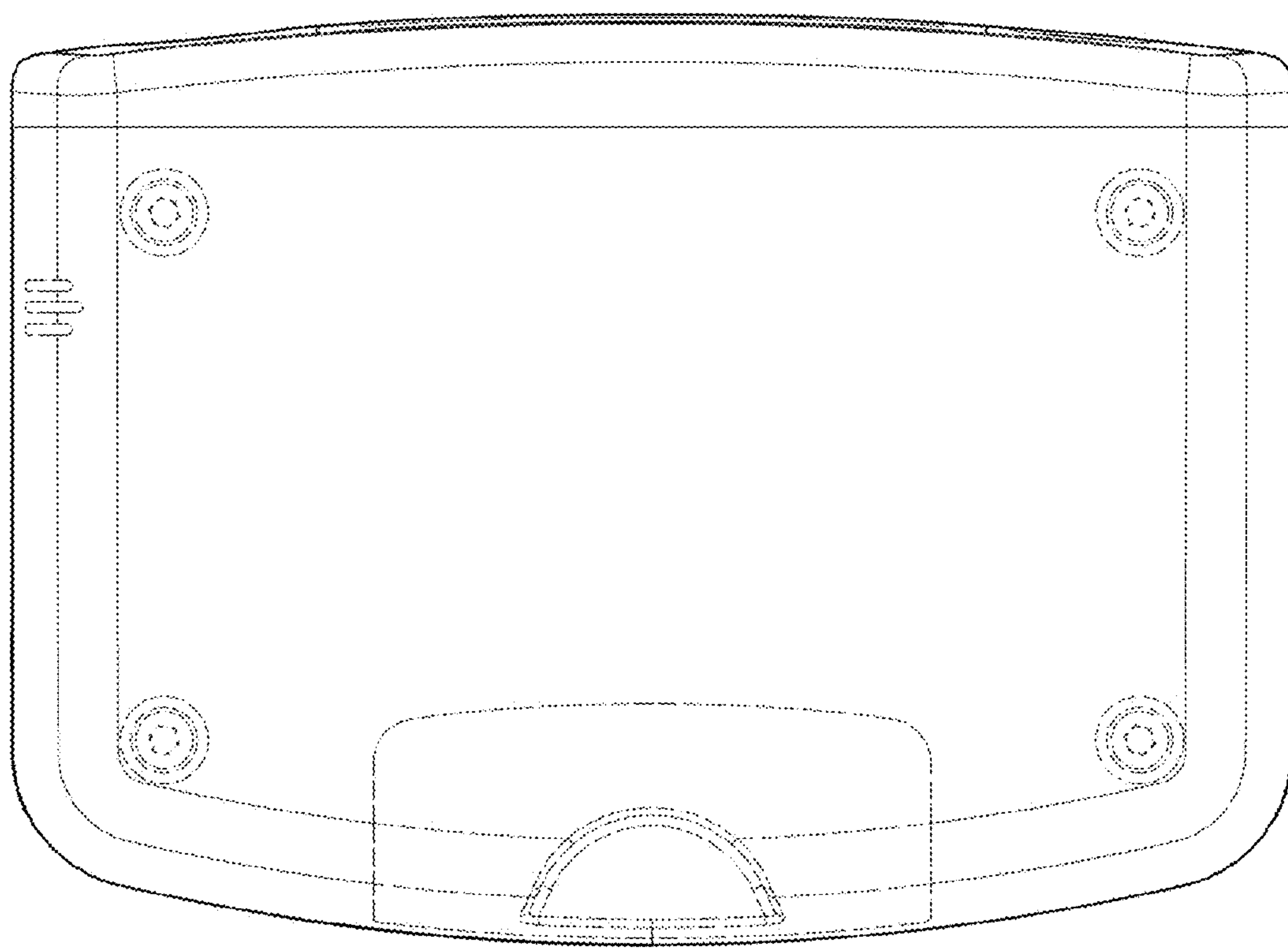


FIG. 7