



US00D627471S

(12) **United States Design Patent**
Mueller et al.

(10) **Patent No.:** **US D627,471 S**

(45) **Date of Patent:** **** *Nov. 16, 2010**

(54) **LIGHT DEVICE**

(75) Inventors: **Thomas K. Mueller**, München (DE);
Rainer Schmitz, Steinfurt (DE)

(73) Assignee: **3M Innovative Properties Company**,
St. Paul, MN (US)

(**) Term: **14 Years**

(21) Appl. No.: **29/332,823**

(22) Filed: **Feb. 26, 2009**

(51) **LOC (9) Cl.** **24-02**

(52) **U.S. Cl.** **D24/176; D26/43**

(58) **Field of Classification Search** D24/152,
D24/107, 133, 147, 176, 180, 182, 153; D26/43,
D26/45, 33, 37-38, 41, 48, 50-51; D13/107-108;
435/141-142; 604/1; 606/2, 2.5, 28, 161;
433/2, 31, 35, 50, 53, 3, 114, 141, 144, 29,
433/215; 362/119, 800, 802; D8/80, 83
See application file for complete search history.

(56) **References Cited**

U.S. PATENT DOCUMENTS

4,818,231	A *	4/1989	Steiner et al.	433/215
5,139,421	A *	8/1992	Verderber	433/31
6,159,005	A *	12/2000	Herold et al.	433/29
6,200,134	B1 *	3/2001	Kovac et al.	433/29
6,719,559	B2 *	4/2004	Cao	433/29
D494,678	S *	8/2004	Kemeny et al.	D24/152
D515,214	S *	2/2006	Jackson et al.	D24/176
D515,215	S *	2/2006	Wang	D24/176

7,119,515	B2 *	10/2006	Senn et al.	433/141
7,354,269	B2 *	4/2008	Duret et al.	433/29
D597,207	S *	7/2009	Kobayashi	D24/152
D599,018	S *	8/2009	Plank et al.	D24/152
2006/0008787	A1 *	1/2006	Hayman et al.	433/229
2006/0154209	A1 *	7/2006	Hayman et al.	433/215

FOREIGN PATENT DOCUMENTS

DE 40103074.1 8/2001

* cited by examiner

Primary Examiner—Freda S Nunn

Assistant Examiner—Wan Laymon

(74) *Attorney, Agent, or Firm*—Pamela L. Stewart

(57) **CLAIM**

The ornamental design for a light device, as shown and described.

DESCRIPTION

FIG. 1 is a perspective view of a light device showing the design;

FIG. 2 is a side view thereof;

FIG. 3 is a rear view thereof, showing on a reduced scale;

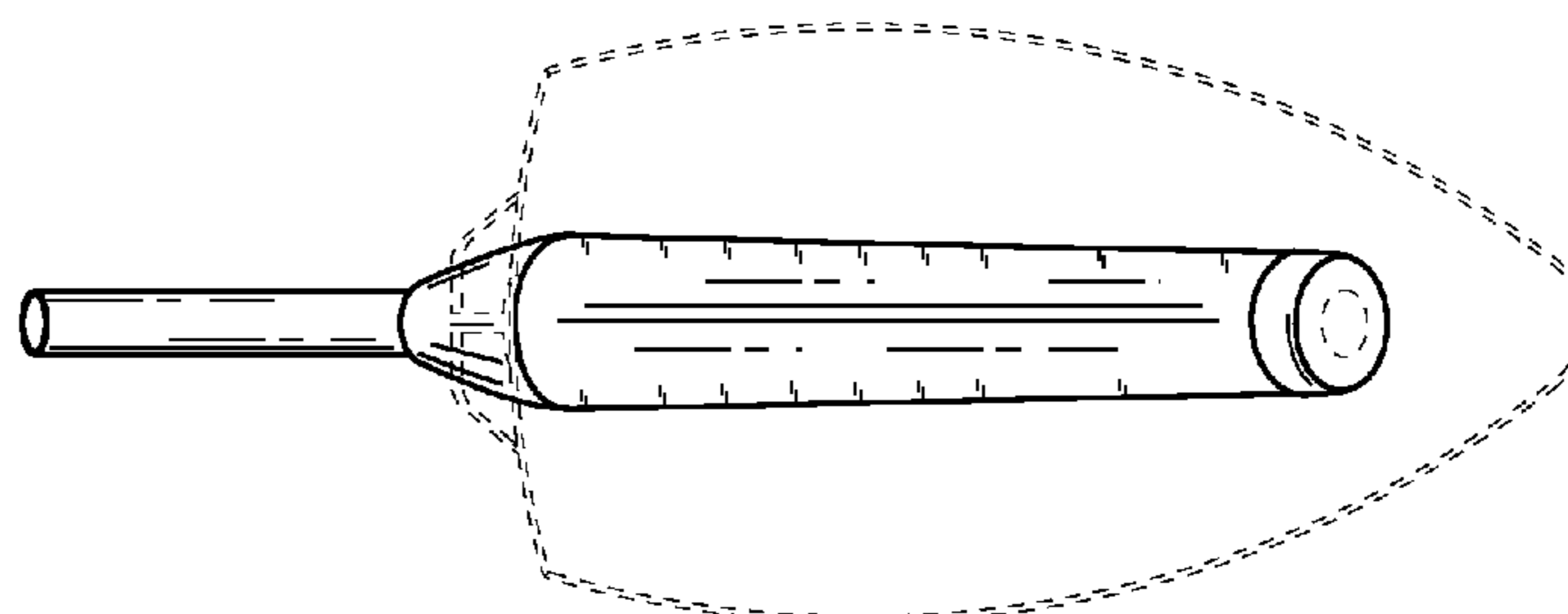
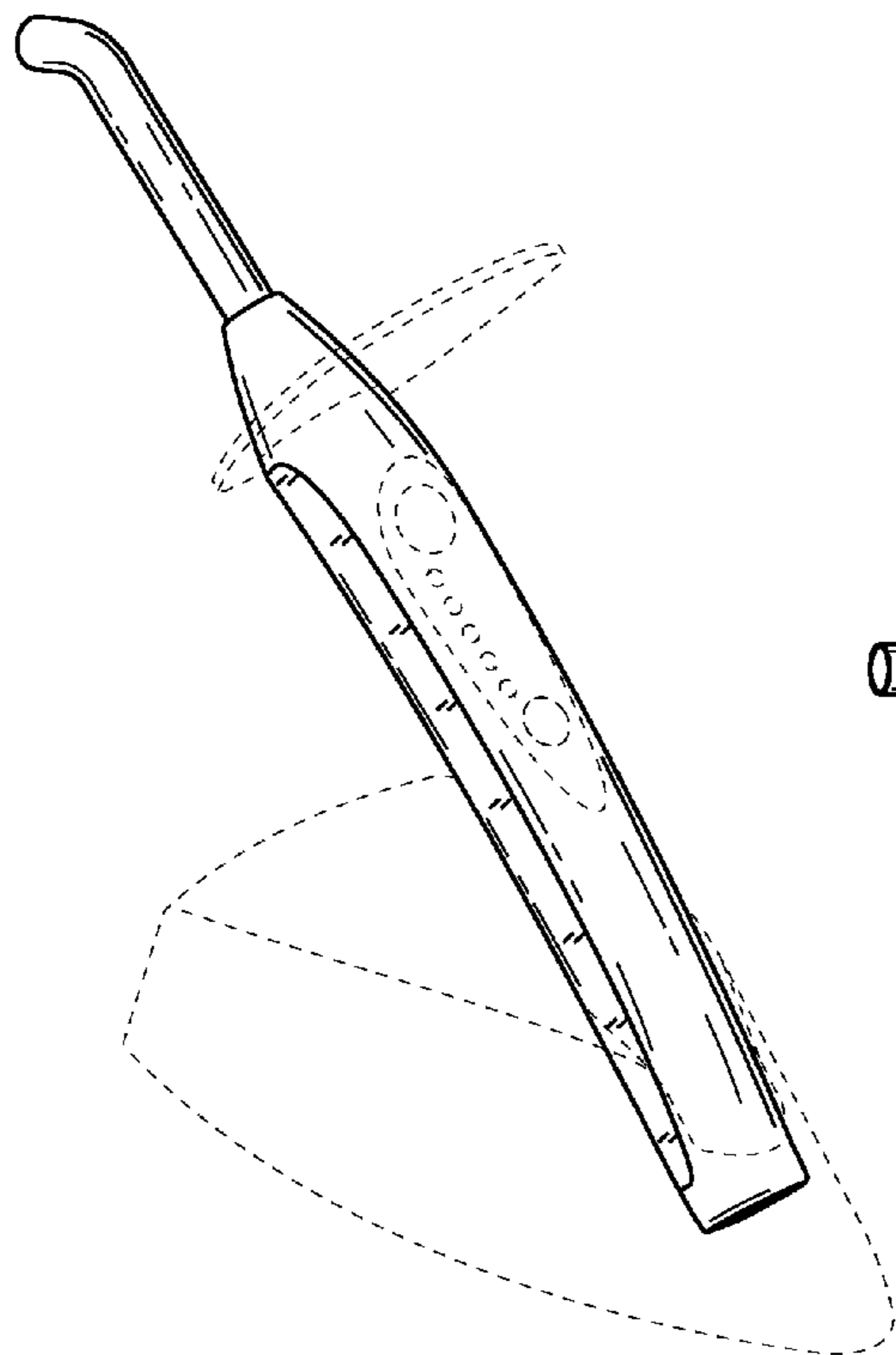
FIG. 4 is a front view thereof, showing on a reduced scale;

FIG. 5 is a top view thereof, showing on a reduced scale; and,

FIG. 6 is a bottom view thereof, showing on a reduced scale.

The broken line showing portions of the light device is included for the purpose of illustrating environmental structure and forms no part of the claimed design.

1 Claim, 2 Drawing Sheets



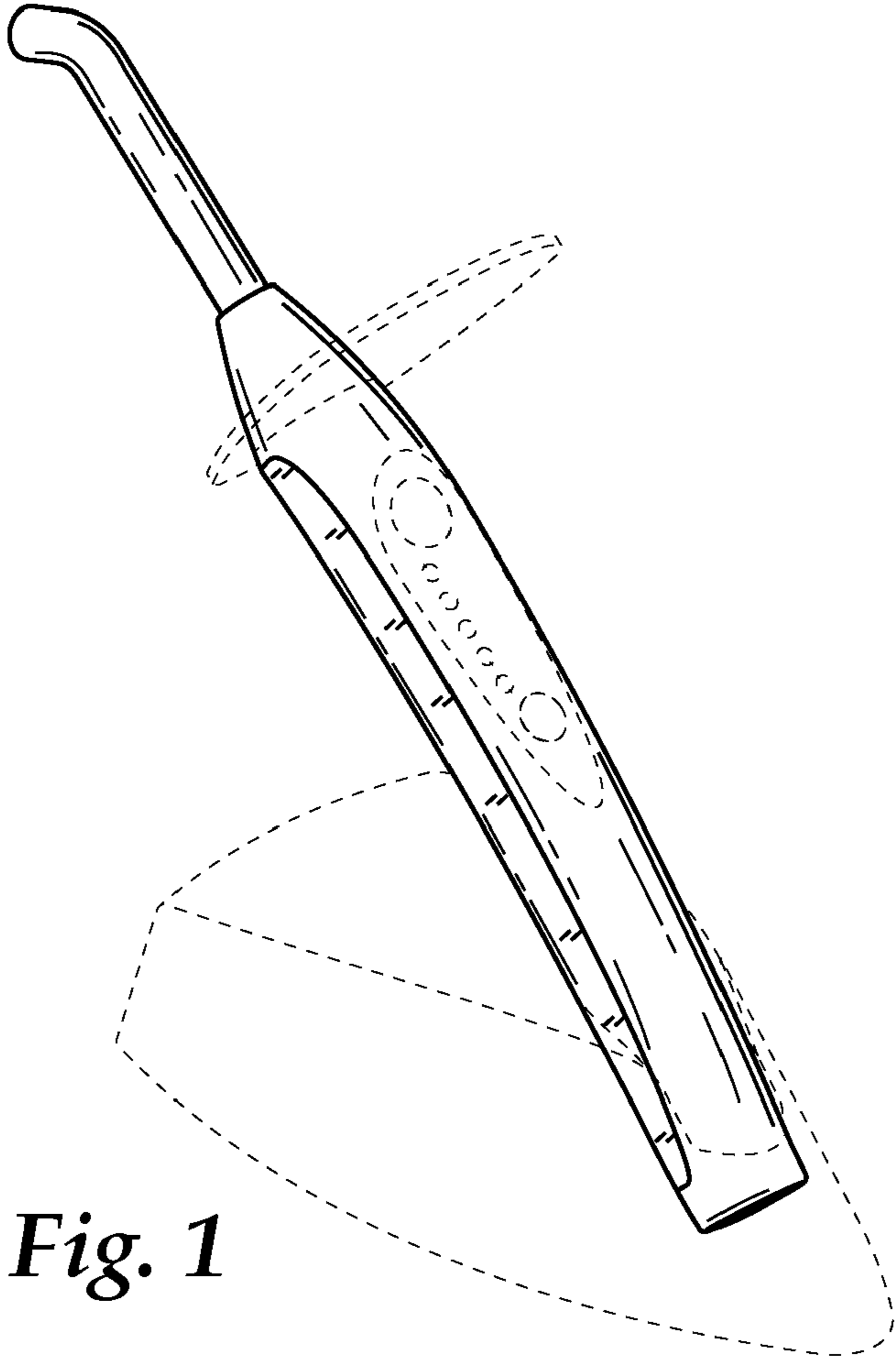


Fig. 1

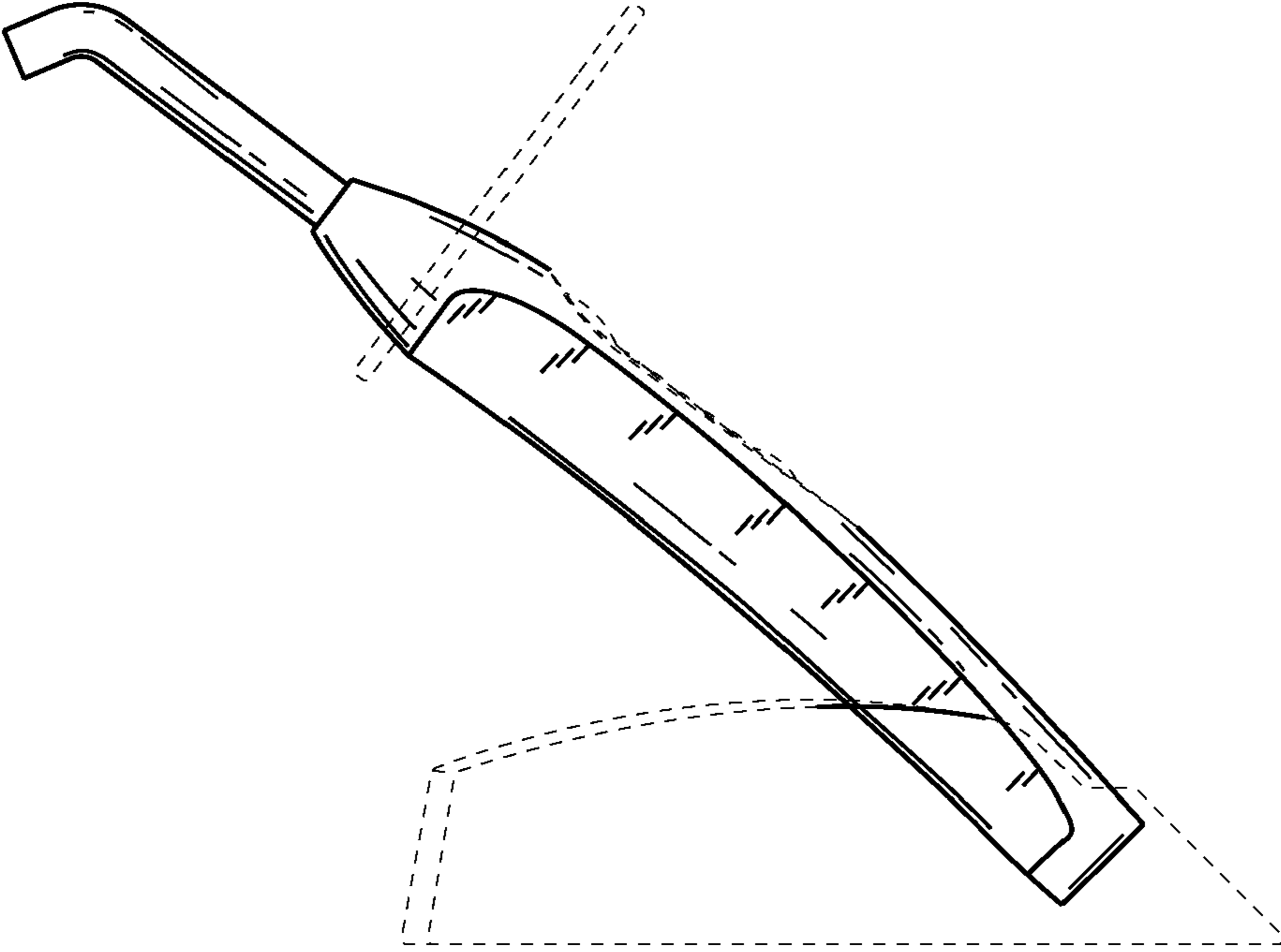


Fig. 2

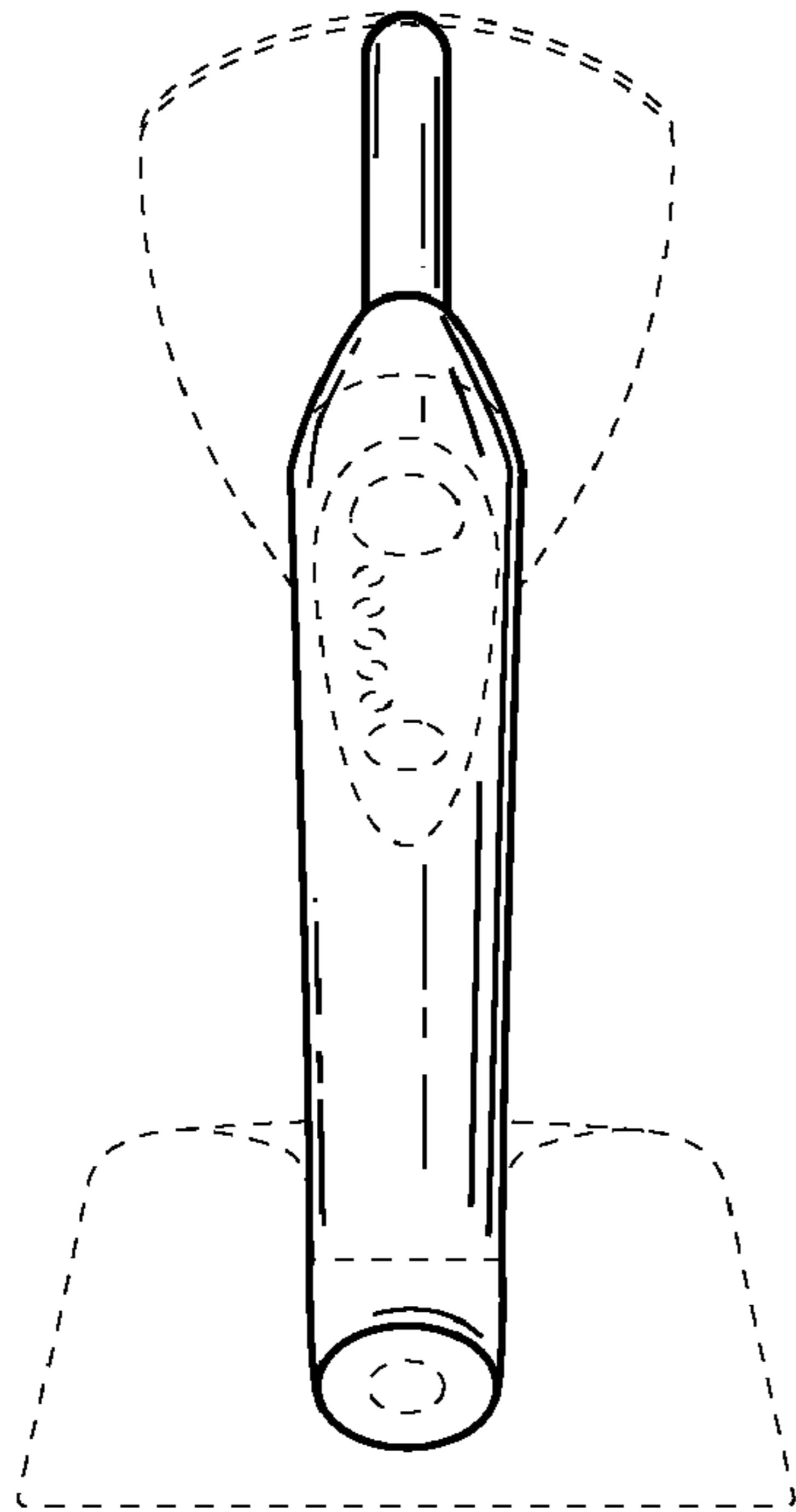


Fig. 3

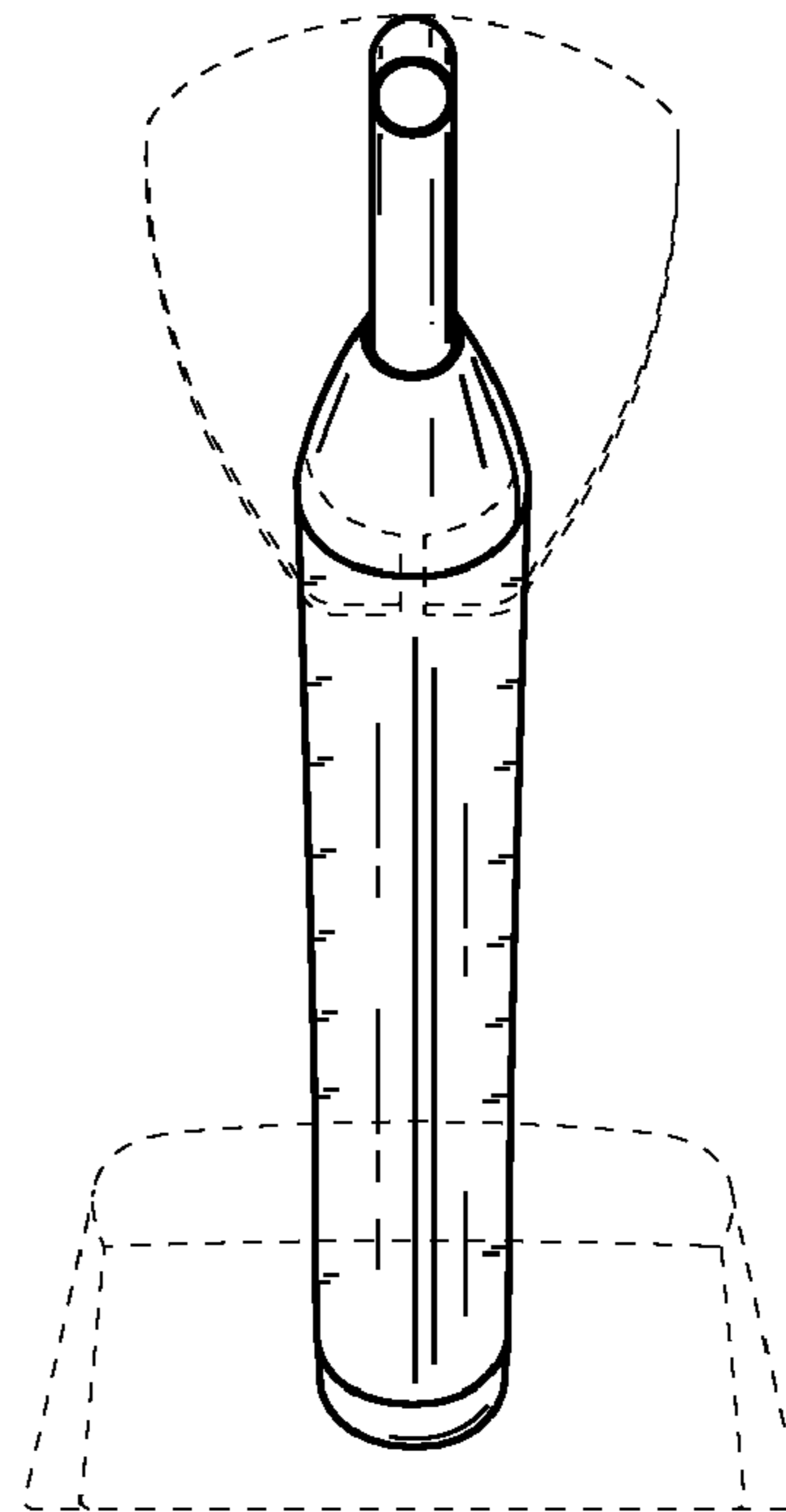


Fig. 4

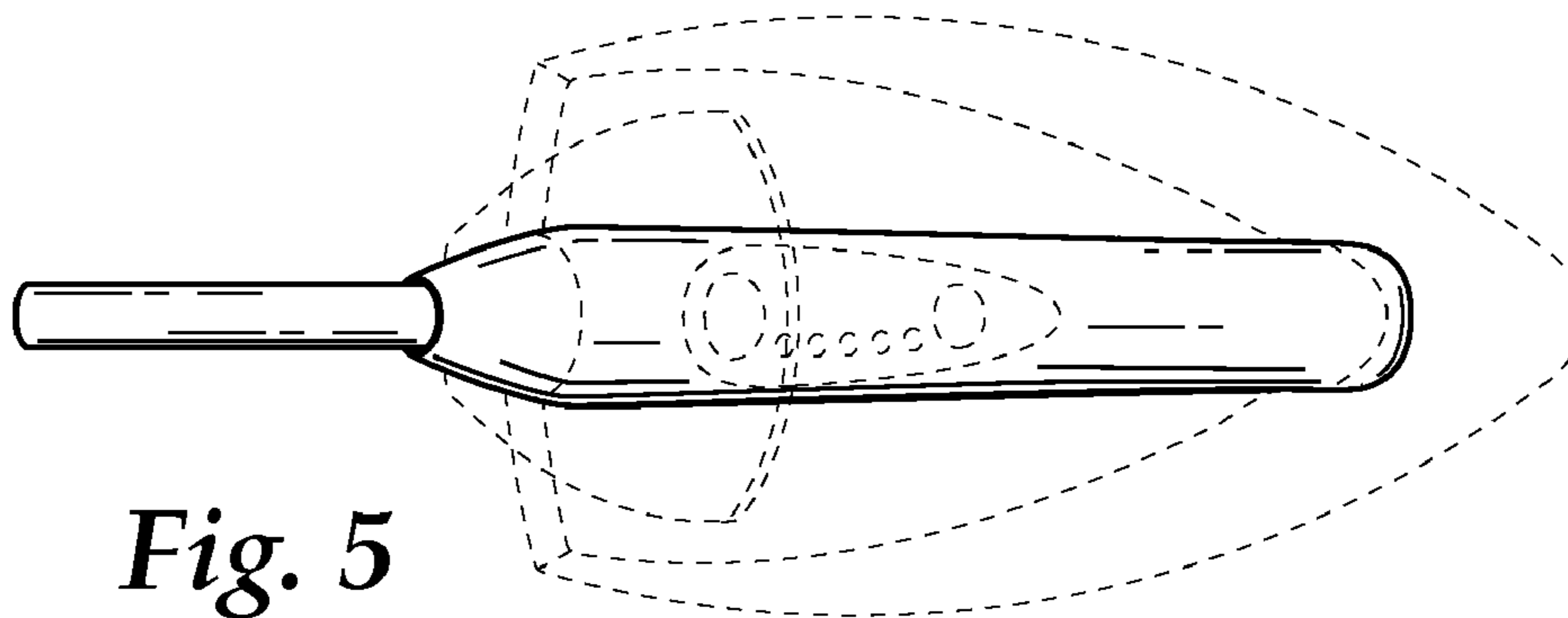


Fig. 5

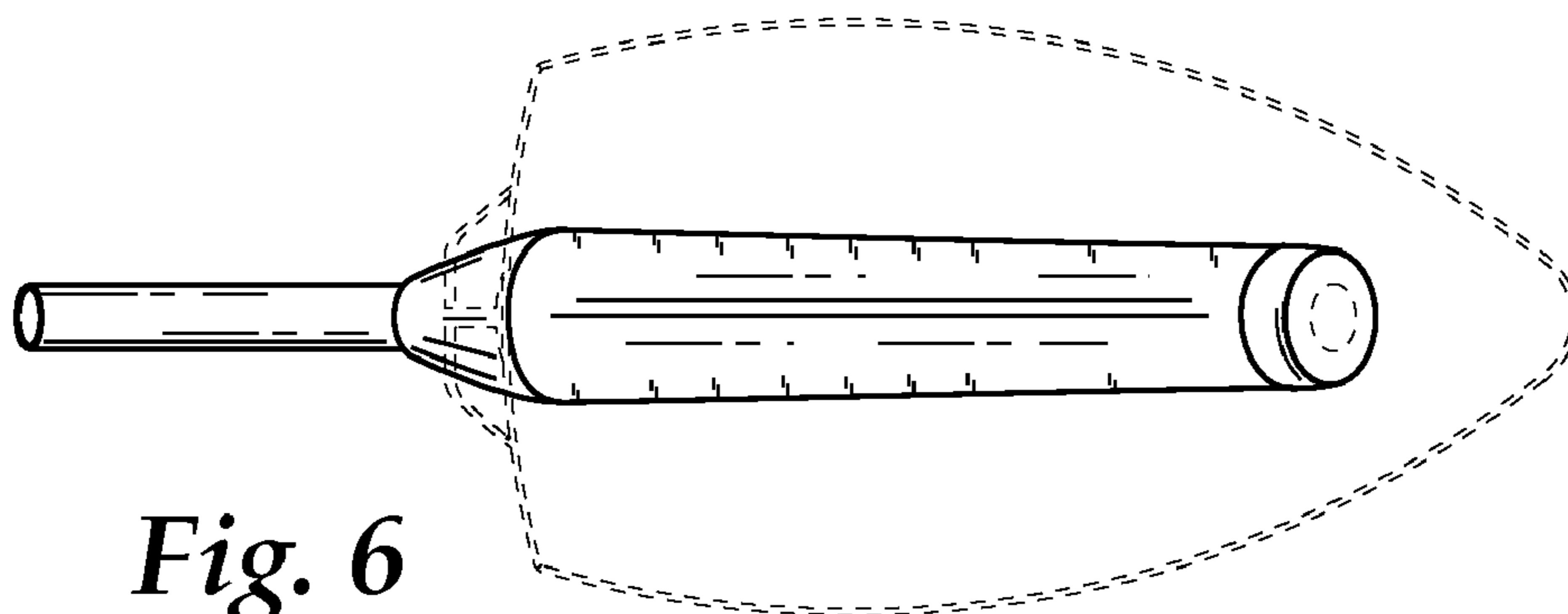


Fig. 6

UNITED STATES PATENT AND TRADEMARK OFFICE
CERTIFICATE OF CORRECTION

PATENT NO. : D627,471 S
APPLICATION NO. : 29/332823
DATED : November 16, 2010
INVENTOR(S) : Thomas Mueller

Page 1 of 1

It is certified that error appears in the above-identified patent and that said Letters Patent is hereby corrected as shown below:

Title Page, Column 1, Foreign Application Priority Data

add the following

-- (30) **Foreign Application Priority Data**
Aug. 28 2008 (EP) 992771-1/3,5/6 --

Title Page, Column 2

Line 8-10, Delete "The broken line showing portions of the light device is included for the purpose of illustrating environmental structure and forms no part of the claimed design." and insert -- The broken lines showing portions of the light device are included for the purpose of illustrating environmental structure and form no part of the claimed design. --, therefor.

Signed and Sealed this
Thirtieth Day of August, 2011



David J. Kappos
Director of the United States Patent and Trademark Office